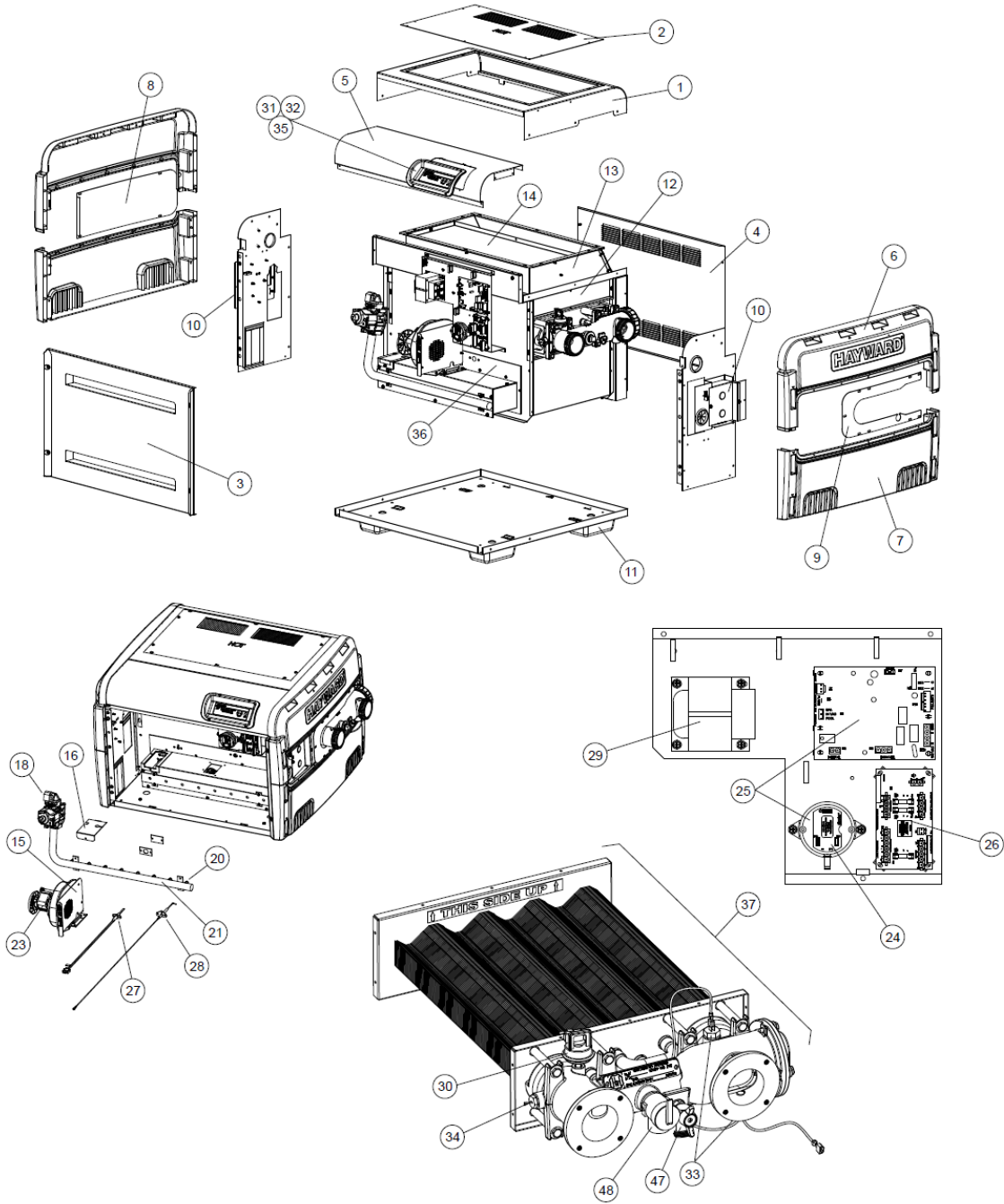


ASME Heater



Part Number	Description	Drawing Number
FDXLJKT1250A	JACKET TOP, GRAY, ASME - H250FD	1
FDXLJKT1400A	JACKET TOP, GRAY, ASME - H400FD	1
FDXLTF1250A	TOP FLUE COVER, GRAY, ASME - H250FD	2
FDXLTF1400A	TOP FLUE COVER, GRAY, ASME - H400FD	2
FDXLFAD1250A	FRONT DOOR ASSY, GRAY, ASME - H250FD	3
FDXLFAD1400A	FRONT DOOR ASSY, GRAY, ASME - H400FD	3
FDXLRAD1250A	REAR DOOR ASSY, GRAY, ASME - H250FD	4
FDXLRAD1400A	REAR DOOR ASSY, GRAY, ASME - H400FD	4
FDXLTFP1250A	TOP FRONT PANEL, GRAY, ASME - H250FD	5
FDXLTFP1400A	TOP FRONT PANEL, GRAY, ASME - H400FD	5
FDXLU1930	UPPER END CAP	6
FDXLU1930	LOWER END CAP	7
FDXLLTP1930	LEFT TRIM PANEL KIT	8
FDXLRTP1930	RIGHT TRIM PANEL KIT	9
FDXLLJB1930	LEFT JUNCTION BOX	10
FDXLRJB1930	RIGHT JUNCTION BOX	10
FDXLLJC1930	JUNCTION BOX COVER, LEFT	10
FDXLRJC1930	JUNCTION BOX COVER, RIGHT	10
FDXLPBL1930	BASE LEG	11
FDXLFCS1930	FLUE COLLECTOR SIDE PANEL	12
FDXLRGK1251	RAIN GUARD ASSEMBLY - H250FD	13
FDXLRGK1401	RAIN GUARD ASSEMBLY - H400FD	13
FDXLHBP1250	HEAT BARRIER PANEL - H250FD	14
FDXLHBP1400	HEAT BARRIER PANEL - H400FD	14
FDXLBBN1250	BLOWER INLET BAFFLE - H250FD	15
FDXLBBN1400	BLOWER INLET BAFFLE - H400FD	15
FDXLIAC1930	IGNITOR ACCESS COVER	16
FDXLGSV0001	GAS VALVE, NATURAL GAS	18
FDXLGSV0002	GAS VALVE, PROPANE GAS	18
FDXLBON1930	BURNER ORIFICE KIT, NATURAL GAS	20
FDXLBOP1930	BURNER ORIFICE KIT, PROPANE GAS	20
FDXLMAN1250	GAS MANIFOLD - H250FD	21
FDXLMAN1400	GAS MANIFOLD - H400FD	21
FDXLGCK1250NP	CONVERSION KIT, NA TO LP, QUICK-CHANGE - H250FD	21
FDXLGCK1250PN	CONVERSION KIT, LP TO NA, QUICK-CHANGE - H250FD	21
FDXLGCK1400NP	CONVERSION KIT, NA TO LP, QUICK-CHANGE - H400FD	21
FDXLGCK1400PN	CONVERSION KIT, LP TO NA, QUICK-CHANGE - H400FD	21
FDXLBWR1930	COMBUSTION BLOWER	23
FDXLBVS1930	BLOWER VACUUM SWITCH	24

Part Number	Description	Drawing Number
FDXLICB1930	INTEGRATED CONTROL BOARD	25
FDXLFWP1930	FIELD WIRING PANEL	26
FDXLIGN1930	IGNITOR	27
IDXLFLS1930	FLAME SENSOR	28
IDXL2TRF1930	TRANSFORMER	29
FDXLWPS1930	WATER PRESSURE SWITCH	30
IDXL2DB1930	DISPLAY BOARD ONLY	31
FDXLBKP1931	BEZEL & KEYPAD ASSEMBLY, ASME	32
FDXLHLI1930	HIGH LIMIT 135°F	33
FDXLTER1930	THERMISTOR	34
FDXLGSK1932	GASKET, BEZEL/TOP	35
FDXLGSK1934	GASKET, CC FRONT/AIR BOX - ALL MODELS	36
FDXLHXA1250A	HEAT EXCHANGER ASSY, ASME - H250FD	37
FDXLHXA1400A	HEAT EXCHANGER ASSY, ASME - H400FD	37
FDXLDRV1930A	DRAIN VALVE, ASME	47
CHXRLV1930	PRESSURE RELIEF VALVE	48