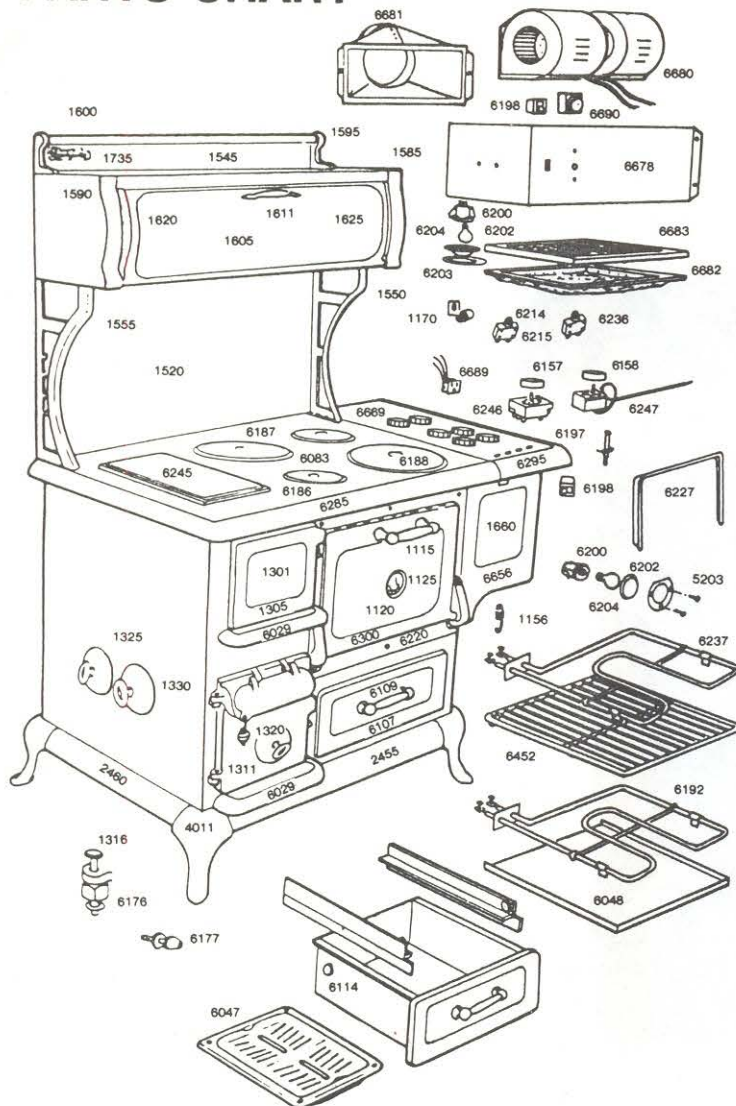


MODEL 6000-1 ELECTRIC RANGE PARTS CHART



- 1590 Left Cabinet Cast Corner
- 1595 Right Cast Cresting Corner
- 1600 Left Cast Cresting Corner
- 1605 Front Cabinet Door Panel
- 1611 Cabinet Door Handle
- 1620 Left Cabinet Hinge
- 1625 Right Cabinet Hinge
- 1660 Reservoir Front Insert Panel
- 1735 Logo With Clips
- 2455 Front of Base
- 2456 Rear of Base
- 2460 Right and Left of Base
- 4011 Base Legs
- 5203 Reservoir Front
- 6029 Ash Catch
- 6047 Broiler Pan (Large)
- 6048 Oven Drip Tray
- 6083 Stove Top
- 6107 Utility Drawer Frame
- 6109 Utility Drawer — Outer Panel
- 6114 Roller for Oven Drawer
- 6157 Switch Knob for Surface Element
- 6158 Switch Knob for Oven Control
- 6176 Hinge — Ash Door
- 6177 Striker — Ash Door
- 6186 Solid Element — Small
- 6187 Solid Element — Medium
- 6188 Solid Element — Large
- 6192 Oven Element
- 6197 Indicator Lights
- 6198 Oven and Cabinet Light Switch
- 6200 Light Socket with Tabs
- 6202 Oven Light Bulb — 40W
- 6203 Oven Lens Frame
- 6204 Oven Lens
- 6214 Circuit Breaker — 15A
- 6215 Circuit Breaker — 20A
- 6220 Black Porcelain Oven Front
- 6227 Oven Door Gasket with Clips
- 6236 Circuit Breaker — 30A
- 6237 Broiler Element
- 6245 Griddle Element
- 6246 Element Switch
- 6247 Oven/Broiler Control
- 6285 Curved Band — Cooking Surface
- 6295 Curved Band — Reservoir
- 6300 Frame Assembly — Oven Door
- 6452 Oven Rack
- 6669 Reservoir Top Plate
- 6678 Blower Wrapper
- 6680 Exhaust Blower
- 6681 Exhaust Adapter Boot to 4" Round
- 6682 Mesh Filter
- 6683 Charcoal Filter
- 6689 Blower Receptacle — 3 Wire
- 6690 Blower Speed Control with Knob & Nut
- 6731 Instructional Manual

6000-1 ELECTRIC RANGE PARTS LIST

- 1115 Oven Door Handle
- 1120 Oven Door Panel — Outer
- 1125 Oven Door Thermometer (Non Functional)
- 1156 Oven Door Spring — Right & Left
- 1170 Cabinet Spring Catch
- 1301 Fire Door Panel
- 1305 Fire Door Frame
- 1311 Ash Pan Door — Complete
- 1316 Ash Door Hinge — Pins
- 1320 Wire Spring Handle
- 1325 Cast Bell Damper Handle
- 1330 Bell Damper
- 1520 Splash Back
- 1545 Cresting Panel
- 1550 Right Cabinet Bracket
- 1550 Left Cabinet Bracket
- 1585 Right Cabinet Cast Corner

**NOTE: WHEN ORDERING PORCELAIN
PANELS, PLEASE SPECIFY COLOR.**