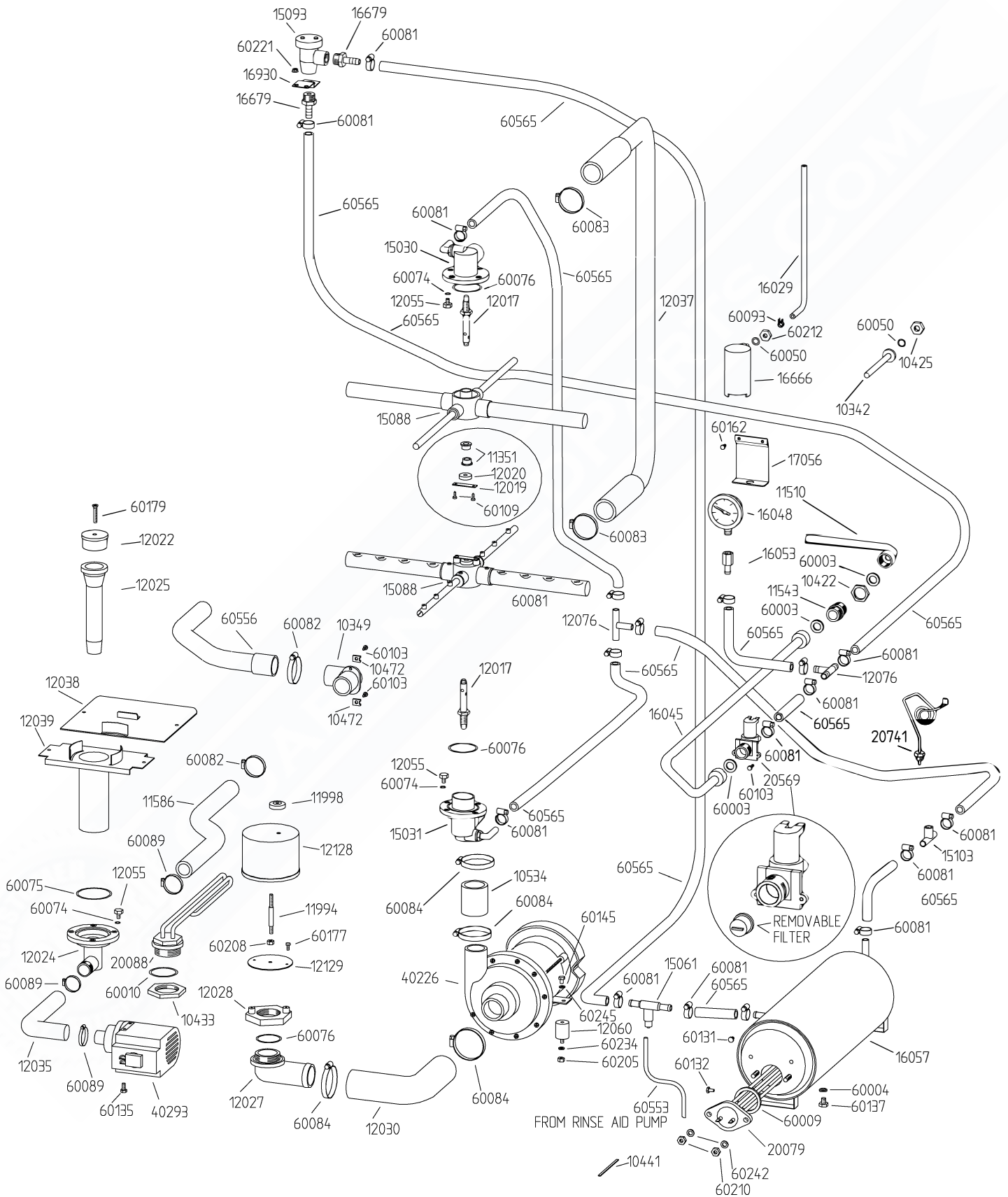
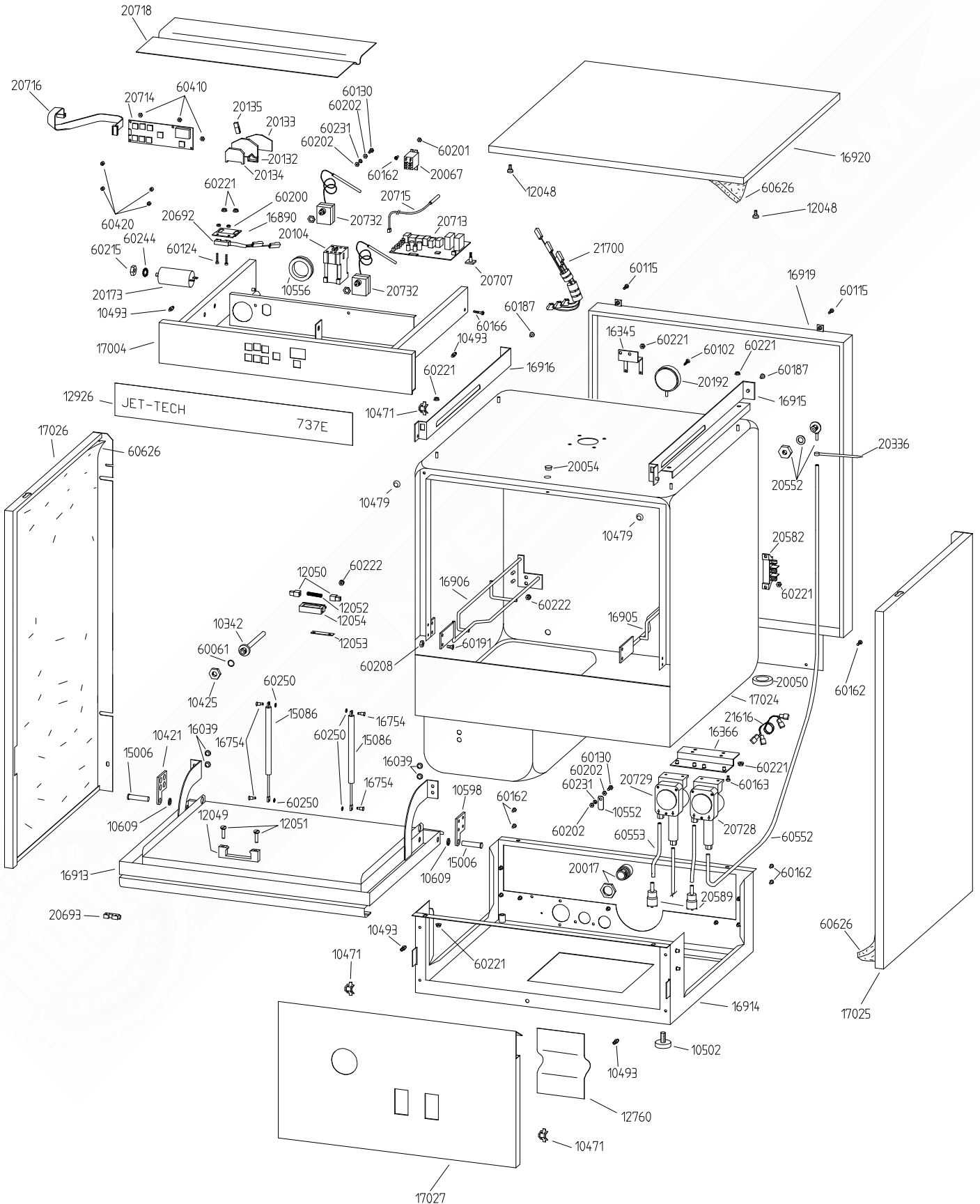


# 737E



# TAV. No 507 MOD. 737E



S.NO	LABEL NO. (EXPLODED VIEW)	MVP ITEM NO.	MVP ITEM NO. DESCRIPTION
1	10342	072419	PROBE TUBE
2	10349	072265	DRAIN ELBOW
3	10421	072003	DOOR HINGES
4	10422	072506	NUT
5	10425	072420	NUT FOR 10342
6	10433	072353	NUT FOR TANK ELEMENT
7	10435	072005	STAINLESS NUT
8	10441	078600	SPRING FOR THERMOSTAT PROBE BULB
9	10471	072009	BRACKETS FOR PANELS
10	10472	072289	SPRING
11	10479	072292	BUMPER
12	10493	072012	PIN FOR PANELS
13	10502	070502	FOOT FOR UNDERCOUNTER
14	10534	072016	HOSE
15	10552	070552	GROUND TAG
16	10556	072608	GROMMET FOR WIRING HARNESS
17	10598	072387	DOOR HINGE-RIGHT
18	10609	072021	WASHER
19	11351	072022	SLEEVE
20	11510	072199	FILL HOSE FLEX S/S 2M
21	11543	072505	CONNECTOR
22	11586	078624	HOSE FOR DRAIN PUMP OUTLET
23	11994	071994	ROD
24	11998	072214	SCREEN HOLD DOWN NUT
25	12007	072025	MANIFOLD-UPPER ARM
26	12008	072026	MANIFOLD-LOWER WASHARM
27	12017	072035	S/S AXLE FOR WASH ARMS
28	12019	072036	HOLD DOWN NUT BRACKET
29	12020	072037	HOLD DOWN NUT M8x1.25
30	12021	072038	PLASTING FITTING ELBOWS
31	12022	072039	OVERFLOW CAP 737-727
32	12024	072040	DRAIN MANIFOLD-TANK
33	12025	072041	OVER-FLOW TUBE 737-727
34	12027	072042	DRAIN ELBOW
35	12028	072043	DRAIN NUT
36	12030	072045	HOSE-WASH PUMP INLET
37	12035	072266	HOSE FOR 737 DRAIN PUMP INLET
38	12037	072046	HOSE-LOWER TO UPPER HUB
39	12038	072047	SCREEN SQR 737
40	12039	072048	SCREEN W/TUBE 737
41	12048	072384	PIVOT PIN
42	12049	072050	DOOR LATCH
43	12050	072051	DOOR PIN SWITCH
44	12051	070006	DOOR CATCH LOCKING
45	12052	072052	SPRING
46	12053	072426	SPACER PLATE
47	12054	072200	DOOR CATCH BOX
48	12055	072053	SCREW BOLT
49	12060	072054	MOTOR MOUNT-RUBBER
50	12074	072125	CENTER HUB FOR S/S WASH-ARMS
51	12076	072373	TEE CONNECTION FITTING
52	12128	072225	SCREEN RND 737 (PUMP)
53	12129	072270	DRAIN PLATE
54	12760	072761	FILM CF 50 A E
55	12957	072926	CONTROL PANEL DECAL FOR 737E see #12957
56	15006	072063	DOOR PIN
57	15030	072413	UPPER MANIFOLD
58	15031	072427	LOWER MANIFOLD 727,737
59	15061	078300	in-line venturi chemical injector
60	15086	070250	C-CLIP FOR #15086 DOOR SHOCK
61	15088	075088	STAINLESS STEEL WASH-ARM COMPLETE
62	15089	072932	END SCREW FOR 15089 STAINLESS STEEL RINSE ARM
63	15093	075093	VACUUM BREAKER see 44-1174
64	15103	075103	CONNECTOR PROBE TEMPERAT

65	15105	078611	THREADED MICROSWITCH HOUSING
66	16029	072118	HOSE FOR AIR TRAP-F14, NEW F18, F20
67	16039	076039	RUBBER BUMPER
68	16045	076045	TUBE 3/4-3/4 TRAY 600X400
69	16048	076053	BARB HOSE FITTING FOR #16048 FOR F-18DP 2012
70	16053	076053	BARB HOSE FITTING FOR #16048 FOR F-18DP 2012
71	16057	076057	BOYLER 737 BULKHEAD NSF
72	16073	078653	PLUG NYLON TFT 26X1,5
73	16074	078650	NUT NYLON 3/4 BLACK RO/3-4 N
74	16345	076345	MOUNTING BRACKET FOR PRESSURE SWITCH
75	16366	076366	DUAL-PUMP BRACKETS
76	16666	078160	AIR TRAP - STAINLESS
77	16679	072927	NIPPLE TO VACUUM BREAKER OUTLET X-33
78	16754	075086	GAS SHOCK FOR DOOR (requires 16754,60250)
79	16890	076890	SQUARE MAGNET SWITCH AT 50
80	16905	076905	RIGHT BASKET GUIDE AT 50
81	16906	076906	LEFT BASKET GUIDE AT 50
82	16913	076913	DOOR AT 50
83	16914	078625	BASE FOR WASH TANK 737E
84	16915	076915	RIGHT GUIDE AT 50
85	16916	076916	LEFT GUIDE AT 50
86	16919	076919	REAR PANEL AT 50
87	16920	076920	TOP AT 50 (WITH FOAM 60626)
88	16930	076930	FLASK FOR VALVE
89	17004	077004	PANEL TS 58 OMEGA ELECTRONICS
90	17024	077024	TANK AT 50
91	17025	077025	RIGHT LAT.PANEL AT 50 (WITH FOAM 60626)
92	17026	077026	LEFT LAT.PANEL AT 50 (WITH FOAM 60626)
93	17027	077027	PANEL JET-TECH 737 NSF
94	17056	078619	BRACKET FOR PRESSURE GAUGE
95	20017	072346	CABLE HOLDER
96	20050	070050	FAIR LEAD WITH DIAPHRAGM DG 29
97	20067	072207	RELAY 12A, 230V -AM
98	20104	072203	RELAY DISC.(REPLACED. BY #20104)
99	20132	072614	TERMINAL
100	20133	072377	PLATE 249-116
101	20134	072615	TERMINAL 281-313
102	20135	072616	terminal shunt/link
103	20173	072080	CAPACITOR 16uf
104	20192	072083	PRESSURE SWITCH 727,737,X-32 100/18
105	20332	078615	SPIRAL
106	20336	070336	CLIP
107	20337	070337	CLIP NYLON
108	20532	072900	TERMINAL BLOCK F-18, F-20, X32, 737
109	20552	072475	DETERGENT INJECTOR FITTING
110	20569	072068	(WAS) changed in 20569 (IS)
111	20582	072449	REAR TERMINAL BLOCK
112	20589	072516	DETERGENT PUMP FILTER
113	20692	070692	MAGNETIC SWITCH E5121VDA0196
114	20693	070693	MAGNET M302NCBCNC42
115	20707	070707	SUPPORT FOR ELECTRONIC CARD 727/737/757
116	20713	070713	ELECTRONIC CARD POWER
117	20714	070714	ELECTR CARD CONTROL AND VIEW
118	20715	070715	PROBE TEMPERATURE 2MT ELECTR
119	20716	070716	CONNECTION CABLE ELECTR CARD
120	20718	070718	MYLARD PROTECTION THICKN 0.10 (38cmx18cm)
121	20728	070728	AUTOMATIC DETERG.DOSER GM 252
122	20729	070729	AUTOMATIC RINSE DOSER G 82
123	20732	070673	(use 20732 07-0674) SAFETY THERMOSTAT
124	20741	070741	TERMINAL FV110
125	20769	078605	NUT SEKO F.6MM 0000061001
126	20779	078616	SHRINK TUBING D.6,4
127	20780	078617	FILTER UL
128	20803	079958	BOILER HEATING ELEMENT

129	20806	079959	TANK HEATING ELEMENT	193	60659	070659	EXPANDED 85X10X10X3
130	21616	071616	WIRING HARNESS FOR DETERGENT/RINSE PUMPS	194	60675	070675	EXPANDED 87X42X3 K20
131	21700	071700	LOOM 737 E DP	195	10342	072419	PROBE TUBE
132	30049	070049	DISH BASKET 50X50	196	10349	072265	DRAIN ELBOW
133	30105	070105	BASKET F-18 BLUE	197	10421	072003	DOOR HINGES
134	40224	070224	MOTOR PUMP	198	10422	072506	NUT
135	40292	072738	DRAIN PUMP 220V/50Hz See 40093	199	10425	072420	NUT FOR 10342
136	60003	072316	GASKET	200	10433	072353	NUT FOR TANK ELEMENT
137	60004	072317	GASKET 15X10X2	201	10435	072005	STAINLESS NUT
138	60007	070007	WASHER TEFLON 15X10X9	202	10441	078600	SPRING FOR THERMOSTAT PROBE BULB
139	60009	072093	GASKET	203	10471	072009	BRACKETS FOR PANELS
140	60010	072713	O-RING	204	10472	072289	SPRING
141	60012	072094	GASKET, DOOR SWITCH ACTUATOR	205	10479	072292	BUMPER
142	60050	072095	O-RING	206	10493	072012	PIN FOR PANELS
143	60074	072319	O-RING	207	10502	070502	FOOT FOR UNDERCOUNTER
144	60075	072100	O-RING	208	10534	072016	HOSE
145	60076	072264	ORING GASKET FOR WASH ARM SUPPORT	209	10552	070552	GROUND TAG
146	60081	072617	MECHANICAL CLIP 2CM	210	10556	072608	GROMMET FOR WIRING HARNESS
147	60082	072618	CLIP	211	10598	072387	DOOR HINGE-RIGHT
148	60083	072619	MECHANICAL COLLAR, DRAIN 15633	212	10609	072021	WASHER
149	60084	072620	MECHANICAL COLLAR, DRAIN 10545-15546	213	11351	072022	SLEEVE
150	60089	072591	CLIP	214	11510	072199	FILL HOSE FLEX S/S 2M
151	60093	070093	CLAMP	215	11543	072505	CONNECTOR
152	60102	072621	SCREW	216	11586	078624	HOSE FOR DRAIN PUMP OUTLET
153	60103	072320	SCREW	217	11994	071994	ROD
154	60109	072103	SCREWS S/S (WASH ARM)	218	11998	072214	SCREEN HOLD DOWN NUT
155	60124	070124	SCREW 3MAX30	219	12007	072025	MANIFOLD-UPPER ARM
156	60130	072343	SCREW FOR 20191	220	12008	072026	MANIFOLD-LOWER WASHARM
157	60131	072370	SCREW	221	12017	072035	S/S AXLE FOR WASH ARMS
158	60132	072321	SCREW	222	12019	072036	HOLD DOWN NUT BRACKET
159	60135	072104	SCREWS	223	12020	072037	HOLD DOWN NUT M8x1.25
160	60137	072322	SCREW	224	12021	072038	PLASTING FITTING ELBOWS
161	60145	070145	SCREW 6MA X 8	225	12022	072039	OVERFLOW CAP 737-727
162	60163	070163	SCREW	226	12024	072040	DRAIN MANIFOLD-TANK
163	60166	072628	SCREW	227	12025	072041	OVER-FLOW TUBE 737-727
164	60179	072107	S/S SCREWS FOR #12025	228	12027	072042	DRAIN ELBOW
165	60187	070187	SCREW 4MAX10	229	12028	072043	DRAIN NUT
166	60188			230	12030	072045	HOSE-WASH PUMP INLET
167	60191	072108	SCREWS MACHINED ALLEN 4mm (HINGES)	231	12035	072266	HOSE FOR 737 DRAIN PUMP INLET
168	60194	070194	SCREW 4MAX30	232	12037	072046	HOSE-LOWER TO UPPER HUB
169	60200	072630	NUT	233	12038	072047	SCREEN SQR 737
170	60201	072631	NUT	234	12039	072048	SCREEN W/TUBE 737
171	60202	072345	NUT FOR 60130 (20191)	235	12048	072384	PIVOT PIN
172	60208	072325	NUT	236	12049	072050	DOOR LATCH
173	60210	072110	NUTS	237	12050	072051	DOOR PIN SWITCH
174	60212	072263	NUT FOR AIR TRAP	238	12051	070006	DOOR CATCH LOCKING
175	60215	072633	NUT	239	12052	072052	SPRING
176	60222	070222	NUT DIN 6923 5MA INOX	240	12053	072426	SPACER PLATE
177	60231	072344	LOCK WASHER FOR 20191	241	12054	072200	DOOR CATCH BOX
178	60234	072236	S/S WASHER	242	12055	072053	SCREW BOLT
179	60242	072111	LOCK NUT	243	12060	072054	MOTOR MOUNT-RUBBER
180	60244	072635	WASHER	244	12074	072125	CENTER HUB FOR S/S WASH-ARMS
181	60250	070250	C-CLIP FOR #15086 DOOR SHOCK	245	12076	072373	TEE CONNECTION FITTING
182	60410	070410	PLASTIC NUT M3	246	12128	072225	SCREEN RND 737 (PUMP)
183	60420	070420	SPACER NYLON 7X4X6	247	12129	072270	DRAIN PLATE
184	60540	078607	POLYAMIDE TUBING 5X7MM	248	12760	072761	FILM CF 50 A E
185	60552	072741	RED DETERGENT TUBE 5X7 (m)	249	12957	072926	CONTROL PANEL DECAL FOR 737E see #12957
186	60553	072742	BLUE RINSE TUBE 5X7 (m)	250	15006	072063	DOOR PIN
187	60556	072232	DRAIN HOSE- DP 27mm	251	15030	072413	UPPER MANIFOLD
188	60565	072116	HOSE-RINSE SECTION- PER METER	252	15031	072427	LOWER MANIFOLD 727,737
189	60596	070596	BAG	253	15061	078300	in-line venturi chemical injector
190	60626	072332	MIDDLE FOAM FOR SIDE PANEL 737	254	15086	070250	C-CLIP FOR #15086 DOOR SHOCK
191	60655	072140	F18 Package F18/737,X-32 Jet-Tech	255	15088	075088	STAINLESS STEEL WASH-ARM COMPLETE
192	60657	070657	PEDESTAL F 18/737 JET-TECH	256	15089	072932	END SCREW FOR 15089 STAINLESS STEEL RINSE ARM

257	15093	075093	VACUUM BREAKER see 44-1174	321	20780	078617	FILTER UL
258	15103	075103	CONNECTOR PROBE TEMPERAT	322	20803	079958	BOILER HEATING ELEMENT
259	15105	078611	THREADED MICROWITCH HOUSING	323	20806	079959	TANK HEATING ELEMENT
260	16029	072118	HOSE FOR AIR TRAP-F14, NEW F18, F20	324	21616	071616	WIRING HARNESS FOR DETERGENT/RINSE PUMPS
261	16039	076039	RUBBER BUMPER	325	21700	071700	LOOM 737 E DP
262	16045	076045	TUBE 3/4-3/4 TRAY 600X400	326	30049	070049	DISH BASKET 50X50
263	16048	076053	BARB HOSE FITTING FOR #16048 FOR F-18DP 2012	327	30105	070105	BASKET F-18 BLUE
264	16053	076053	BARB HOSE FITTING FOR #16048 FOR F-18DP 2012	328	40226	072091	WASH PUMP 737
265	16057	076057	BOYLER 737 BULKHEAD NSF	329	40293	078626	DRAIN PUMP SEE #40229
266	16073	078653	PLUG NYLON TFT 26X1,5	330	60003	072316	GASKET
267	16074	078650	NUT NYLON 3/4 BLACK RO/3-4 N	331	60004	072317	GASKET 15X10X2
268	16345	076345	MOUNTING BRACKET FOR PRESSURE SWITCH	332	60007	070007	WASHER TEFLON 15X10X9
269	16366	076366	DUAL-PUMP BRACKETS	333	60009	072093	GASKET
270	16666	078160	AIR TRAP - STAINLESS	334	60010	072713	O-RING
271	16679	072927	NIPPLE TO VACUUM BREAKER OUTLET X-33	335	60012	072094	GASKET, DOOR SWITCH ACTUATOR
272	16754	075086	GAS SHOCK FOR DOOR (requires 16754,60250)	336	60050	072095	O-RING
273	16890	076890	SQUARE MAGNET.SWITCH AT 50	337	60074	072319	O-RING
274	16905	076905	RIGHT BASKET GUIDE AT 50	338	60075	072100	O-RING
275	16906	076906	LEFT BASKET GUIDE AT 50	339	60076	072264	ORING GASKET FOR WASH ARM SUPPORT
276	16913	076913	DOOR AT 50	340	60081	072617	MECHANICAL CLIP 2CM
277	16914	078625	BASE FOR WASH TANK 737E	341	60082	072618	CLIP
278	16915	076915	RIGHT GUIDE AT 50	342	60083	072619	MECHANICAL COLLAR, DRAIN 15633
279	16916	076916	LEFT GUIDE AT 50	343	60084	072620	MECHANICAL COLLAR, DRAIN 10545-15546
280	16919	076919	REAR PANEL AT 50	344	60089	072591	CLIP
281	16920	076920	TOP AT 50 (WITH FOAM 60626)	345	60093	070093	CLAMP
282	16930	076930	FLASK FOR VALVE	346	60102	072621	SCREW
283	17004	077004	PANEL TS 58 OMEGA ELECTRONICS	347	60103	072320	SCREW
284	17024	077024	TANK AT 50	348	60109	072103	SCREWS S/S (WASH ARM)
285	17025	077025	RIGHT LAT.PANEL AT 50 (WITH FOAM 60626)	349	60124	070124	SCREW 3MAX30
286	17026	077026	LEFT LAT.PANEL AT 50 (WITH FOAM 60626)	350	60130	072343	SCREW FOR 20191
287	17027	077027	PANEL JET-TECH 737 NSF	351	60131	072370	SCREW
288	17056	078619	BRACKET FOR PRESSURE GAUGE	352	60132	072321	SCREW
289	20017	072346	CABLE HOLDER	353	60135	072104	SCREWS
290	20050	070050	FAIR LEAD WITH DIAPHRAGM DG 29	354	60137	072322	SCREW
291	20067	072207	RELAY 12A, 230V -AM	355	60145	070145	SCREW 6MA X 8
292	20104	072203	RELAY DISC.(REPLACED. BY #20104)	356	60163	070163	SCREW
293	20132	072614	TERMINAL	357	60166	072628	SCREW
294	20133	072377	PLATE 249-116	358	60179	072107	S/S SCREWS FOR #12025
295	20134	072615	TERMINAL 281-313	359	60187	070187	SCREW 4MAX10
296	20135	072616	terminal shunt/link	360	60188		
297	20173	072080	CAPACITOR 16uf	361	60191	072108	SCREWS MACHINED ALLEN 4mm (HINGES)
298	20192	072083	PRESSURE SWITCH 727,737,X-32 100/18	362	60194	070194	SCREW 4MAX30
299	20332	078615	SPIRAL	363	60200	072630	NUT
300	20336	070336	CLIP	364	60201	072631	NUT
301	20337	070337	CLIP NYLON	365	60202	072345	NUT FOR 60130 (20191)
302	20532	072900	TERMINAL BLOCK F-18, F-20, X32, 737	366	60208	072325	NUT
303	20552	072475	DETERGENT INJECTOR FITTING	367	60210	072110	NUTS
304	20569	072068	(WAS) changed in 20569 (IS)	368	60212	072263	NUT FOR AIR TRAP
305	20582	072449	REAR TERMINAL BLOCK	369	60215	072633	NUT
306	20589	072516	DETERGENT PUMP FILTER	370	60222	070222	NUT DIN 6923 5MA INOX
307	20692	070692	MAGNETIC SWITCH E5121VDA0196	371	60231	072344	LOCK WASHER FOR 20191
308	20693	070693	MAGNET M302NCBCNC42	372	60234	072236	S/S WASHER
309	20707	070707	SUPPORT FOR ELECTRONIC CARD 727/737/757	373	60242	072111	LOCK NUT
310	20713	070713	ELECTRONIC CARD POWER	374	60244	072635	WASHER
311	20714	070714	ELECTR CARD CONTROL AND VIEW	375	60250	070250	C-CLIP FOR #15086 DOOR SHOCK
312	20715	070715	PROBE TEMPERATURE 2MT ELECTR	376	60410	070410	PLASTIC NUT M3
313	20716	070716	CONNECTION CABLE ELECTR CARD	377	60420	070420	SPACER NYLON 7X4X6
314	20718	070718	MYLARD PROTECTION THICKN 0.10 (38cmx18cm)	378	60540	078607	POLYAMIDE TUBING 5X7MM
315	20728	070728	AUTOMATIC DETERG.DOSER GM 252	379	60552	072741	RED DETERGENT TUBE 5X7 (m)
316	20729	070729	AUTOMATIC RINSE DOSER G 82	380	60553	072742	BLUE RINSE TUBE 5X7 (m)
317	20732	070673	(use 20732 07-0674) SAFETY THERMOSTAT	381	60556	072232	DRAIN HOSE- DP 27mm
318	20741	070741	TERMINAL FV110	382	60565	072116	HOSE-RINSE SECTION- PER METER
319	20769	078605	NUT SEKO F.6MM 0000061001	383	60596	070596	BAG
320	20779	078616	SHRINK TUBING D.6,4	384	60626	072332	MIDDLE FOAM FOR SIDE PANEL 737
				385	60655	072140	F18 Package F18/737,X-32 Jet-Tech
				386	60657	070657	PEDESTAL F 18/737 JET-TECH
				387	60659	070659	EXPANTED 85X10X10X3
				388	60675	070675	EXPANTED 87X42X3 K20