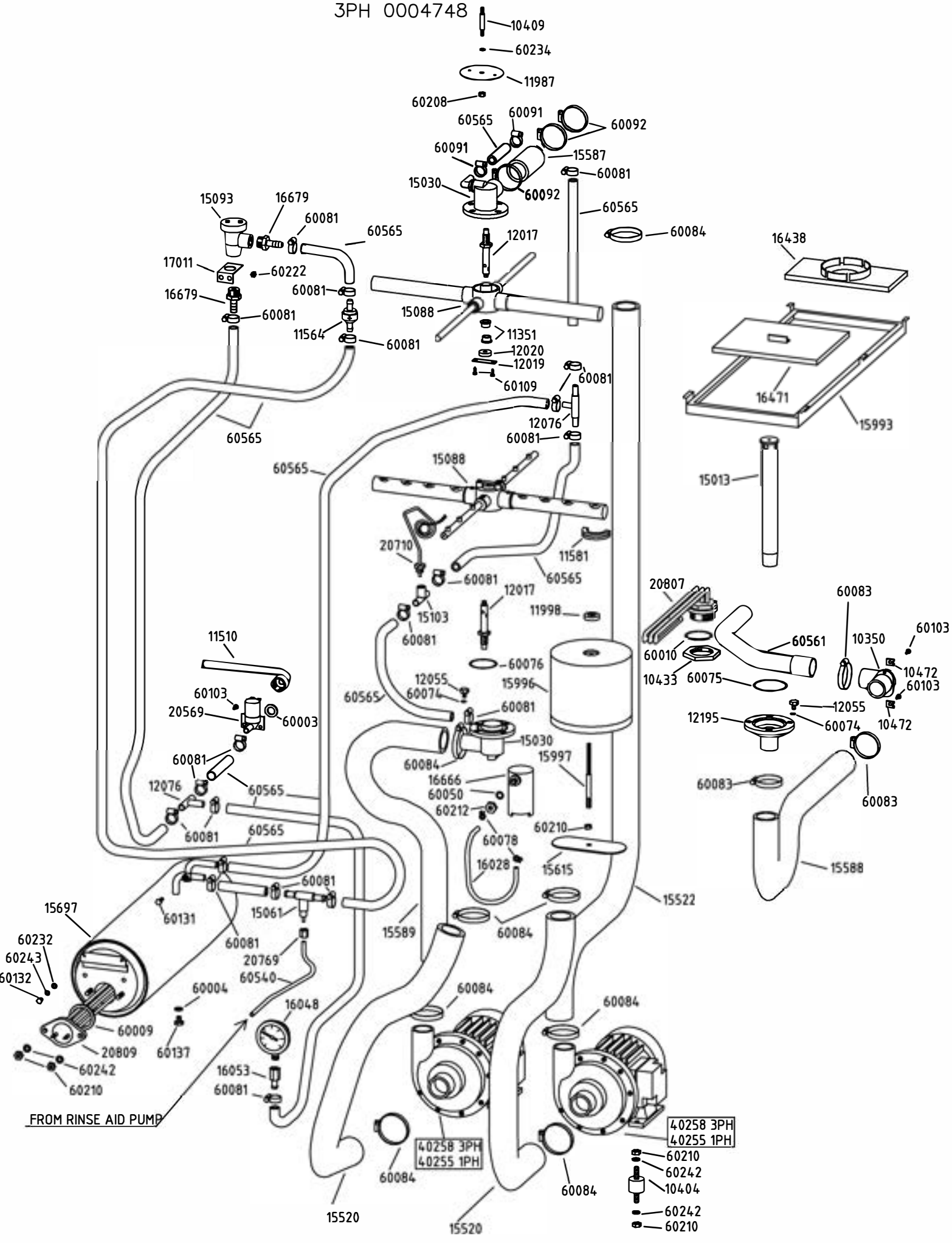
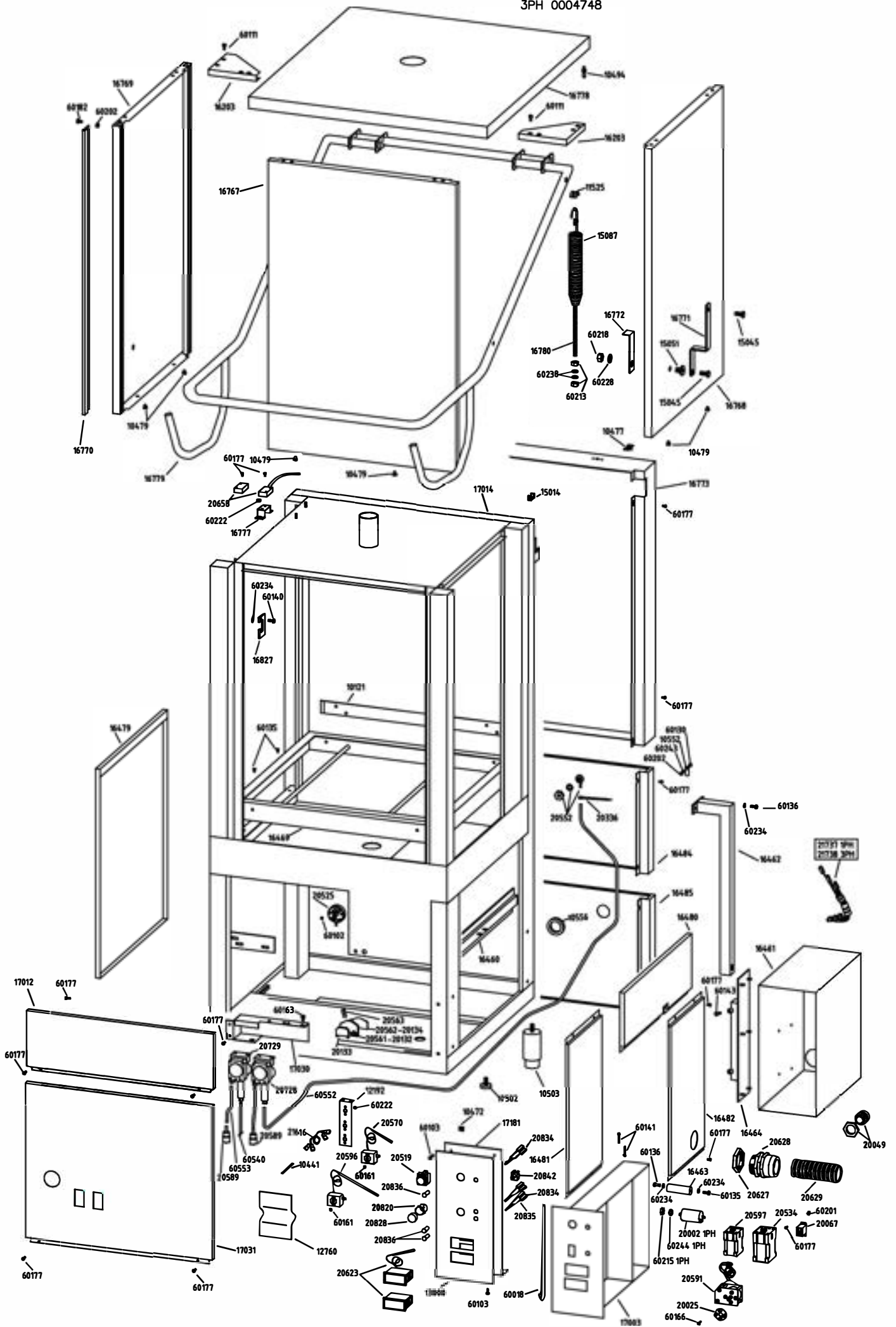


SEPTEMBER 2017 SN: 1PH 0004662
3PH 0004748





| XV NO. | ITEM NO. | ITEM NO. DESC. |
|--------|----------|--------------------------------|
| 10121 | 070121 | BASKET GUIDE |
| 10350 | 071035 | CONNECTOR |
| 10404 | 072558 | ANTI-VIBRATION |
| 10409 | 072559 | ROD FILTER |
| 10433 | 072353 | NUT |
| 10441 | 078600 | SPRING F.BULB PROBE THERMOSTAT |
| 10472 | 072289 | SPRING |
| 10477 | 070477 | SPRING |
| 10479 | 072292 | BUFFER |
| 10494 | 072013 | PIVOT |
| 10502 | 070502 | ADJUSTABLE FOOT |
| 10503 | 072349 | ADJUSTABLE FOOT |
| 10552 | 070552 | PLATE |
| 10556 | 072608 | FAIR LEAD |
| 11351 | 072022 | BUSH |
| 11510 | 072199 | TUBE |
| 11525 | 072283 | SPACER |
| 11564 | 071564 | NOT RETURN VALVE |
| 11581 | 071581 | HALF FAIR LEAD |
| 11987 | 071987 | DISK |
| 11998 | 072214 | NUT |
| 12007 | 072025 | SUPPORT |
| 12017 | 072035 | PIVOT |
| 12019 | 072036 | PLATE |
| 12020 | 072037 | NUT |
| 12021 | 072038 | CONNECTOR |
| 12055 | 072053 | SCREW |
| 12074 | 072125 | HUB |
| 12076 | 072373 | MANIFOLD |
| 12192 | 072192 | SQUARE |
| 12195 | 072226 | CONNECTOR |
| 12760 | 072761 | TRANSPARENT FILM 110X150 |
| 13000 | 075200 | FILM 747 JET-TECH |
| 15013 | 072219 | DRAIN PLUG DS 1200 |
| 15014 | 072568 | LEVER CAPOTE SUPPORT DS 1200 |
| 15030 | 072413 | KIT SUPERIOR SUPPORT ARM |
| 15045 | 072572 | PIVOT 767 |
| 15051 | 072576 | BLOCK DOOR 767 |
| 15061 | 078300 | CONNECTOR |
| 15087 | 075087 | SPRING FOR DOOR 767 |
| 15088 | 075088 | WASH/RINSE ARM 50-1200 |
| 15089 | 075089 | WASH/RINSE ARM |
| 15093 | 075093 | ANTI REFLUX DEVICE X-33 |
| 15103 | 075103 | CONNECTOR PROBE TEMPERAT.NSF |
| 15520 | 072354 | TUBE DS 1200 |
| 15522 | 072355 | TUBE |
| 15587 | 072580 | CONNECTOR TUBE DS 1200 |
| 15588 | 072356 | TUBE DS 1200 |
| 15589 | 072357 | TUBE DS 1200 |

| | | |
|-------|--------|--------------------------------|
| 15615 | 075615 | SLOT DS 1200 |
| 15697 | 072517 | BOYLER DS 1200 THERMOMETER |
| 15993 | 072485 | CHASSIS SUP.BEFORE FIL.CF 1000 |
| 15996 | 072488 | FILTER CF 1000 WITH FILTERS |
| 15997 | 072489 | ROD FILTER CF 1000 W.FILTERS |
| 16028 | 072950 | TUBE FOR PRESSURE SWITCH 2001 |
| 16048 | 079031 | MANOMETER |
| 16053 | 076053 | RUBBER-CARRIER 1/4 GAS |
| 16203 | 078125 | SQUARE FOR DOOR 767 |
| 16438 | 076438 | CENTRAL FILTER F 22 T |
| 16460 | 076460 | CROSS MEMBER BASEMENT F 22 T1 |
| 16461 | 076461 | BOX CONTROL F 22 T1 |
| 16462 | 076462 | COLUMN BOX CONTROL F 22 T1 |
| 16463 | 076463 | SUPPORT FOR COLUMN F 22 T1 |
| 16464 | 076464 | TUBE F.SLIDING COLUMN F 22 T1 |
| 16469 | 076469 | BASKET SUPPORT F 22 T1 |
| 16471 | 076471 | LATERAL FILTER F 22 T1 |
| 16479 | 076479 | LEFT LATERAL PANEL F 22 T1 |
| 16480 | 076480 | RIGHT LAT.PANEL F 22 T1 |
| 16481 | 076481 | LAT.RIGHT FRONT PANEL F 22 T1 |
| 16482 | 076482 | LAT.RIGHT REAR PANEL F 22 T1 |
| 16484 | 076484 | REAR CENTRAL PANEL F 22 T1 |
| 16485 | 076485 | REAR INFERIOR PANEL F 22 T1 |
| 16666 | 078160 | AIR TRAP STAINLESS STEEL |
| 16679 | 072927 | RUBBER-CARRIER PG13 1/2-18/1" |
| 16767 | 076767 | FRONT DOOR 747 H |
| 16768 | 076768 | RIGHT DOOR 747 H |
| 16769 | 076769 | LEFT DOOR 747 H |
| 16770 | 076770 | DOOR GUIDE 747 H |
| 16771 | 076771 | FLASK 747 H |
| 16772 | 076772 | FLASK BLOCK DOOR 747 H |
| 16773 | 076773 | REAR SUPERIOR PANEL 747 H |
| 16777 | 076777 | U BOLT MICROSWITCH 747 H |
| 16778 | 076778 | TOP 747 H |
| 16779 | 076779 | HANDLE 747 H |
| 16780 | 076780 | STAY 747 H |
| 16827 | 076827 | SAFETY HOOK 747 H |
| 17003 | 077003 | CONTROL CHASSIS F 22 T1 NSF |
| 17011 | 077011 | SQUARE N.RETURN VAL.F22 T1 NSF |
| 17012 | 077012 | FRONT UPPER PANEL F 22 T1 NSF |
| 17014 | 077014 | TANK WITH BASEMENT 747 H NSF |
| 17030 | 077030 | FLASK DOS.AND MAN.F 22-747 NSF |
| 17031 | 077031 | FRONT INFER.PANEL F 22 T1 NSF |
| 17181 | 079956 | NAME PLATE 1 BUT.F 22 T1 NSF |
| 20002 | 072206 | CONDENSER 12,5 |
| 20025 | 072550 | TYMER NOVE |
| 20049 | 075570 | FIXING CABLE ST PG 29 |
| 20055 | 070625 | PROBE FOR DIGITAL MEAS.20623 |
| 20067 | 072207 | RELAY 12A 230V |
| 20132 | 072614 | TERMINAL |

| | | |
|-------|--------|--------------------------------|
| 20133 | 072377 | PLATE 249-116 |
| 20134 | 072615 | TERMINAL 281-313 |
| 20336 | 070336 | CLIP |
| 20337 | 070337 | CLIP NYLON |
| 20519 | 072201 | PUSH BUTTON |
| 20525 | 072089 | PRESSURE SWITCH 125/60 |
| 20534 | 072442 | CONTACTOR BF38 230V 50/60HZ (5 |
| 20552 | 072475 | CONNECTOR AUT.D.DOS.(5X7) |
| 20561 | 072378 | TERMINAL 16MM 783-601 |
| 20562 | 072380 | TERMINAL 783-317 |
| 20563 | 072379 | STAPLE 283-402 |
| 20569 | 072382 | SOLENOID VALVE 1A 240V 60HZ UL |
| 20570 | 072376 | THERMOSTAT 70°C |
| 20586 | 072554 | TERMINAL BLOCK F 22 1PH JET-T. |
| 20589 | 072516 | FILTER FOR AUT.DET.DOSER 5X7 |
| 20591 | 072638 | TIMER 2'18" 60HZ |
| 20596 | 072520 | THERMOSTAT 85°C |
| 20597 | 072133 | CONTACTOR BF26 230V 50/60HZ (4 |
| 20623 | 070623 | DIGITAL MEASUREMENT C° 64X28 |
| 20627 | 072164 | NUT 2" F 22 T1 |
| 20628 | 072163 | FAIR LEAD BOX C.F 22 T1 |
| 20629 | 072162 | SHEATH BOX CONTROL F 22 T1 |
| 20658 | 075572 | MAGNETIC SWITCH |
| 20710 | 070710 | PROBE NTC 1/4 2MT |
| 20728 | 070728 | AUTOMATIC DET.DOSER GN202 NSF |
| 20729 | 070729 | AUTOMATIC DET.DOSER GN82B NSF |
| 20769 | 078605 | NUT SEKO F.6MM 0000061001 |
| 20807 | 075219 | TANK H.EL.220V 6000W 5% |
| 20809 | 079986 | BOILER HEAT.EL.220V 9000W 5% |
| 20820 | 079920 | SUPPORT D.25 ROUND |
| 20828 | 079921 | BUTTON D.25 |
| 20831 | 072904 | GASKET FOR 20623 |
| 20834 | 079922 | LED GREEN TB06 UL READY+CYCLE |
| 20835 | 079923 | LED BLUE TB06SQL UL ON-OFF |
| 20836 | 079924 | TRANSPARENT LIGHT FOR LED UL |
| 20842 | 079919 | SWITCH CM NA/NA UL A2502 |
| 20907 | 073829 | ADAPTER 05625 X 20067-20578 |
| 21616 | 078606 | U BOLT AUT.PERIST.DOSER |
| 21737 | 071737 | LOOM 747 H 220V 1PH NSF |
| 30049 | 070049 | DISH BASKET 50X50 |
| 30105 | 070105 | UNIVERSAL BASKET 50X50 |
| 30120 | 072493 | TRAY BASKET 50X50X23 |
| 40255 | 072501 | M.PU.220V 1PH 1HP 60HZ 4217/A1 |
| 60003 | 072316 | GASKET |
| 60004 | 072317 | WASHER TEFLON 15X10X3 |
| 60007 | 070007 | WASHER TEFLON 15X10X9 |
| 60009 | 072093 | GASKET 52X42X6 |
| 60010 | 072713 | O RING |
| 60018 | 072334 | GASKET |
| 60050 | 072095 | O RING |

| | | |
|-------|--------|-------------------------|
| 60074 | 072319 | O RING |
| 60075 | 072100 | O RING |
| 60076 | 072264 | O RING |
| 60078 | 072101 | CLAMP |
| 60081 | 072617 | CLIP |
| 60083 | 072619 | CLIP |
| 60084 | 072620 | CLIP |
| 60091 | 072592 | CLIP 12-20 AISI 304 |
| 60092 | 072593 | CLIP 32-50 AISI 304 |
| 60102 | 072621 | SCREW |
| 60103 | 072320 | SCREW |
| 60109 | 072103 | SCREW |
| 60111 | 072120 | SCREW M6X12 |
| 60130 | 072343 | SCREW |
| 60131 | 072370 | SCREW 5MAX10 |
| 60132 | 072321 | SCREW |
| 60135 | 072104 | SCREW |
| 60136 | 072595 | SCREW |
| 60137 | 072322 | SCREW |
| 60140 | 070140 | SCREW |
| 60141 | 070141 | SCREW |
| 60143 | 072623 | SCREW |
| 60161 | 072625 | SCREW |
| 60163 | 070163 | SCREW |
| 60166 | 072628 | SCREW |
| 60182 | 072753 | SCREW |
| 60185 | 070185 | RIVET |
| 60188 | 075232 | S/S SCREW 4MAX10 |
| 60201 | 072631 | NUT |
| 60202 | 072345 | NUT |
| 60208 | 072325 | NUT |
| 60210 | 072110 | NUT 8MA |
| 60212 | 072263 | NUT |
| 60213 | 072598 | NUT 10MA |
| 60215 | 072633 | NUT |
| 60218 | 072600 | NUT M 14 |
| 60222 | 070222 | NUT DIN 6923 5MA INOX |
| 60228 | 072601 | WASHER M 14 |
| 60231 | 072344 | WASHER |
| 60232 | 072634 | WASHER |
| 60234 | 072236 | WASHER |
| 60235 | 072324 | WASHER |
| 60238 | 072603 | WASHER |
| 60242 | 072111 | WASHER |
| 60243 | 072604 | WASHER |
| 60244 | 072635 | WASHER |
| 60540 | 078607 | HOSE POLYAMIDE 5X7 MM |
| 60552 | 072741 | RED HOSE 5X7 X-32/X-33 |
| 60553 | 072742 | BLUE HOSE 5X7 X-32/X-33 |
| 60561 | 072233 | HOSE |
| 60565 | 072116 | HOSE |
| 60699 | 070699 | PACKAGE 747 H |
| 60700 | 070700 | PEDESTAL 747 H |