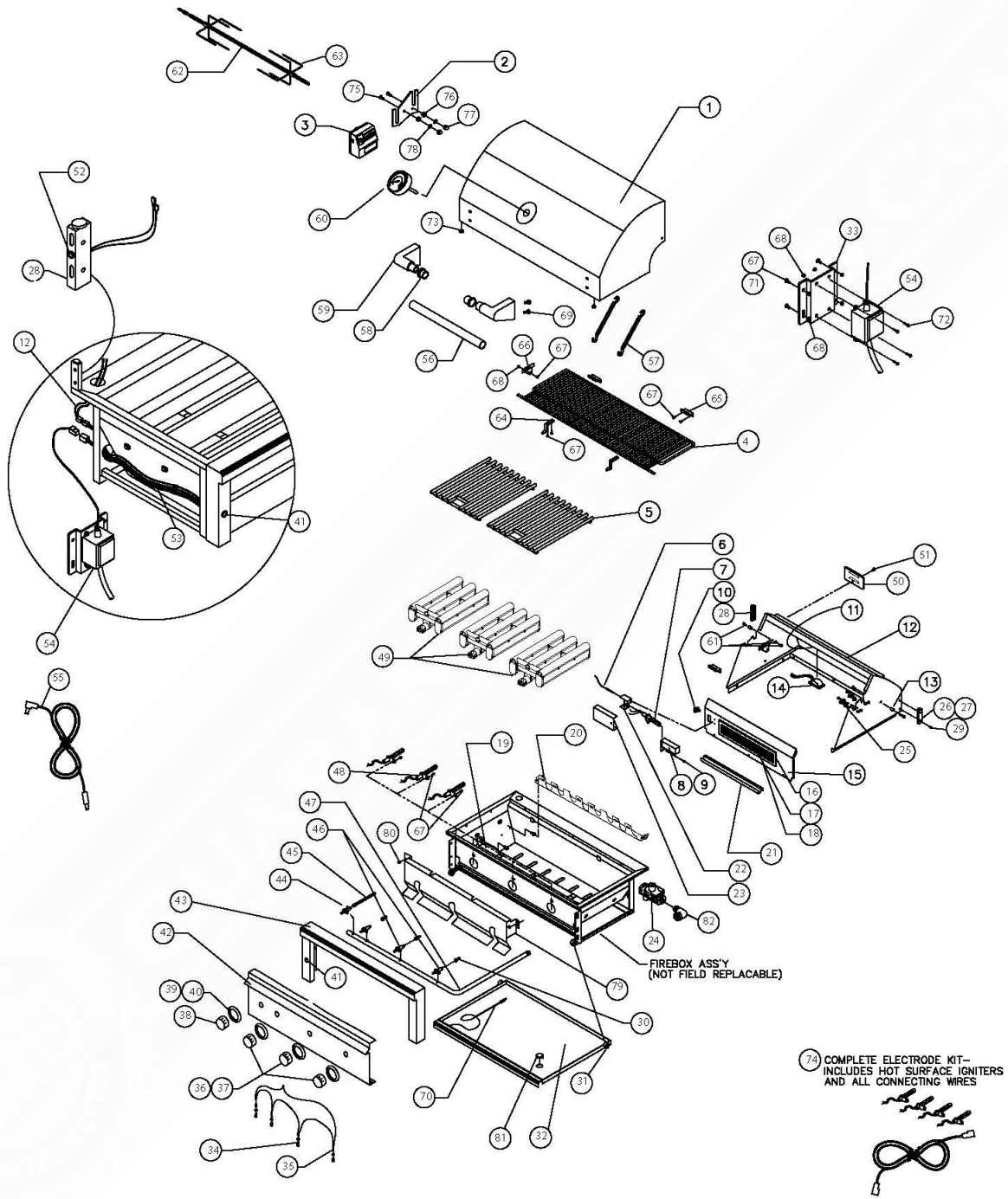


L36ATR Parts Breakdown



L36ATR Parts Breakdown

| Item | Part No. | Name | Qty | Uom | NOTES |
|------|----------|--------------------------------------|-----|------|-------|
| 1 | 80310 | FRONT HOOD ASSY, 36" | 1 | EA | |
| 2 | 90132 | MOTOR MOUNTING BRACKET, KIT, ALL PRO | 1 | EA | |
| 3 | 80277 | MOTOR ASSY, HEAVY DUTY 3 SPEED | 1 | EA | |
| 4 | 32110 | WARMING SHELF, PRO 36" | 1 | EA | |
| 5 | 34706 | (2) GRATES 16 1/2" X 18 1/2" | 2 | EA | |
| 6 | 20018 | IR THERMOCOUPLE | 1 | EA | |
| 7 | 33052 | IR ELECTRODE, HOT SURFACE | 1 | EA | |
| NI | 80487 | WIRE ASSEMBLY, ROTIS | 1 | EA | |
| 8 | 33093 | GAS COLLECTOR BOX, IR ROTIS | 1 | EA | |
| 9 | 14018 | SCREW, #6-32 X 1/4 PH. PAN HD | 1 | EA | |
| 10 | 31795 | IR BRASS ELBOW, 7/16-20 MALE THREAD | 1 | EA | |
| 11 | 32441 | LIGHT PANEL FOR DUAL LIGHTS, 36" | 1 | EA | |
| 12 | 81423 | REAR HOOD ASSEMBLY 36 | 1 | EACH | |
| 13 | 90237 | HOOD SPACER KIT | 1 | EA | |
| 14 | 80447 | HOOD LIGHT ASSY, DUAL W/10W BULB | 1 | EA | |
| NI | 31979 | BULB, REPLACEMENT, 10W HALOGEN | 1 | EA | |
| NI | 32322 | GLASS REPLACEMENT COVER W/CLIP | 1 | EA | |
| 15 | 80274 | IR PANEL ASSY, 36" (INCLUDES BURNER) | 1 | EA | |
| 16 | 32989 | IT ROTIS. BURNER ONLY (21 IN.) | 1 | EA | |
| 17 | 32992 | IR BURNER FRAME ONLY (21 IN.) | 1 | EA | |
| 18 | 32644 | SCREW, #8-32 X 5/16 PH. FLAT HD | 1 | EA | |
| 19 | 32245 | BURNER HANGER, PRO 36" | 1 | EA | |
| 20 | 33445 | BURNER HANGER, REAR, 36" ALL-TRIDENT | 1 | EA | |
| 21 | 10158 | WOODCHIP TRAY (36", 42") | 1 | EA | |

L36ATR Parts Breakdown

| Item | Part No. | Name | Qty | Uom | NOTES |
|------|----------|--|-----|-----|-------|
| NI | 32222 | SCREW, SHOULDER, #10-32 X 1/4, SLOTTED, SS | 2 | EA | |
| 22 | 80790 | IR IGNITER BRACKET, ALL PRO | 1 | EA | |
| 23 | 33136 | IR IGNITER COVER, 4-1/8" | 1 | EA | |
| 24 | 30781 | REGULATOR 4/11 N/G ONLY | 1 | EA | |
| 24 | 13053 | REGULATOR W/30" HOSE DOUBLE STAGE - LP | 1 | EA | |
| 25 | 90128 | ROLLER BEARING KIT - ROTISSERIE (2 PARTS EA) | 1 | EA | |
| 26 | 32468 | HOOD STOP | 1 | EA | |
| 27 | 32470 | BUMPER FOR HOOD STOP, .750 DIA | 1 | EA | |
| 28 | 33389 | HOOD STOP, LEFT, ALL PRO | 1 | EA | |
| 29 | 32469 | SCREW/HOOD STOP - #8-32 X 1" PH TRUSS HD | 1 | EA | |
| 30 | 90176 | COMPLETE ORIFICE FIELD KIT - LP TO NG | 1 | EA | |
| NI | 90177 | COMPLETE ORIFICE FIELD KIT - NG TO LP | 1 | EA | |
| NI | 13016 | ORIFICE, IR ROTIS, NG (#50 SHORT) | 1 | EA | |
| NI | 13021 | ORIFICE, IR ROTIS, LP (#57 SHORT) | 1 | EA | |
| NI | 13015 | ORIFICE, BURNER, NG (#44 SHORT) | 1 | EA | |
| NI | 13020 | ORIFICE, BURNER, LP (#54 SHORT) | 1 | EA | |
| 31 | 90129 | ROLLER BEARING KIT | 1 | EA | |
| 32 | 90225 | DRIP PAN COMPLETE, PRO 36" | 1 | EA | |
| 33 | 36467 | BRACKET, MOUNT, POWER SUPPLY, FLAMTRAK | 1 | EA | |
| 34 | 80436 | LED HARNESS ASSY, L600/L700 W/IR | 1 | EA | |
| 35 | 32554 | LED HOLDER (INCLUDES NUT) | 4 | EA | |
| NI | 32055 | WASHER | 4 | EA | |
| 36 | 90230 | KNOB, TRIDENT BURNER | 3 | EA | |
| 37 | 90232 | KNOB, KIT, STAINLESS (3 BURNER + 1 ROTIS) | 1 | EA | |
| 38 | 90136 | KNOB, ROTIS, STAINLESS | 1 | EA | |

L36ATR Parts Breakdown

| Item | Part No. | Name | Qty | Uom | NOTES |
|------|----------|--|-----|------|-------|
| 39 | 10001 | BEZEL | 4 | EA | |
| 40 | 31929 | BEZEL SCREW, #6-32 X 1/8 PH PAN | 8 | EA | |
| 41 | 33148 | LIGHT SWITCH + HARNESS, BLUE LIGHTED | 1 | EA | |
| 42 | 80538 | FRONT PANEL, PRO 36" | 1 | EA | |
| NI | 11074 | LOGO, LYNX | 1 | EA | |
| 43 | 80515 | BULLNOSE ASS'Y, PRO 36" | 1 | EA | |
| 44 | 31772 | IR BURNER VALVE W/MICROSWITCH | 1 | EA | |
| 45 | 31794 | FLEX HOSE, 9MM X 38" W/ 7/16 FITTINGS | 1 | EA | |
| 46 | 34103 | MAIN BURNER VALVE W/MICROSWITCH | 3 | EA | |
| NI | 32845 | MICROSWITCH | 3 | EA | |
| | 34197 | SCREW | 3 | EA | |
| 47 | 80562 | MANIFOLD ASSY W/VALVES, 36" NG ALL - TRIDENT | 1 | EA | |
| 47 | 80561 | MANIFOLD ASSY W/VALVES, 36" LP ALL - TRIDENT | 1 | EA | |
| 48 | 33556 | IGNITER SHORT, HOT POINT | 3 | EA | |
| | NOTE | (FOR ASSEMBLY SEE ITEM 74) | | EA | |
| 49 | 33478 | TRIDENT BURNER, SHORT, 27"/36" | 3 | EA | |
| NI | 90179 | SCREEN REPLACEMENT, TRIDENT 2 BURNER, 27/36 | 3 | EA | |
| 50 | 30417 | IR ACCESS COVER | 1 | EA | |
| 51 | 14012 | SCREW, 1/4-20 X 3/8 PH TRUSS HD, S/S | 1 | EA | |
| 52 | 80440 | ROTISERIE JACK + INTERNAL HARNESS | 1 | EA | |
| NI | 33129 | JACK ONLY, DC PANEL MOUNT | 1 | EA | |
| 53 | 80533 | MAIN POWER HARNESS (27IR, 30, 36, 42, 54) | 1 | EA | |
| 54 | 36971 | POWER SUPPLY (5 AMP) | 1 | each | |
| | NOTE | (MUST ALSO ORDER ITEM 33 FOR UNITS BUILT BEFORE 7/12/22) | | EA | |
| 55 | 33416 | ROTISERIE EXTERNAL CORD | 1 | EA | |

L36ATR Parts Breakdown

| Item | Part No. | Name | Qty | Uom | NOTES |
|------|----------|--|-----|-----|-------|
| 56 | 32523 | HOOD HANDLE, 36" | 1 | EA | |
| 57 | 31780 | EXTENSION SPRING | 1 | EA | |
| NI | 14024 | LOCK NUT, #8-32, S/S | 2 | EA | |
| NI | 31782 | SHOULDER SCREW | 2 | EA | |
| 58 | 31738 | HANDLE BUSHING | 1 | EA | |
| 59 | 31736 | END CAP, HOOD HANDLE WITH INSU | 2 | EA | |
| 60 | 35765 | HOOD THERMOMETER, SEALED BLACK | 1 | EA | |
| 61 | 14013 | PIVOT SCREW, 1/4-20 X 1" HEX DRIVE | 1 | EA | |
| NI | 14009 | PIVOT SCREW NUT, HEX, 1/4-20 S/S | 1 | EA | |
| NI | 14026 | PIVOT WASHER, SPLIT LOCK, 1/4 S/S | 1 | EA | |
| 62 | 32129 | SPIT ROD, PRO 36" | 1 | EA | |
| 63 | 36995 | FORK ROTIS, L500-L36, SMALL | 2 | EA | |
| NI | 31061 | THUMB SCREW | 2 | EA | |
| 64 | 33033 | FRONT RETAINING BKT, WARMING RACK | 2 | EA | |
| 65 | 32133 | REAR RETAINING BRACKET, WARMING RACK | 2 | EA | |
| 66 | 32194 | LEFT RETAINING BRACKET, WARMING RACK | 1 | EA | |
| 67 | 14014 | SCREW | 3 | EA | |
| 68 | 14024 | LOCK NUT, #8-32, S/S | 1 | EA | |
| 69 | 31930 | BOLT, HEX HEAD, 1/4-20 X 3/8" S/S | 1 | EA | |
| 70 | 31031 | ALTERNATE LIGHT DEVICE, MATCH HOLDER | 1 | EA | |
| 71 | 31013 | SCREW, #8 X 1/2 PH TRUSS HD TYPE 'A' | 1 | EA | |
| 72 | 31649 | SCREW, #8-32 X 5/8, PHP, SS | 1 | EA | |
| 73 | 32477 | BUMPER 1/2" DIA, RUBBER, PRESS IN | 2 | EA | |
| 74 | 90178 | COMPLETE ELECTRODE KIT, 30/36/42 ALL TRIDENT | 1 | EA | |
| 75 | 14099 | SCREW, #10-24 X 3/4 PH FLAT HD S/S | 1 | EA | |

L36ATR Parts Breakdown

| Item | Part No. | Name | Qty | Uom | NOTES |
|------|----------|---|-----|-----|-------|
| 76 | 32939 | ROTIS. SPACER | 1 | EA | |
| 77 | 32196 | NUT, ACORN, #10-24, S/S | 1 | EA | |
| 78 | 32197 | WASHER, #10 SPLIT LOCK, S/S | 1 | EA | |
| 79 | 33592 | HEAT SHIELD, 36" AT | 1 | EA | |
| 80 | 14023 | NUT, COMBINATION (FOR HEAT SHIELD) | 1 | EA | |
| 81 | 90151 | DRAIN PLUG AND SEAL KIT, DRIP PAN | 1 | EA | |
| 82 | 13010 | ELBOW, STREET, 1/2" 90 DEGREE - NG ONLY | 1 | EA | |
| 82 | 13054 | ELBOW, 3/8" FLARE TO 1/2" FIP - LP ONLY | 1 | EA | |
| NI | CC36 | 36" GRILL COVER BUILT-IN | 1 | EA | |
| NI | CC36F | 36" GRILL COVER FREESTANDING | 1 | EA | |
| NI | CC36FCB | 36" GRILL COVER FREESTANDING WITH SIDE BURNER | 1 | EA | |
| NI | 20011 | DRIP PAN, PORCELAIN | 1 | EA | |
| NI | 90126 | WINDSCREEN 36" | 1 | EA | |
| NI | LIJ36 | 36" INSULATED JACKET | 1 | EA | |