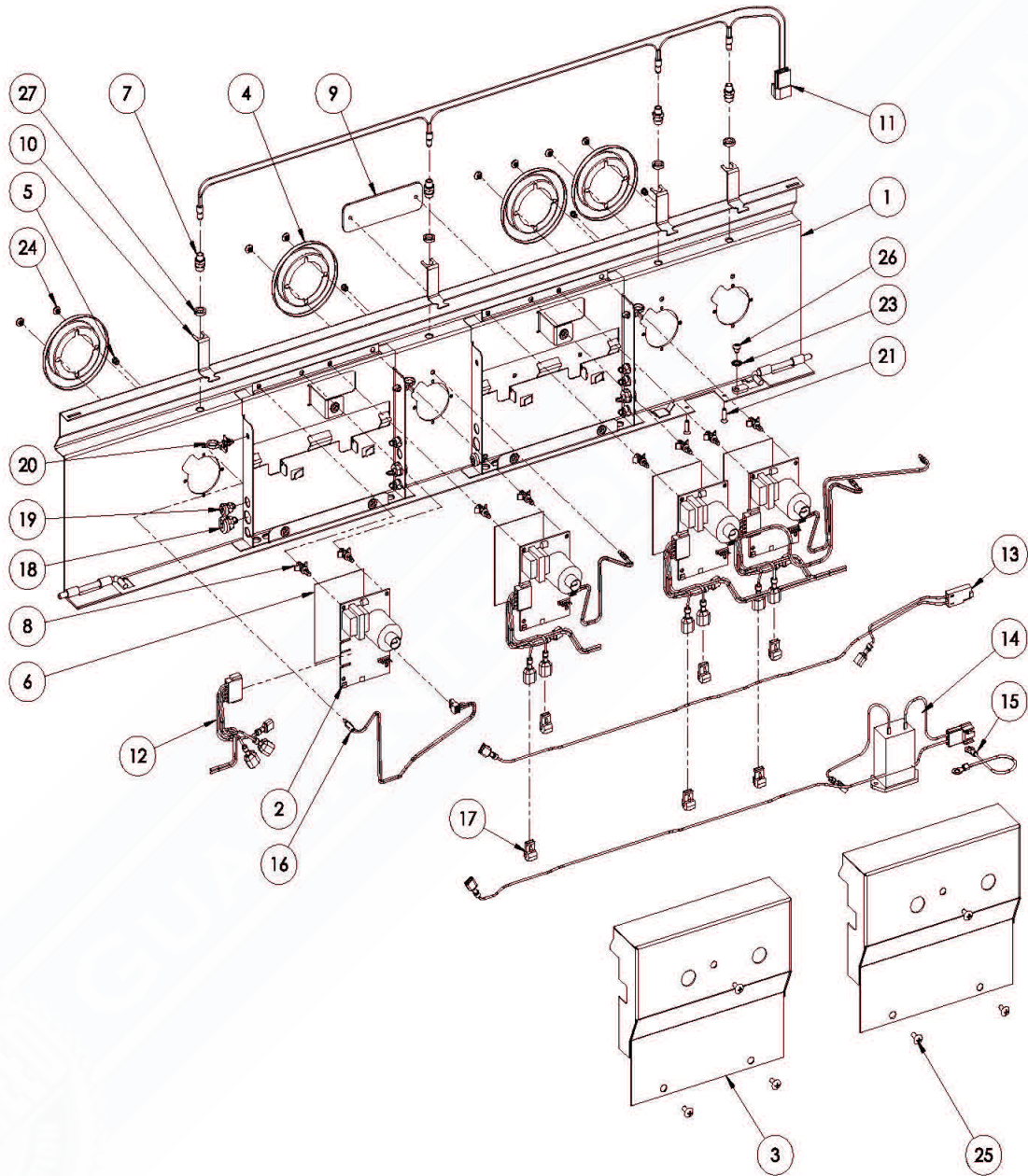


LF36ATR Control Panel

LF36ATR Control Panel



LF36ATR Control Panel

Item	Part No.	Name	Qty	Uom	NOTES
1	70297	PANEL, CONT, FRONT, L36, FT, WLDMT	1	EA	
2	35999	PCB, MODULE, FLAMETRAK	4	EA	
3	36413	COVER, PCB, 2X, FT	2	EA	
4	36216	BEZEL, KNOB	4	EA	
5	36172	CLIP, PANEL MOUNT, LED, 3mm	4	EA	
6	34997	INSUL, ELEC, FIBER BOARD SHT	4	EA	
7	32554	LED HOLDER (INCLUDES NUT)	4	EA	
8	35298	STANDOFF, SNAP-IN, LOCK, NYLON	8	EA	
9	33453	LYNX LOGO WITH NO MOUNTING PINS	1	EA	
10	34998	BRKT, LED HARNESS	4	EA	
11	80436	LED HARNESS ASSY, L600/L700 W/IR	1	EA	
12	81132	HARNESS, WIRE, PCB BOARD, FT	4	EA	
13	81133	HARNESS, WIRE, MAIN POWER, FT	1	EA	
14	81134	HARNESS, WIRE, BATTERY, FT	1	EA	
15	81142	HARNESS, WIRE, CHASSIS GROUND, FT	1	EA	
16	81137	HARNESS, LED, INDICATOR, ASSY	4	EA	
17	34806	TERMINAL, QUICK DISC, T-TAP	6	EA	
18	35355	CORD GRIP, SNAP-IN, .25-.30 CABLE	3	EA	
19	35390	CORD GRIP, SNAP-IN, .13-.19 CABLE	7	EA	
20	36407	CABLE TIE, NYLON, 7", PUSH MNT	3	EA	
21	30751	SCREW, #6-32 X 1/2 PH FLAT HEAD	2	EA	
22	32218	NUT, #8-32, RIVET, SS, KNURL	6	EA	
23	31059	WASHER, #10, ESL	1	EA	
24	36469	SCREW, #6-32 X 3/16, FHH, ZINK, UNDERCUT	8	EA	
25	14014	SCREW	6	EA	

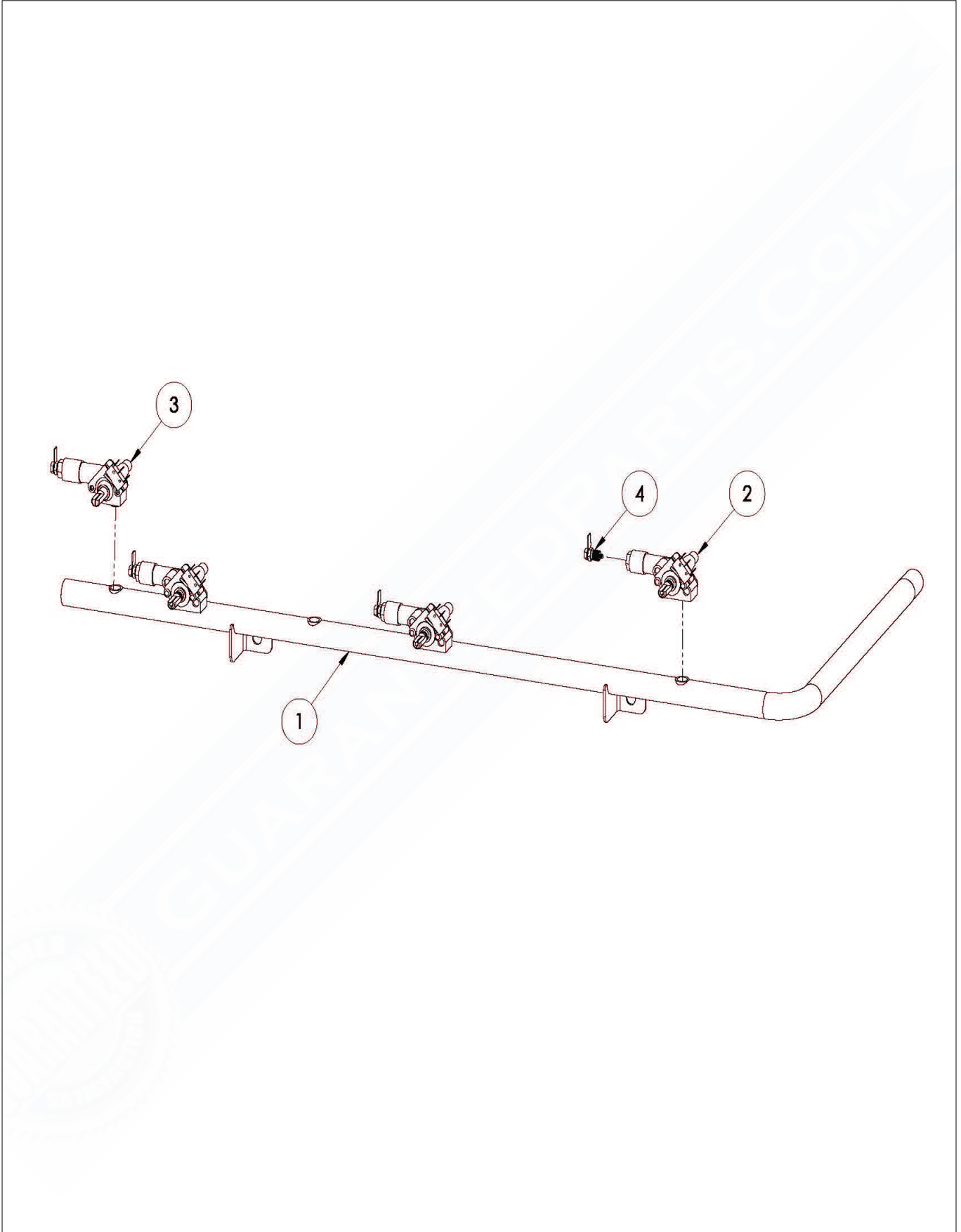
LF36ATR Control Panel

Item	Part No.	Name	Qty	Uom	NOTES
26	33517	SCREW, #8-32 X 3/16, PHP, SS	1	EA	
27	32055	WASHER	4	EA	

GUARANTEEDPARTS.COM



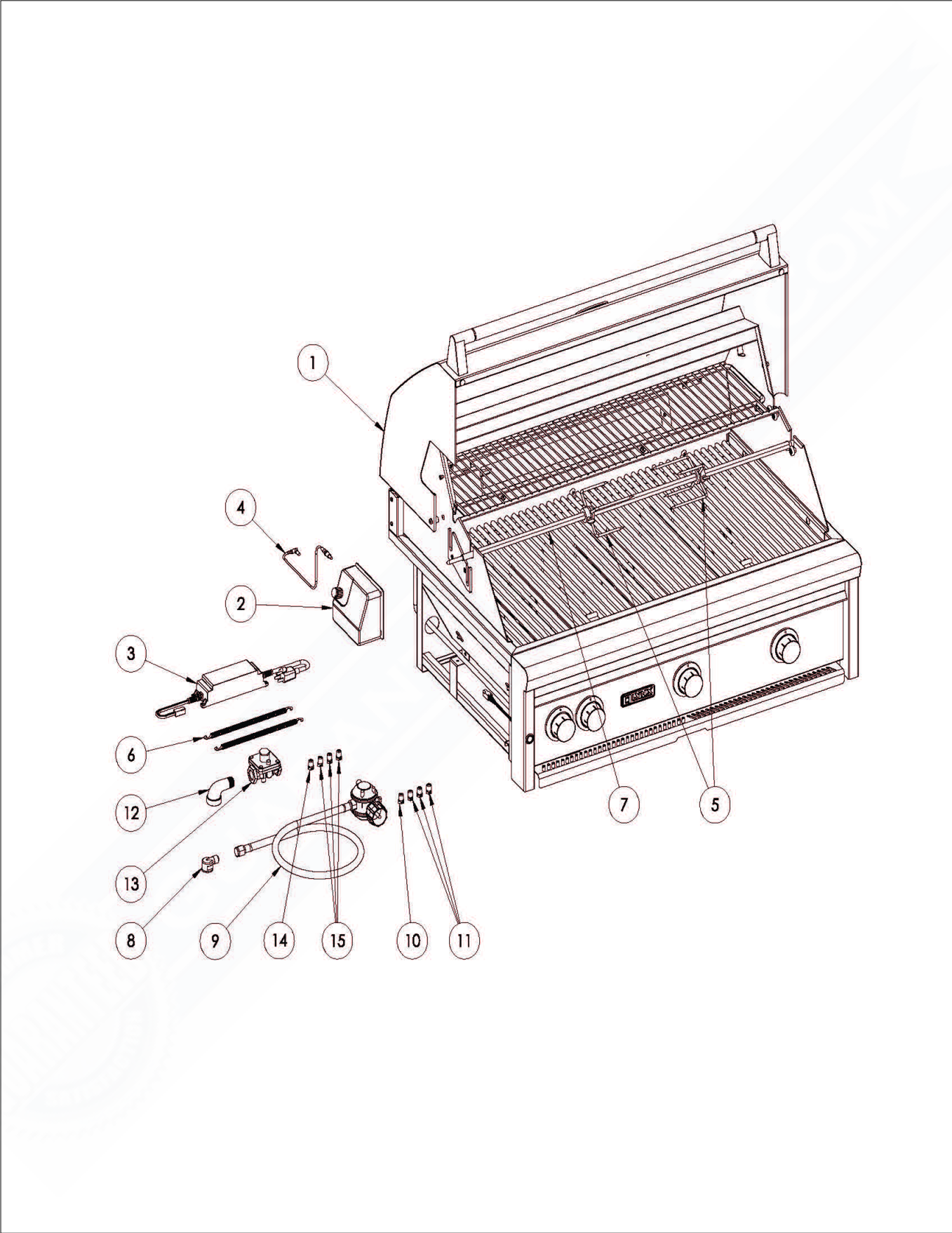
LF36ATR Manifold



Item	Part No.	Name	Qty	Uom	NOTES
1	70585	MANIFOLD, 36", FT, WLDMT	1	EA	
2	81139	VALVE, SAFETY, ADJUSTABLE, ASSY	3	EA	
NI	32845	MICROSWITCH	3	EA	
NI	36649	SCREW, #2-56 X 5/16, PWHP, SS	6	EA	
NI	36624	BRACKET, VALVE SWITCH	3	EA	
NI	36679	SCREW, M4-.7X8mm, PHIL BUTTON HD	6	EA	
3	81138	VALVE, SAFETY, ON/OFF, ASSY	1	EA	
NI	32845	MICROSWITCH	1	EA	
NI	34197	SCREW	2	EA	
4	81140	ELEC CONTACT, SAFETY VALVE, ASSY	4	EA	

LF36ATR Outer Parts

LF36ATR Outer Parts



LF36ATR Outer Parts

Item	Part No.	Name	Qty	Uom	NOTES
1	81146	GRILL, L36, ALL SEAR, FT, ASSY	1	EA	
2	80277	MOTOR ASSY, HEAVY DUTY 3 SPEED	1	EA	
3	36971	POWER SUPPLY (5 AMP)	1	each	
4	33416	ROTISERIE EXTERNAL CORD	1	EA	
5	31563	SPIT FORK, HEAVY DUTY, ALL SIZES	2	EA	
NI	31061	THUMB SCREW	2	EA	
6	31780	EXTENSION SPRING	2	EA	
7	32129	SPIT ROD, PRO 36"	1	EA	
8	13054	ELBOW, 3/8" FLARE TO 1/2" FIP - LP ONLY	1	EA	
9	13053	REGULATOR W/30" HOSE DOUBLE STAGE - LP	1	EA	
10	13021	ORIFICE, IR ROTIS, LP (#57 SHORT)	1	EA	
11	13020	ORIFICE, BURNER, LP (#54 SHORT)	3	EA	
12	13010	ELBOW, STREET, 1/2" 90 DEGREE - NG ONLY	1	EA	
13	30781	REGULATOR 4/11 N/G ONLY	1	EA	
14	13016	ORIFICE, IR ROTIS, NG (#50 SHORT)	1	EA	
15	13015	ORIFICE, BURNER, NG (#44 SHORT)	3	EA	

LF36ATR Inner Parts

LF36ATR Inner Parts

Item	Part No.	Name	Qty	Uom	NOTES
1	80310	FRONT HOOD ASSY, 36"	1	EA	
2	70580	BULLNOSE, L36, FT, WLDMT	1	EA	
3	80910	PANEL, CONT, FRONT, L36, FT, ASSY	1	EA	
4	81423	REAR HOOD ASSEMBLY 36	1	EACH	
5	80274	IR PANEL ASSY, 36" (INCLUDES BURNER)	1	EA	
6	81141	MANIFOLD, 36", FT, ASSY	1	EA	
7	31794	FLEX HOSE, 9MM X 38" W/ 7/16 FITTINGS	1	EA	
8	81145	DRIP PAN, 36", FT, ASSY	1	EA	
9	33478	TRIDENT BURNER, SHORT, 27"/36"	3	EA	
10	36230	RETAINER, INSUL, FT, L36	1	EA	
11	32940	BRACKET, MOUNT, ROTIS MOTOR	1	EA	
12	36468	LIGHT SWITCH ASSY (POWER SWITCH)	1	EA	
13	70563	BRKT, IGNITER, IR, WLDMT	1	EA	
14	33136	IR IGNITER COVER, 4-1/8"	1	EA	
15	33445	BURNER HANGER, REAR, 36" ALL-TRIDENT	1	EA	
16	32245	BURNER HANGER, PRO 36"	1	EA	
17	33033	FRONT RETAINING BKT, WARMING RACK	2	EA	
18	33597	LEFT RETAINING BRACKET, WARMING RACK	1	EA	
19	30417	IR ACCESS COVER	1	EA	
20	36421	HOOD STOP, W/ROTIS ROD RH	1	EA	
21	36420	HOOD STOP, W/ROTIS ROD, LH	1	EA	
22	31795	IR BRASS ELBOW, 7/16-20 MALE THREAD	1	EA	
23	32441	LIGHT PANEL FOR DUAL LIGHTS, 36"	1	EA	
24	32523	HOOD HANDLE, 36"	1	EA	
25	31736	END CAP, HOOD HANDLE WITH INSU	2	EA	
26	34706	(2) GRATES 16 1/2" X 18 1/2"	2	EA	

LF36ATR Inner Parts

Item	Part No.	Name	Qty	Uom	NOTES
27	34900	ELECTRODE, SPARK, STRAIGHT, 12"	3	EA	
28	34901	ELEC SPARK, STRAIGHT, CONFIG	1	EA	
29	80447	HOOD LIGHT ASSY, DUAL W/10W BULB	1	EA	
30	80440	ROTISERIE JACK + INTERNAL HARNESS	1	EA	
31	35765	HOOD THERMOMETER, SEALED BLACK	1	EA	
32	32110	WARMING SHELF, PRO 36"	1	EA	
33	36209	KNOB, ROTIS	1	EA	
	NOTE	You must order 33018 D clip to go with knob		EA	
34	36210	KNOB,ALL-SEAR	3	EA	
	NOTE	You must order 33018 D clip to go with knob		EA	
35	81136	POWER HARNESS, MAIN, FLAMETRAK	1	EA	
36	33781	NIPPLE, PIPE, 1/2 NPT X 6	1	EA	
37	31582	UNION COUPLER, 1/2" NPT	1	EA	
38	20055	HOOD BEARING	6	EA	
39	36967	HOOD SPACER, UNIVERSAL	2	EA	
40	32939	ROTIS. SPACER	2	EA	
41	32470	BUMPER FOR HOOD STOP, .750 DIA	2	EA	
42	32477	BUMPER 1/2" DIA, RUBBER, PRESS IN	2	EA	
43	30617	SCREW	2	EA	
44	14018	SCREW, #6-32 X 1/4 PH. PAN HD	2	EA	
45	14014	SCREW	16	EA	
46	31804	SPIT BEARING SCREW, #8 32x5/8 PH FLAT	4	EA	
47	32469	SCREW/HOOD STOP - #8-32 X 1" PH TRUSS HD	4	EA	
48	31781	SCREW, SHOULDER, #8-32 X 3/16	2	EA	
49	14099	SCREW, #10-24 X 3/4 PH FLAT HD S/S	4	EA	

LF36ATR Inner Parts

Item	Part No.	Name	Qty	Uom	NOTES
50	14012	SCREW, 1/4-20 X 3/8 PH TRUSS HD, S/S	12	EA	
51	31930	BOLT, HEX HEAD, 1/4-20 X 3/8" S/S	15	EA	
52	30223	SCREW, 1/4-20 X 1/2, HWH, ST, ZN, SERR	2	EA	
53	14013	PIVOT SCREW, 1/4-20 X 1" HEX DRIVE	2	EA	
54	31814	ELECTRODE NUT, HEX, #6-32 S/S	3	EA	
55	20083	NUT, #10-24, HEX, SS, MACHINE	2	EA	
56	32196	NUT, ACORN, #10-24, S/S	6	EA	
57	14009	PIVOT SCREW NUT, HEX, 1/4- 20 S/S	2	EA	
58	14044	Washer, 1/4, Flat, SS, 11/16 O.D.	3	EA	
59	31317	WASHER, 1/4, FLAT, SS, 1-1/4 O.D.	4	EA	
60	20021	INSULATION, LIJ	1	EA	