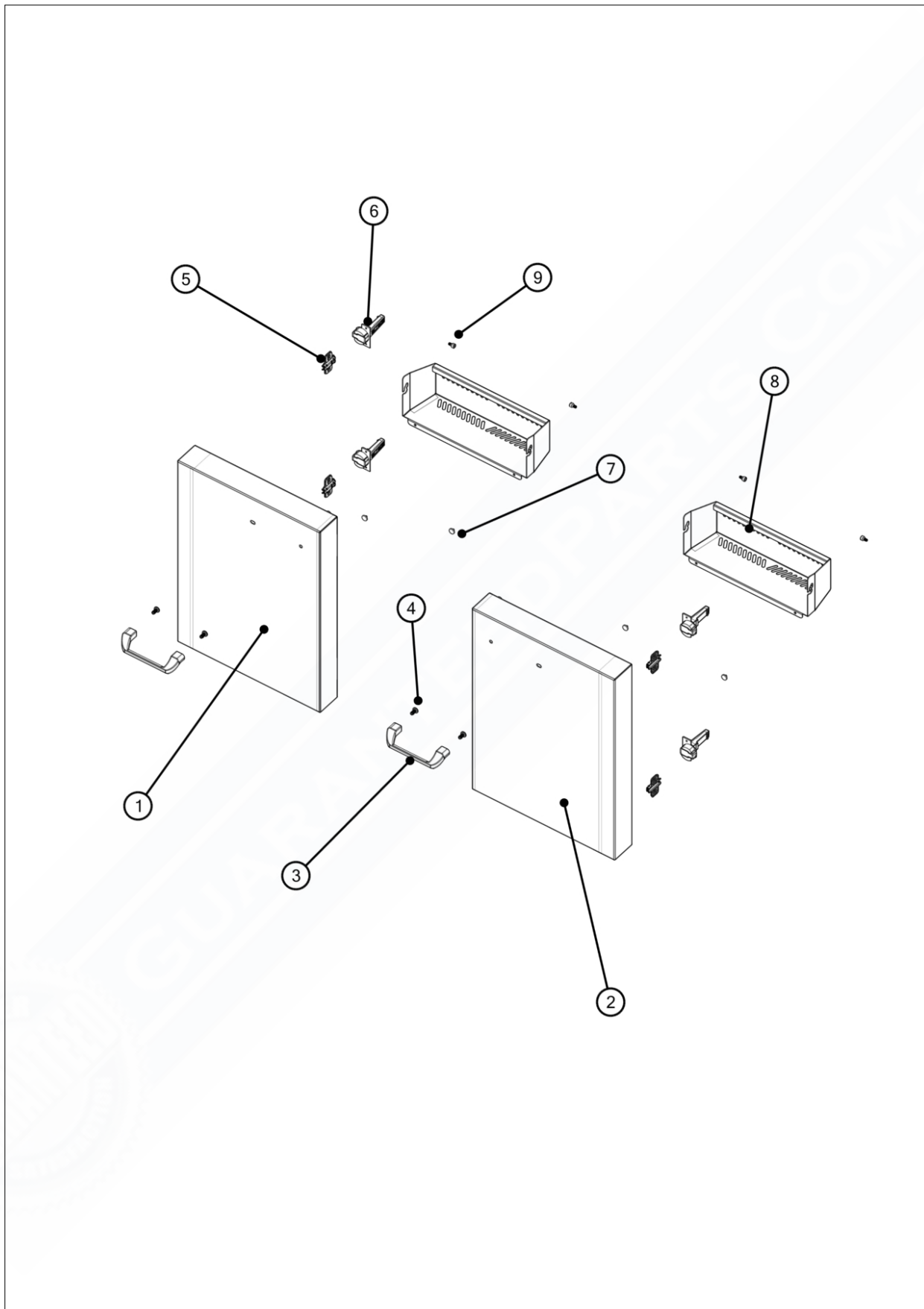


L30ATRF-01

GUARANTEEDPARTS.COM

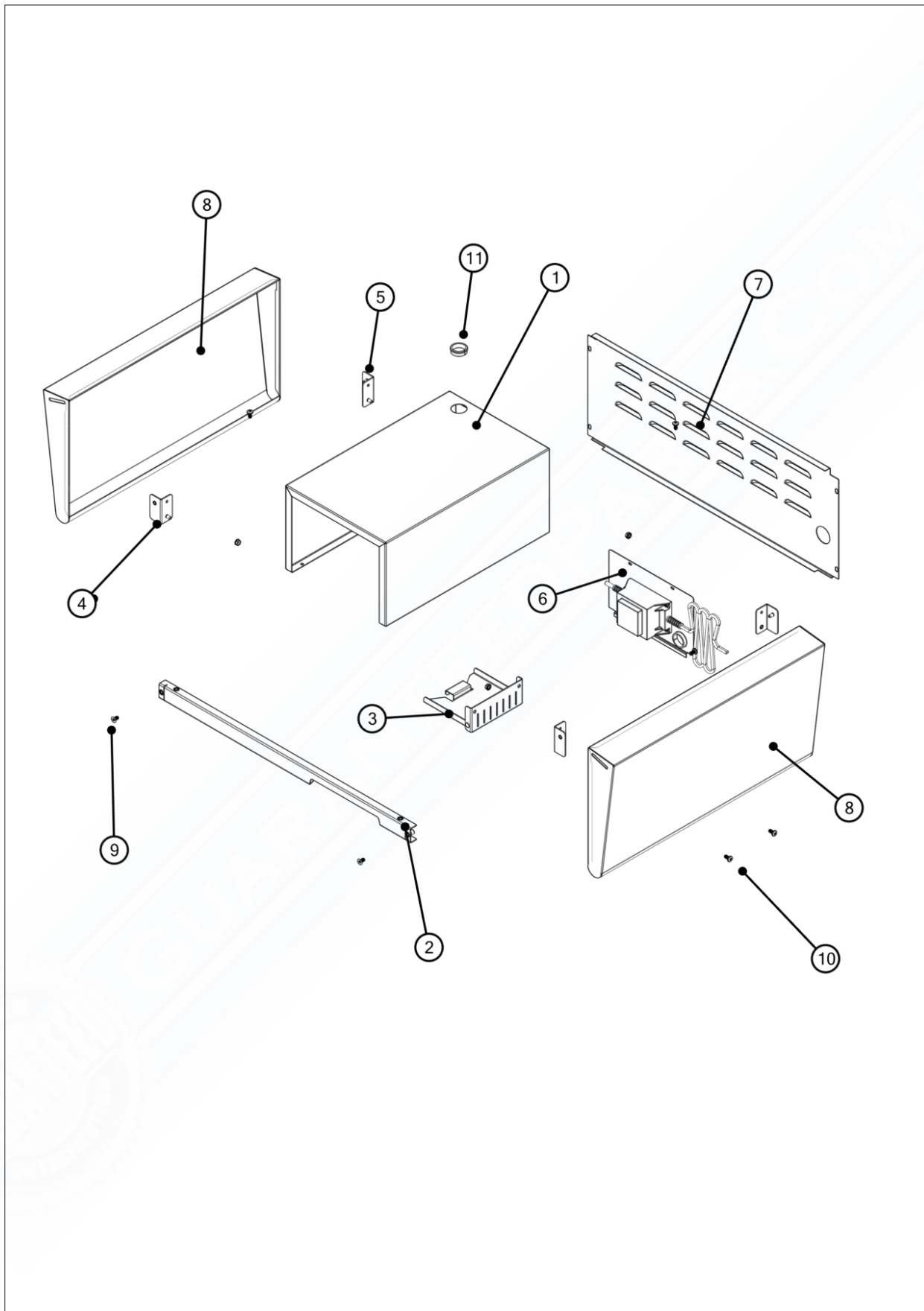


CART DOORS



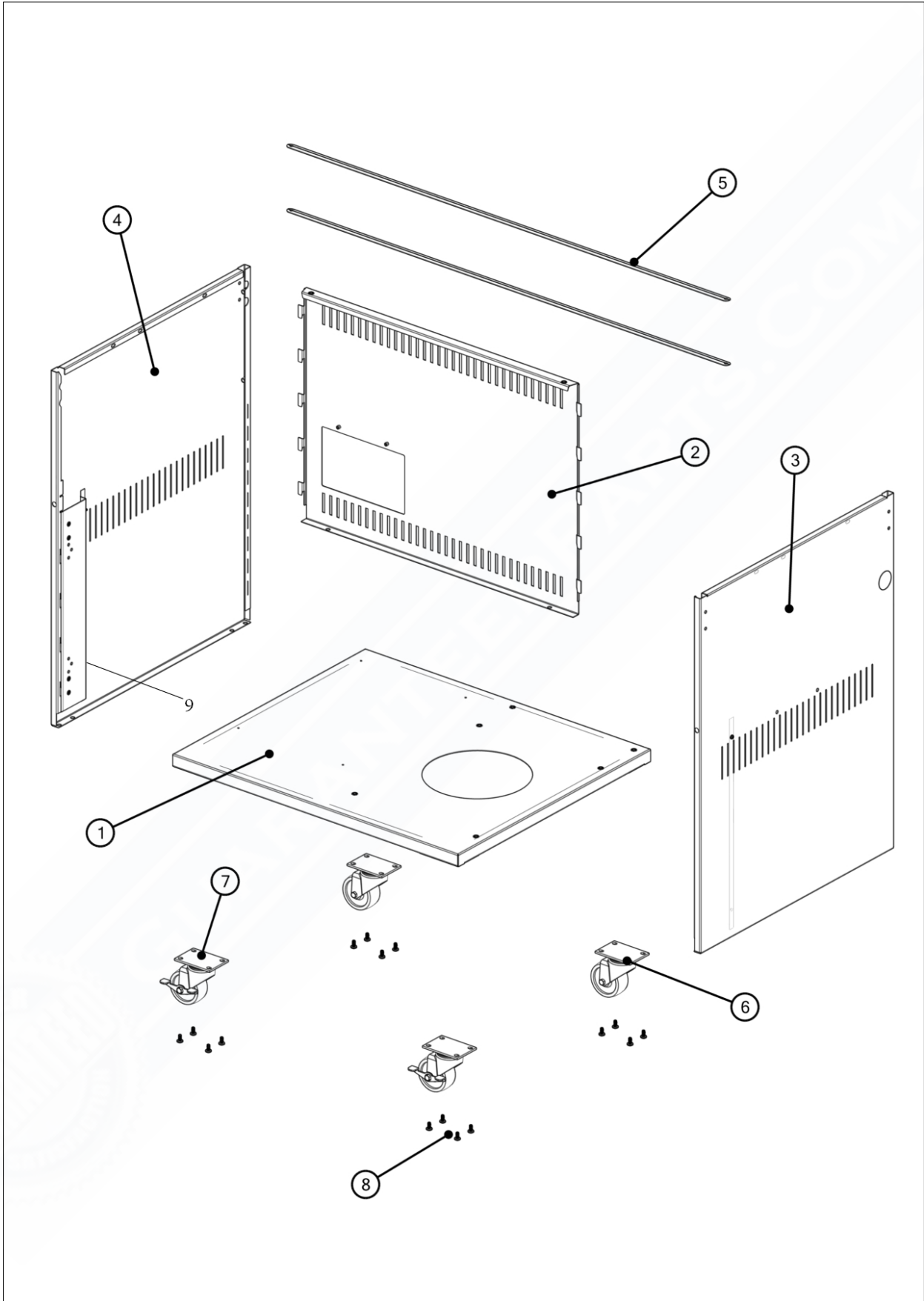
Item	Part No.	Name	Qty	Uom	NOTES
1	70693	DOOR WELDMENT (LH), L30	1	EA	
2	70689	DOOR WELDMENT (RH), L30	1	EA	
3	11174	HANDLE, 5" OFFSET SS	2	EA	
4	37167	SCREW, 1/4-20 X 1/2 PAN HEAD TORX, NYLOK	4	EA	
5	35792	MOUNTING PLATE, HINGE, SOFT CLOSE	4	EA	
6	35624	HINGE, SOFT CLOSE	4	EA	
7	32477	BUMPER 1/2" DIA, RUBBER, PRESS IN	4	EA	
8	31754	BOTTLE HOLDER LDR30/18	2	EA	
9	32222	SCREW, SHOULDER, #10-32 X 1/4, SLOTTED, SS	4	EA	

CART INTERIOR



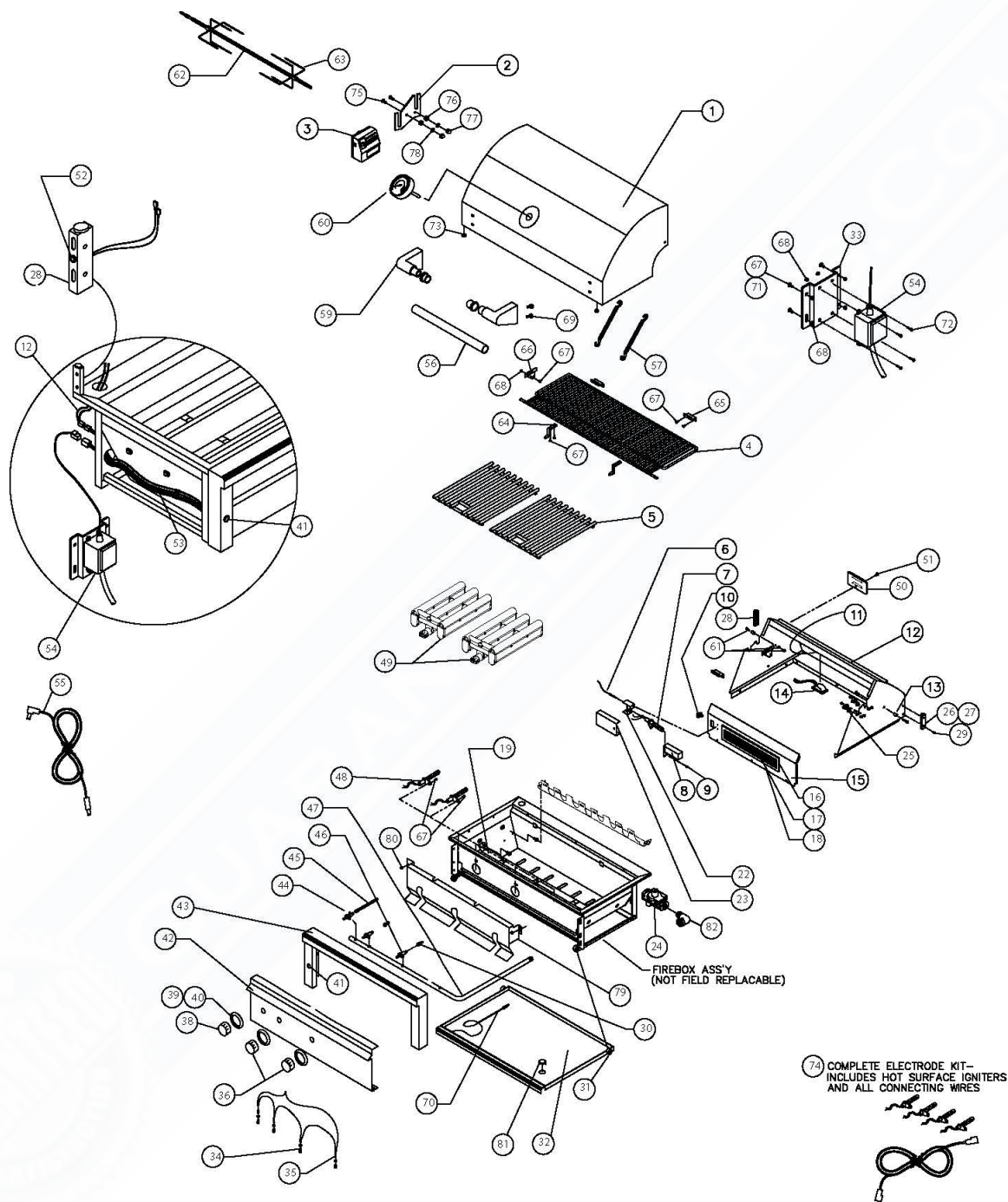
Item	Part No.	Name	Qty	Uom	NOTES
1	37092	SHELF, INNER L30	1	EA	
2	81403	CROSS CHANNEL ASSY, L30	1	EA	
3	70110	TANK BRACKET ASSY	1	EA	
4	70696	BRKT, SHELF, RH, MOVEABLE, WLDMT	2	EA	
5	70697	BRKT, SHELF, LH, MOVEABLE, WLDMT	2	EA	
6	81417	TRANSFORMER ASSY	1	EA	
7	37095	PANEL, ACCESS BACK, L30	1	EA	
8	32164	Side Shelf, 30/42/54	2	EA	
9	37168	SCREW, 1/4-20 X 1/2 FLAT HEAD TORX, LOCTITE	2	EA	
10	37167	SCREW, 1/4-20 X 1/2 PAN HEAD TORX, NYLOK	16	EA	
11	31205	GROMMET, PLSTC, 1 I.D. X 1 3/8 O.D.	1	EA	

CABINET BODY



Item	Part No.	Name	Qty	Uom	NOTES
1	81398	Base, L30	1	EA	
2	81388	BACK PANEL ASSY, L30	1	EA	
3	80393	SIDE PANEL ASSY, RH, PRO	1	EA	
	NOTE	(BEFORE 04/11/2022)		EA	
3	90275	RH SIDE PANEL W/INSERT NUTS	1	EA	
	NOTE	(ON OR AFTER 04/11/2022 OR IF ASSEMBLY PREVIOUSLY INSTALLED)		EA	
4	81396	SIDE PANEL ASSY, LH, L30/54	1	EA	
	NOTE	(BEFORE 04/11/2022)		EA	
4	90276	LH SIDE PANEL W/INSERT NUTS	1	EA	
	NOTE	(ON OR AFTER 04/11/2022 OR IF ASSEMBLY PREVIOUSLY INSTALLED)		EA	
5	37064	BRACE, CROSS, L30	2	EA	
6	20047	Caster, 3" w/o Brake	2	EA	
7	20024	Caster, 3" w/Brake	2	EA	
8	37165	SCREW, #8-32 X 1/2 PAN HEAD TORX, LOCTITE	16	EA	
9	90279	CHANNEL, SIDE SUPPORT	2	EA	
	NOTE	(ON OR AFTER 04/11/2022 OR IF ASSEMBLY PREVIOUSLY INSTALLED)		EA	

GRILL



Item	Part No.	Name	Qty	Uom	NOTES
1	80309	FRONT HOOD ASSY 30°	1	EA	
2	90132	MOTOR MOUNTING BRACKET, KIT, ALL PRO	1	EA	
3	80277	MOTOR ASSY, HEAVY DUTY 3 SPEED	1	EA	
4	32109	WARMING SHELF, PRO 30'	1	EA	
5	34704	(2) GRATES- 13 1/2° X 21'	2	EA	
6	20018	IR THERMOCOUPLE	1	EA	
7	33052	IR ELECTRODE, HOT SURFACE	1	EA	
NI	80487	WIRE ASSEMBLY, ROTIS	1	EA	
8	33093	GAS COLLECTOR BOX, IR ROTIS	1	EA	
9	14018	SCREW, #6-32 X 1/4 PH. PAN HD	3	EA	
10	31795	IR BRASS ELBOW, 7/16-20 MALE THREAD	1	EA	
11	32156	LIGHT PANEL/REAR HOOD LINER, 30'	1	EA	
12	81419	REAR HOOD ASSEMBLY 30	1	EACH	
13	90237	HOOD SPACER KIT	1	EA	
14	80446	HOOD LIGHT ASSY, SINGLE W/10W BULB	1	EA	
NI	31979	BULB, REPLACEMENT, 10W HALOGEN	1	EA	
NI	32322	GLASS REPLACEMENT COVER W/CLIP	1	EA	
15	80273	IR PANEL ASSY, 30' (INCLUDES BURNER)	1	EA	
16	32989	IT ROTIS. BURNER ONLY (21 IN.)	1	EA	
17	32992	IR BURNER FRAME ONLY (21 IN.)	1	EA	
18	32644	SCREW, #8-32 X 5/16 PH. FLAT HD	2	EA	
19	36675	BURNER HANGER, PRO 30"	2	EA	
22	80790	IR IGNITER BRACKET, ALL PRO	1	EA	
23	33135	IR IGNITER COVER, 3 5/8"	1	EA	
24	30781	REGULATOR 4/11 N/G ONLY	1	EA	

Item	Part No.	Name	Qty	Uom	NOTES
24	13053	REGULATOR W/30" HOSE DOUBLE STAGE - LP	1	EA	
25	90128	ROLLER BEARING KIT - ROTISSERIE (2 PARTS EA)	1	EA	
26	32468	HOOD STOP	1	EA	
27	32470	BUMPER FOR HOOD STOP, .750 DIA	2	EA	
28	33389	HOOD STOP, LEFT, ALL PRO	1	EA	
29	32469	SCREW/HOOD STOP - #8-32 X 1" PH TRUSS HD	4	EA	
30	90176	COMPLETE ORIFICE FIELD KIT - LP TO NG	1	EA	
NI	90177	COMPLETE ORIFICE FIELD KIT - NG TO LP	1	EA	
NI	13016	ORIFICE, IR ROTIS, NG (#50 SHORT)	1	EA	
NI	13021	ORIFICE, IR ROTIS, LP (#57 SHORT)	1	EA	
NI	13014	BURNER ORIFICE, NG (#42 SHORT)	2	EA	
NI	13020	ORIFICE, BURNER, LP (#54 SHORT)	2	EA	
31	90129	ROLLER BEARING KIT	1	EA	
32	18050	DRIP PAN, 30°	1	EA	
33	33130	TRANSFORMER MOUNTING BRKT B/I & F/S	1	EA	
34	80435	LED HARNESS ASSY, L500 W/IR	1	EA	
35	32554	LED HOLDER (INCLUDES NUT)	3	EA	
NI	32055	WASHER	3	EA	
36	90230	KNOB, TRIDENT BURNER	2	EA	
38	90136	KNOB, ROTIS, STAINLESS	1	EA	
39	10001	BEZEL	3	EA	
40	31929	BEZEL SCREW, #6-32 X 1/8 PH PAN	6	EA	
41	33148	LIGHT SWITCH + HARNESS, BLUE LIGHTED	1	EA	
42	80539	FRONT PANEL, 30"	1	EA	
NI	11074	LOGO, LYNX	1	EA	

Item	Part No.	Name	Qty	Uom	NOTES
43	80516	BULLNOSE ASS'Y, PRO 30"	1	EA	
44	31772	IR BURNER VALVE W/MICROSWITCH	1	EA	
45	31794	FLEX HOSE, 9MM X 38" W/ 7/16 FITTINGS	1	EA	
46	34103	MAIN BURNER VALVE W/MICROSWITCH	2	EA	
NI	32845	MICROSWITCH	2	EA	
NI	34197	SCREW	2	EA	
47	80669	MANIFOLD ASSY W/VALVES, 30" NG ALL - TRIDENT	1	EA	
47	80668	MANIFOLD ASSY W/VALVES, 30" LP ALL - TRIDENT	1	EA	
48	33556	IGNITER SHORT, HOT POINT	2	EA	
	NOTE	(FOR ASSEMBLY SEE ITEM 74)		EA	
49	33415	PROSEAR-2 BURNER, 30", 42", 54"	2	EA	
NI	90181	SCREEN REPLACEMENT, PROSEAR 2 BURNER	2	EA	
50	30417	IR ACCESS COVER	1	EA	
51	14012	SCREW, 1/4-20 X 3/8 PH TRUSS HD, S/S	1	EA	
52	80440	ROTISERIE JACK + INTERNAL HARNES	1	EA	
NI	33129	JACK ONLY, DC PANEL MOUNT	1	EA	
53	80533	MAIN POWER HARNES (27IR, 30, 36, 42, 54)	1	EA	
54	36971	POWER SUPPLY (5 AMP)	1	each	
55	33416	ROTISERIE EXTERNAL CORD	1	EA	
56	32522	HOOD HANDLE, 30°	1	EA	
57	31874	EXTENSION SPRING ASM W/HOOK (NEED TWO PER UNIT)	2	EA	
NI	14024	LOCK NUT, #8-32, S/S	4	EA	
NI	31782	SHOULDER SCREW	4	EA	
59	31736	END CAP, HOOD HANDLE WITH INSU	2	EA	
60	35765	HOOD THERMOMETER, SEALED BLACK	1	EA	

Item	Part No.	Name	Qty	Uom	NOTES
61	14013	PIVOT SCREW, 1/4-20 X 1" HEX DRIVE	2	EA	
NI	14009	PIVOT SCREW NUT, HEX, 1/4-20 S/S	2	EA	
NI	14026	PIVOT WASHER, SPLIT LOCK, 1/4 S/S	6	EA	
62	32128	SPIT ROD, 30'	1	EA	
63	36995	FORK ROTIS, L500-L36, SMALL	2	EA	
NI	31061	THUMB SCREW	2	EA	
64	33033	FRONT RETAINING BKT, WARMING RACK	2	EA	
65	32133	REAR RETAINING BRACKET, WARMING RACK	2	EA	
66	33597	LEFT RETAINING BRACKET, WARMING RACK	1	EA	
67	14014	SCREW	4	EA	
68	14024	LOCK NUT, #8-32, S/S	2	EA	
69	31930	BOLT, HEX HEAD, 1/4-20 X 3/8" S/S	1	EA	
70	31031	ALTERNATE LIGHT DEVICE, MATCH HOLDER	1	EA	
71	31013	SCREW, #8 X 1/2 PH TRUSS HD TYPE 'A'	1	EA	
72	31649	SCREW, #8-32 X 5/8, PHP, SS	4	EA	
73	32477	BUMPER 1/2" DIA, RUBBER, PRESS IN	2	EA	
74	90178	COMPLETE ELECTRODE KIT, 30/36/42 ALL TRIDENT	1	EA	
75	14099	SCREW, #10-24 X 3/4 PH FLAT HD S/S	6	EA	
76	32939	ROTIS. SPACER	2	EA	
77	32196	NUT, ACORN, #10-24, S/S	2	EA	
78	32197	WASHER, #10 SPLIT LOCK, S/S	2	EA	
79	33864	HEAT SHIELD, 30" AT	1	EA	
80	14023	NUT, COMBINATION (FOR HEAT SHIELD)	2	EA	
81	90151	DRAIN PLUG AND SEAL KIT, DRIP PAN	1	EA	
82	13010	ELBOW, STREET, 1/2" 90 DEGREE - NG ONLY	1	EA	

Item	Part No.	Name	Qty	Uom	NOTES
82	13054	ELBOW, 3/8" FLARE TO 1/2" FIP - LP ONLY	1	EA	
NI	CC30	30" GRILL COVER BUILT-IN	1	EA	
NI	CC30F	30" GRILL COVER FREESTANDING	1	EA	
NI	CC30FCB	30" GRILL COVER FREESTANDING WITH SIDE BURNER	1	EA	
NI	20011	DRIP PAN, PORCELAIN	1	EA	
NI	90109	WINDSCREEN 30"	1	EA	
NI	LIJ30	30" INSULATED JACKET	1	EA	