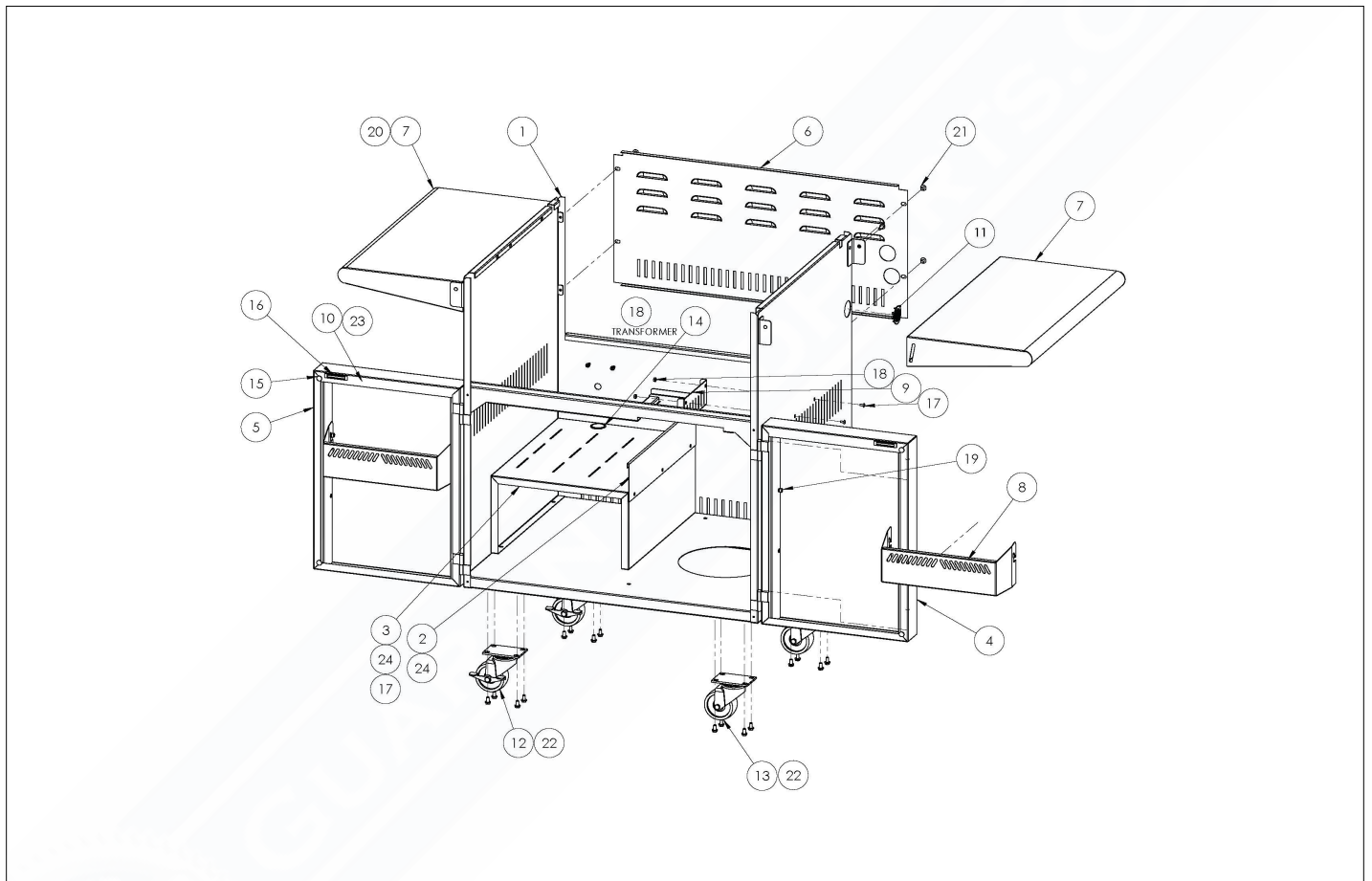


L30TRF

GUARANTEEDPARTS.COM

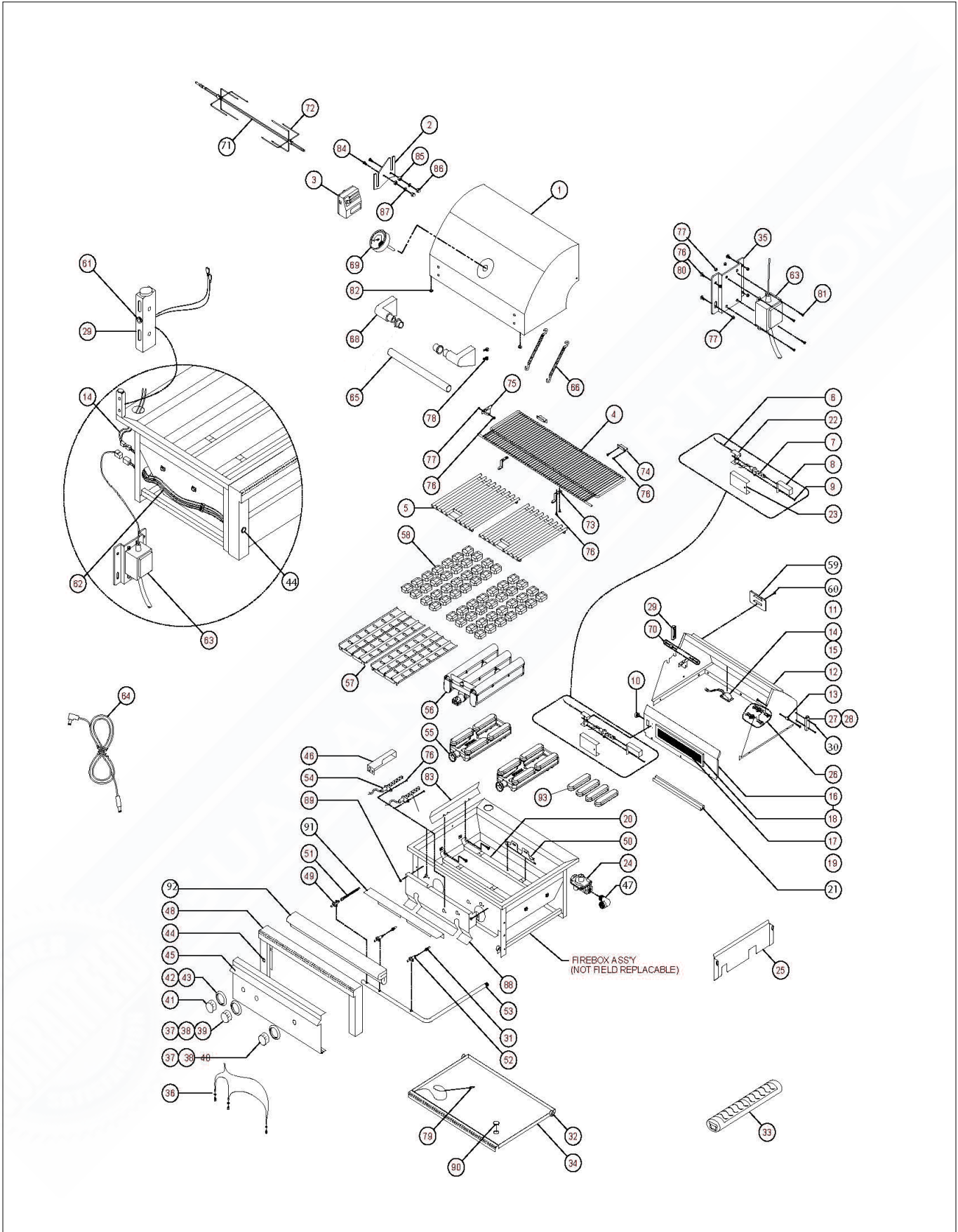


L30TRF CART



Item	Part No.	Name	Qty	Uom	NOTES
1	70028	FRAME WLDMNT 30" CABINET	1	EA	
2	31713	STORAGE SHELF END	1	EA	
3	31712	STORAGE SHELF, 30"	1	EA	NO LONGER AVAILABLE
4	70027	DOOR, 30", RH, WLDMT	1	EA	
5	70026	DOOR, 30", LH, WLDMNT	1	EA	
6	35400	REAR ACCESS PANEL, 30	1	EA	
7	32164	Side Shelf, 30/42/54	2	EA	
8	31754	BOTTLE HOLDER LDR30/18	2	EA	
9	70110	TANK BRACKET ASSY	1	EA	
10	11174	HANDLE, 5" OFFSET SS	2	EA	
11	30003	CB ACCESS PLUG	1	EA	
12	20024	Caster, 3" w/Brake	2	EA	
13	20047	Caster, 3" w/o Brake	2	EA	
14	31205	GROMMET, PLSTC, 1 I.D. X 1 3/8 O.D.	2	EA	
15	31583	Rubber Bumper, 1/2" dia x 1/16	4	EA	
16	31132	MAGNET, SINGLE, SNAP IN .38"	2	EA	
17	14014	SCREW	4	EA	
18	14024	LOCK NUT, #8-32, S/S	6	EA	
19	32222	SCREW, SHOULDER, #10-32 X 1/4, SLOTTED, SS	4	EA	
20	32202	SCREW, 1/4-20 X 3/4, PHP, SS	2	EA	
21	14012	SCREW, 1/4-20 X 3/8 PH TRUSS HD, S/S	4	EA	
22	30223	SCREW, 1/4-20 X 1/2, HWH, ST, ZN, SERR	16	EA	
23	30290	SCREW, 1/4-20 X 1/2	4	EA	
24	30292	RIVET, 5/32 X 3/8, BLIND, SS	7	EA	

L30TRF GRILL



Item	Part No.	Name	Qty	Uom	NOTES
1	80309	FRONT HOOD ASSY 30°	1	EA	
2	90132	MOTOR MOUNTING BRACKET, KIT, ALL PRO	1	EA	
3	80277	MOTOR ASSY, HEAVY DUTY 3 SPEED	1	EA	
4	32109	WARMING SHELF, PRO 30'	1	EA	
5	34704	(2) GRATES- 13 1/2° X 21'	2	EA	
6	20018	IR THERMOCOUPLE	1	EA	
7	33052	IR ELECTRODE, HOT SURFACE	1	EA	
NI	80487	WIRE ASSEMBLY, ROTIS	1	EA	
8	33093	GAS COLLECTOR BOX, IR ROTIS	1	EA	
9	14018	SCREW, #6-32 X 1/4 PH. PAN HD	1	EA	
10	31795	IR BRASS ELBOW, 7/16-20 MALE THREAD	1	EA	
11	32156	LIGHT PANEL/REAR HOOD LINER, 30'	1	EA	
12	81419	REAR HOOD ASSEMBLY 30	1	EACH	
13	90237	HOOD SPACER KIT	1	EA	
14	80446	HOOD LIGHT ASSY, SINGLE W/10W BULB	1	EA	
15	31979	BULB, REPLACEMENT, 10W HALOGEN	1	EA	
NI	32322	GLASS REPLACEMENT COVER W/CLIP	1	EA	
16	80273	IR PANEL ASSY, 30' (INCLUDES BURNER)	1	EA	
17	32989	IT ROTIS. BURNER ONLY (21 IN.)	1	EA	
18	32992	IR BURNER FRAME ONLY (21 IN.)	1	EA	
19	32644	SCREW, #8-32 X 5/16 PH. FLAT HD	1	EA	
20	32484	BURNER HANGER, PRO 30'	1	EA	
21	10159	WOODCHIP TRAY (27", 30", 54")	1	EA	
22	80790	IR IGNITER BRACKET, ALL PRO	1	EA	
23	33135	IR IGNITER COVER, 3 5/8"	1	EA	

Item	Part No.	Name	Qty	Uom	NOTES
24	30781	REGULATOR 4/11 N/G ONLY	1	EA	
24	13053	REGULATOR W/30" HOSE DOUBLE STAGE - LP	1	EA	
25	33662	FIRBOX PARTITION, PROSEAR 30", 42", 54"	1	EA	
26	90128	ROLLER BEARING KIT - ROTISSERIE (2 PARTS EA)	1	EA	
27	32468	HOOD STOP	1	EA	
28	32470	BUMPER FOR HOOD STOP, .750 DIA	1	EA	
29	33389	HOOD STOP, LEFT, ALL PRO	1	EA	
30	32469	SCREW/HOOD STOP - #8-32 X 1" PH TRUSS HD	1	EA	
31	PRONGK	COMPLETE ORIFICE FIELD KIT- LP TO NG	1	EA	
31	PROLPK	COMPLETE ORIFICE FIELD KIT- NG TO LP	1	EA	
NI	30329	ORIFICE,BURNER, NG (#41 LONG)	1	EA	
NI	30328	ORIFICE,BURNER, LP (#53 LONG)	1	EA	
NI	13015	ORIFICE,BURNER, NG (#44 SHORT)	1	EA	
NI	13020	ORIFICE, BURNER, LP (#54 SHORT)	1	EA	
NI	13016	ORIFICE, IR ROTIS, NG (#50 SHORT)	1	EA	
NI	13021	ORIFICE, IR ROTIS, LP (#57 SHORT)	1	EA	
32	90129	ROLLER BEARING KIT	1	EA	
33	34586	SMOKER BOX KIT	1	EA	
34	90224	DRIP PAN ASSEMBLY 30"	1	EA	
35	33130	TRANSFORMER MOUNTING BRKT B/I & F/S	1	EA	
36	80435	LED HARNESS ASSY, L500 W/IR	1	EA	
NI	32554	LED HOLDER (INCLUDES NUT)	3	EA	
NI	32055	WASHER	3	EA	
37	90137	KNOB, BURNER, STAINLESS	1	EA	

Item	Part No.	Name	Qty	Uom	NOTES
38	90139	STAINLESS KNOB KIT (3 BURNER + 1 ROTIS)	1	EA	
39	90231	KNOB KIT, STAINLESS (2 BURNER+1 TRI. +1 ROTIS)	1	EA	
40	90230	KNOB, TRIDENT BURNER	1	EA	
41	90136	KNOB, ROTIS, STAINLESS	1	EA	
42	10001	BEZEL	1	EA	
43	31929	BEZEL SCREW, #6-32 X 1/8 PH PAN	1	EA	
44	33148	LIGHT SWITCH + HARNESS, BLUE LIGHTED	1	EA	
45	80539	FRONT PANEL, 30"	1	EA	
NI	11074	LOGO, LYNX	1	EA	
46	36438	GAS COLLECTOR BOX, CERAMIC-BURNER	1	EA	
47	13010	ELBOW, STREET, 1/2" 90 DEGREE - NG ONLY	1	EA	
47	13054	ELBOW, 3/8" FLARE TO 1/2" FIP - LP ONLY	1	EA	
48	80516	BULLNOSE ASS'Y, PRO 30"	1	EA	
49	31772	IR BURNER VALVE W/MICROSWITCH	1	EA	
50	33405	BURNER SUPPORT, PROSEAR-2 30, 42, 54	1	EA	
NI	14030	BOLT, HEX HEAD, 1/4-20 X 1/2", S/S	2	EA	
51	31794	FLEX HOSE, 9MM X 38" W/ 7/16 FITTINGS	1	EA	
52	34103	MAIN BURNER VALVE W/MICROSWITCH	1	EA	
NI	32845	MICROSWITCH	1	EA	
NI	34197	SCREW	1	EA	
53	80211	MANIFOLD ASS'Y W/VALVES, 30' LP PRDSEAR	1	EA	
53	80213	MANIFOLD ASS'Y W/VALVES, 30' NG PRDSEAR	1	EA	
54	33051	ELECTRODE, MAIN BURNER, HOT SURFACE	1	EA	
NI	90185	COMPLETE ELECTRODE KIT, 27"/30" IR	1	EA	

Item	Part No.	Name	Qty	Uom	NOTES
NI	80431	IGNITION WIRE HARNESS, 27 & 30	1	EA	
55	90274	Ceramic Burner Enhancement kit, See LISO-0004A	1	each	
	NOTE	(REPLACES ORIGINAL)		EA	
	81430	BURNER, CERAMIC ASSY	1	EA	
	NOTE	(CAN USE AFTER KIT IS INSTALLED)		EA	
56	33415	PROSEAR-2 BURNER, 30", 42", 54"	1	EA	
NI	90181	SCREEN REPLACEMENT, PROSEAR 2 BURNER	1	EA	
57	80645	BRIQUETTE TRAY ONLY WIDE	1	EA	
NI	90191	BRIQ TRAY ASSY. 30,42,54 WIDE	1	EA	
	31679	BRIQUETTE CENTER CLIP	30	EA	
	31680	BRIQUETTE END CLIP	10	EA	
58	90053	BRIQUETTES, 35 PER BOX	1	EA	
NI	31588	BRIQUETTE, SINGLE		EA	
59	30417	IR ACCESS COVER	1	EA	
60	14012	SCREW, 1/4-20 X 3/8 PH TRUSS HD, S/S	1	EA	
61	80440	ROTISERIE JACK + INTERNAL HARNESS	1	EA	
NI	33129	JACK ONLY, DC PANEL MOUNT	1	EA	
62	80533	MAIN POWER HARNESS (27IR, 30, 36, 42, 54)	1	EA	
63	36971	POWER SUPPLY (5 AMP)	1	each	
64	33416	ROTISERIE EXTERNAL CORD	1	EA	
65	32522	HOOD HANDLE, 30°	1	EA	
66	31874	EXTENSION SPRING ASM W/HOOK (NEED TWO PER UNIT)	1	EA	
NI	14024	LOCK NUT, #8-32, S/S	2	EA	
NI	31782	SHOULDER SCREW	2	EA	
68	31736	END CAP, HOOD HANDLE WITH INSU	1	EA	

Item	Part No.	Name	Qty	Uom	NOTES
69	35765	HOOD THERMOMETER, SEALED BLACK	1	EA	
NI	33573	WASHER FOR HOOD THERMOMETER	1	EA	
70	14013	PIVOT SCREW, 1/4-20 X 1" HEX DRIVE	1	EA	
NI	14009	PIVOT SCREW NUT, HEX, 1/4- 20 S/S	1	EA	
NI	14026	PIVOT WASHER, SPLIT LOCK, 1/4 S/S	1	EA	
71	32128	SPIT ROD, 30'	1	EA	
72	36995	FORK ROTIS, L500-L36, SMALL	1	EA	
NI	31061	THUMB SCREW	2	EA	
73	33033	FRONT RETAINING BKT, WARMING RACK	1	EA	
74	32133	REAR RETAINING BRACKET, WARMING RACK	1	EA	
75	33597	LEFT RETAINING BRACKET, WARMING RACK	1	EA	
76	14014	SCREW	1	EA	
77	14024	LOCK NUT, #8-32, S/S	1	EA	
78	31930	BOLT, HEX HEAD, 1/4-20 X 3/8" S/S	4	EA	
79	31031	ALTERNATE LIGHT DEVICE, MATCH HOLDER	1	EA	
80	31013	SCREW, #8 X 1/2 PH TRUSS HD TYPE 'A'	1	EA	
81	31649	SCREW, #8-32 X 5/8, PHP, SS	1	EA	
82	32477	BUMPER 1/2" DIA, RUBBER, PRESS IN	2	EA	
83	33609	BRIQUETTE DIVIDER 30", 42", 54"	1	EA	
84	14099	SCREW, #10-24 X 3/4 PH FLAT HD S/S	1	EA	
85	32939	ROTIS. SPACER	1	EA	
86	32196	NUT, ACORN, #10-24, S/S	1	EA	
87	32197	WASHER, #10 SPLIT LOCK, S/S	1	EA	
88	33654	HEAT SHIELD, TRIDENT 30"	1	EA	
89	14023	NUT, COMBINATION (FOR HEAT SHIELD)	1	EA	

Item	Part No.	Name	Qty	Uom	NOTES
90	90151	DRAIN PLUG AND SEAL KIT, DRIP PAN	1	EA	
91	34676	RETAINER, INSULATION	1	EA	
92	90248	INSULATION (30" X 6")	1	EA	
93	90265	BURNER CAP (SET OF 4)	1	EA	
94	33556	IGNITER SHORT, HOT POINT	1	EA	
NI	CC30	30" GRILL COVER BUILT-IN	1	EA	
NI	CC30F	30" GRILL COVER FREESTANDING	1	EA	
NI	CC30FCB	30" GRILL COVER FREESTANDING WITH SIDE BURNER	1	EA	
NI	20011	DRIP PAN, PORCELAIN	1	EA	
NI	90109	WINDSCREEN 30"	1	EA	
NI	LIJ30	30" INSULATED JACKET	1	EA	