

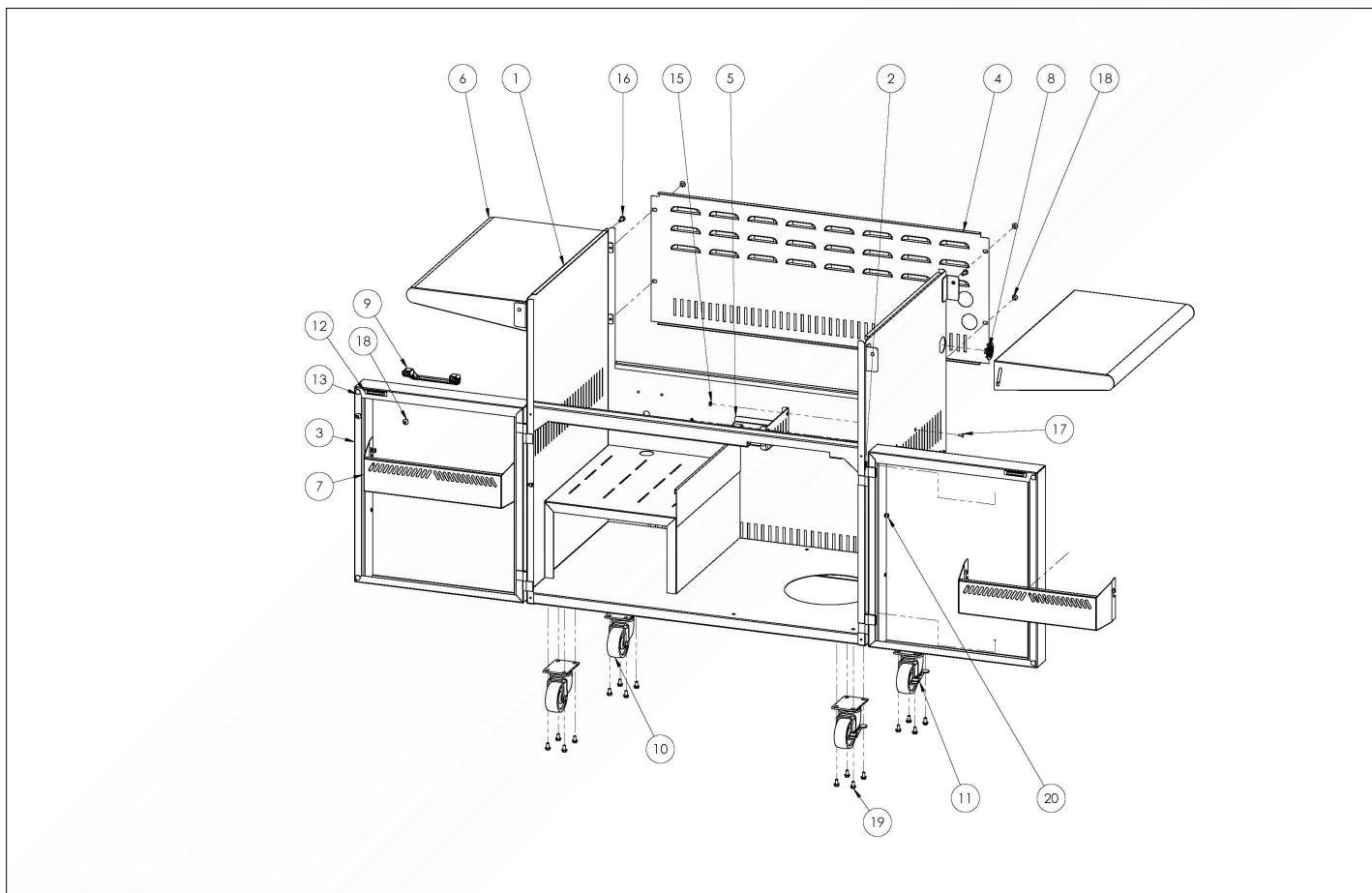
L36ATRF

**36" FREESTANDING GRILL ALL TRIDENT
W/ROTIS**



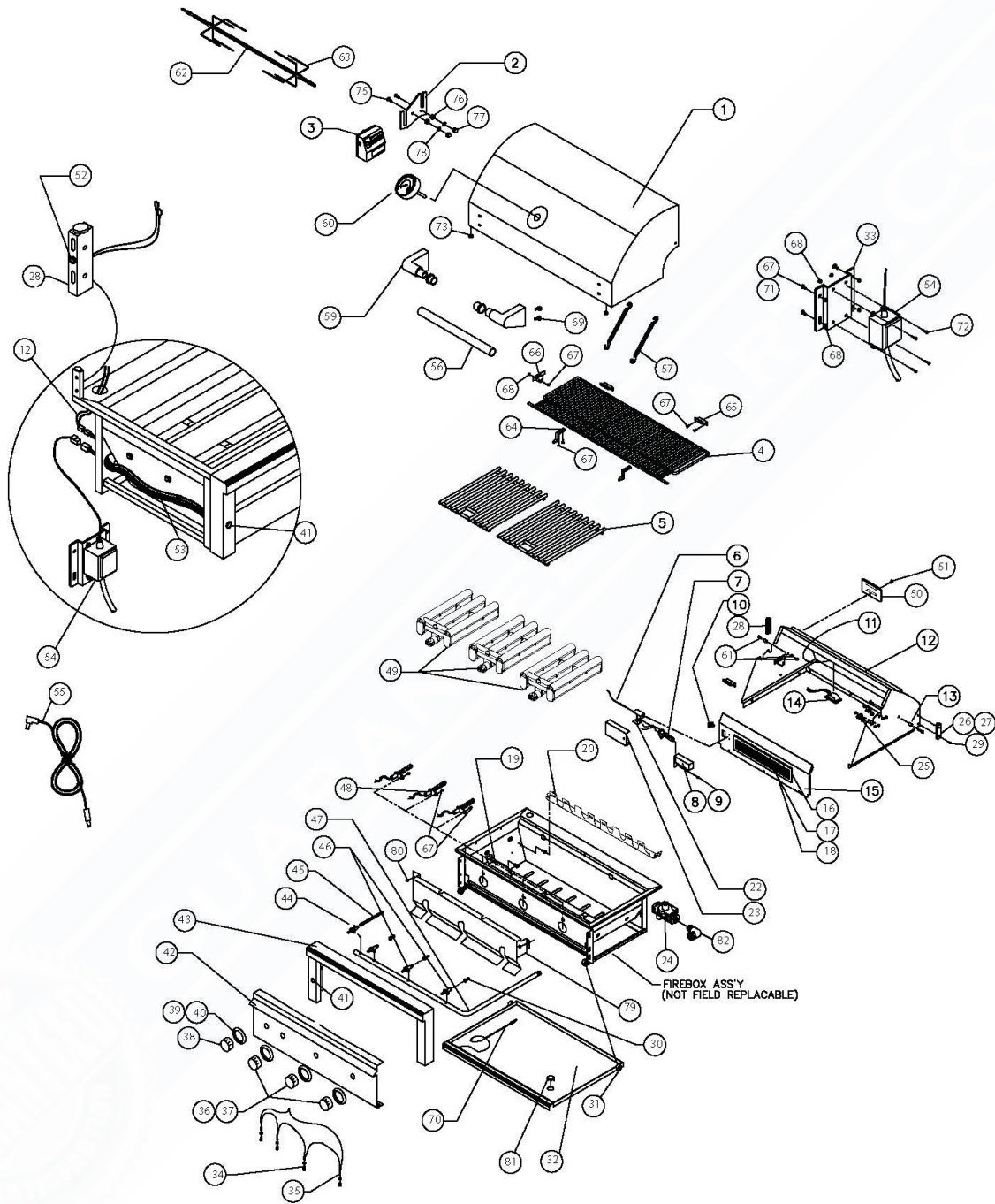
GUARANTEEDPARTS.COM

L36ATRF CART



Item	Part No.	Name	Qty	Uom	NOTES
1	70031	FRAME ASSEMBLY 36" CABINET	1	EA	
2	70030	DOOR RH ASSY, 36"/54" WLDMT	1	EA	
3	70029	DOOR LH ASSY, WLDMNT	1	EA	
4	35401	REAR ACCESS PANEL, 36	1	EA	
5	70110	TANK BRACKET ASSY	1	EA	
6	32165	SIDE SHELF, PRO 36/27	2	EA	
7	31755	BOTTLE HOLDER (LDR36)	2	EA	
8	30003	CB ACCESS PLUG	1	EA	
9	11174	HANDLE, 5" OFFSET SS	2	EA	
10	20047	Caster, 3" w/o Brake	2	EA	
11	20024	Caster, 3" w/Brake	2	EA	
12	31132	MAGNET, SINGLE, SNAP IN .38"	2	EA	
13	31583	Rubber Bumper, 1/2" dia x 1/16	4	EA	
NI	31205	GROMMET, PLSTC, 1 I.D. X 1 3/8 O.D.	1	EA	
15	14024	LOCK NUT, #8-32, S/S	2	EA	
16	32202	SCREW, 1/4-20 X 3/4, PHP, SS	2	EA	
17	14014	SCREW	2	EA	
18	14012	SCREW, 1/4-20 X 3/8 PH TRUSS HD, S/S	8	EA	
19	30223	SCREW, 1/4-20 X 1/2, HWH, ST, ZN, SERR	16	EA	
20	32222	SCREW, SHOULDER, #10-32 X 1/4, SLOTTED, SS	4	EA	

L36ATRF GRILL



Item	Part No.	Name	Qty	Uom	NOTES
1	80310	FRONT HOOD ASSY, 36"	1	EA	
2	32940	BRACKET, MOUNT, ROTIS MOTOR	1	EA	
3	80277	MOTOR ASSY, HEAVY DUTY 3 SPEED	1	EA	
4	32110	WARMING SHELF, PRO 36"	1	EA	
5	34706	(2) GRATES 16 1/2" X 18 1/2"	2	EA	
6	20018	IR THERMOCOUPLE	1	EA	
7	33052	IR ELECTRODE, HOT SURFACE	1	EA	
NI	80487	WIRE ASSEMBLY, ROTIS	1	EA	
8	33093	GAS COLLECTOR BOX, IR ROTIS	1	EA	
9	14018	SCREW, #6-32 X 1/4 PH. PAN HD	3	EA	
10	31795	IR BRASS ELBOW, 7/16-20 MALE THREAD	1	EA	
11	32441	LIGHT PANEL FOR DUAL LIGHTS, 36"	1	EA	
12	81423	REAR HOOD ASSEMBLY 36	1	EACH	
13	34510	HOOD SPACER	2	EA	
14	80447	HOOD LIGHT ASSY, DUAL W/10W BULB	1	EA	
NI	31979	BULB, REPLACEMENT, 10W HALOGEN	1	EA	
NI	32322	GLASS REPLACEMENT COVER W/CLIP	1	EA	
15	80274	IR PANEL ASSY, 36" (INCLUDES BURNER)	1	EA	
16	32989	IT ROTIS. BURNER ONLY (21 IN.)	1	EA	
17	32992	IR BURNER FRAME ONLY (21 IN.)	1	EA	
18	32644	SCREW, #8-32 X 5/16 PH. FLAT HD	2	EA	
19	36674	BURNER-HANGER, 36	1	EA	
20	33445	BURNER HANGER, REAR, 36" ALL-TRIDENT	1	EA	
22	80790	IR IGNITER BRACKET, ALL PRO	1	EA	

Item	Part No.	Name	Qty	Uom	NOTES
23	33136	IR IGNITER COVER, 4-1/8"	1	EA	
24	30781	REGULATOR 4/11 N/G ONLY	1	EA	
24	13053	REGULATOR W/30" HOSE DOUBLE STAGE - LP	1	EA	
25	90128	ROLLER BEARING KIT - ROTISSERIE (2 PARTS EA)	1	EA	
26	32468	HOOD STOP	1	EA	
27	32470	BUMPER FOR HOOD STOP, .750 DIA	2	EA	
28	33389	HOOD STOP, LEFT, ALL PRO	1	EA	
29	32469	SCREW/HOOD STOP - #8-32 X 1" PH TRUSS HD	4	EA	
30	90176	COMPLETE ORIFICE FIELD KIT - LP TO NG	1	EA	
NI	90177	COMPLETE ORIFICE FIELD KIT - NG TO LP	1	EA	
NI	13016	ORIFICE, IR ROTIS, NG (#50 SHORT)	1	EA	
NI	13021	ORIFICE, IR ROTIS, LP (#57 SHORT)	1	EA	
NI	13015	ORIFICE, BURNER, NG (#44 SHORT)	3	EA	
NI	13020	ORIFICE, BURNER, LP (#54 SHORT)	3	EA	
31	90129	ROLLER BEARING KIT	1	EA	
32	90225	DRIP PAN COMPLETE, PRO 36"	1	EA	
33	33130	TRANSFORMER MOUNTING BRKT B/I & F/S	1	EA	
34	80436	LED HARNESS ASSY, L600/L700 W/IR	1	EA	
35	32554	LED HOLDER (INCLUDES NUT)	4	EA	
NI	32055	WASHER	4	EA	
36	90230	KNOB, TRIDENT BURNER	3	EA	
37	90232	KNOB, KIT, STAINLESS (3 BURNER + 1 ROTIS)	1	EA	
38	90136	KNOB, ROTIS, STAINLESS	1	EA	
39	10001	BEZEL	4	EA	
40	31929	BEZEL SCREW, #6-32 X 1/8 PH PAN	8	EA	

Item	Part No.	Name	Qty	Uom	NOTES
41	33148	LIGHT SWITCH + HARNESS, BLUE LIGHTED	1	EA	
42	80538	FRONT PANEL, PRO 36"	1	EA	
NI	11074	LOGO, LYNX	1	EA	
43	80515	BULLNOSE ASS'Y, PRO 36"	1	EA	
44	31772	IR BURNER VALVE W/MICROSWITCH	1	EA	
45	31794	FLEX HOSE, 9MM X 38" W/ 7/16 FITTINGS	1	EA	
46	34103	MAIN BURNER VALVE W/MICROSWITCH	3	EA	
NI	32845	MICROSWITCH	3	EA	
	34197	SCREW	3	EA	
47	80562	MANIFOLD ASSY W/VALVES, 36" NG ALL - TRIDENT	1	EA	
47	80561	MANIFOLD ASSY W/VALVES, 36" LP ALL - TRIDENT	1	EA	
48	33556	IGNITER SHORT, HOT POINT	3	EA	
49	33478	TRIDENT BURNER, SHORT, 27"/36"	3	EA	
NI	90179	SCREEN REPLACEMENT, TRIDENT 2 BURNER, 27/36	3	EA	
50	30417	IR ACCESS COVER	1	EA	
51	14012	SCREW, 1/4-20 X 3/8 PH TRUSS HD, S/S	1	EA	
52	80440	ROTISERIE JACK + INTERNAL HARNESS	1	EA	
NI	33129	JACK ONLY, DC PANEL MOUNT	1	EA	
53	80533	MAIN POWER HARNESS (27IR, 30, 36, 42, 54)	1	EA	
54	36971	POWER SUPPLY (5 AMP)	1	each	
55	33416	ROTISERIE EXTERNAL CORD	1	EA	
56	32523	HOOD HANDLE, 36"	1	EA	
57	31780	EXTENSION SPRING	2	EA	
NI	14024	LOCK NUT, #8-32, S/S	2	EA	
NI	31782	SHOULDER SCREW	2	EA	
59	31736	END CAP, HOOD HANDLE WITH INSU	2	EA	

Item	Part No.	Name	Qty	Uom	NOTES
60	35765	HOOD THERMOMETER, SEALED BLACK	1	EA	
61	14013	PIVOT SCREW, 1/4-20 X 1" HEX DRIVE	2	EA	
NI	14009	PIVOT SCREW NUT, HEX, 1/4- 20 S/S	2	EA	
NI	14026	PIVOT WASHER, SPLIT LOCK, 1/4 S/S	6	EA	
62	32129	SPIT ROD, PRO 36"	1	EA	
63	36995	FORK ROTIS, L500-L36, SMALL	2	EA	
NI	31061	THUMB SCREW	2	EA	
64	33033	FRONT RETAINING BKT, WARMING RACK	2	EA	
65	32133	REAR RETAINING BRACKET, WARMING RACK	2	EA	
66	33597	LEFT RETAINING BRACKET, WARMING RACK	1	EA	
67	14014	SCREW	4	EA	
68	14024	LOCK NUT, #8-32, S/S	4	EA	
69	31930	BOLT, HEX HEAD, 1/4-20 X 3/8" S/S	17	EA	
70	31031	ALTERNATE LIGHT DEVICE, MATCH HOLDER	1	EA	
71	31013	SCREW, #8 X 1/2 PH TRUSS HD TYPE 'A'	1	EA	
72	31649	SCREW, #8-32 X 5/8, PHP, SS	4	EA	
73	32477	BUMPER 1/2" DIA, RUBBER, PRESS IN	4	EA	
75	14099	SCREW, #10-24 X 3/4 PH FLAT HD S/S	6	EA	
76	32939	ROTIS. SPACER	2	EA	
77	32196	NUT, ACORN, #10-24, S/S	2	EA	
78	32197	WASHER, #10 SPLIT LOCK, S/S	2	EA	
79	33592	HEAT SHIELD, 36" AT	1	EA	
80	14023	NUT, COMBINATION (FOR HEAT SHIELD)	2	EA	
81	90151	DRAIN PLUG AND SEAL KIT, DRIP PAN	1	EA	
82	13010	ELBOW, STREET, 1/2" 90 DEGREE - NG ONLY	1	EA	

Item	Part No.	Name	Qty	Uom	NOTES
82	13054	ELBOW, 3/8" FLARE TO 1/2" FIP - LP ONLY	1	EA	
NI	CC36	36" GRILL COVER BUILT-IN	1	EA	
NI	CC36F	36" GRILL COVER FREESTANDING	1	EA	
NI	CC36FCB	36" GRILL COVER FREESTANDING WITH SIDE BURNER	1	EA	
NI	20011	DRIP PAN, PORCELAIN	1	EA	
NI	90126	WINDSCREEN 36"	1	EA	
NI	LIJ36	36" INSULATED JACKET	1	EA	