

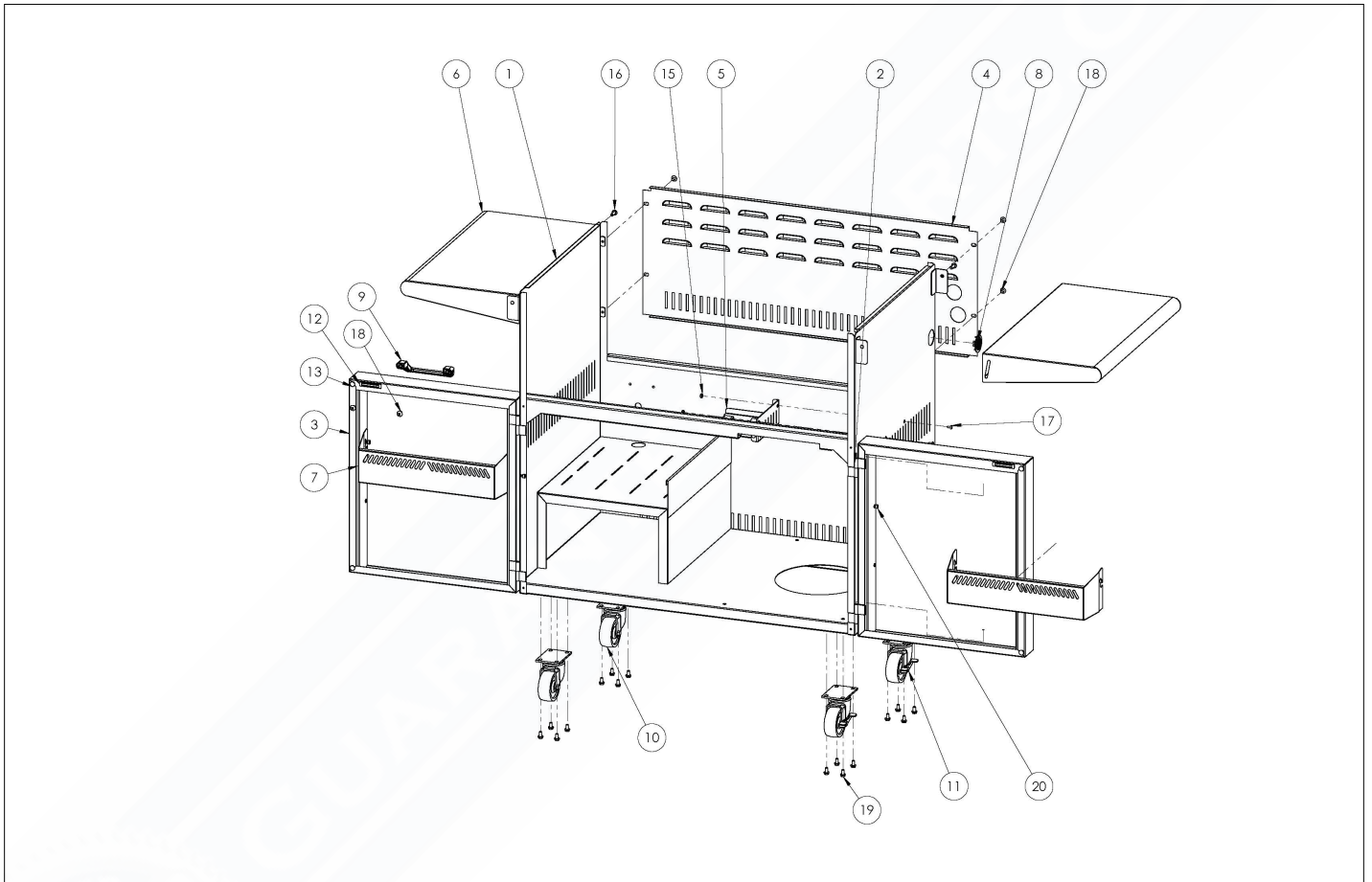
L36TRF

36" FREESTANDING FRILL W/TRIDENT & ROTIS

GUARANTEEDPARTS.COM

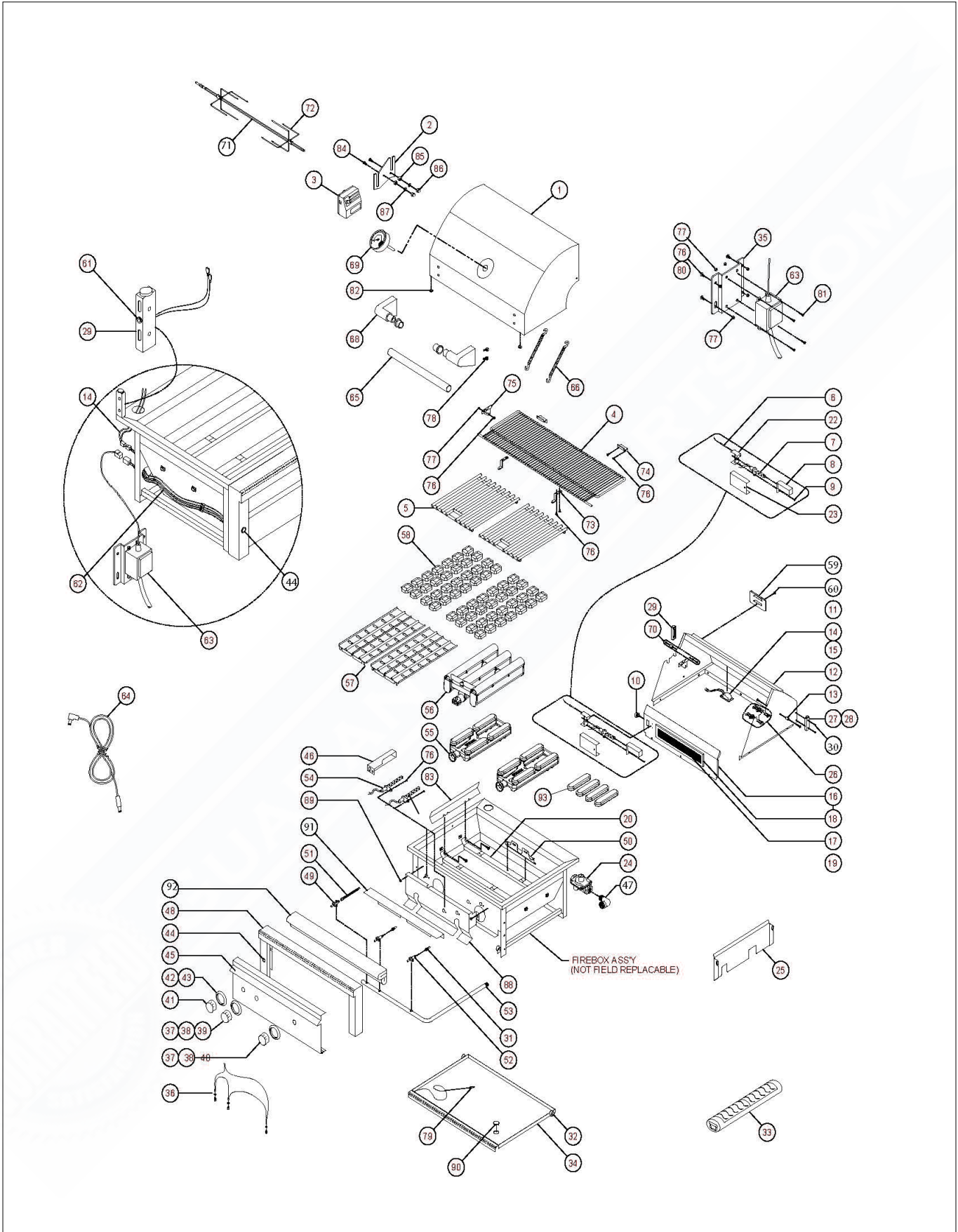


L36TRF CART



Item	Part No.	Name	Qty	Uom	NOTES
1	70031	FRAME ASSEMBLY 36" CABINET	1	EA	
2	70030	DOOR RH ASSY, 36"/54" WLDMT	1	EA	
3	70029	DOOR LH ASSY, WLDMNT	1	EA	
4	35401	REAR ACCESS PANEL, 36	1	EA	
5	70110	TANK BRACKET ASSY	1	EA	
6	32165	SIDE SHELF, PRO 36/27	2	EA	
7	31755	BOTTLE HOLDER (LDR36)	2	EA	
8	30003	CB ACCESS PLUG	1	EA	
9	11174	HANDLE, 5" OFFSET SS	2	EA	
10	20047	Caster, 3" w/o Brake	2	EA	
11	20024	Caster, 3" w/Brake	2	EA	
12	31132	MAGNET, SINGLE, SNAP IN .38"	2	EA	
13	31583	Rubber Bumper, 1/2" dia x 1/16	4	EA	
NI	31205	GROMMET, PLSTC, 1 I.D. X 1 3/8 O.D.	1	EA	
15	14024	LOCK NUT, #8-32, S/S	2	EA	
16	32202	SCREW, 1/4-20 X 3/4, PHP, SS	2	EA	
17	14014	SCREW	2	EA	
18	14012	SCREW, 1/4-20 X 3/8 PH TRUSS HD, S/S	8	EA	
19	30223	SCREW, 1/4-20 X 1/2, HWH, ST, ZN, SERR	16	EA	
20	32222	SCREW, SHOULDER, #10-32 X 1/4, SLOTTED, SS	4	EA	

L36TRF GRILL



Item	Part No.	Name	Qty	Uom	NOTES
1	80310	FRONT HOOD ASSY, 36"	1	EA	
2	32940	BRACKET, MOUNT, ROTIS MOTOR	1	EA	
3	80277	MOTOR ASSY, HEAVY DUTY 3 SPEED	1	EA	
4	32110	WARMING SHELF, PRO 36"	1	EA	
5	34706	(2) GRATES 16 1/2" X 18 1/2"	2	EA	
6	20018	IR THERMOCOUPLE	1	EA	
7	33052	IR ELECTRODE, HOT SURFACE	1	EA	
NI	80487	WIRE ASSEMBLY, ROTIS	1	EA	
8	33093	GAS COLLECTOR BOX, IR ROTIS	1	EA	
9	14018	SCREW, #6-32 X 1/4 PH. PAN HD	3	EA	
10	31795	IR BRASS ELBOW, 7/16-20 MALE THREAD	1	EA	
11	32441	LIGHT PANEL FOR DUAL LIGHTS, 36"	1	EA	
12	81423	REAR HOOD ASSEMBLY 36	1	EACH	
13	34510	HOOD SPACER	2	EA	
14	80447	HOOD LIGHT ASSY, DUAL W/10W BULB	1	EA	
15	31979	BULB, REPLACEMENT, 10W HALOGEN	1	EA	
NI	32322	GLASS REPLACEMENT COVER W/CLIP	1	EA	
16	80274	IR PANEL ASSY, 36" (INCLUDES BURNER)	1	EA	
17	32989	IT ROTIS. BURNER ONLY (21 IN.)	1	EA	
18	32992	IR BURNER FRAME ONLY (21 IN.)	1	EA	
19	32644	SCREW, #8-32 X 5/16 PH. FLAT HD	2	EA	
20	36674	BURNER-HANGER, 36	2	EA	
22	80790	IR IGNITER BRACKET, ALL PRO	1	EA	
23	33136	IR IGNITER COVER, 4-1/8"	1	EA	
24	30781	REGULATOR 4/11 N/G ONLY	1	EA	

Item	Part No.	Name	Qty	Uom	NOTES
24	13053	REGULATOR W/30" HOSE DOUBLE STAGE - LP	1	EA	
25	33663	FIREBOX PARTITION, TRIDENT 27"/36"	1	EA	
26	90128	ROLLER BEARING KIT - ROTISSERIE (2 PARTS EA)	1	EA	
27	32468	HOOD STOP	1	EA	
28	32470	BUMPER FOR HOOD STOP, .750 DIA	2	EA	
29	33389	HOOD STOP, LEFT, ALL PRO	1	EA	
30	32469	SCREW/HOOD STOP - #8-32 X 1" PH TRUSS HD	4	EA	
31	PRENGK	COMPLETE ORIFICE FIELD KIT - LP TO NG	1	EA	
31	PRELPK	COMPLETE ORIFICE FIELD KIT - NG TO LP	1	EA	
NI	13013	ORIFICE, BURNER, NG #41 SHORT	1	EA	
NI	13019	ORIFICE, BURNER, LP #53 SHORT	2	EA	
NI	13015	ORIFICE, BURNER, NG (#44 SHORT)	1	EA	
NI	13020	ORIFICE, BURNER, LP (#54 SHORT)	1	EA	
NI	13016	ORIFICE, IR ROTIS, NG (#50 SHORT)	1	EA	
NI	13021	ORIFICE, IR ROTIS, LP (#57 SHORT)	1	EA	
32	90129	ROLLER BEARING KIT	1	EA	
33	34586	SMOKER BOX KIT	1	EA	
34	31494	DRIP PAN, 36"	1	EA	
35	33130	TRANSFORMER MOUNTING BRKT B/I & F/S	1	EA	
36	80436	LED HARNESS ASSY, L600/L700 W/IR	1	EA	
NI	32554	LED HOLDER (INCLUDES NUT)	4	EA	
NI	32055	WASHER	4	EA	
37	90137	KNOB, BURNER, STAINLESS	2	EA	
38	90139	STAINLESS KNOB KIT (3 BURNER + 1 ROTIS)	1	EA	

Item	Part No.	Name	Qty	Uom	NOTES
39	90231	KNOB KIT, STAINLESS (2 BURNER+1 TRI. +1 ROTIS)	1	EA	
40	90230	KNOB, TRIDENT BURNER	1	EA	
41	90136	KNOB, ROTIS, STAINLESS	1	EA	
42	10001	BEZEL	4	EA	
43	31929	BEZEL SCREW, #6-32 X 1/8 PH PAN	8	EA	
44	33148	LIGHT SWITCH + HARNESS, BLUE LIGHTED	1	EA	
45	80538	FRONT PANEL, PRO 36"	1	EA	
NI	11074	LOGO, LYNX	1	EA	
46	36438	GAS COLLECTOR BOX, CERAMIC-BURNER	2	EA	
47	13010	ELBOW, STREET, 1/2" 90 DEGREE - NG ONLY	1	EA	
47	13054	ELBOW, 3/8" FLARE TO 1/2" FIP - LP ONLY	1	EA	
48	80515	BULLNOSE ASS'Y, PRO 36"	1	EA	
49	31772	IR BURNER VALVE W/MICROSWITCH	1	EA	
50	33809	BURNER SUPPORT, TRIDENT 27,36	1	EA	
51	31794	FLEX HOSE, 9MM X 38" W/ 7/16 FITTINGS	1	EA	
52	34103	MAIN BURNER VALVE W/MICROSWITCH	1	EA	
NI	32845	MICROSWITCH	1	EA	
NI	34197	SCREW	1	EA	
53	80656	MANIFOLD ASSY, 36 PS2 LP	1	EA	
53	80229	MANIFOLD ASS'Y W/VALVES, 36" NG TRIDENT	1	EA	
54	33051	ELECTRODE, MAIN BURNER, HOT SURFACE	2	EA	
NI	90187	COMPLETE ELECTRODE KIT, 36" /42"	1	EA	
NI	80432	IGNITION WIRE HARNESS 36 & 42	1	EA	
55	90274	Ceramic Burner Enhancement kit, See LISO-0004A	2	each	
	NOTE	(REPLACES ORIGINAL)		EA	

Item	Part No.	Name	Qty	Uom	NOTES
	81430	BURNER, CERAMIC ASSY	2	EA	
	NOTE	(CAN USE AFTER KIT IS INSTALLED)		EA	
56	33478	TRIDENT BURNER, SHORT, 27"/36"	1	EA	
NI	90179	SCREEN REPLACEMENT, TRIDENT 2 BURNER, 27/36	1	EA	
57	80643	BRIQUETTE TRAY, 27", 36"	2	EA	
NI	90189	COMPLETE TRAY W/BRIQUETTES & CLIPS	2	EA	
58	90053	BRIQUETTES, 35 PER BOX	1	EA	
NI	31588	BRIQUETTE, SINGLE		EA	
59	30417	IR ACCESS COVER	1	EA	
60	14012	SCREW, 1/4-20 X 3/8 PH TRUSS HD, S/S	8	EA	
61	80440	ROTISERIE JACK + INTERNAL HARNESS	1	EA	
NI	33129	JACK ONLY, DC PANEL MOUNT	1	EA	
62	80533	MAIN POWER HARNESS (27IR, 30, 36, 42, 54)	1	EA	
63	36971	POWER SUPPLY (5 AMP)	1	each	
64	33416	ROTISERIE EXTERNAL CORD	1	EA	
65	32523	HOOD HANDLE, 36"	1	EA	
66	31780	EXTENSION SPRING	2	EA	
NI	14024	LOCK NUT, #8-32, S/S	4	EA	
NI	31782	SHOULDER SCREW	4	EA	
68	31736	END CAP, HOOD HANDLE WITH INSU	2	EA	
69	35765	HOOD THERMOMETER, SEALED BLACK	1	EA	
NI	33573	WASHER FOR HOOD THERMOMETER	1	EA	
70	14013	PIVOT SCREW, 1/4-20 X 1" HEX DRIVE	2	EA	
NI	14009	PIVOT SCREW NUT, HEX, 1/4-20 S/S	2	EA	
NI	14026	PIVOT WASHER, SPLIT LOCK, 1/4 S/S	6	EA	
71	32129	SPIT ROD, PRO 36"	1	EA	

Item	Part No.	Name	Qty	Uom	NOTES
72	36995	FORK ROTIS, L500-L36, SMALL	2	EA	
NI	31061	THUMB SCREW	2	EA	
73	33033	FRONT RETAINING BKT, WARMING RACK	2	EA	
74	32133	REAR RETAINING BRACKET, WARMING RACK	2	EA	
75	33597	LEFT RETAINING BRACKET, WARMING RACK	1	EA	
76	14014	SCREW	2	EA	
77	14024	LOCK NUT, #8-32, S/S	4	EA	
78	31930	BOLT, HEX HEAD, 1/4-20 X 3/8" S/S	4	EA	
79	31031	ALTERNATE LIGHT DEVICE, MATCH HOLDER	1	EA	
80	31013	SCREW, #8 X 1/2 PH TRUSS HD TYPE 'A'	1	EA	
81	31649	SCREW, #8-32 X 5/8, PHP, SS	4	EA	
82	32477	BUMPER 1/2" DIA, RUBBER, PRESS IN	2	EA	
83	33751	BRIQUETTE HEAT DIVIDER	1	EA	
84	14099	SCREW, #10-24 X 3/4 PH FLAT HD S/S	6	EA	
85	32939	ROTIS. SPACER	2	EA	
86	32196	NUT, ACORN, #10-24, S/S	2	EA	
87	32197	WASHER, #10 SPLIT LOCK, S/S	2	EA	
88	33653	HEAT SHIELD, TRIDENT 36"	1	EA	
89	14023	NUT, COMBINATION (FOR HEAT SHIELD)	2	EA	
90	90151	DRAIN PLUG AND SEAL KIT, DRIP PAN	1	EA	
91	34630	RETAINER, INSULATION	1	EA	
92	90249	INSULATION (36" X 6")	1	EA	
93	90265	BURNER CAP (SET OF 4)	2	EA	
94	33556	IGNITER SHORT, HOT POINT	2	EA	
NI	CC36	36" GRILL COVER BUILT-IN	1	EA	
NI	CC36F	36" GRILL COVER FREESTANDING	1	EA	

Item	Part No.	Name	Qty	Uom	NOTES
NI	CC36FCB	36" GRILL COVER FREESTANDING WITH SIDE BURNER	1	EA	
NI	20011	DRIP PAN, PORCELAIN	1	EA	
NI	90126	WINDSCREEN 36"	1	EA	
NI	LIJ36	36" INSULATED JACKET	1	EA	