

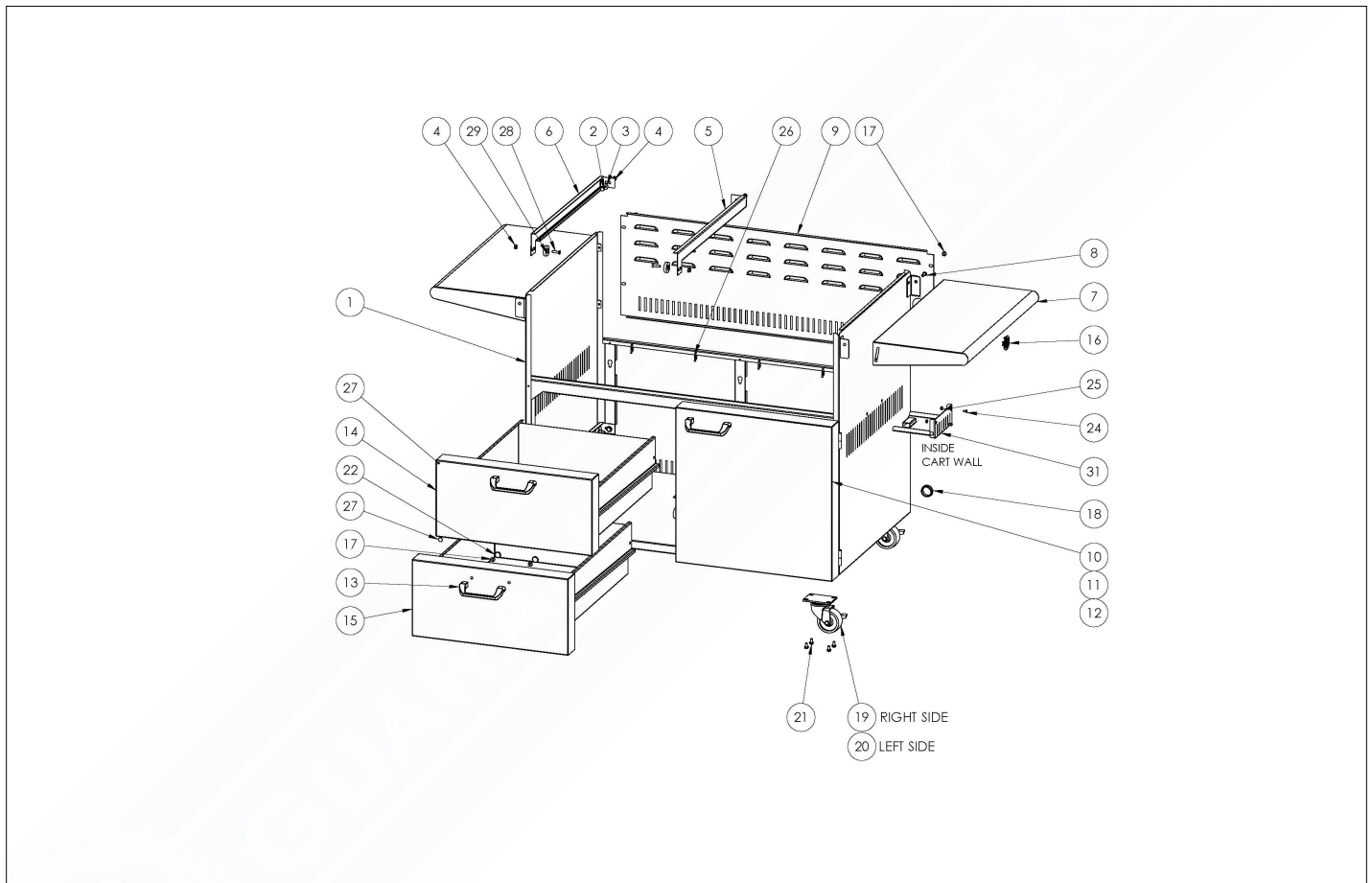
L42ATRF

42" FREESTANDING GRILL ALL TRIDENT
W/ROTIS



GUARANTEEDPARTS.COM

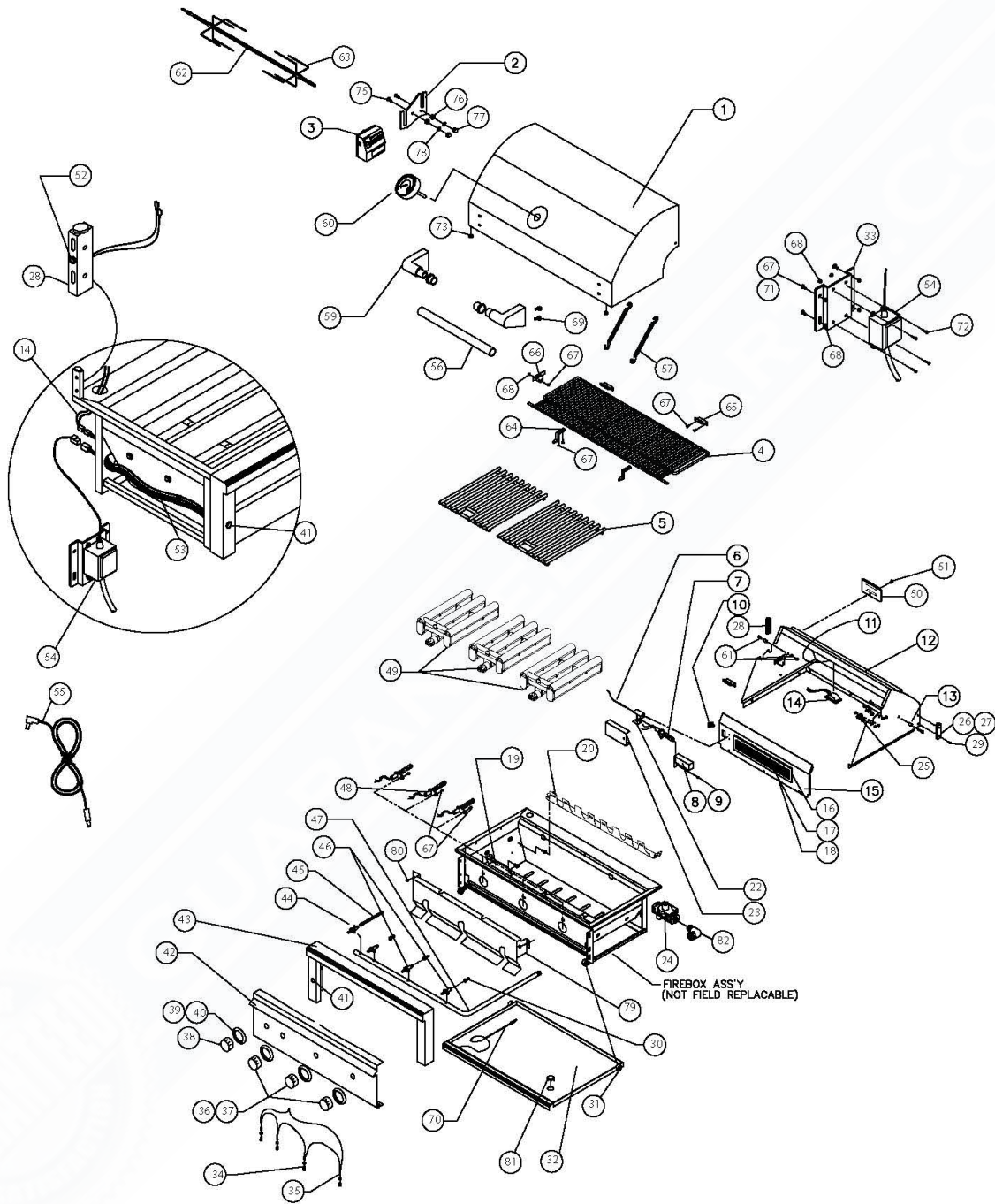
L42ATRF CART



Item	Part No.	Name	Qty	Uom	NOTES
1	70034	FRAME ASSY 42" CABINET	1	EA	
2	31930	BOLT, HEX HEAD, 1/4-20 X 3/8" S/S	4	EA	
3	14044	Washer, 1/4, Flat, SS, 11/16 O.D.	4	EA	
4	31876	NUT, 1/4-20, KEPS EXT TOOTH, SS	8	EA	
5	18093	Large Drawer Slide, RH	2	EA	
6	18092	Large Drawer Slide, LH	2	EA	
7	32164	Side Shelf, 30/42/54	2	EA	
8	32202	SCREW, 1/4-20 X 3/4, PHP, SS	2	EA	
9	35402	Rear Access Panel, 42	1	EA	
10	70033	DOOR ASSY 42" CABINET	1	EA	
11	32222	SCREW, SHOULDER, #10-32 X 1/4, SLOTTED, SS	2	EA	
12	31756	BOTTLE HOLDER 42	1	EA	
13	11174	HANDLE, 5" OFFSET SS	3	EA	
14	70032	DRAWER ASSY, 42 CART, UPPER	1	EA	
15	70135	DRAWER ASSY, 42 CART, LOWER	1	EA	
16	30003	CB ACCESS PLUG	1	EA	
17	14012	SCREW, 1/4-20 X 3/8 PH TRUSS HD, S/S	10	EA	
18	31205	GROMMET, PLSTC, 1 I.D. X 1 3/8 O.D.	1	EA	
19	20024	Caster, 3" w/Brake	2	EA	
20	20047	Caster, 3" w/o Brake	2	EA	
21	30223	SCREW, 1/4-20 X 1/2, HWH, ST, ZN, SERR	16	EA	
22	30666	HOLE PLUG 3/4	4	EA	
NI	31132	MAGNET, SINGLE, SNAP IN .38"	1	EA	
24	14014	SCREW	6	EA	
25	14024	LOCK NUT, #8-32, S/S	6	EA	
26	16067	CABLE TIE, 8 IN, NYLON	4	EA	
27	31583	Rubber Bumper, 1/2" dia x 1/16	4	EA	
28	14043	SCREW, 1/4-20 X 1, FHP, SS	8	EA	

Item	Part No.	Name	Qty	Uom	NOTES
29	10192	BEARING, FLT SS 1.3125 DIA	8	EA	
NI	10193	SPACER, 1/4 NOM, 1/2 O.D. X .21, SS, RND	8	EA	
31	70110	TANK BRACKET ASSY	1	EA	

L42ATRF GRILL



Item	Part No.	Name	Qty	Uom	NOTES
1	80311	FRONT HOOD ASSY, 42"	1	EA	
2	90132	MOTOR MOUNTING BRACKET, KIT, ALL PRO	1	EA	
3	80277	MOTOR ASSY, HEAVY DUTY 3 SPEED	1	EA	
4	32111	WARMING SHELF, PRO 42"	1	EA	
5	34704	(2) GRATES- 13 1/2" X 21"	2	EA	
5	34705	GRATE-12" X 21" (CENTER)	1	EA	
6	20018	IR THERMOCOUPLE	1	EA	
7	33052	IR ELECTRODE, HOT SURFACE	1	EA	
NI	80487	WIRE ASSEMBLY, ROTIS	1	EA	
8	33093	GAS COLLECTOR BOX, IR ROTIS	1	EA	
9	14018	SCREW, #6-32 X 1/4 PH. PAN HD	1	EA	
10	31795	IR BRASS ELBOW, 7/16-20 MALE THREAD	1	EA	
11	32442	LIGHT PANEL FOR DUAL LIGHTS, 42"	1	EA	
12	81420	REAR HOOD ASSEMBLY 42	1	EACH	
13	90237	HOOD SPACER KIT	1	EA	
14	80447	HOOD LIGHT ASSY, DUAL W/10W BULB	1	EA	
NI	31979	BULB, REPLACEMENT, 10W HALOGEN	1	EA	
NI	32322	GLASS REPLACEMENT COVER W/CLIP	1	EA	
15	80275	IR PANEL ASSY, 42" (INCLUDES BURNER)	1	EA	
16	32990	IT ROTIS. BURNER ONLY (28 IN.)	1	EA	
17	32993	IR BURNER FRAME ONLY (28 IN.)	1	EA	
18	32644	SCREW, #8-32 X 5/16 PH. FLAT HD	2	EA	
19	32485	BURNER HANGER, PRO 42"	1	EA	
20	33747	BURNER HANGER, REAR, 42" ALL-TRIDENT	1	EA	
NI	31692	STIFFENER, FIREBOX, 30/42	1	EA	

Item	Part No.	Name	Qty	Uom	NOTES
22	80790	IR IGNITER BRACKET, ALL PRO	1	EA	
23	33136	IR IGNITER COVER, 4-1/8"	1	EA	
24	30781	REGULATOR 4/11 N/G ONLY	1	EA	
24	13053	REGULATOR W/30" HOSE DOUBLE STAGE - LP	1	EA	
25	90128	ROLLER BEARING KIT - ROTISSERIE (2 PARTS EA)	1	EA	
26	32468	HOOD STOP	1	EA	
27	32470	BUMPER FOR HOOD STOP, .750 DIA	2	EA	
28	33389	HOOD STOP, LEFT, ALL PRO	1	EA	
29	32469	SCREW/HOOD STOP - #8-32 X 1" PH TRUSS HD	4	EA	
30	90176	COMPLETE ORIFICE FIELD KIT - LP TO NG	1	EA	
NI	90177	COMPLETE ORIFICE FIELD KIT - NG TO LP	1	EA	
NI	30470	ORIFICE, IR ROTIS., NG (#48 SHORT)	1	EA	
NI	31342	ORIFICE, IR ROTIS., LP (#56 SHORT)	1	EA	
NI	13014	BURNER ORIFICE, NG (#42 SHORT)	3	EA	
NI	13020	ORIFICE, BURNER, LP (#54 SHORT)	3	EA	
31	90129	ROLLER BEARING KIT	1	EA	
32	18051	Drip Pan 42"	1	EA	
33	33130	TRANSFORMER MOUNTING BRKT B/I & F/S	1	EA	
34	80436	LED HARNESS ASSY, L600/L700 W/IR	1	EA	
35	32554	LED HOLDER (INCLUDES NUT)	4	EA	
NI	32055	WASHER	4	EA	
36	90230	KNOB, TRIDENT BURNER	3	EA	
37	90232	KNOB, KIT, STAINLESS (3 BURNER + 1 ROTIS)	1	EA	
38	90136	KNOB, ROTIS, STAINLESS	1	EA	
39	10001	BEZEL	4	EA	

Item	Part No.	Name	Qty	Uom	NOTES
40	31929	BEZEL SCREW, #6-32 X 1/8 PH PAN	8	EA	
41	33148	LIGHT SWITCH + HARNESS, BLUE LIGHTED	1	EA	
42	80540	FRONT PANEL, PRO 42"	1	EA	
NI	11074	LOGO, LYNX	1	EA	
43	80517	BULLNOSE ASS'Y, PRO 42"	1	EA	
44	31772	IR BURNER VALVE W/MICROSWITCH	1	EA	
45	31794	FLEX HOSE, 9MM X 38" W/ 7/16 FITTINGS	1	EA	
46	34103	MAIN BURNER VALVE W/MICROSWITCH	3	EA	
NI	32845	MICROSWITCH	3	EA	
NI	34197	SCREW	3	EA	
47	80653	MANIFOLD ASSY W/VALVES, 42" NG ALL - TRIDENT	1	EA	
47	80652	MANIFOLD ASSY W/VALVES, 42" LP ALL - TRIDENT	1	EA	
48	33556	IGNITER SHORT, HOT POINT	3	EA	
49	33415	PROSEAR-2 BURNER, 30", 42", 54"	3	EA	
NI	90181	SCREEN REPLACEMENT, PROSEAR 2 BURNER	3	EA	
50	30417	IR ACCESS COVER	1	EA	
51	14012	SCREW, 1/4-20 X 3/8 PH TRUSS HD, S/S	1	EA	
52	80440	ROTISERIE JACK + INTERNAL HARNESS	1	EA	
NI	33129	JACK ONLY, DC PANEL MOUNT	1	EA	
53	80533	MAIN POWER HARNESS (27IR, 30, 36, 42, 54)	1	EA	
54	36971	POWER SUPPLY (5 AMP)	1	each	
55	33416	ROTISERIE EXTERNAL CORD	1	EA	
56	32524	HOOD HANDLE, 42"	1	EA	
57	31874	EXTENSION SPRING ASM W/HOOK (NEED TWO PER UNIT)	2	EA	
NI	14024	LOCK NUT, #8-32, S/S	2	EA	

Item	Part No.	Name	Qty	Uom	NOTES
NI	31782	SHOULDER SCREW	2	EA	
59	31736	END CAP, HOOD HANDLE WITH INSU	2	EA	
60	35765	HOOD THERMOMETER, SEALED BLACK	1	EA	
61	14013	PIVOT SCREW, 1/4-20 X 1" HEX DRIVE	2	EA	
NI	14009	PIVOT SCREW NUT, HEX, 1/4-20 S/S	2	EA	
NI	14026	PIVOT WASHER, SPLIT LOCK, 1/4 S/S	6	EA	
62	32130	SPIT ROD, PRO 42"	1	EA	
63	31563	SPIT FORK, HEAVY DUTY, ALL SIZES	2	EA	
NI	31061	THUMB SCREW	2	EA	
64	33033	FRONT RETAINING BKT, WARMING RACK	2	EA	
65	32133	REAR RETAINING BRACKET, WARMING RACK	2	EA	
66	33597	LEFT RETAINING BRACKET, WARMING RACK	1	EA	
67	14014	SCREW	4	EA	
68	14024	LOCK NUT, #8-32, S/S	4	EA	
69	31930	BOLT, HEX HEAD, 1/4-20 X 3/8" S/S	4	EA	
70	31031	ALTERNATE LIGHT DEVICE, MATCH HOLDER	1	EA	
71	31013	SCREW, #8 X 1/2 PH TRUSS HD TYPE 'A'	1	EA	
72	31649	SCREW, #8-32 X 5/8, PHP, SS	4	EA	
73	32477	BUMPER 1/2" DIA, RUBBER, PRESS IN	2	EA	
75	14099	SCREW, #10-24 X 3/4 PH FLAT HD S/S	6	EA	
76	32939	ROTIS. SPACER	2	EA	
77	32196	NUT, ACORN, #10-24, S/S	2	EA	
78	32197	WASHER, #10 SPLIT LOCK, S/S	2	EA	
79	33651	HEAT SHIELD, 42" AT	1	EA	
80	14023	NUT, COMBINATION (FOR HEAT SHIELD)	2	EA	

Item	Part No.	Name	Qty	Uom	NOTES
81	90151	DRAIN PLUG AND SEAL KIT, DRIP PAN	1	EA	
82	13010	ELBOW, STREET, 1/2" 90 DEGREE - NG ONLY	1	EA	
82	13054	ELBOW, 3/8" FLARE TO 1/2" FIP - LP ONLY	1	EA	
NI	CC42	42" GRILL COVER BUILT-IN	1	EA	
NI	CC42F	42" GRILL COVER FREESTANDING	1	EA	
NI	CC42FCB	42" GRILL COVER FREESTANDING WITH SIDE BURNER	1	EA	
NI	20011	DRIP PAN, PORCELAIN	1	EA	
NI	34586	SMOKER BOX KIT	1	EA	
NI	90110	WINDSCREEN 42"	1	EA	
NI	LIJ42	42" INSULATED JACKET	1	EA	