

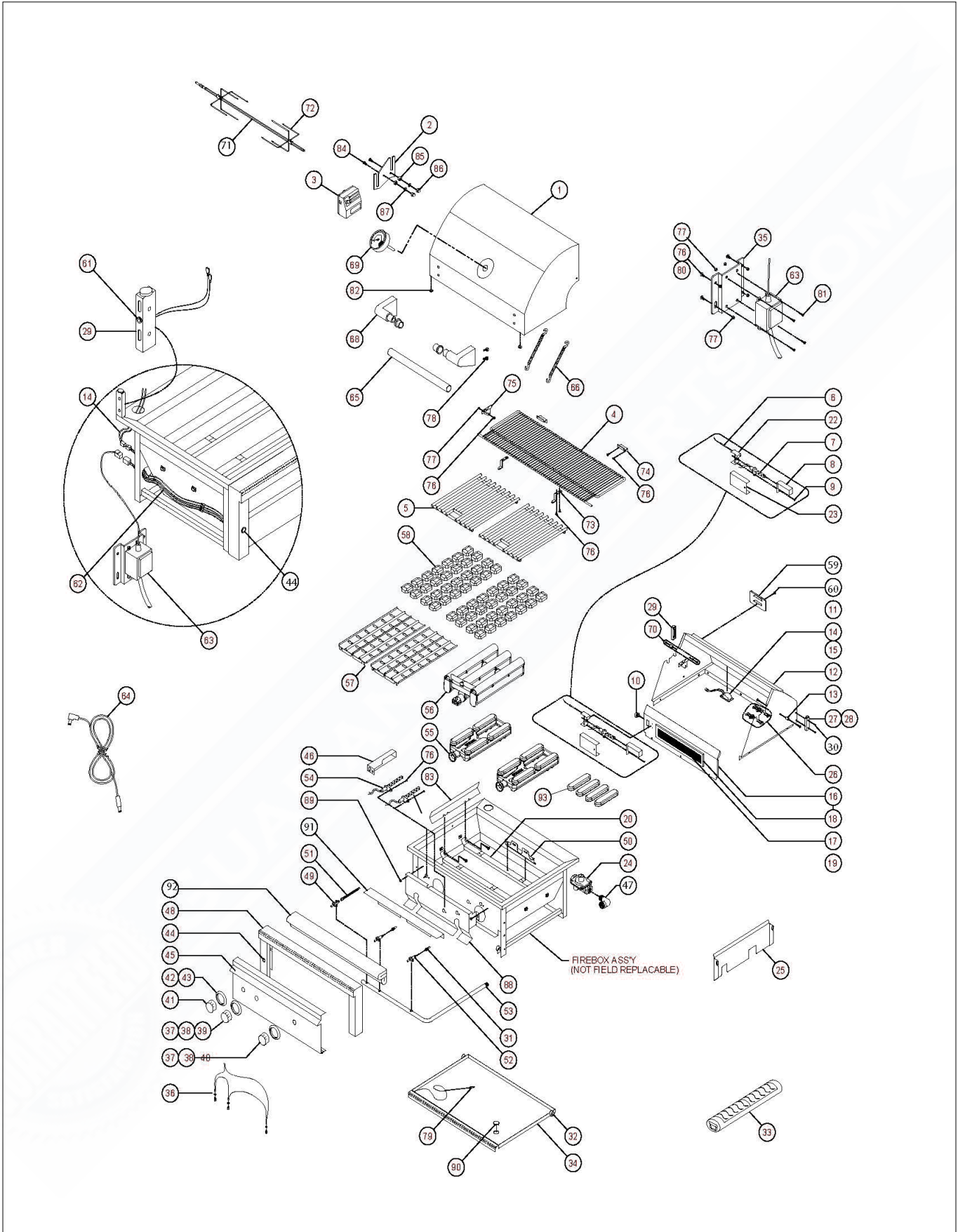
L42TRF

42" FREESTANDING GRILL W/TRIDENT & ROTIS

GUARANTEEDPARTS.COM



L42TRF GRILL



Item	Part No.	Name	Qty	Uom	NOTES
1	80311	FRONT HOOD ASSY, 42"	1	EA	
2	32940	BRACKET, MOUNT, ROTIS MOTOR	1	EA	
3	80277	MOTOR ASSY, HEAVY DUTY 3 SPEED	1	EA	
4	32111	WARMING SHELF, PRO 42"	1	EA	
5	34704	(2) GRATES- 13 1/2" X 21"	2	EA	
5	34705	GRATE-12" X 21" (CENTER)	1	EA	
6	20018	IR THERMOCOUPLE	1	EA	
7	33052	IR ELECTRODE, HOT SURFACE	1	EA	
NI	80487	WIRE ASSEMBLY, ROTIS	1	EA	
8	33093	GAS COLLECTOR BOX, IR ROTIS	1	EA	
9	14018	SCREW, #6-32 X 1/4 PH. PAN HD	3	EA	
10	31795	IR BRASS ELBOW, 7/16-20 MALE THREAD	1	EA	
11	32442	LIGHT PANEL FOR DUAL LIGHTS, 42"	1	EA	
12	81420	REAR HOOD ASSEMBLY 42	1	EACH	
13	90237	HOOD SPACER KIT	1	EA	
14	80447	HOOD LIGHT ASSY, DUAL W/10W BULB	1	EA	
15	31979	BULB, REPLACEMENT, 10W HALOGEN	1	EA	
NI	32322	GLASS REPLACEMENT COVER W/CLIP	1	EA	
16	80275	IR PANEL ASSY, 42" (INCLUDES BURNER)	1	EA	
17	32990	IT ROTIS. BURNER ONLY (28 IN.)	1	EA	
18	32993	IR BURNER FRAME ONLY (28 IN.)	1	EA	
19	32644	SCREW, #8-32 X 5/16 PH. FLAT HD	2	EA	
20	32485	BURNER HANGER, PRO 42"	2	EA	
NI	31692	STIFFENER, FIREBOX, 30/42	1	EA	
22	33059	IR IGNITER BRACKET, ALL PRO	1	EA	

Item	Part No.	Name	Qty	Uom	NOTES
23	33136	IR IGNITER COVER, 4-1/8"	1	EA	
24	30781	REGULATOR 4/11 N/G ONLY	1	EA	
24	13053	REGULATOR W/30" HOSE DOUBLE STAGE - LP	1	EA	
25	33662	FIRBOX PARTITION, PROSEAR 30", 42", 54"	1	EA	
26	90128	ROLLER BEARING KIT - ROTISSERIE (2 PARTS EA)	1	EA	
27	32468	HOOD STOP	1	EA	
28	32470	BUMPER FOR HOOD STOP, .750 DIA	2	EA	
29	33389	HOOD STOP, LEFT, ALL PRO	1	EA	
30	32469	SCREW/HOOD STOP - #8-32 X 1" PH TRUSS HD	4	EA	
31	PRONGK	COMPLETE ORIFICE FIELD KIT- LP TO NG	1	EA	
31	PROLPK	COMPLETE ORIFICE FIELD KIT- NG TO LP	1	EA	
NI	30329	ORIFICE,BURNER, NG (#41 LONG)	2	EA	
NI	30328	ORIFICE,BURNER, LP (#53 LONG)	2	EA	
NI	13015	ORIFICE,BURNER, NG (#44 SHORT)	1	EA	
NI	13020	ORIFICE, BURNER, LP (#54 SHORT)	1	EA	
NI	30470	ORIFICE, IR ROTIS., NG (#48 SHORT)	1	EA	
NI	31342	ORIFICE, IR ROTIS., LP (#56 SHORT)	1	EA	
32	90129	ROLLER BEARING KIT	1	EA	
33	34586	SMOKER BOX KIT	1	EA	
34	90226	DRIP PAN COMPLETE, PRO 42"	1	EA	
35	33130	TRANSFORMER MOUNTING BRKT B/I & F/S	1	EA	
36	80436	LED HARNESS ASSY, L600/L700 W/IR	1	EA	
NI	32554	LED HOLDER (INCLUDES NUT)	4	EA	
NI	32055	WASHER	4	EA	
37	90137	KNOB, BURNER, STAINLESS	1	EA	

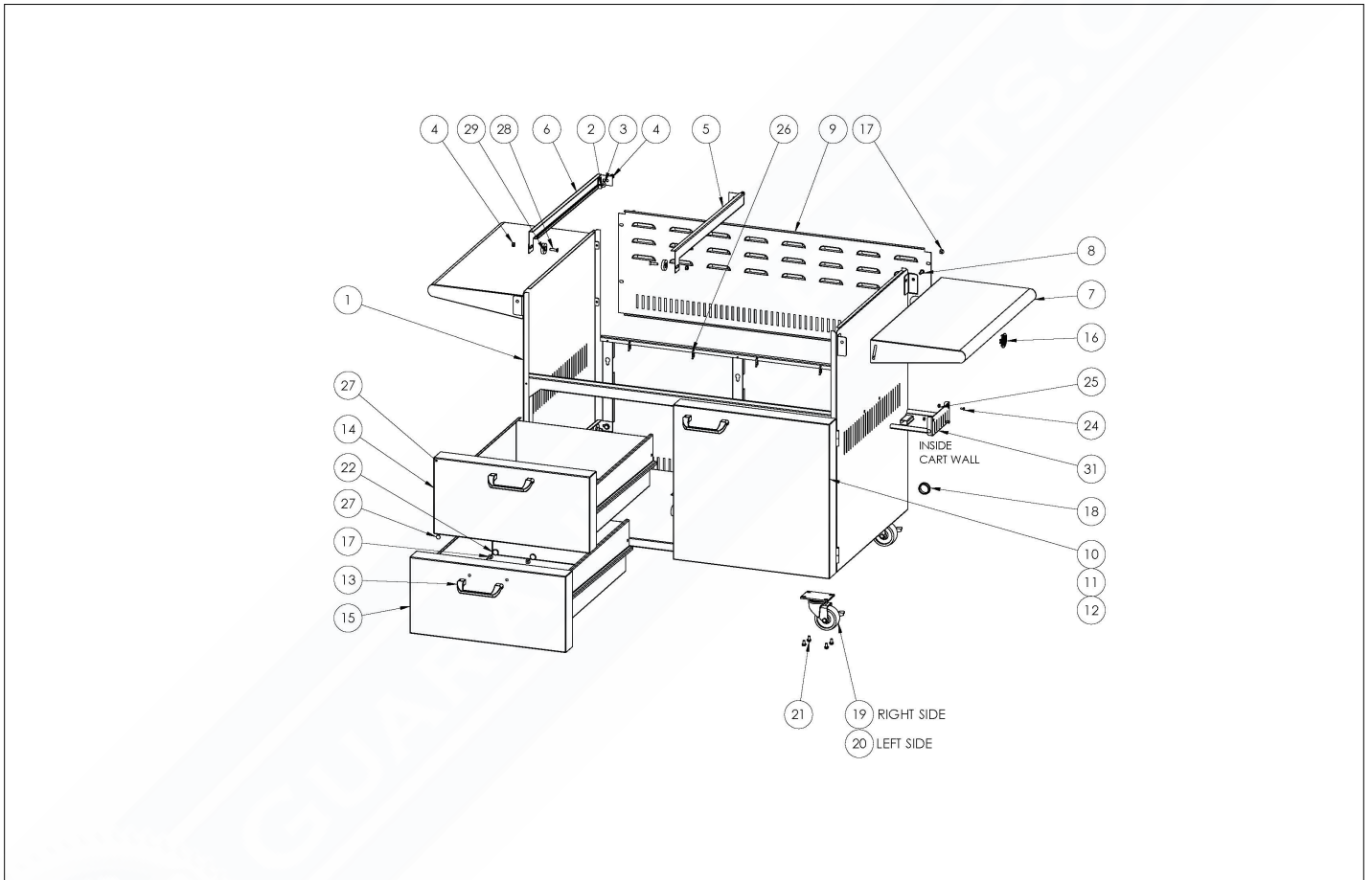
Item	Part No.	Name	Qty	Uom	NOTES
38	90139	STAINLESS KNOB KIT (3 BURNER + 1 ROTIS)	1	EA	
39	90231	KNOB KIT, STAINLESS (2 BURNER+1 TRI. +1 ROTIS)	1	EA	
40	90230	KNOB, TRIDENT BURNER	1	EA	
41	90136	KNOB, ROTIS, STAINLESS	1	EA	
42	10001	BEZEL	4	EA	
43	31929	BEZEL SCREW, #6-32 X 1/8 PH PAN	8	EA	
44	33148	LIGHT SWITCH + HARNESS, BLUE LIGHTED	1	EA	
45	80540	FRONT PANEL, PRO 42"	1	EA	
NI	11074	LOGO, LYNX	1	EA	
46	36438	GAS COLLECTOR BOX, CERAMIC-BURNER	3	EA	
47	13010	ELBOW, STREET, 1/2" 90 DEGREE - NG ONLY	1	EA	
47	13054	ELBOW, 3/8" FLARE TO 1/2" FIP - LP ONLY	1	EA	
48	80517	BULLNOSE ASS'Y, PRO 42"	1	EA	
49	31772	IR BURNER VALVE W/MICROSWITCH	1	EA	
50	33405	BURNER SUPPORT, PROSEAR-2 30, 42, 54	1	EA	
NI	14030	BOLT, HEX HEAD, 1/4-20 X 1/2", S/S	2	EA	
51	31794	FLEX HOSE, 9MM X 38" W/ 7/16 FITTINGS	1	EA	
52	34103	MAIN BURNER VALVE W/MICROSWITCH	3	EA	
NI	32845	MICROSWITCH	3	EA	
NI	34197	SCREW	3	EA	
53	80657	MANIFOLD ASSY W/VALVES, 42" LP PROSEAR	1	EA	
53	80203	MANIFOLD ASSY W/VALVES, 42" NG PROSEAR	1	EA	
54	33051	ELECTRODE, MAIN BURNER, HOT SURFACE	2	EA	
NI	90187	COMPLETE ELECTRODE KIT, 36" /42"	1	EA	

Item	Part No.	Name	Qty	Uom	NOTES
NI	80432	IGNITION WIRE HARNESS 36 & 42	1	EA	
55	90274	Ceramic Burner Enhancement kit, See LISO-0004A	2	each	
	NOTE	(REPLACES ORIGINAL)		EA	
	81430	BURNER, CERAMIC ASSY	2	EA	
	NOTE	(CAN USE AFTER KIT IS INSTALLED)		EA	
56	33415	PROSEAR-2 BURNER, 30", 42", 54"	1	EA	
NI	90181	SCREEN REPLACEMENT, PROSEAR 2 BURNER	1	EA	
57	80645	BRIQUETTE TRAY ONLY WIDE	1	EA	
NI	90191	BRIQ TRAY ASSY. 30,42,54 WIDE	1	EA	
NI	31679	BRIQUETTE CENTER CLIP	30	EA	
NI	31680	BRIQUETTE END CLIP	10	EA	
57	80644	BRIQUETTE TRAY ONLY NARROW	1	EA	
NI	90190	BRIQ TRAY ASSY. 30,42,54 NARROW	1	EA	
NI	31679	BRIQUETTE CENTER CLIP	24	EA	
NI	31680	BRIQUETTE END CLIP	8	EA	
58	90053	BRIQUETTES, 35 PER BOX	1	EA	
NI	31588	BRIQUETTE, SINGLE		EA	
59	30417	IR ACCESS COVER	1	EA	
60	14012	SCREW, 1/4-20 X 3/8 PH TRUSS HD, S/S	1	EA	
61	80440	ROTISERIE JACK + INTERNAL HARNESS	1	EA	
NI	33129	JACK ONLY, DC PANEL MOUNT	1	EA	
62	80533	MAIN POWER HARNESS (27IR, 30, 36, 42, 54)	1	EA	
63	36971	POWER SUPPLY (5 AMP)	1	each	
64	33416	ROTISERIE EXTERNAL CORD	1	EA	
65	32524	HOOD HANDLE, 42"	1	EA	

Item	Part No.	Name	Qty	Uom	NOTES
66	31874	EXTENSION SPRING ASM W/HOOK (NEED TWO PER UNIT)	2	EA	
NI	14024	LOCK NUT, #8-32, S/S	4	EA	
NI	31782	SHOULDER SCREW	4	EA	
68	31736	END CAP, HOOD HANDLE WITH INSU	2	EA	
69	35765	HOOD THERMOMETER, SEALED BLACK	1	EA	
NI	33573	WASHER FOR HOOD THERMOMETER	1	EA	
70	14013	PIVOT SCREW, 1/4-20 X 1" HEX DRIVE	2	EA	
NI	14009	PIVOT SCREW NUT, HEX, 1/4- 20 S/S	2	EA	
NI	14026	PIVOT WASHER, SPLIT LOCK, 1/4 S/S	6	EA	
71	32130	SPIT ROD, PRO 42"	1	EA	
72	31563	SPIT FORK, HEAVY DUTY, ALL SIZES	2	EA	
NI	31061	THUMB SCREW	2	EA	
73	33033	FRONT RETAINING BKT, WARMING RACK	2	EA	
74	32133	REAR RETAINING BRACKET, WARMING RACK	2	EA	
75	33597	LEFT RETAINING BRACKET, WARMING RACK	1	EA	
76	14014	SCREW	4	EA	
77	14024	LOCK NUT, #8-32, S/S	4	EA	
78	31930	BOLT, HEX HEAD, 1/4-20 X 3/8" S/S	4	EA	
79	31031	ALTERNATE LIGHT DEVICE, MATCH HOLDER	1	EA	
80	31013	SCREW, #8 X 1/2 PH TRUSS HD TYPE 'A'	1	EA	
81	31649	SCREW, #8-32 X 5/8, PHP, SS	4	EA	
82	32477	BUMPER 1/2" DIA, RUBBER, PRESS IN	2	EA	
83	33609	BRIQUETTE DIVIDER 30", 42", 54"	1	EA	

Item	Part No.	Name	Qty	Uom	NOTES
84	14099	SCREW, #10-24 X 3/4 PH FLAT HD S/S	2	EA	
85	32939	ROTIS. SPACER	2	EA	
86	32196	NUT, ACORN, #10-24, S/S	2	EA	
87	32197	WASHER, #10 SPLIT LOCK, S/S	2	EA	
88	33655	HEAT SHIELD, TRIDENT 42"	1	EA	
89	14023	NUT, COMBINATION (FOR HEAT SHIELD)	2	EA	
90	90151	DRAIN PLUG AND SEAL KIT, DRIP PAN	1	EA	
91	34629	RETAINER, INSULATION	1	EA	
92	90250	INSULATION, 42"	1	EA	
93	90265	BURNER CAP (SET OF 4)	2	EA	
94	33556	IGNITER SHORT, HOT POINT	2	EA	
NI	CC42	42" GRILL COVER BUILT-IN	1	EA	
NI	CC42F	42" GRILL COVER FREESTANDING	1	EA	
NI	CC42FCB	42" GRILL COVER FREESTANDING WITH SIDE BURNER	1	EA	
NI	20011	DRIP PAN, PORCELAIN	1	EA	
NI	90110	WINDSCREEN 42"	1	EA	
NI	LIJ42	42" INSULATED JACKET	1	EA	

L42TRF CART



Item	Part No.	Name	Qty	Uom	NOTES
1	70034	FRAME ASSY 42" CABINET	1	EA	
2	31930	BOLT, HEX HEAD, 1/4-20 X 3/8" S/S	4	EA	
3	14044	Washer, 1/4, Flat, SS, 11/16 O.D.	4	EA	
4	31876	NUT, 1/4-20, KEPS EXT TOOTH, SS	8	EA	
5	18093	Large Drawer Slide, RH	2	EA	
6	18092	Large Drawer Slide, LH	2	EA	
7	32164	Side Shelf, 30/42/54	2	EA	
8	32202	SCREW, 1/4-20 X 3/4, PHP, SS	2	EA	
9	35402	Rear Access Panel, 42	1	EA	
10	70033	DOOR ASSY 42" CABINET	1	EA	
11	32222	SCREW, SHOULDER, #10-32 X 1/4, SLOTTED, SS	2	EA	
12	31756	BOTTLE HOLDER 42	1	EA	
13	11174	HANDLE, 5" OFFSET SS	3	EA	
14	70032	DRAWER ASSY, 42 CART, UPPER	1	EA	
15	70135	DRAWER ASSY, 42 CART, LOWER	1	EA	
16	30003	CB ACCESS PLUG	1	EA	
17	14012	SCREW, 1/4-20 X 3/8 PH TRUSS HD, S/S	10	EA	
18	31205	GROMMET, PLSTC, 1 I.D. X 1 3/8 O.D.	1	EA	
19	20024	Caster, 3" w/Brake	2	EA	
20	20047	Caster, 3" w/o Brake	2	EA	
21	30223	SCREW, 1/4-20 X 1/2, HWH, ST, ZN, SERR	16	EA	
22	30666	HOLE PLUG 3/4	4	EA	
NI	31132	MAGNET, SINGLE, SNAP IN .38"	1	EA	
24	14014	SCREW	6	EA	
25	14024	LOCK NUT, #8-32, S/S	6	EA	
26	16067	CABLE TIE, 8 IN, NYLON	4	EA	
27	31583	Rubber Bumper, 1/2" dia x 1/16	4	EA	
28	14043	SCREW, 1/4-20 X 1, FHP, SS	8	EA	

Item	Part No.	Name	Qty	Uom	NOTES
29	10192	BEARING, FLT SS 1.3125 DIA	8	EA	
NI	10193	SPACER, 1/4 NOM, 1/2 O.D. X .21, SS, RND	8	EA	
31	70110	TANK BRACKET ASSY	1	EA	