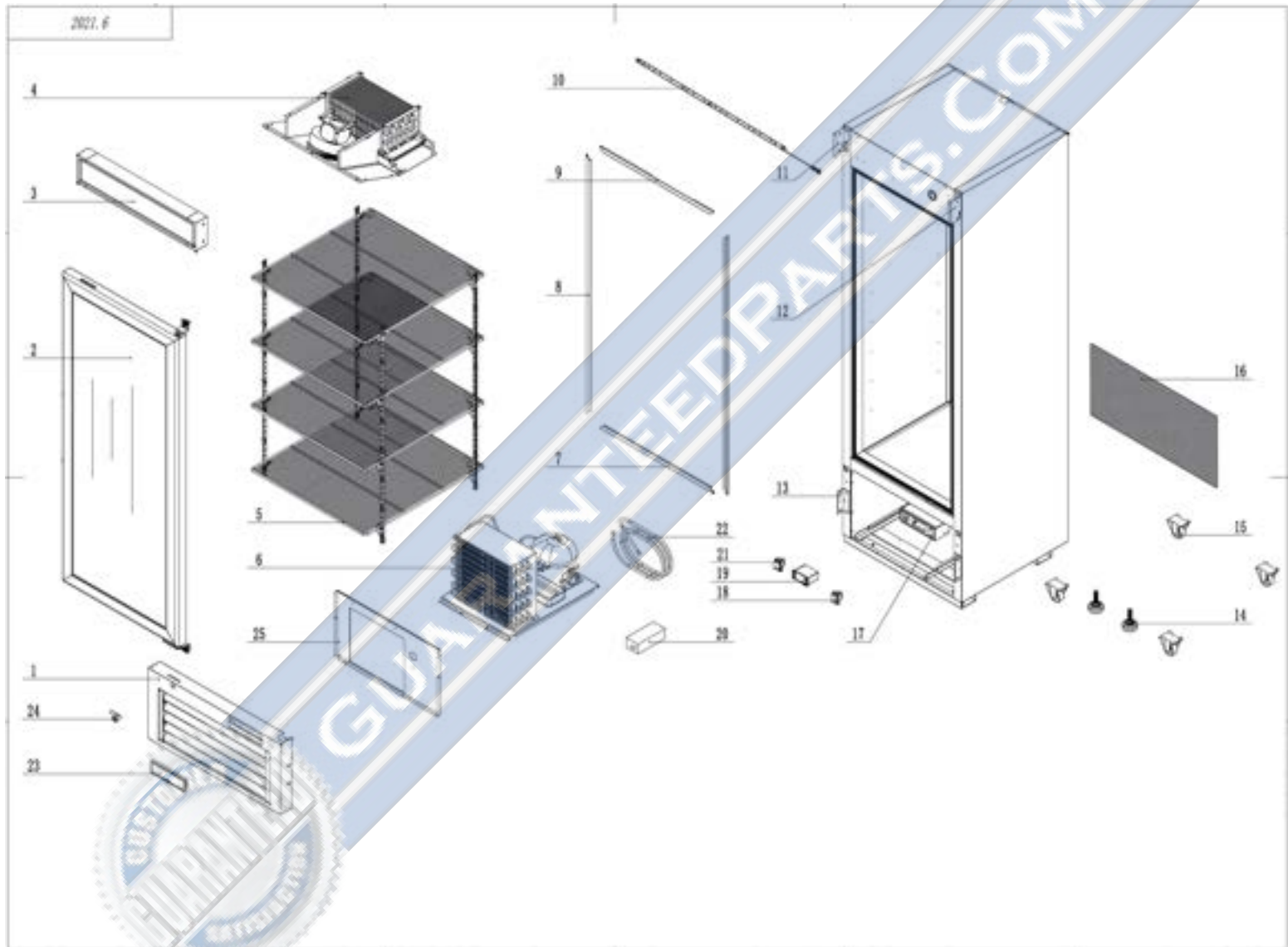


MIGALI

C-12RM-HC

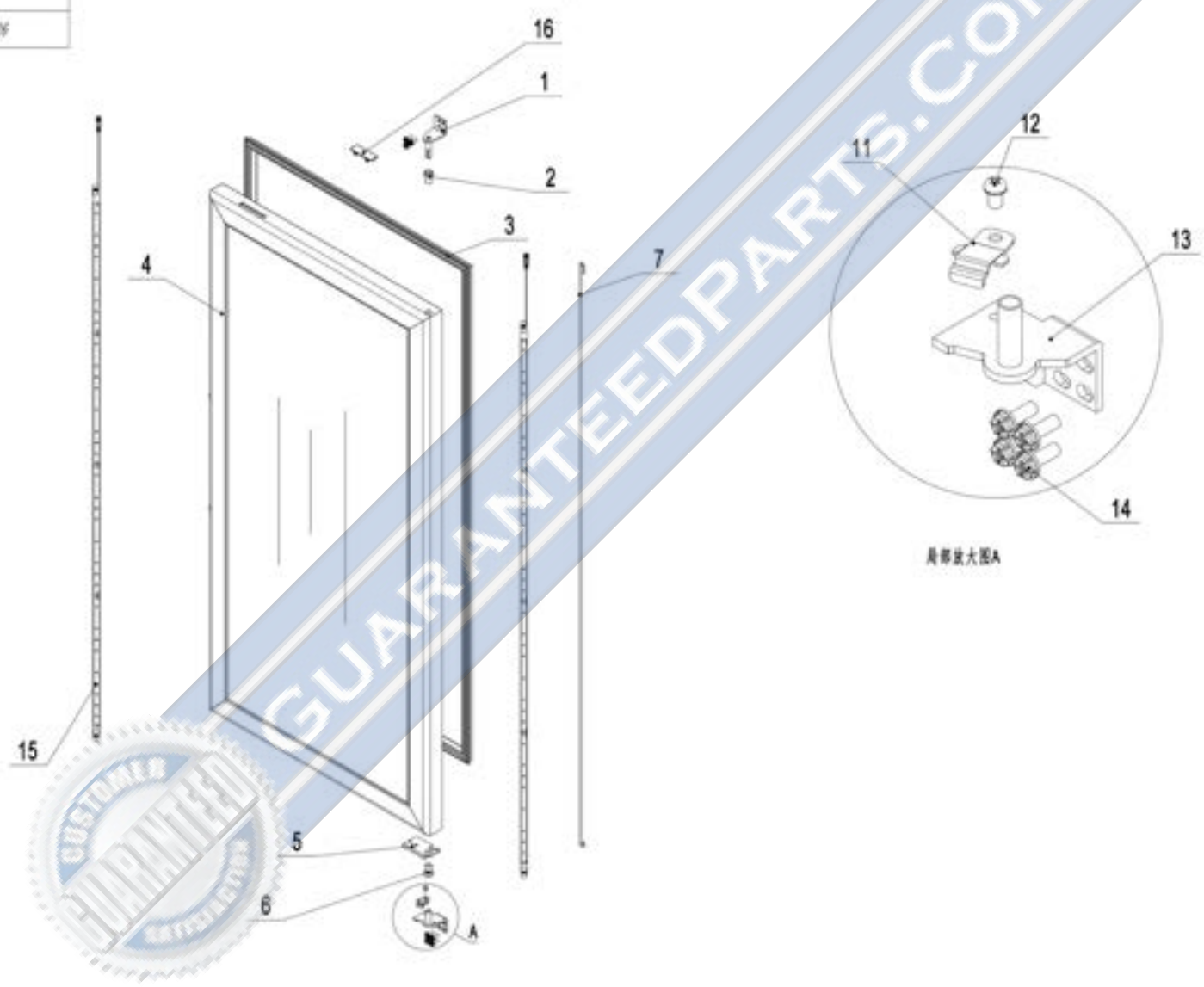


Main Overview

Part Number	SKU	Description
1	1759-575	Bottom Panel
7	1759-783	Bottom Frame Cover
8	1759-784	Left-Right Frame Cover
9	1759-782	Top Frame Cover
10	1759-700	LED Light
11	1759-586	Fastener For Top Panel (L)
12	1759-587	Fastener For Top Panel (R)
13	1759-534	Fastener For Bottom Panel
14	1759-1000	Leg
15	1759-209	2" Castor Without Brake
16	1759-727	Back Bottom Barrier
17	1759-2227	Controller Bracket C-10RM
18	1759-705	Power Switch
19	1759-1667	Digital Controller Carel Pzyds
20	1759-1832	LED Power
21	1759-704	Light Switch
22	1759-343	Low Pressure Coil Back to Comp
23	1759-763	Controller Cover
24	1759-813	Locker
25	1759-588	Wind Deflector Unit

2- Door Assembly

2020.5.26

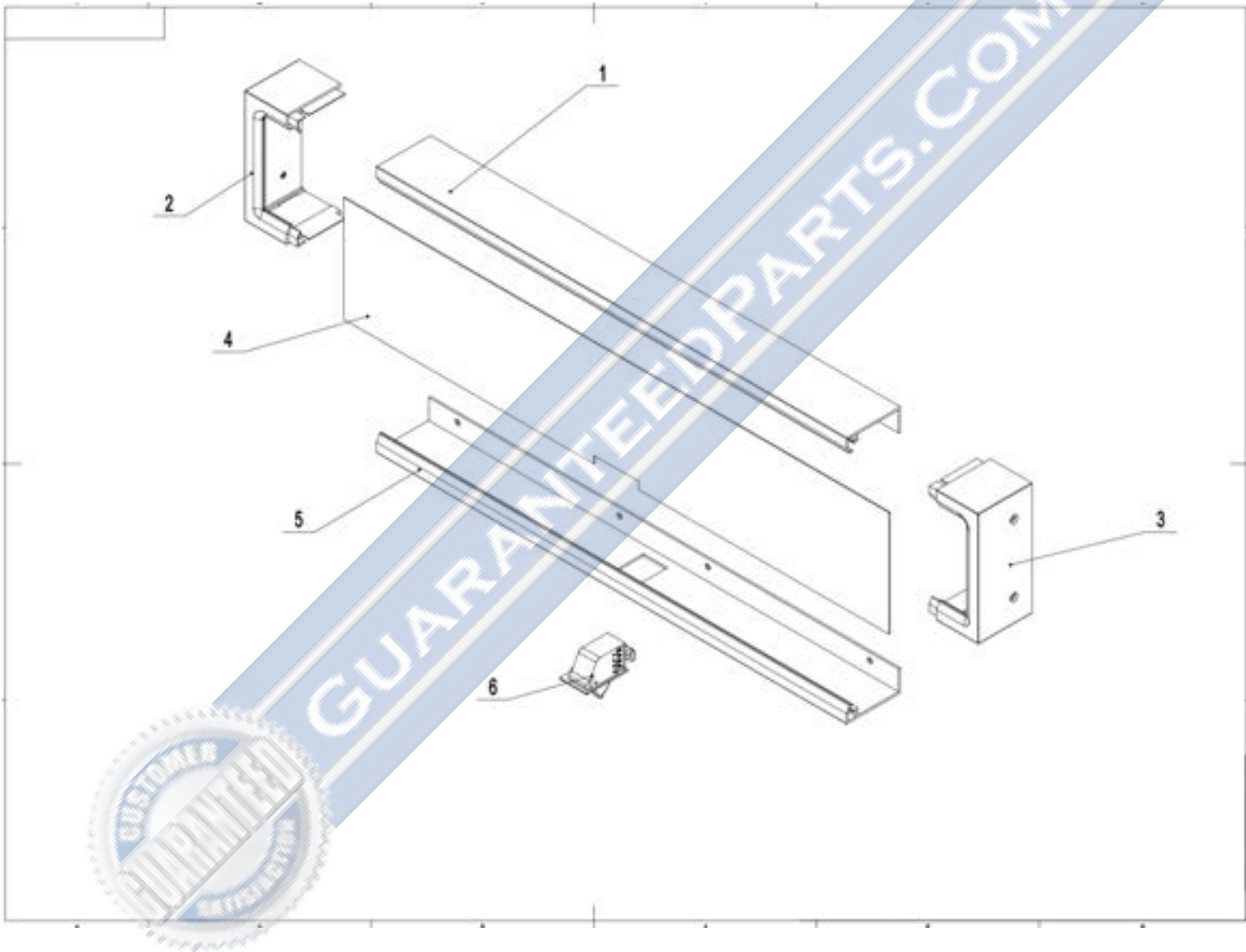


Part Number	SKU	Description
1	1759-815	Right-Top Hinge
2	1759-754	Door Shaft Sleeve-Top
3	1759-741	Door Gasket
4	1759-798	Right Glass Door
5	1759-823	Door Brake
6	1759-755	Door Shaft Sleeve-Bottom
7	1759-842	Door Spring Bar
11	1759-829	Door Brake-Bottom
12	1759-1161	SS Screw M6X8
13	1759-817	Right-Bottom Hinge
14	1759-1166	Screw W Flat Washer & Lock Washer
15	1759-698	LED Light



GUARANTEED PARTS.COM

3- Motor Cover Assembly

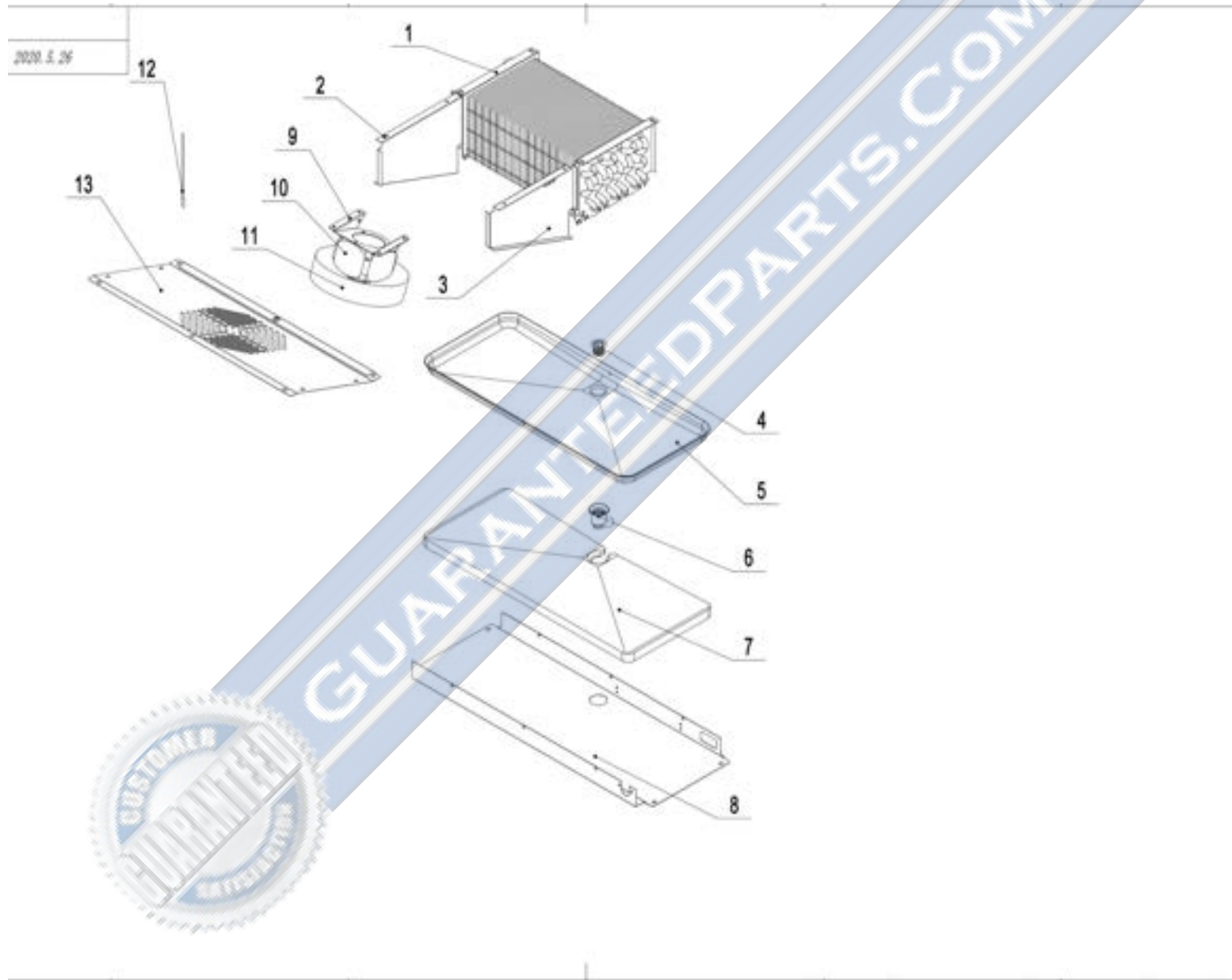


Part Number	SKU	Description
1	1759-789	Top Panel Frame-Top
2	1759-753	Top Panel Frame-Left
3	1759-752	Top Panel Frame-Right
4	1759-770	Top Panel
5	1759-790	Top Panel Frame-Bottom
6	1759-2228	Gate Magnetic Switch C-10RM



GUARANTEEDPARTS.COM

4- Evaporator Assembly



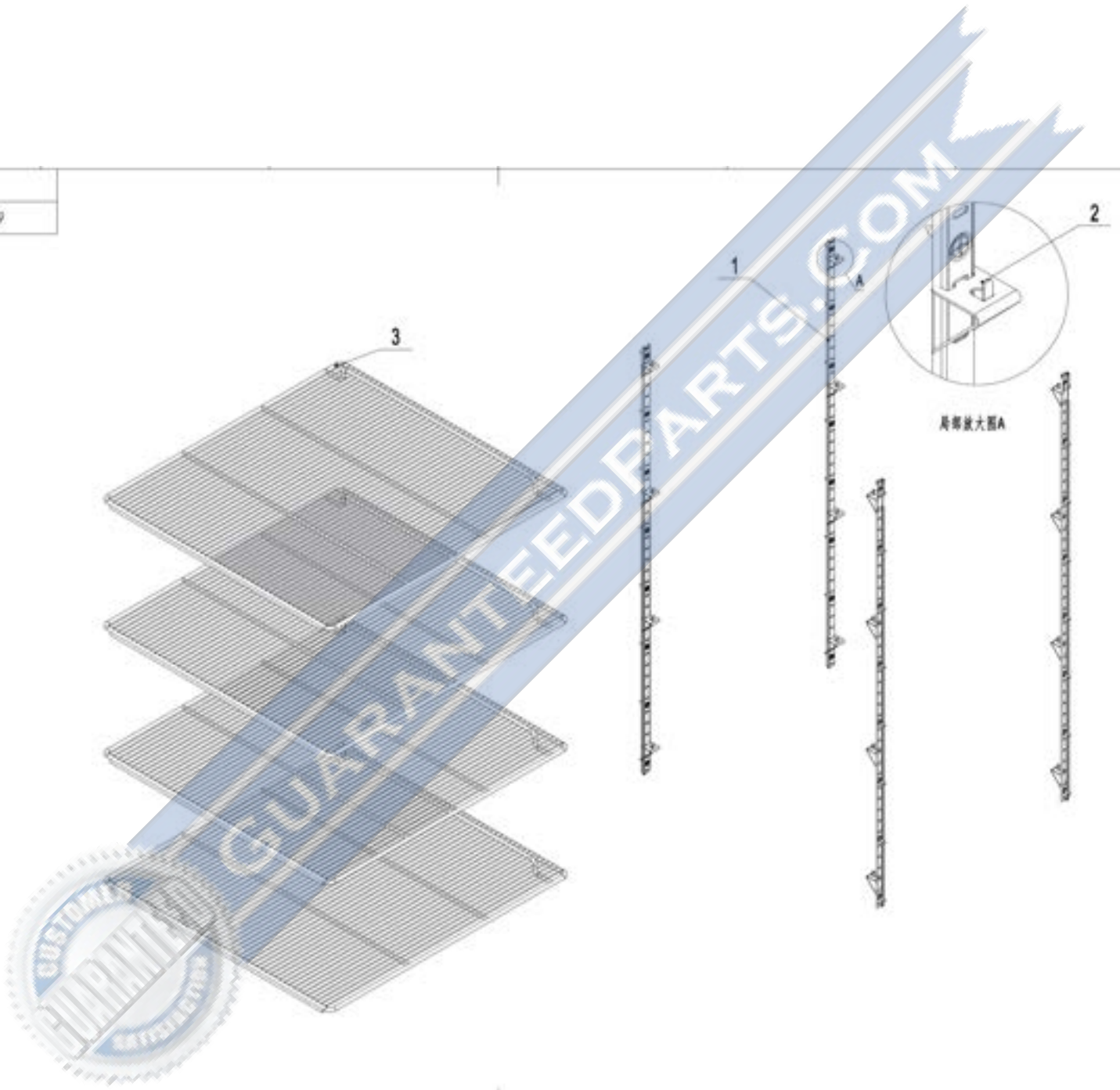
Part Number	SKU	Description
1	1759-639	Evaporator
2	1759-583	Evap Left Cover
3	1759-584	Evap Right Cover
4	1759-758	Drain Hose Connector B
5	1759-424	Drain Pan
6	1759-757	Drain Hose Connector A
7	1759-848	Drain Pan Foam
8	1759-581	Drain Pan Cover
9	1759-15	Evap Fan Bracket
10	1759-686	Evap Fan Motor
11	1759-681	Evap Fan Blade
12	1759-697	Room Sensor Probe
13	1759-582	Evap Front Cover



GUARANTEED PARTS.COM

5- Shelf Assembly

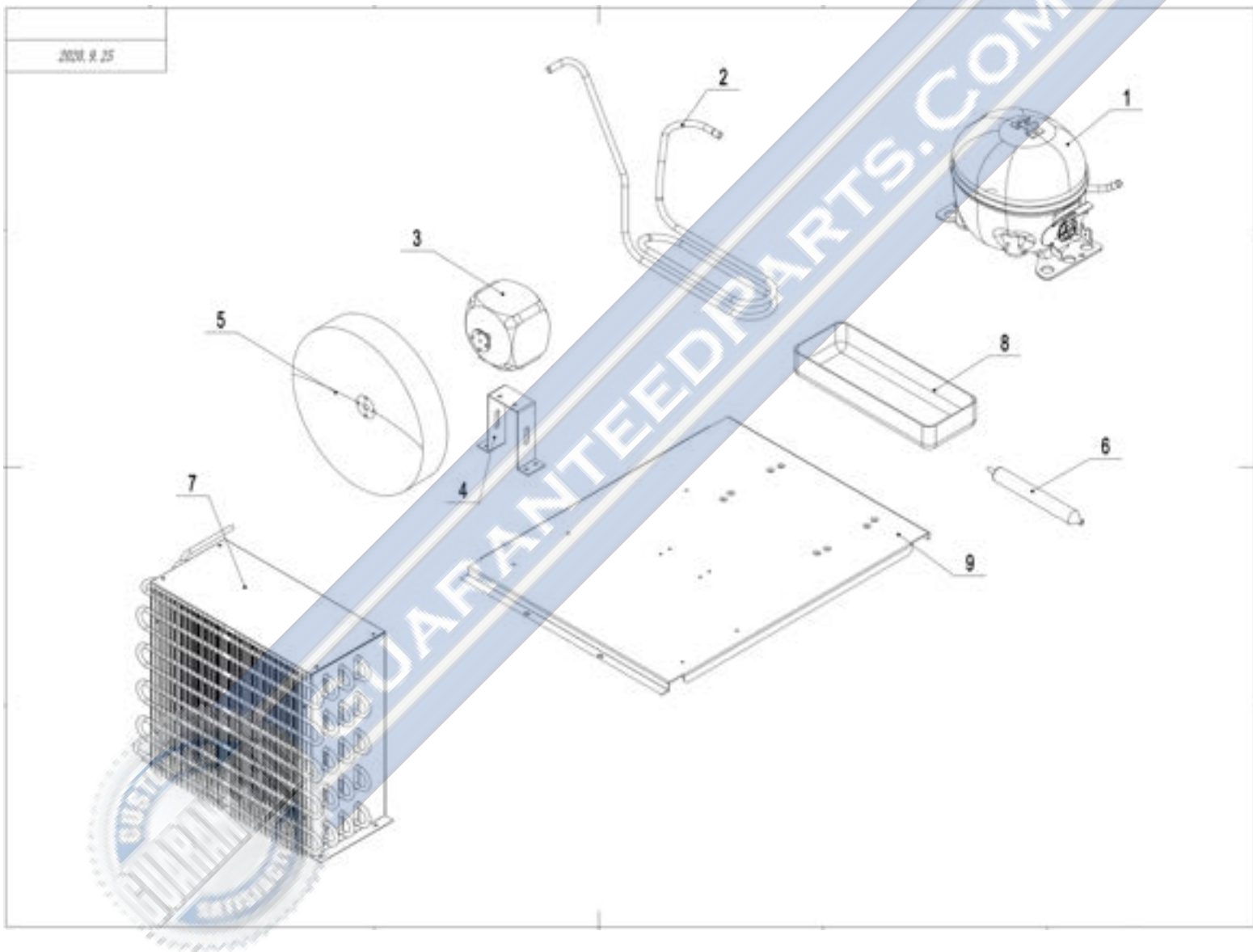
2020. 7. 29



Part Number	SKU	Description
1	1759-483	Pilaster For Shelf
2	1759-04	Shelf Support Clip
3	1759-716	Shelf



6- Condensing Unit Assembly



Part Number	SKU	Description
1	1759-1746	Compressor Cubigel Nut35Nr1,1.
2	1759-679	High Pressure Coil
3	1759-687	Condenser Fan Motor
4	1759-497	Condenser Fan Bracket
5	1759-683	Condenser Fan Blade
6	1759-657	Dry Filter
7	1759-652	Condenser
8	1759-793	Plastic Drain Pan
9	1759-585	Compressor Board



GUARANTEEDPARTS.COM