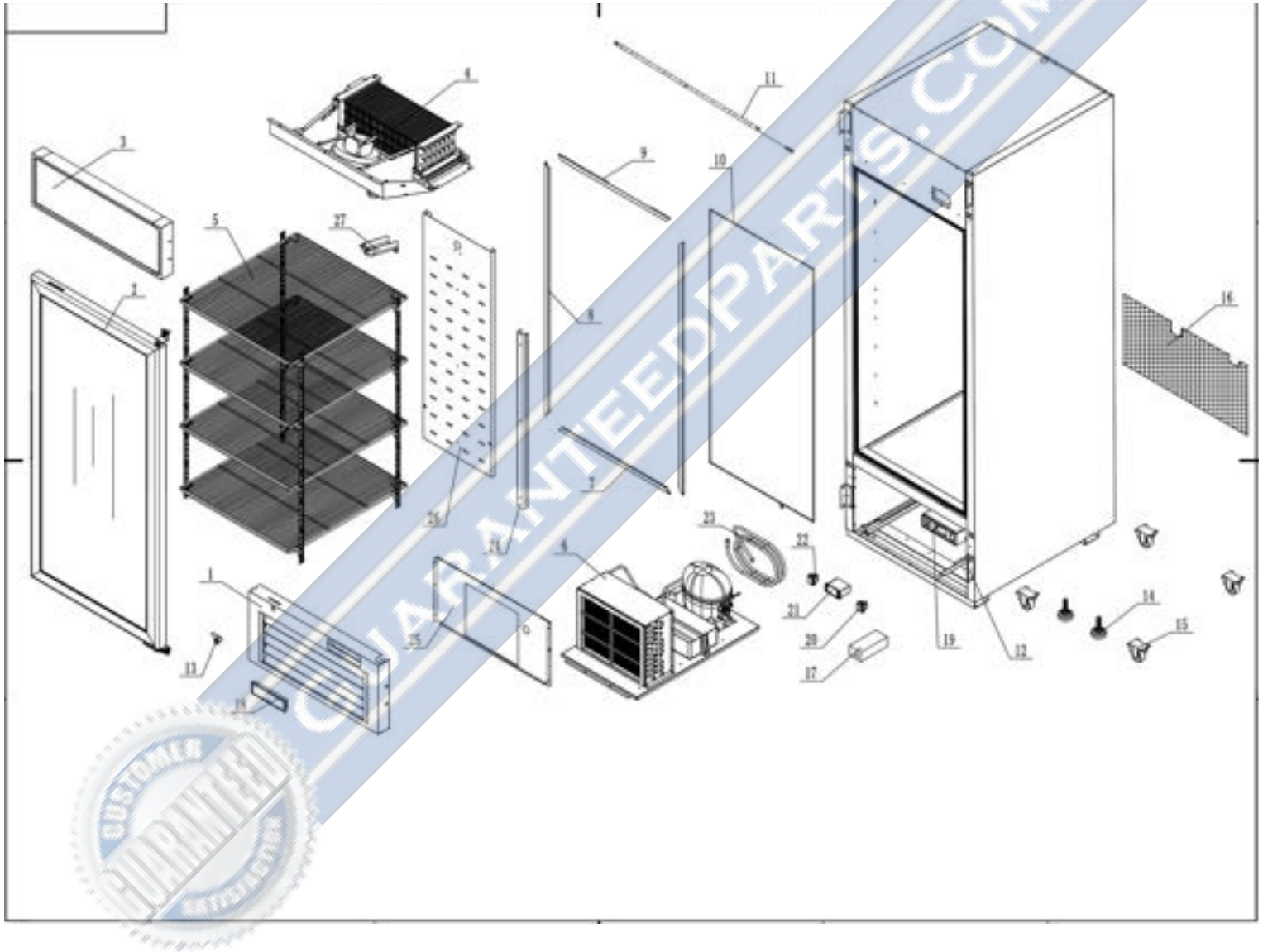


# MIGALI

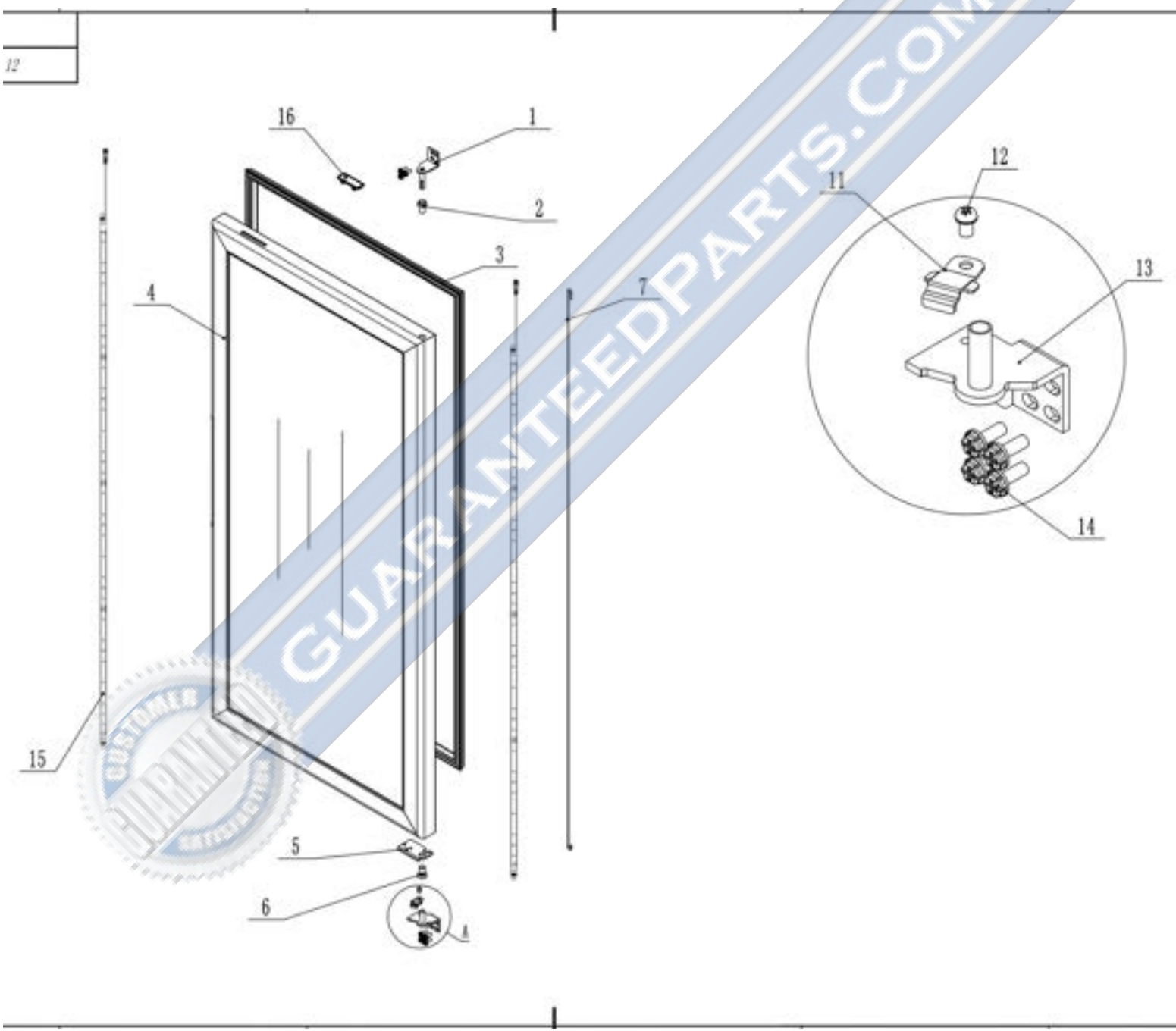
## C-23FM-HC



## Main Overview Assembly

Part No.	SKU	Description
1	1759-195	Bottom Panel Black C-23RM
7	1759-778	Bottom Frame Cover
8	1759-774	Left-Right Frame Cover
9	1759-777	Top Frame Cover
10	1759-1120	Cabinet Wire Heater
11	1759-700	LED Light
12	1759-534	Fastener For Bottom Panel
13	1759-813	Locker
14	1759-1000	Leg
15	1759-1163	Caster 2" Without Brake- Plate
16	1759-715	Back Bottom Barrier
17	1759-712	Power Supply
18	1759-2229	Controller Cover C-23RM
19	1759-2227	Controller Bracket C-10RM
20	1759-705	Power Switch
21	1759-16699	Dixell Controller
21	1759-1666	Digital Controller-Frz R290 Carel
22	1759-704	Light Switch
23	1759-341	Low Pressure Coil Back to Comp
24	1759-435	Back Wind Deflector Stents
25	1759-529	Wind Deflector Unit
26	1759-436	Back Wind Deflector
27	1759-749	A Drain Protection

# 2- Door Assembly

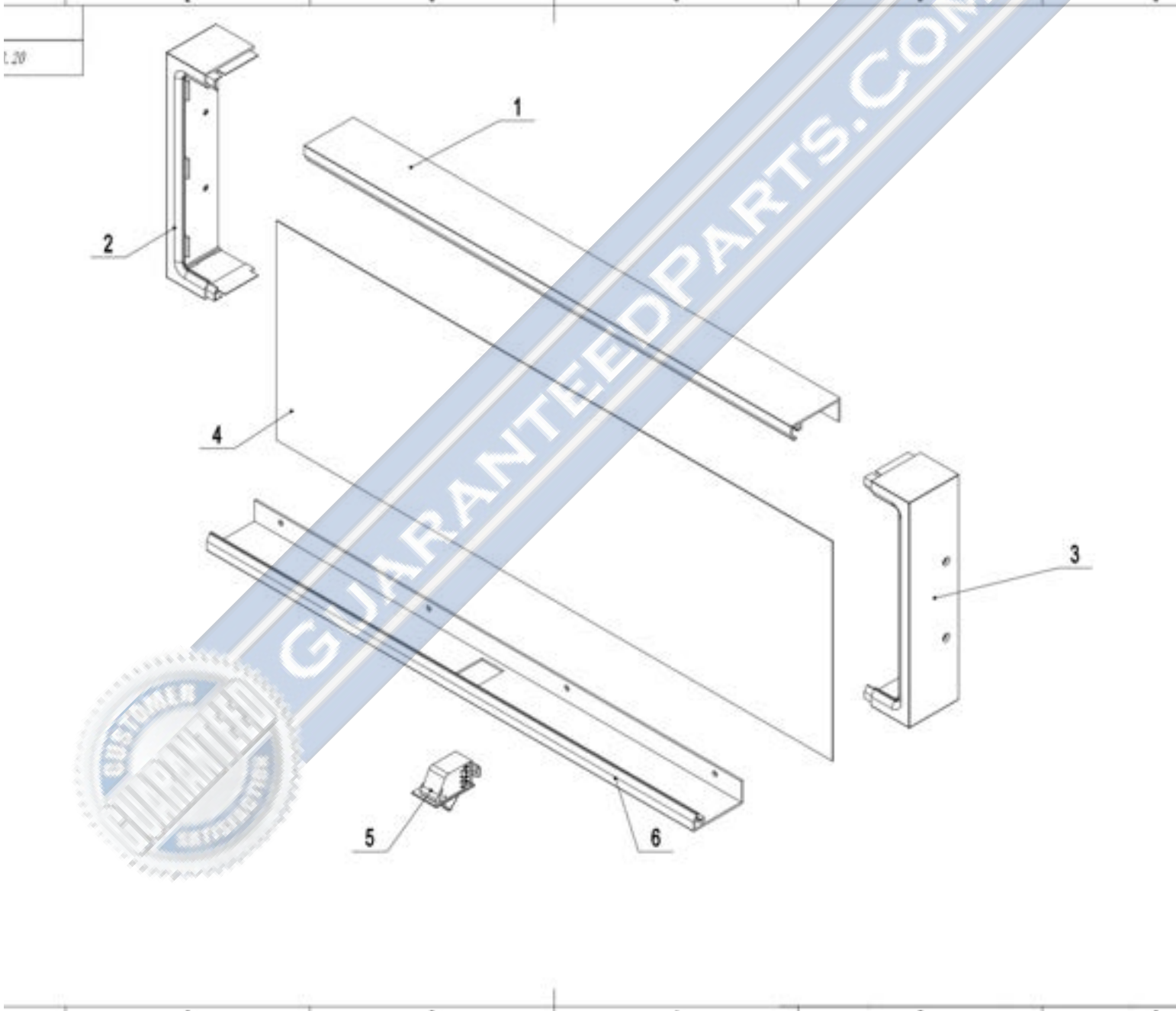


Part Number	SKU	Description
1	1759-815	Right-Top Hinge
2	1759-754	Door Shaft Sleeve-Top
3	1759-1737	Door Gasket C-23FM/RM-HC,C-49F,C-72FM
4	1759-870	Right Glass Door
5	1759-823	Door Brake
6	1759-755	Door Shaft Sleeve-Bottom
7	1759-841	Door Spring Bar
11	1759-829	Door Brake-Bottom
12	1759-1161	SS Screw M6X8
13	1759-817	Right-Bottom Hinge
14	1759-1166	Screw W Flat Washer & Lock Washer
15	1759-698	LED Light



GUARANTEED PARTS.COM

# 3- Motor Cover Assembly

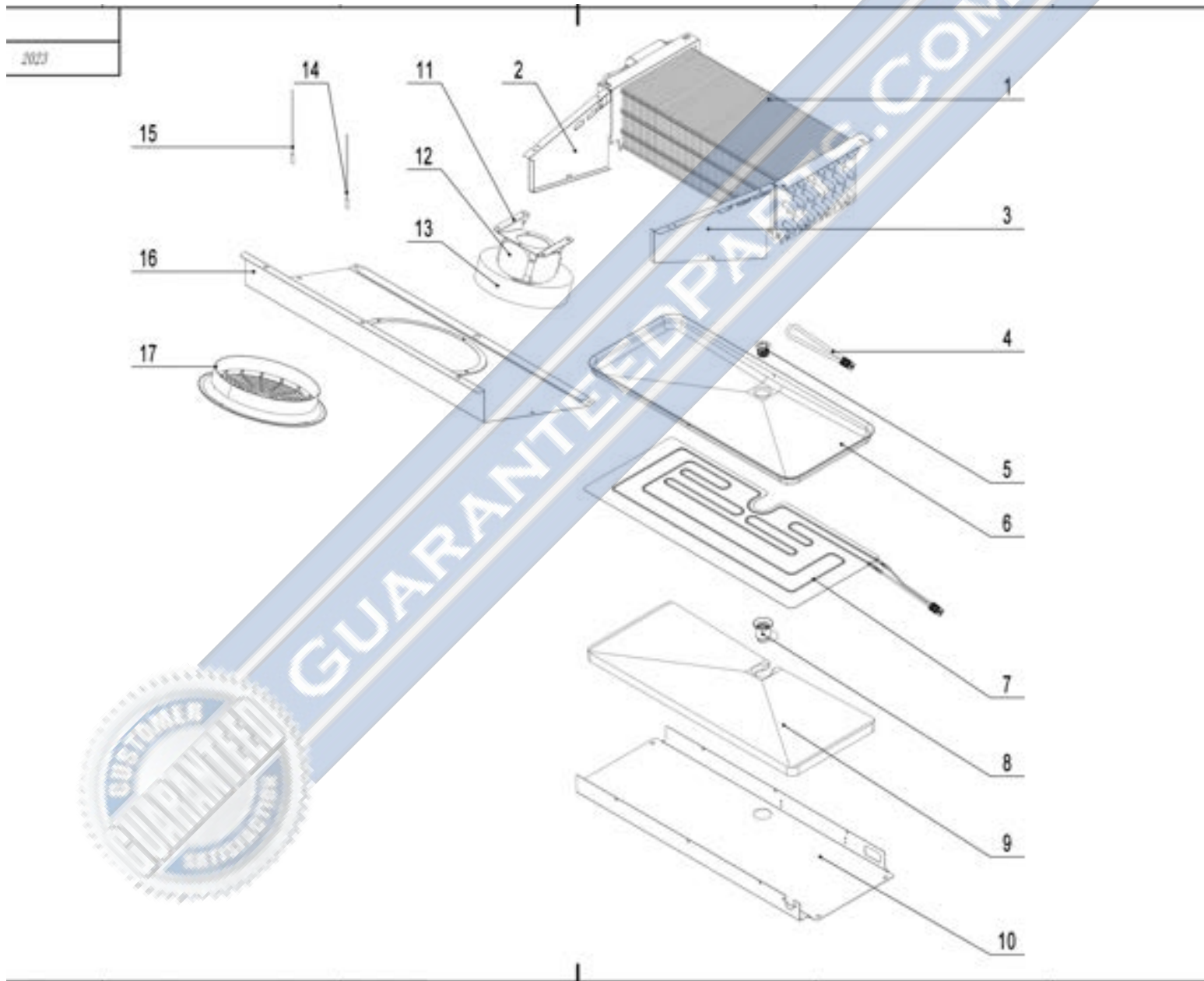


Part Number	SKU	Description
1	1759-785	Top Panel Frame-Top
2	1759-751	Top Panel Frame-Left
3	1759-750	Top Panel Frame-Right
4	1759-773	Top Panel
5	1759-2228	Gate Magnetic Switch C-10RM
6	1759-1754	Top Panel Frame-Bottom C-23FM-HC



GUARANTEEDPARTS.COM

# 4- Evaporator Assembly

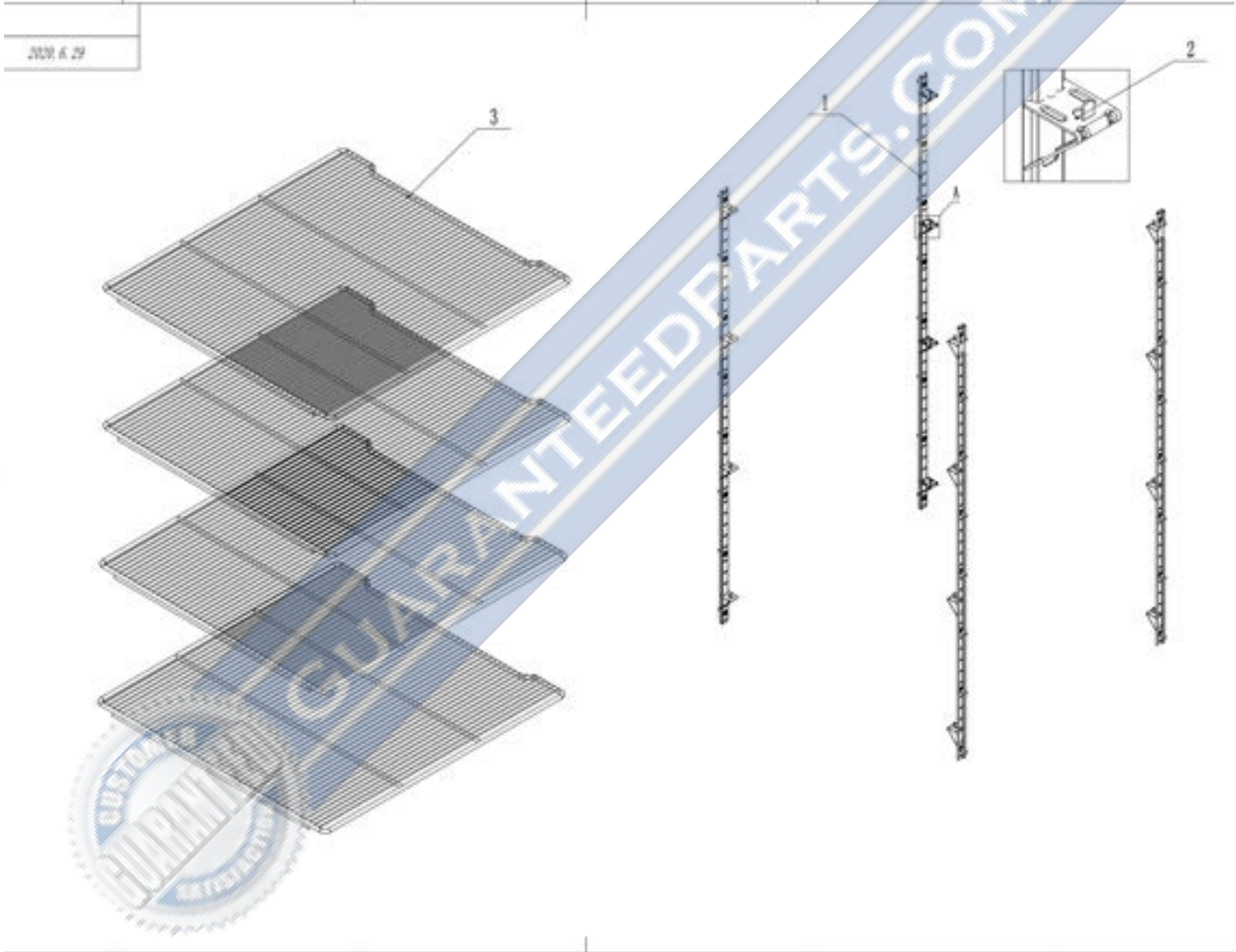


Part Number	SKU	Description
1	1759-646	Evaporator
2	1759-12	Left Air Lane Cover
3	1759-13	Right Air Lane Cover
4	1759-706	Drain Hose Heater
5	1759-758	Drain Hose Connector B
6	1759-11	Drain Pan
7	1759-707	Drain Pan Heater
8	1759-757	Drain Hose Connector A
9	1759-845	Drain Pan Foam
10	1759-527	Drain Pan Cover
11	1759-15	Evap Fan Bracket
12	1759-2235	Evap Fan Motor C-49FM-HCe
13	1759-2236	Evap Fan Blade C-49FM-HCe
14	1759-697	Room Sensor Probe
15	1759-910	Defrost Sensor Probe
16	1759-563	Evap Front Cover
17	1759-748	Evap Fan Motor Cover



GUARANTEED PARTS.COM

# 5- Shelf Assembly

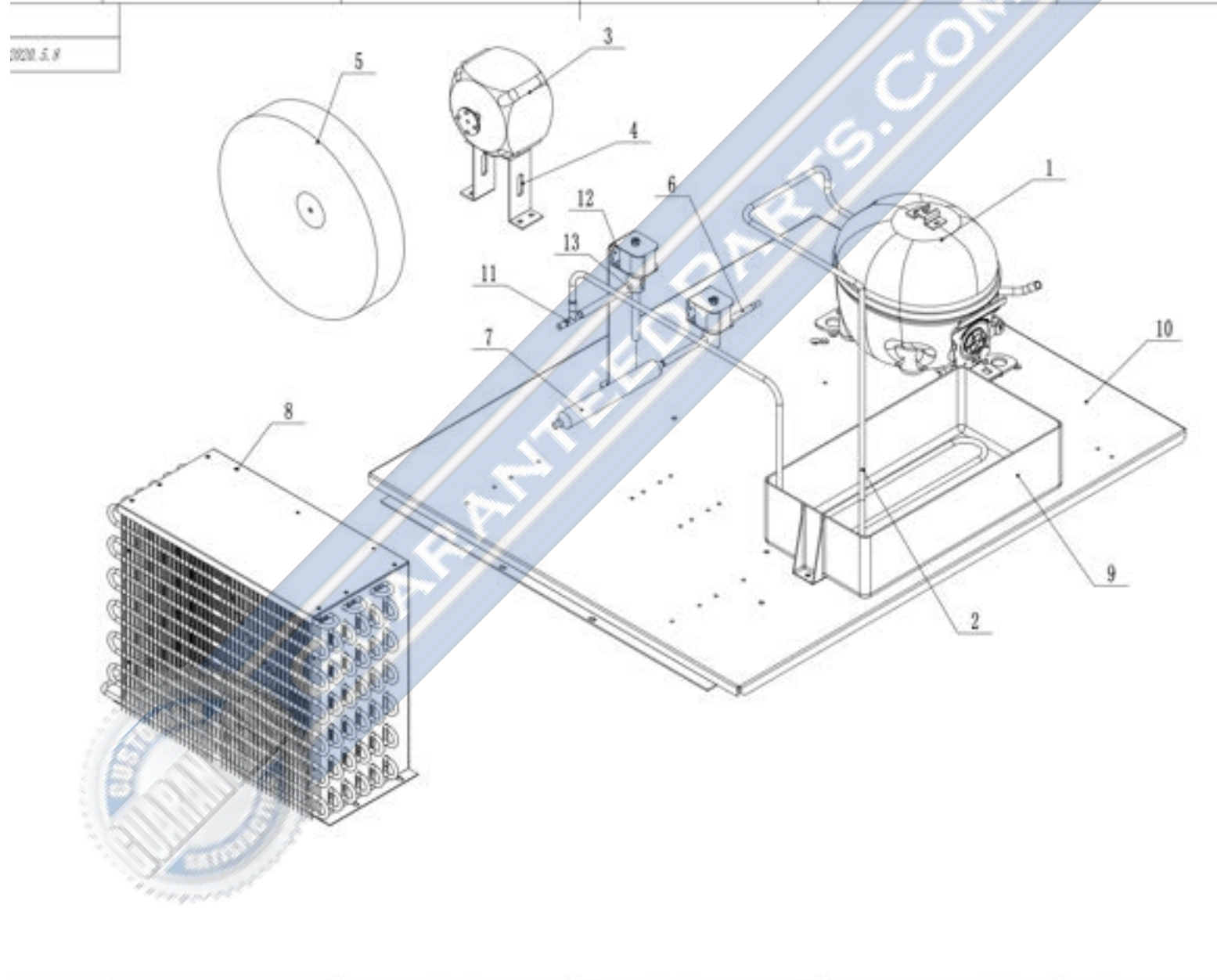


Part Number	SKU	Description
1	1759-483	Pilaster For Shelf
2	1759-04	Shelf Support Clip
3	1759-383	Shelf C-23FM-HC, C-23RM-HC



GUARANTEEDPARTS.COM

# 6- Condensing Unit Assembly



Part Number	SKU	Description
1	1759-1695	Compressor Cubigel Nut90Lr R290
2	1759-1991	High Pressure Coil
3	1759-350	Condenser Fan Motor Ebmpapst
4	1759-497	Condenser Fan Bracket
5	1759-683	Condenser Fan Blade
6	1759-1242	Solenoid Valve Body (Normally Open)
7	1759-657	Dry Filter
8	1759-654	Condenser
9	1759-792	Plastic Drain Pan
10	1759-2231	Compressor Board C-1FB-HC
11	1759-989	"T" Three Way Connecting Pipe
12	1759-940	Solenoid Valve Winding
13	1759-941	Solenoid Valve Body



GUARANTEED PARTS.COM