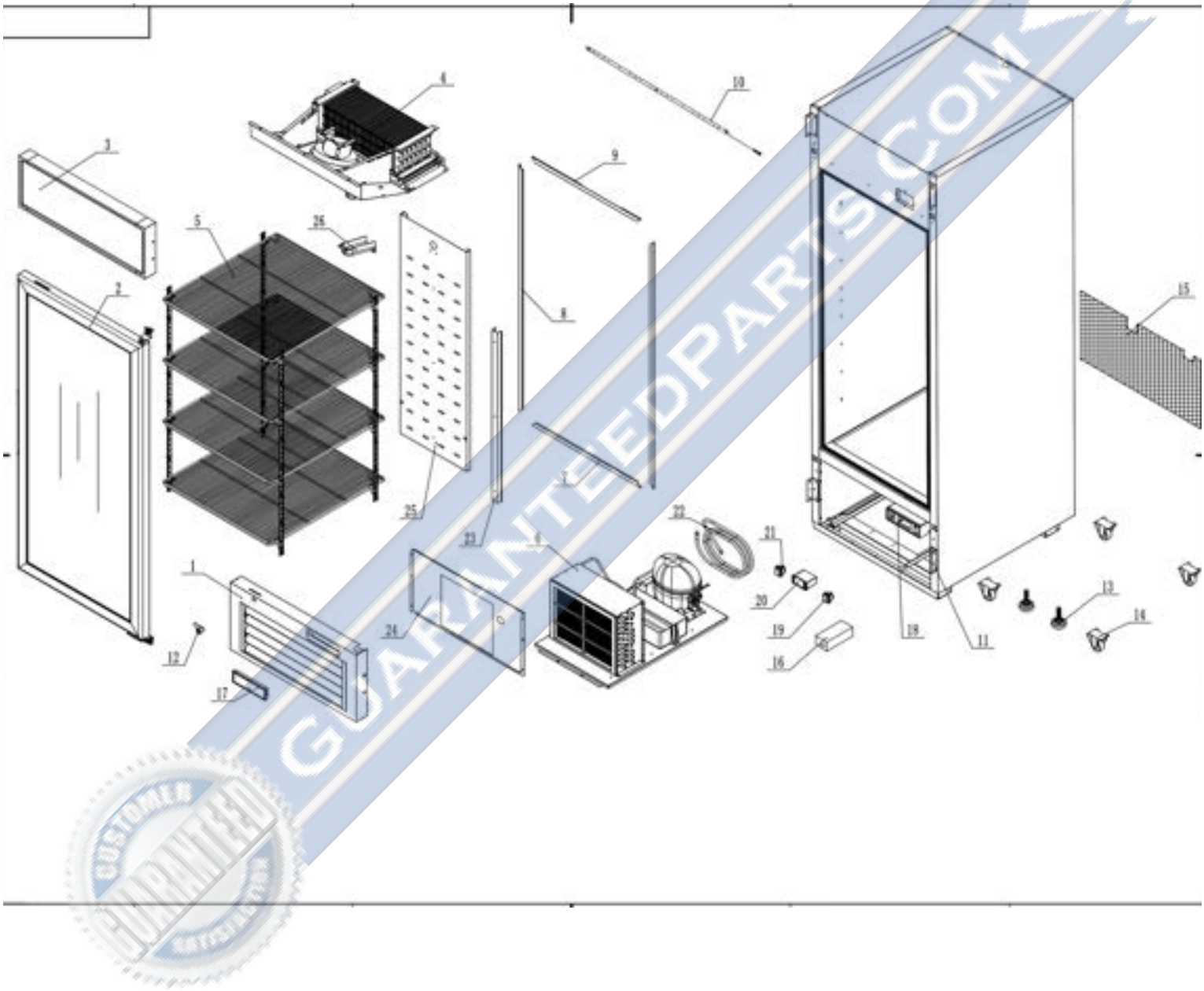


MIGALI

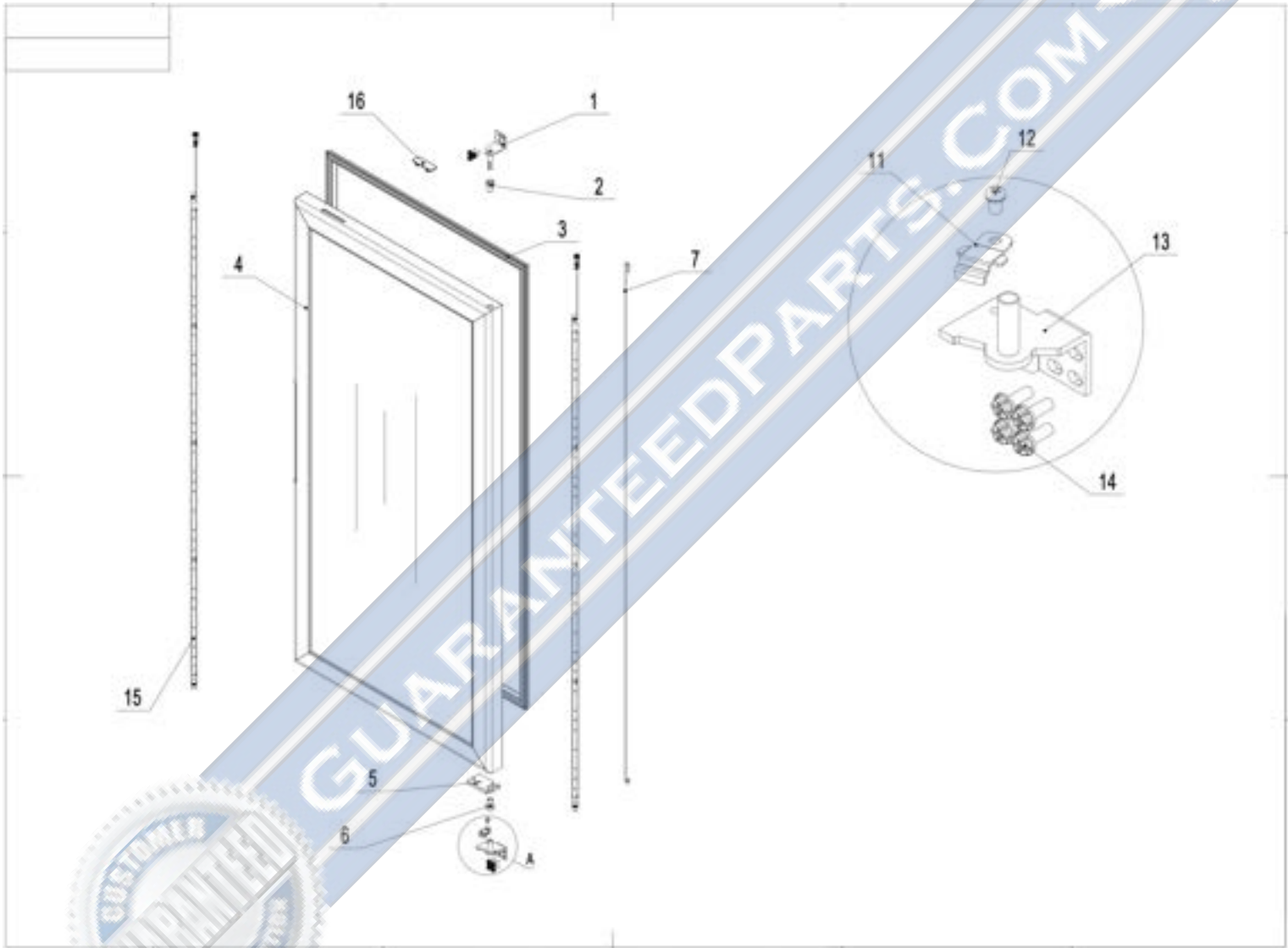
C-23RM-HC



Main Overview

Part Number	SKU	Description
1	1759-195	Bottom Panel Black C-23RM
7	1759-778	Bottom Frame Cover
8	1759-774	Left-Right Frame Cover
9	1759-777	Top Frame Cover
10	1759-700	LED Light
11	1759-534	Fastener For Bottom Panel
12	1759-813	Locker
13	1759-1000	Leg
14	1759-1163	Caster 2" Without Brake- Plate
15	1759-715	Back Bottom Barrier
16	1759-1832	LED Power
17	1759-2229	Controller Cover C-23RM
18	1759-2227	Controller Bracket C-10RM
19	1759-705	Power Switch
20	1759-1667	Digital Controller Carel Pzyds
21	1759-704	Light Switch
22	1759-302	Suction Pipe(B)[115V] C-23RM,
23	1759-435	Back Wind Deflector Stents
24	1759-529	Wind Deflector Unit
25	1759-436	Back Wind Deflector
26	1759-749	A Drain Protection

2- Door Assembly



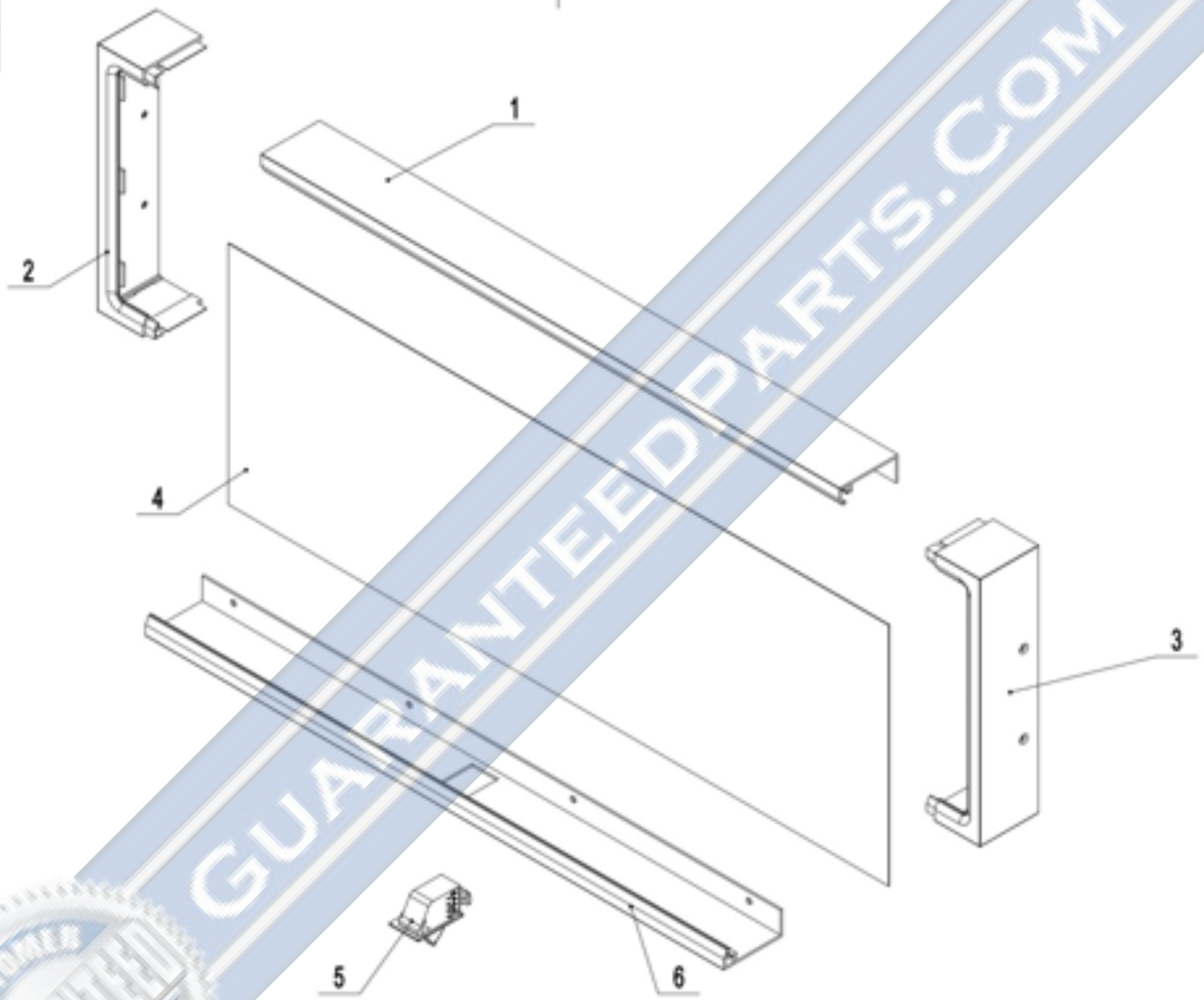
Part Number	SKU	Description
1	1759-815	Right-Top Hinge
2	1759-754	Door Shaft Sleeve-Top
3	1759-1737	Door Gasket C-23FM/RM-HC,C-49F,C-72FM
4	1759-799	Right Glass Door
5	1759-823	Door Brake
6	1759-755	Door Shaft Sleeve-Bottom
7	1759-841	Door Spring Bar
11	1759-829	Door Brake-Bottom
12	1759-1161	SS Screw M6X8
13	1759-817	Right-Bottom Hinge
14	1759-1166	Screw W Flat Washer & Lock Washer
15	1759-698	LED Light



GUARANTEEDPARTS.COM

3- Motor Cover Assembly

2020.1.20

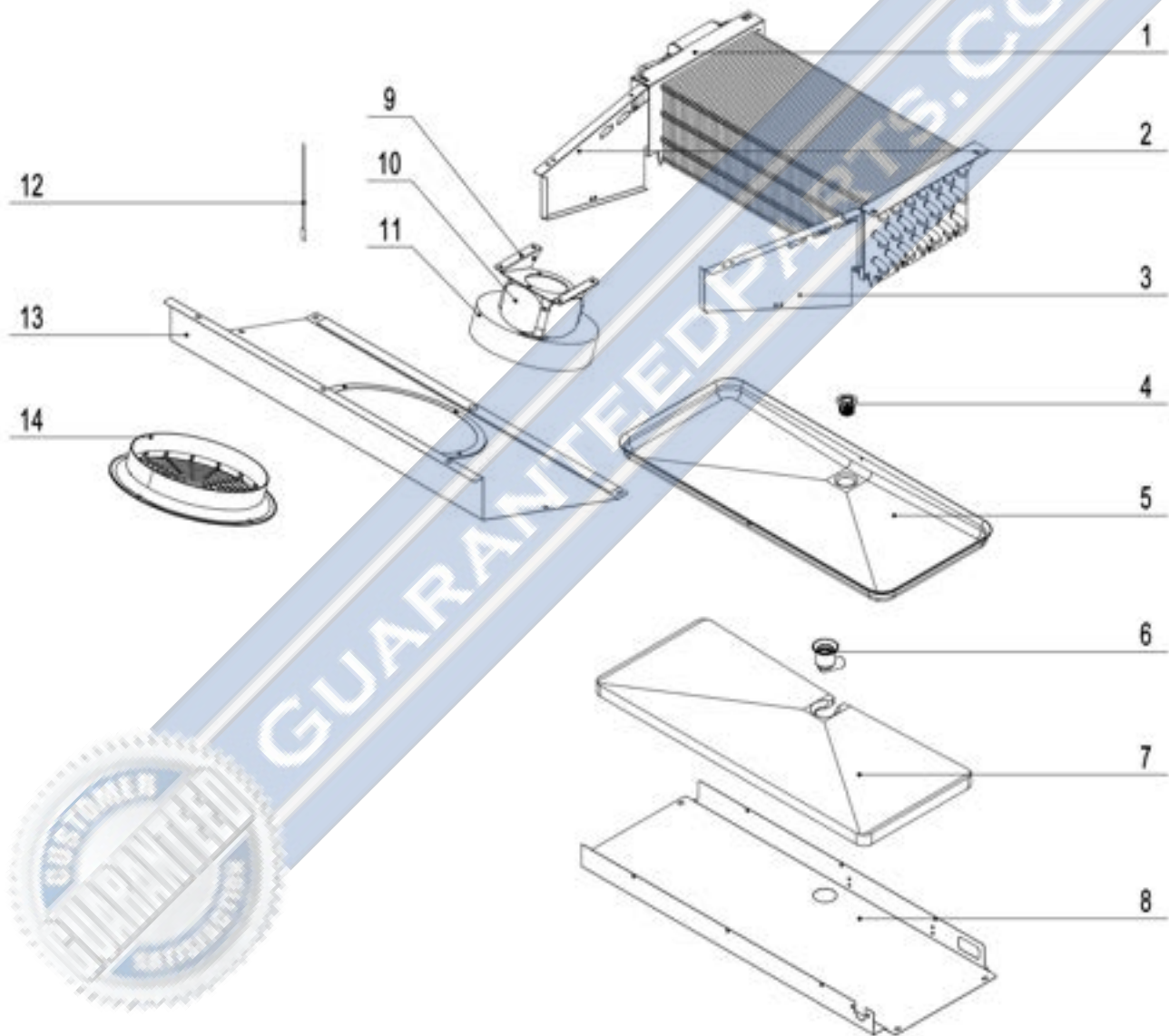


Part Number	SKU	Description
1	1759-785	Top Panel Frame-Top
2	1759-751	Top Panel Frame-Left
3	1759-750	Top Panel Frame-Right
4	1759-772	Top Panel - Migali Sign For Glass Door Refrigerator
5	1759-2228	Gate Magnetic Switch C-10RM
6	1759-1754	Top Panel Frame-Bottom C-23FM-HC



GUARANTEEDPARTS.COM

4- Evaporator Assembly

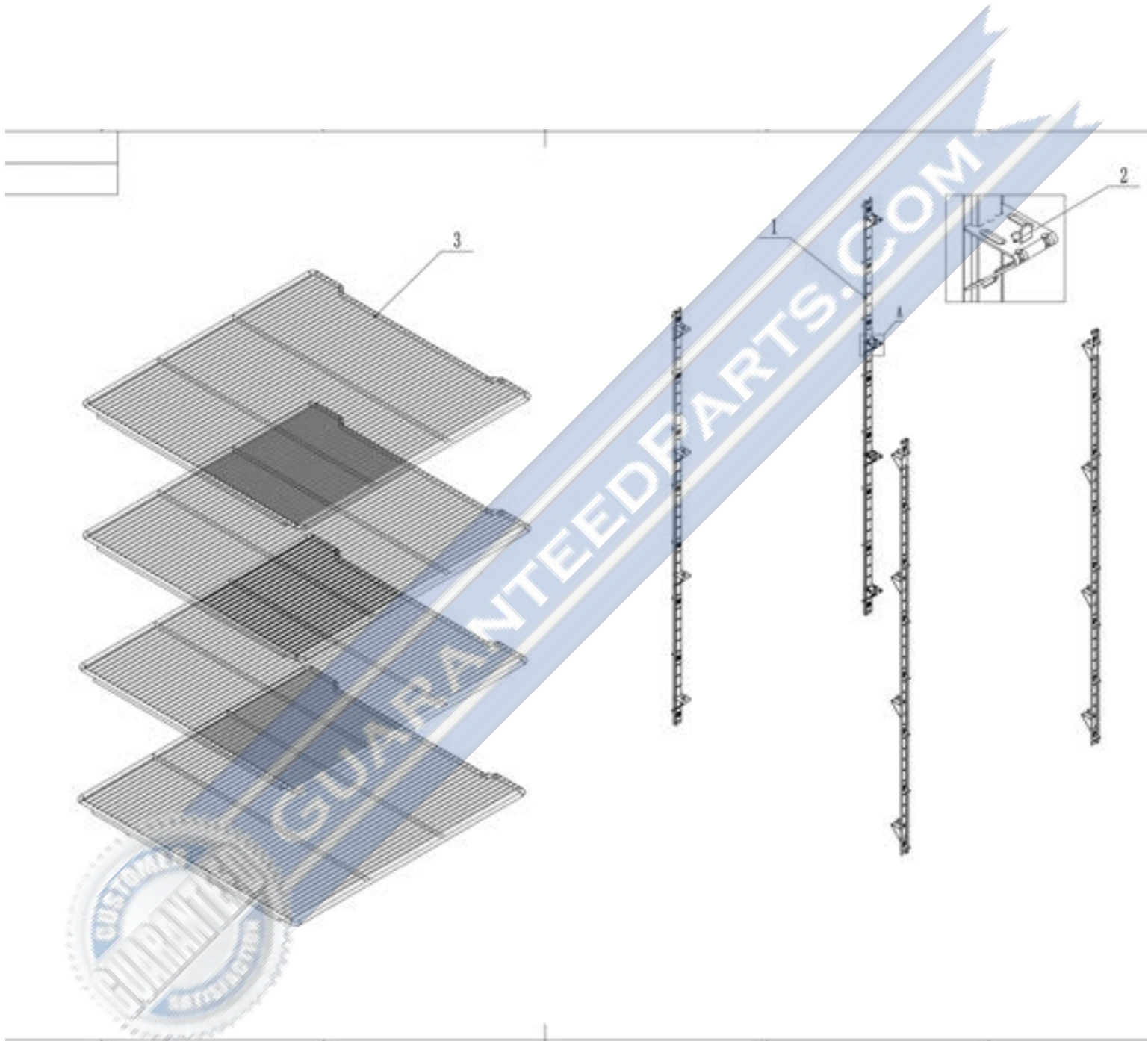


Part Number	SKU	Description
1	1759-640	Evaporator
2	1759-12	Left Air Lane Cover
3	1759-13	Right Air Lane Cover
4	1759-758	Drain Hose Connector B
5	1759-11	Drain Pan
6	1759-757	Drain Hose Connector A
7	1759-845	Drain Pan Foam
8	1759-527	Drain Pan Cover
9	1759-15	Evap Fan Bracket
10	1759-686	Evap Fan Motor
11	1759-681	Evap Fan Blade
12	1759-697	Room Sensor Probe
13	1759-563	Evap Front Cover
14	1759-748	Evap Fan Motor Cover



GUARANTEED PARTS.COM

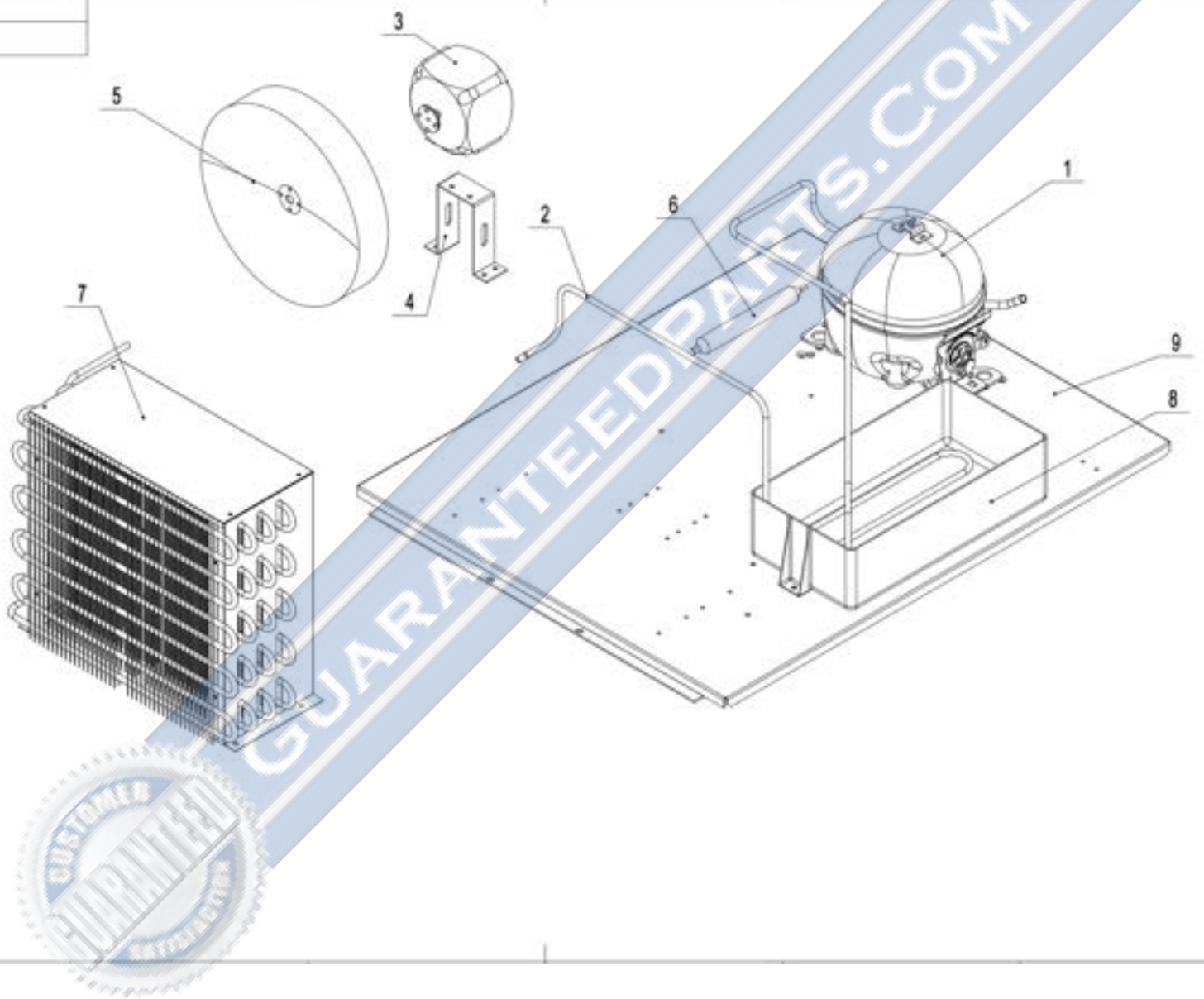
5- Shelf Assembly



Part Number	SKU	Description
1	1759-483	Pilaster For Shelf
2	1759-04	Shelf Support Clip
3	1759-383	Shelf C-23FM-HC, C-23RM-HC



6- Condensing Unit Assembly



Part Number	SKU	Description
1	1759-1746	Compressor Cubigel Nut35Nr1,1.
2	1759-669	High Pressure Coil
3	1759-687	Condenser Fan Motor
4	1759-497	Condenser Fan Bracket
5	1759-683	Condenser Fan Blade
6	1759-657	Dry Filter
7	1759-652	Condenser
8	1759-792	Plastic Drain Pan
9	1759-2231	Compressor Board C-1FB-HC
xxx	1759-670	Connecting Coil to Condenser



GUARANTEEDPARTS.COM