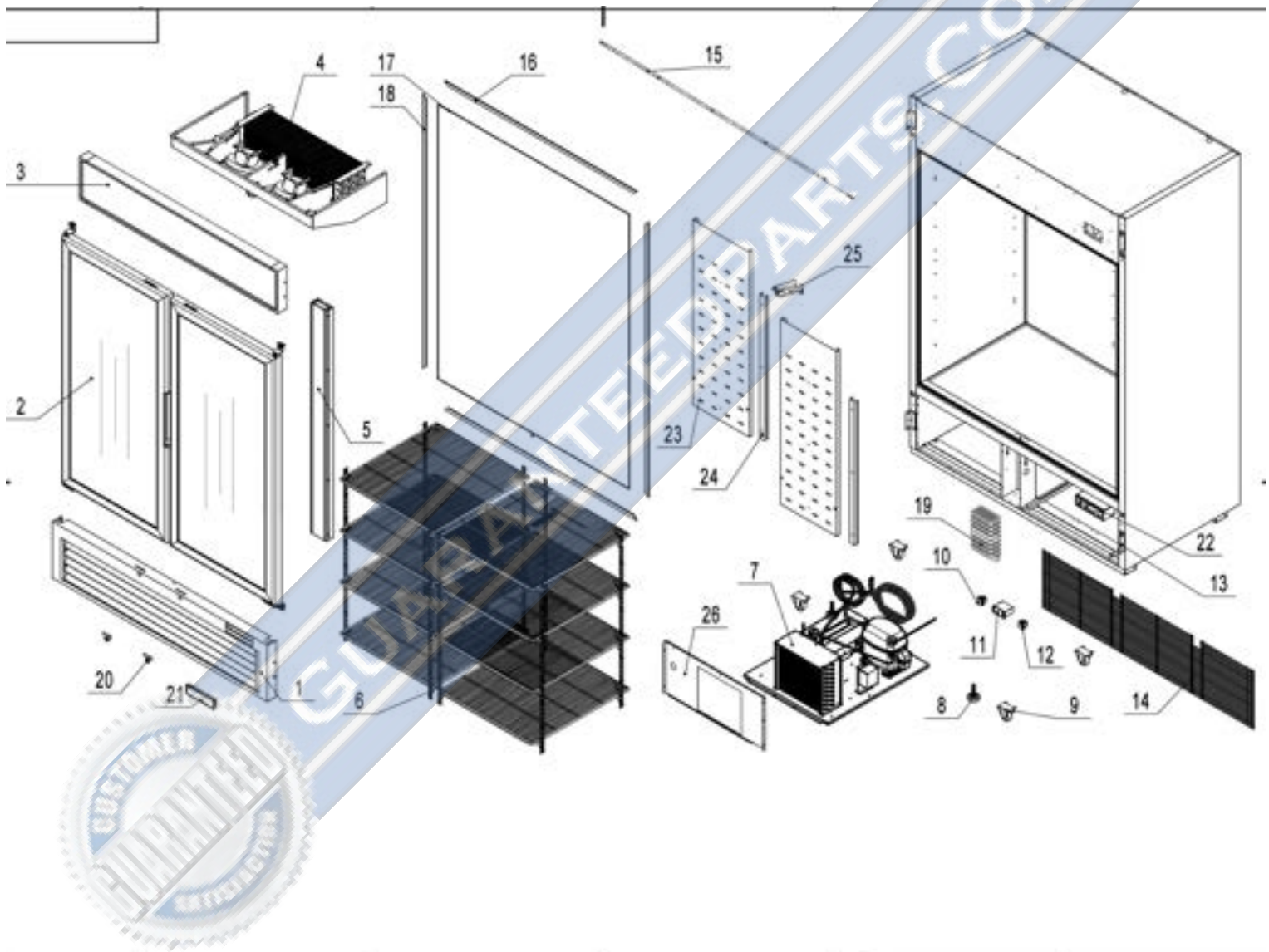


MIGALI

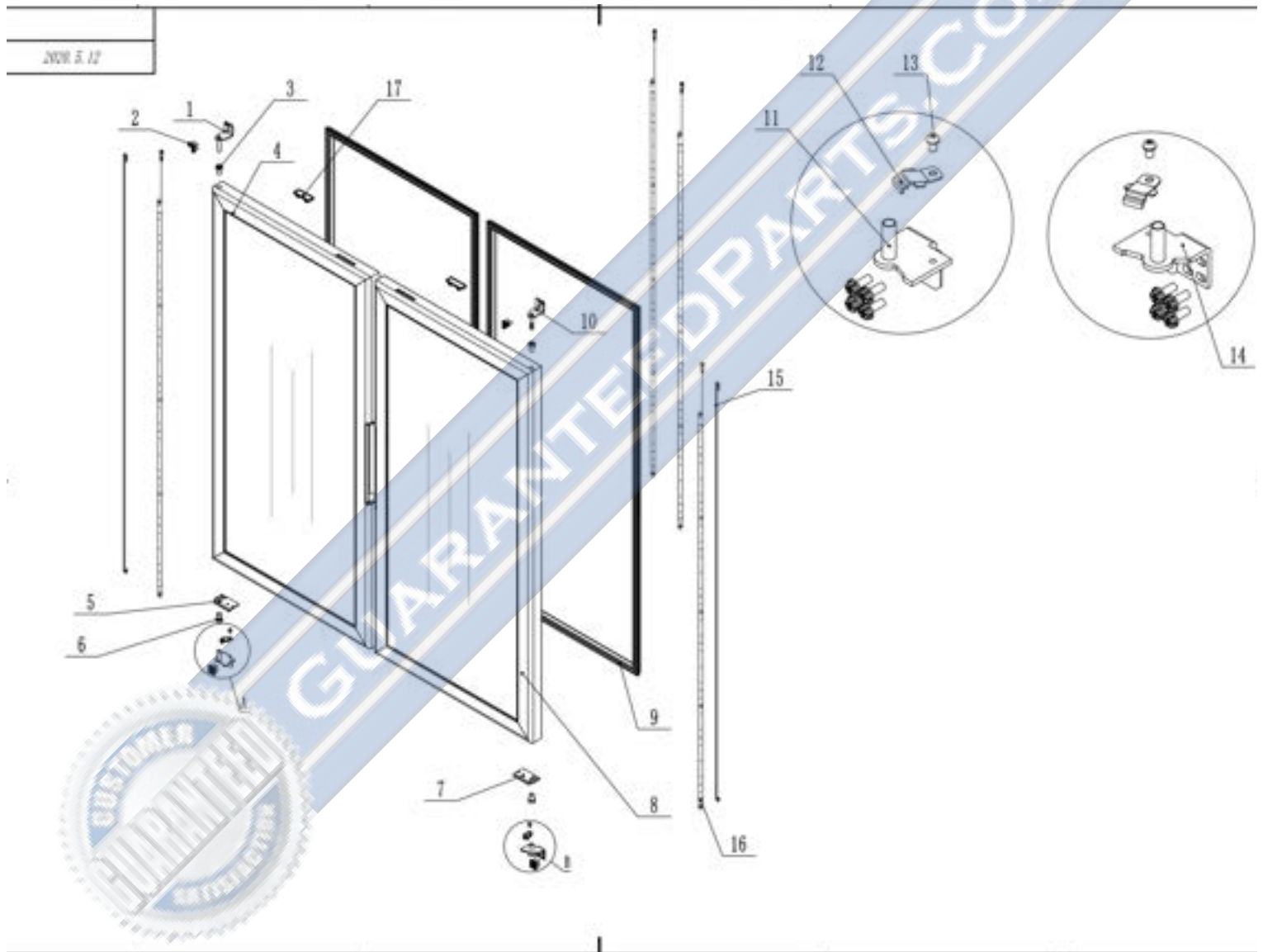
C-49FM-HCE



Main Overview

Part No.	SKU	Description
1	1759-569	Bottom Panel
8	1759-1000	Leg
9	1759-1163	Caster 2" Without Brake- Plate
10	1759-704	Light Switch
11	1759-1666	Digital Controller-Frz R290 Carel
12	1759-705	Power Switch
13	1759-534	Fastener For Bottom Panel
14	1759-731	Back Bottom Barrier
15	1759-698	LED Light
16	1759-1494	Top-Bottom Frame Cover C-49FM-HC
17	1759-1486	Cabinet Heater C-49FM-HCe
18	1759-1491	Left-Right Frame Cover C-49FM-HC
19	1759-1011	Power Supply
20	1759-813	Locker
21	1759-2229	Controller Cover C-23RM
23	1759-455	Back Wind Deflector
24	1759-435	Back Wind Deflector Stents
25	1759-749	A Drain Protection
26	1759-531	Wind Deflector Unit
xxx	1759-775	Bottom Frame Cover R290 C-49RM-HC
Not Shown	1759-2227	Controller Bracket C-10RM

2- Door Assembly

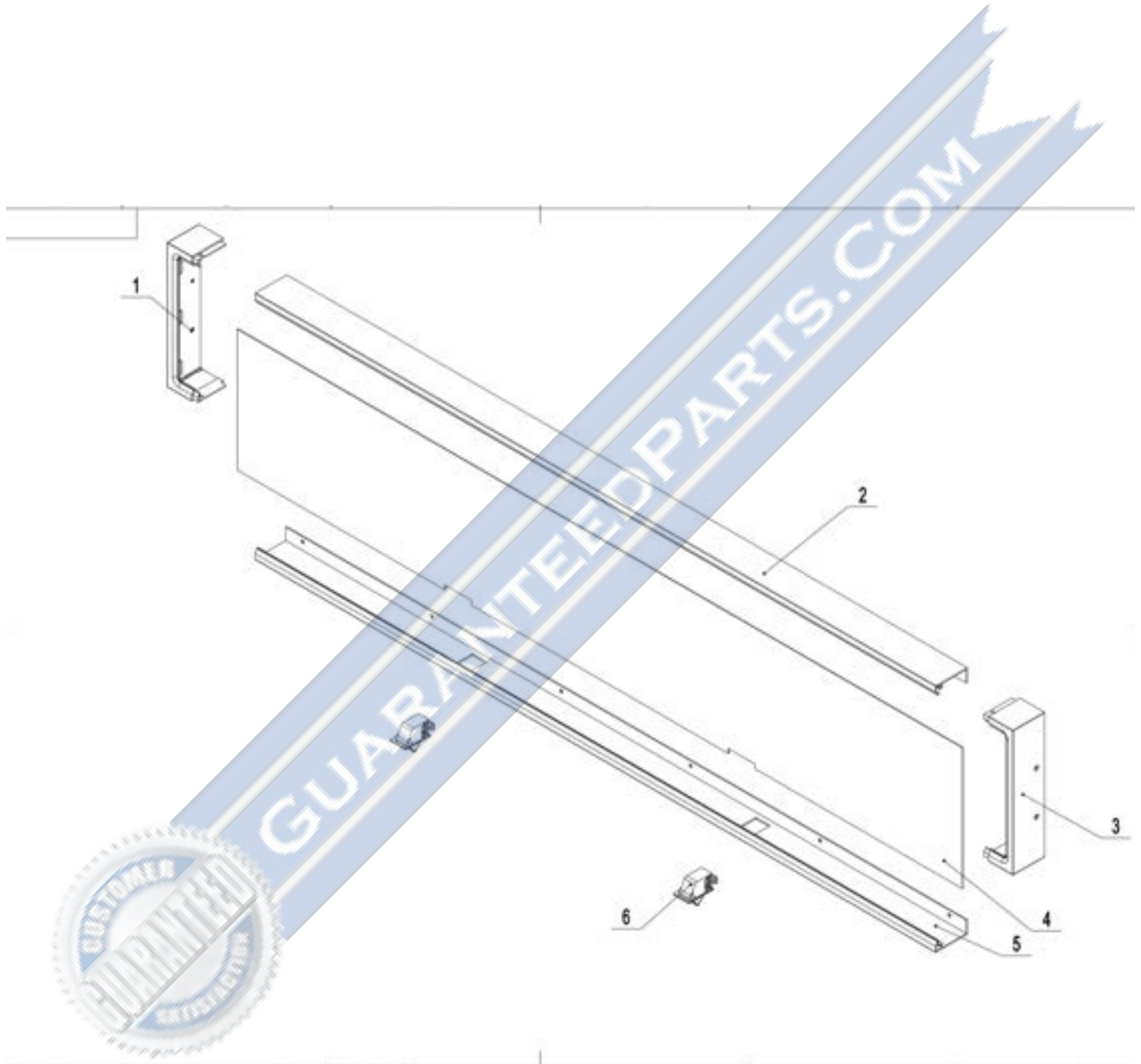


Part No.	SKU	Description
1	1759-816	Left-Top Hinge
2	1759-1166	Screw W Flat Washer & Lock Washer
3	1759-754	Door Shaft Sleeve-Top
4	1759-1005	Left Glass Door
5	1759-824	Door Brake-Left
6	1759-755	Door Shaft Sleeve-Bottom
7	1759-823	Door Brake
8	1759-870	Right Glass Door
9	1759-1737	Door Gasket C-23FM/RM-HC,C-49F,C-72FM
10	1759-815	Right-Top Hinge
11	1759-818	Left-Bottom Hinge
12	1759-829	Door Brake-Bottom
13	1759-1161	SS Screw M6X8
14	1759-817	Right-Bottom Hinge
15	1759-841	Door Spring Bar
16	1759-698	LED Light



GUARANTEED PARTS.COM

3- Motor Cover Assembly

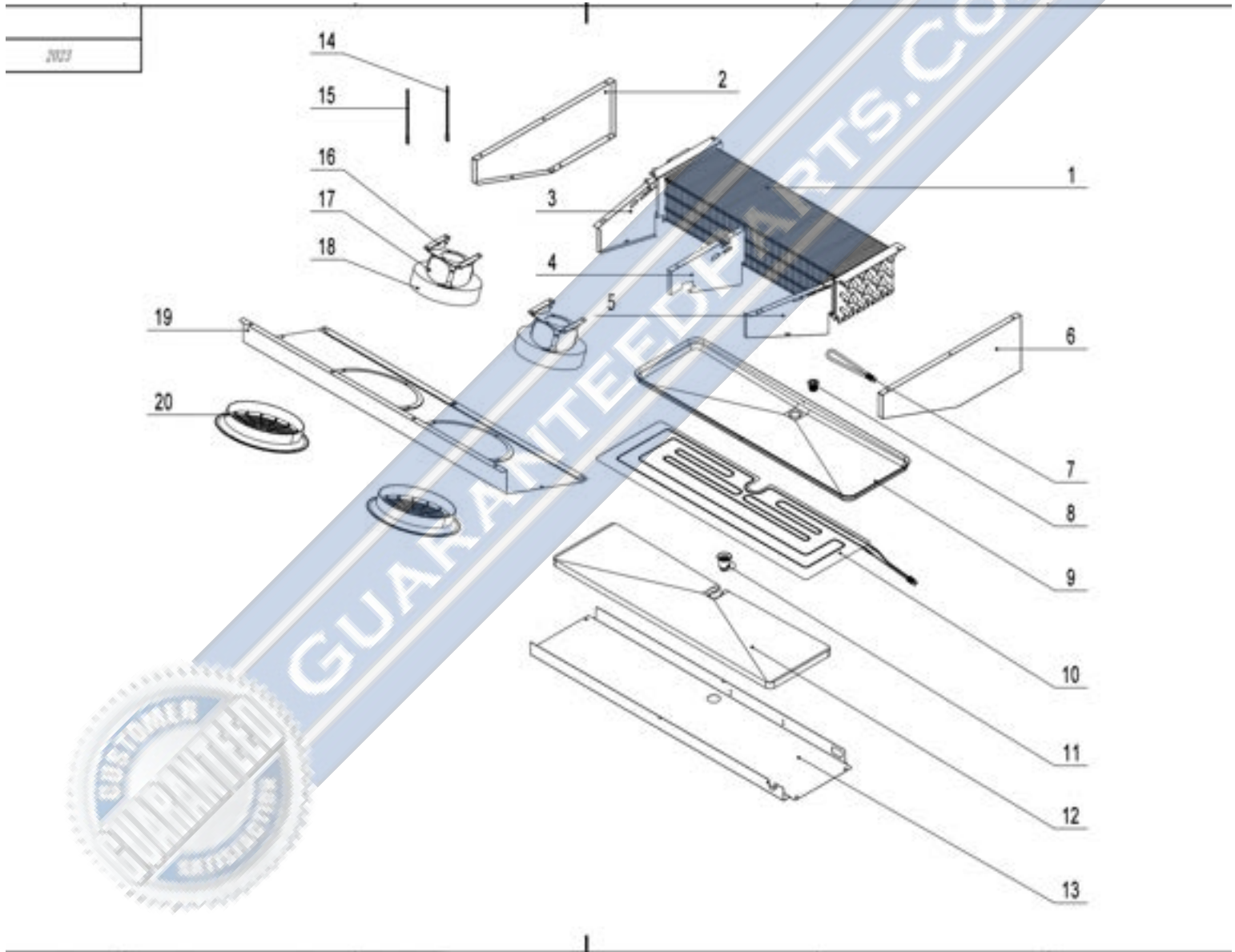


Part No.	SKU	Description
1	1759-751	Top Panel Frame-Left
2	1759-787	Top Panel Frame-Top
3	1759-750	Top Panel Frame-Right
4	1759-408	Top Panel
5	1759-1775	Top Panel Frame Of Light Box With New Cu
6	1759-2228	Gate Magnetic Switch C-10RM

GUARANTEEDPARTS.COM



4- Evaporator Assembly



Part No.	SKU	Description
1	1759-647	Evaporator
2	1759-1849	Evap Left Cover
3	1759-12	Left Air Lane Cover
4	1759-459	Middle Air Lane Cover
5	1759-13	Right Air Lane Cover
6	1759-1850	Evap Right Cover
7	1759-706	Drain Hose Heater
8	1759-758	Drain Hose Connector B
9	1759-469	Drain Pan
10	1759-708	Drain Pan Heater
11	1759-757	Drain Hose Connector A
12	1759-846	Drain Pan Foam
13	1759-502	Drain Pan Cover
14	1759-697	Room Sensor Probe
15	1759-910	Defrost Sensor Probe
16	1759-15	Evap Fan Bracket
17	1759-2235	Evap Fan Motor C-49FM-HCe
18	1759-2236	Evap Fan Blade C-49FM-HCe
19	1759-547	Evap Front Cover
20	1759-748	Evap Fan Motor Cover

5- Mullion Assembly

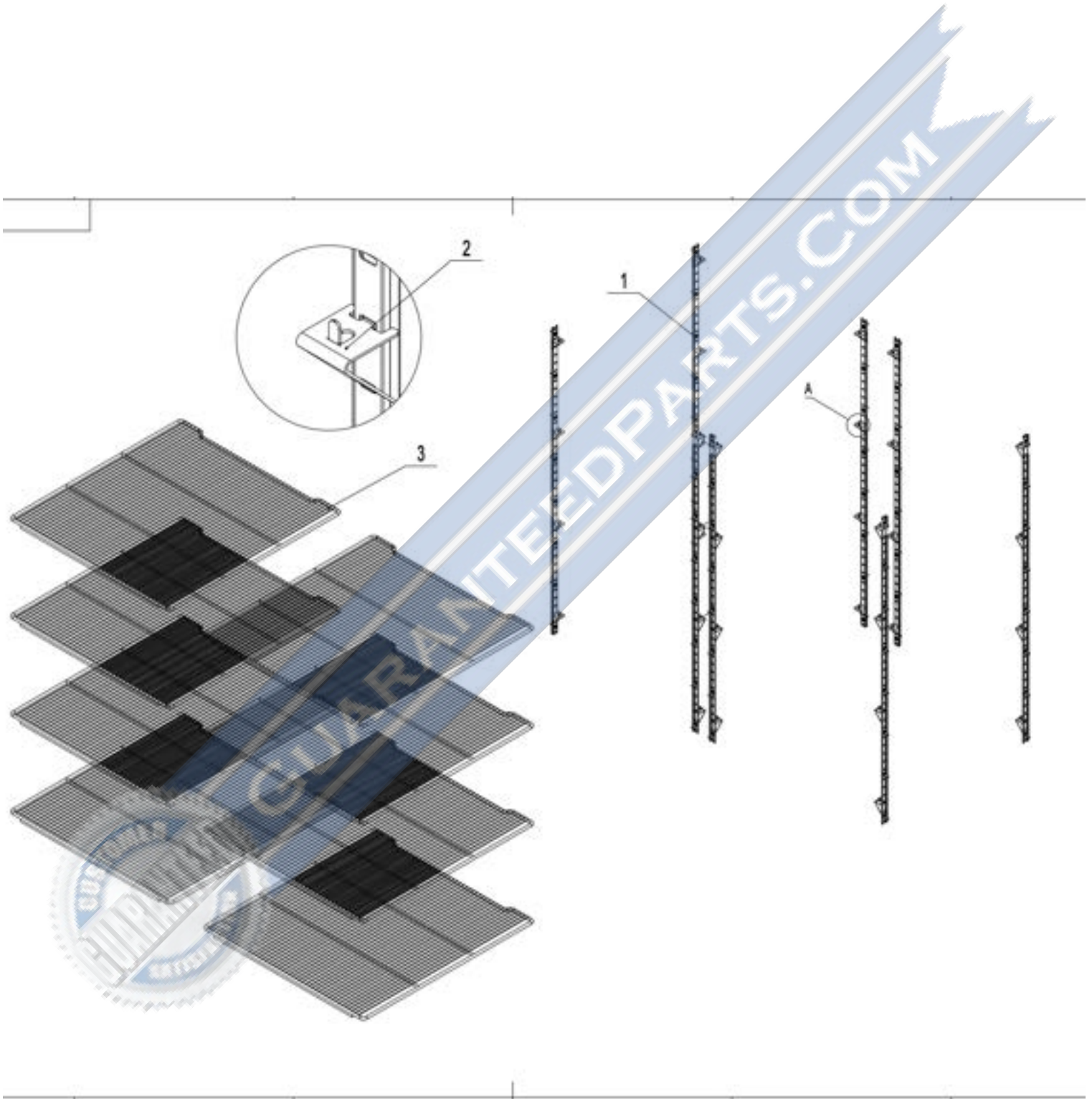


Part No.	SKU	Description
1	1759-2232	Mullion Back Cover
2	1759-805	Mullion Foam
3	1759-1487	Mullion Heater C-49FM-HCe
4	1759-791	Mullion Plastic Connector
5	1759-2233	Mullion Front Cover

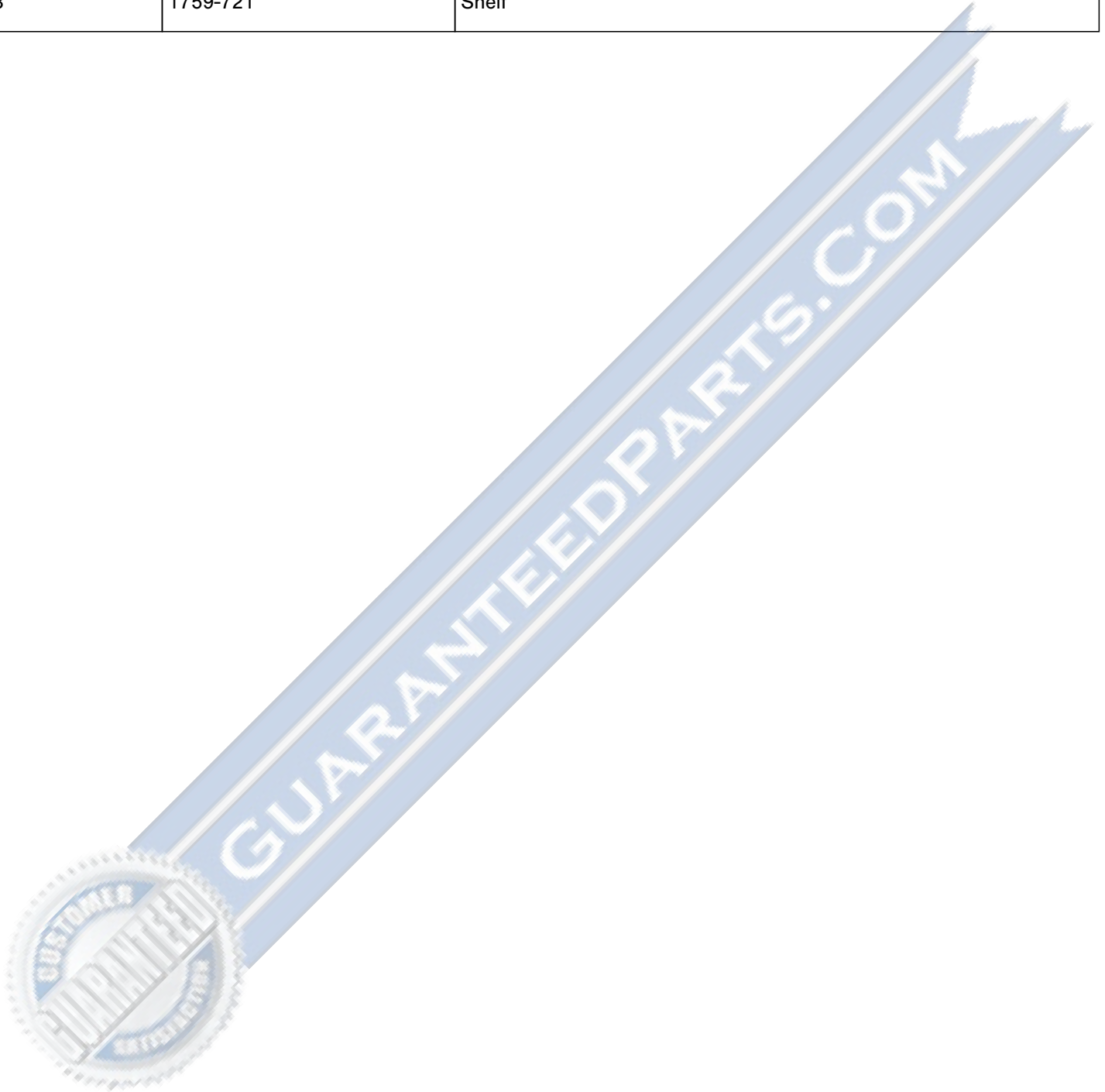


GUARANTEEDPARTS.COM

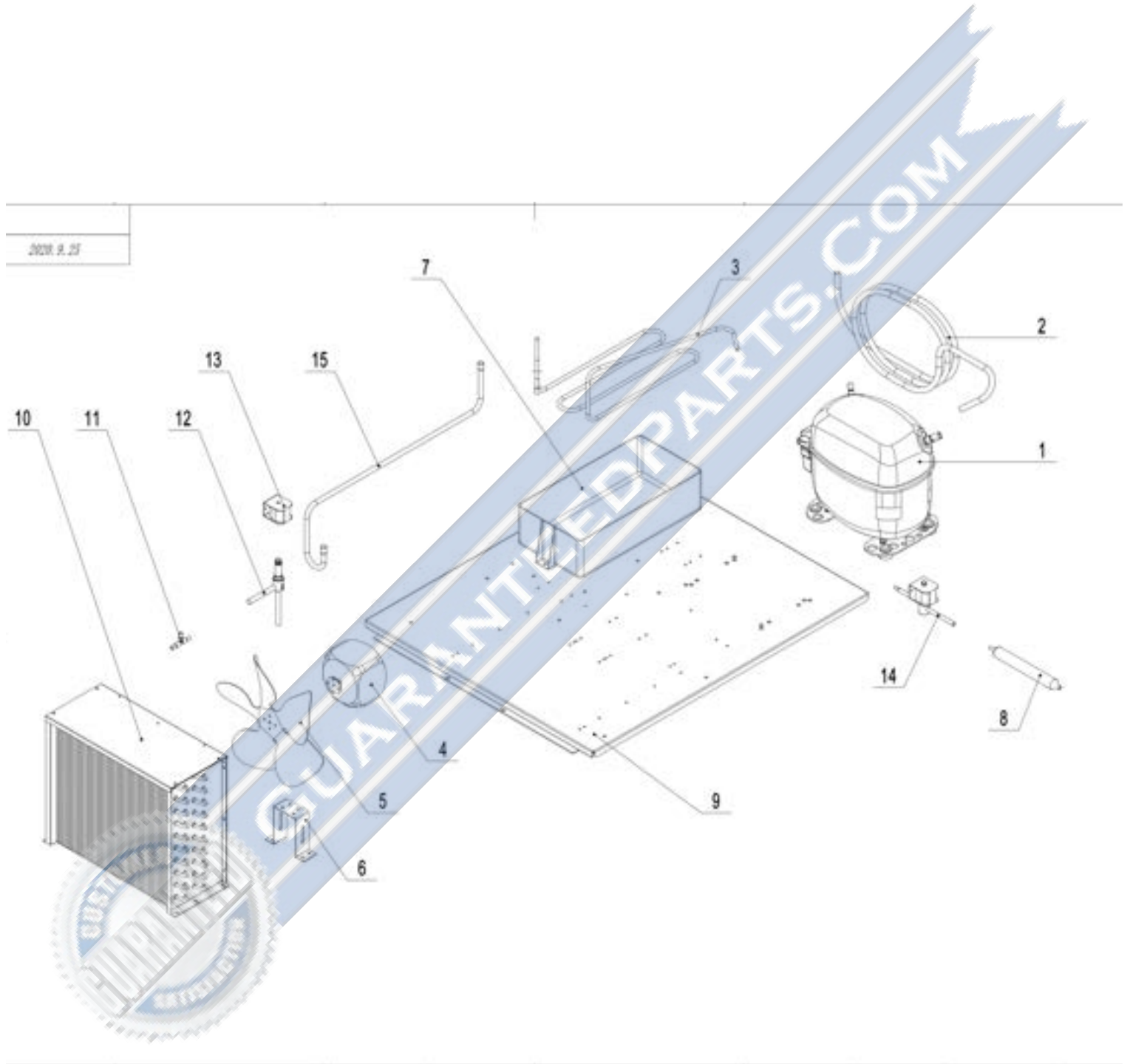
6- Shelf Assembly



Part No.	SKU	Description
1	1759-483	Pilaster For Shelf
2	1759-04	Shelf Support Clip
3	1759-721	Shelf



7- Condensing Unit Assembly



Part No.	SKU	Description
1	1759-1235	Compressor R290 Secop Sce18Cnl
2	1759-1496	(B) Low Pressure Coil Back To
3	1759-1497	High Pressure Coil C-49FM-HCe
4	1759-350	Condenser Fan Motor Ebmpapst
5	1759-683	Condenser Fan Blade
6	1759-497	Condenser Fan Bracket
7	1759-792	Plastic Drain Pan
8	1759-657	Dry Filter
9	1759-1950	Compressor Board
10	1759-1485	Condenser C-49FM-HCe
11	1759-989	"T" Three Way Connecting Pipe
12	1759-941	Solenoid Valve Body
13	1759-940	Solenoid Valve Winding
14	1759-1242	Solenoid Valve Body (Normally Open)
15	1759-1495	Connection Pipe Solenoid Valve
xxx	1759-1921	Connecting Coil to Condenser



GUARANTEED PARTS.COM