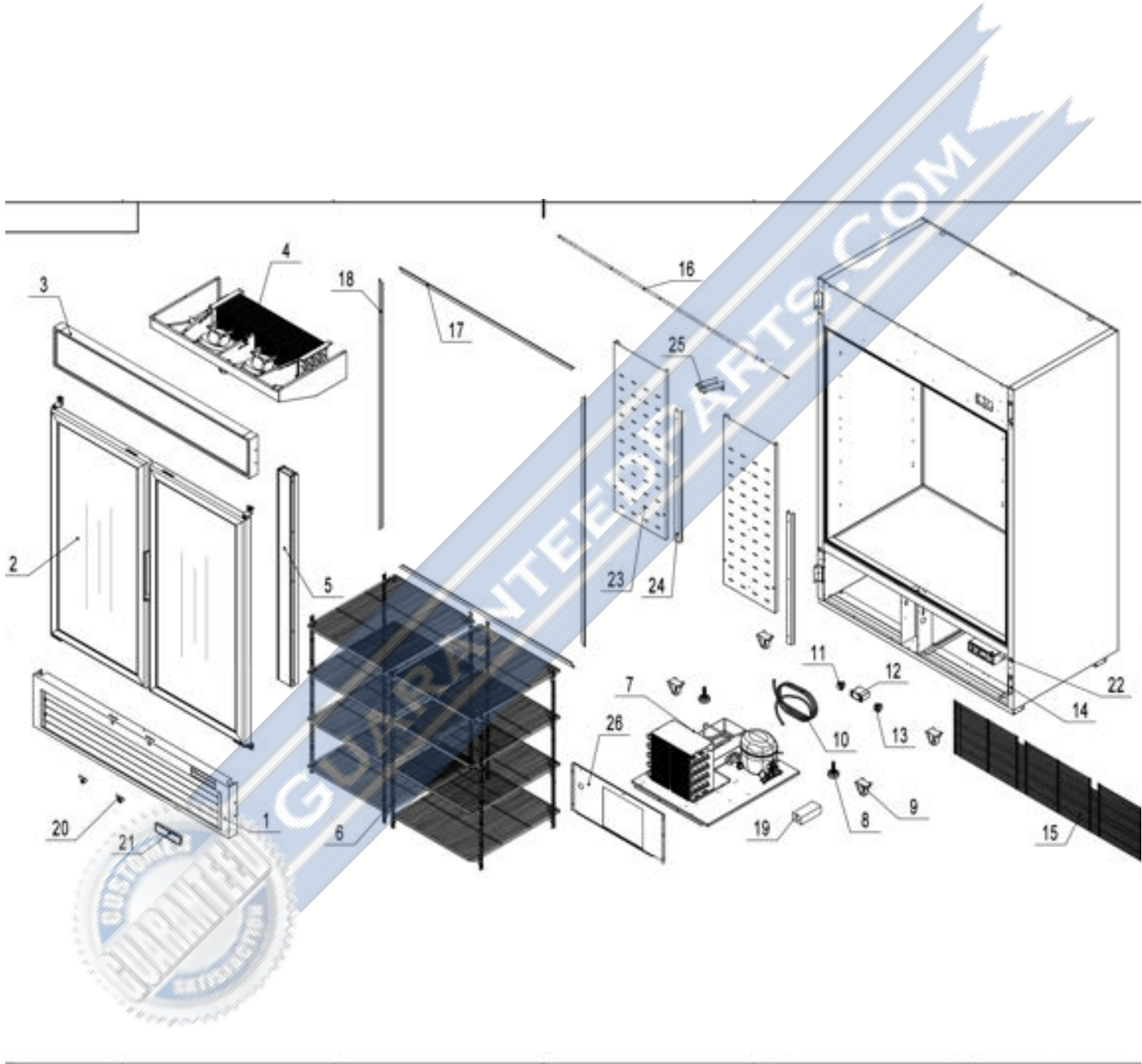


MIGALI

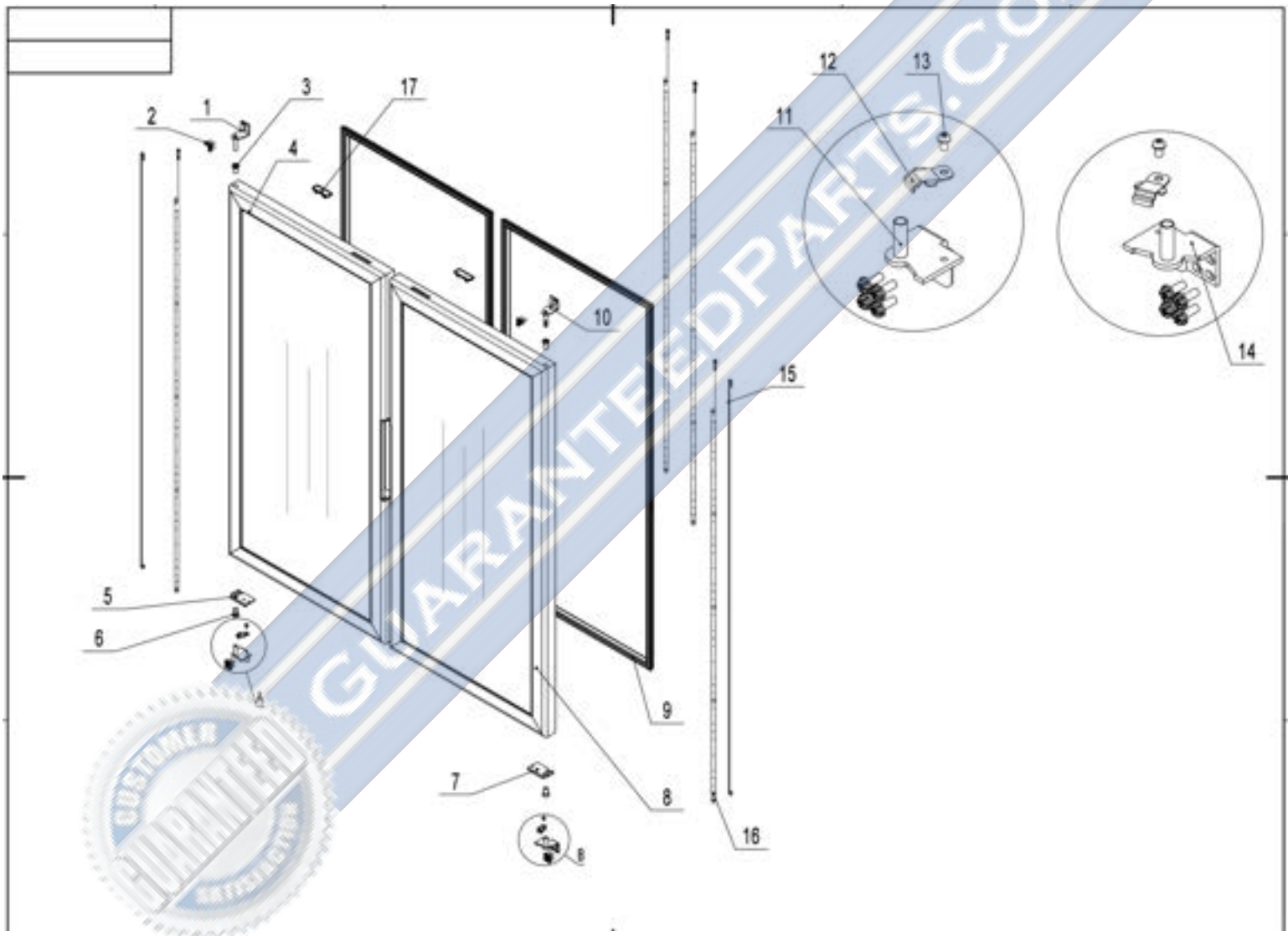
C-49RM-HC



Main Overview

Part Number	SKU	Description
1	1759-569	Bottom Panel
2	1759-1000	Leg
3	1759-1163	Caster 2" Without Brake- Plate
4	1759-305	Low Pressure Coil Back to Comp
5	1759-704	Light Switch
6	1759-1667	Digital Controller Carel Pzyds
7	1759-705	Power Switch
8	1759-534	Fastener For Bottom Panel
9	1759-731	Back Bottom Barrier
10	1759-698	LED Light
11	1759-1494	Top-Bottom Frame Cover C-49FM-HC
12	1759-1491	Left-Right Frame Cover C-49FM-HC
13	1759-1832	LED Power
14	1759-813	Locker
15	1759-2229	Controller Cover C-23RM
16	1759-2227	Controller Bracket C-10RM
17	1759-455	Back Wind Deflector
18	1759-749	A Drain Protection
19	1759-435	Back Wind Deflector Stents
20	1759-531	Wind Deflector Unit

2- Door Assembly

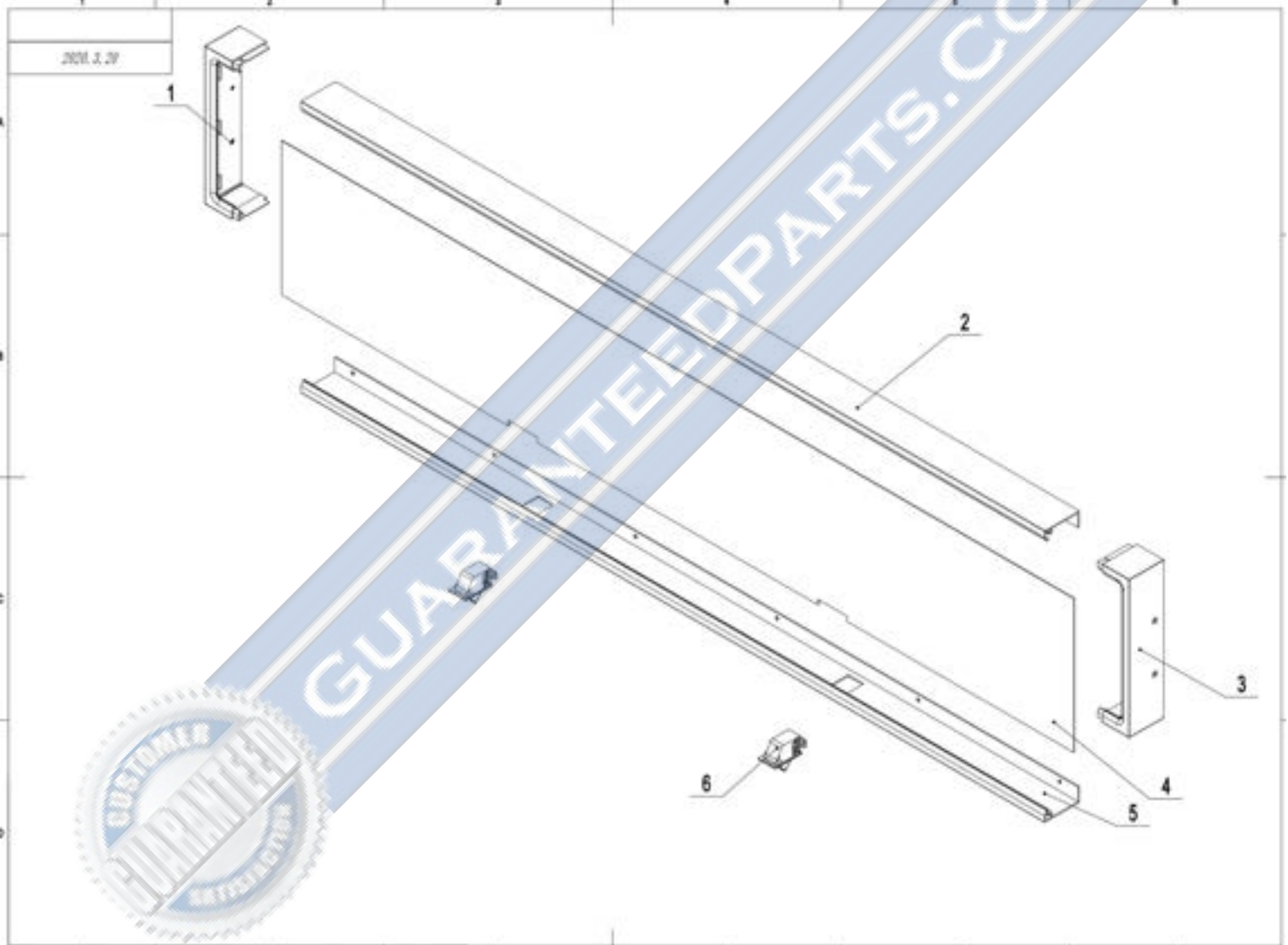


Part Number	SKU	Description
1	1759-816	Left-Top Hinge
2	1759-1166	Screw W Flat Washer & Lock Washer
3	1759-754	Door Shaft Sleeve-Top
4	1759-800	Left Glass Door
5	1759-824	Door Brake-Left
6	1759-755	Door Shaft Sleeve-Bottom
7	1759-823	Door Brake
8	1759-799	Right Glass Door
9	1759-1737	Door Gasket C-23FM/RM-HC,C-49F,C-72FM
10	1759-815	Right-Top Hinge
11	1759-818	Left-Bottom Hinge
12	1759-829	Door Brake-Bottom
13	1759-1161	SS Screw M6X8
14	1759-817	Right-Bottom Hinge
15	1759-841	Door Spring Bar
16	1759-698	LED Light



GUARANTEED PARTS.COM

3- Motor Cover Assembly

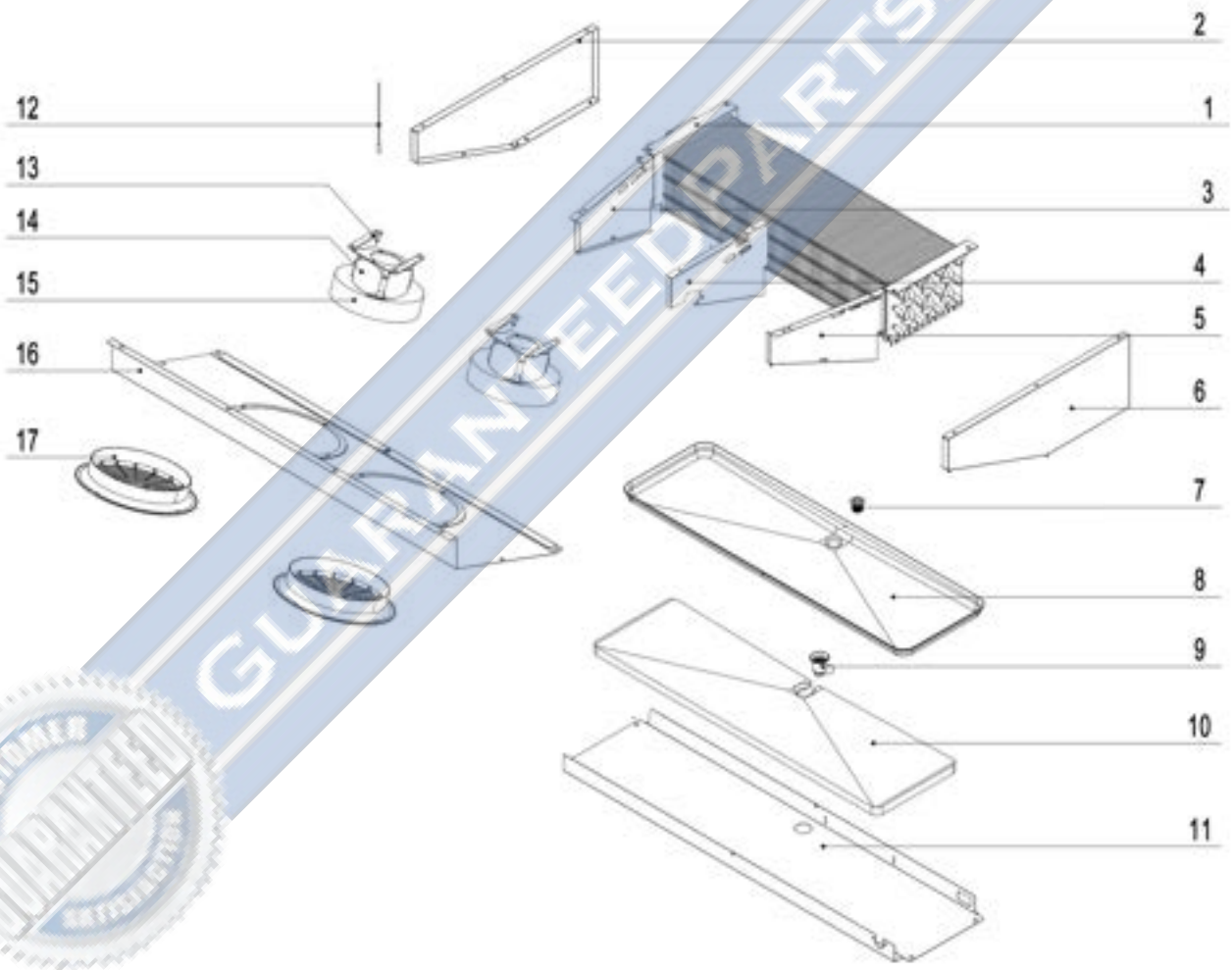


Part Number	SKU	Description
1	1759-751	Top Panel Frame-Left
2	1759-787	Top Panel Frame-Top
3	1759-750	Top Panel Frame-Right
4	1759-771	Top Panel
5	1759-1775	Top Panel Frame Of Light Box With New Cut Out
6	1759-2228	Gate Magnetic Switch C-10RM



GUARANTEEDPARTS.COM

4- Evaporator Assembly

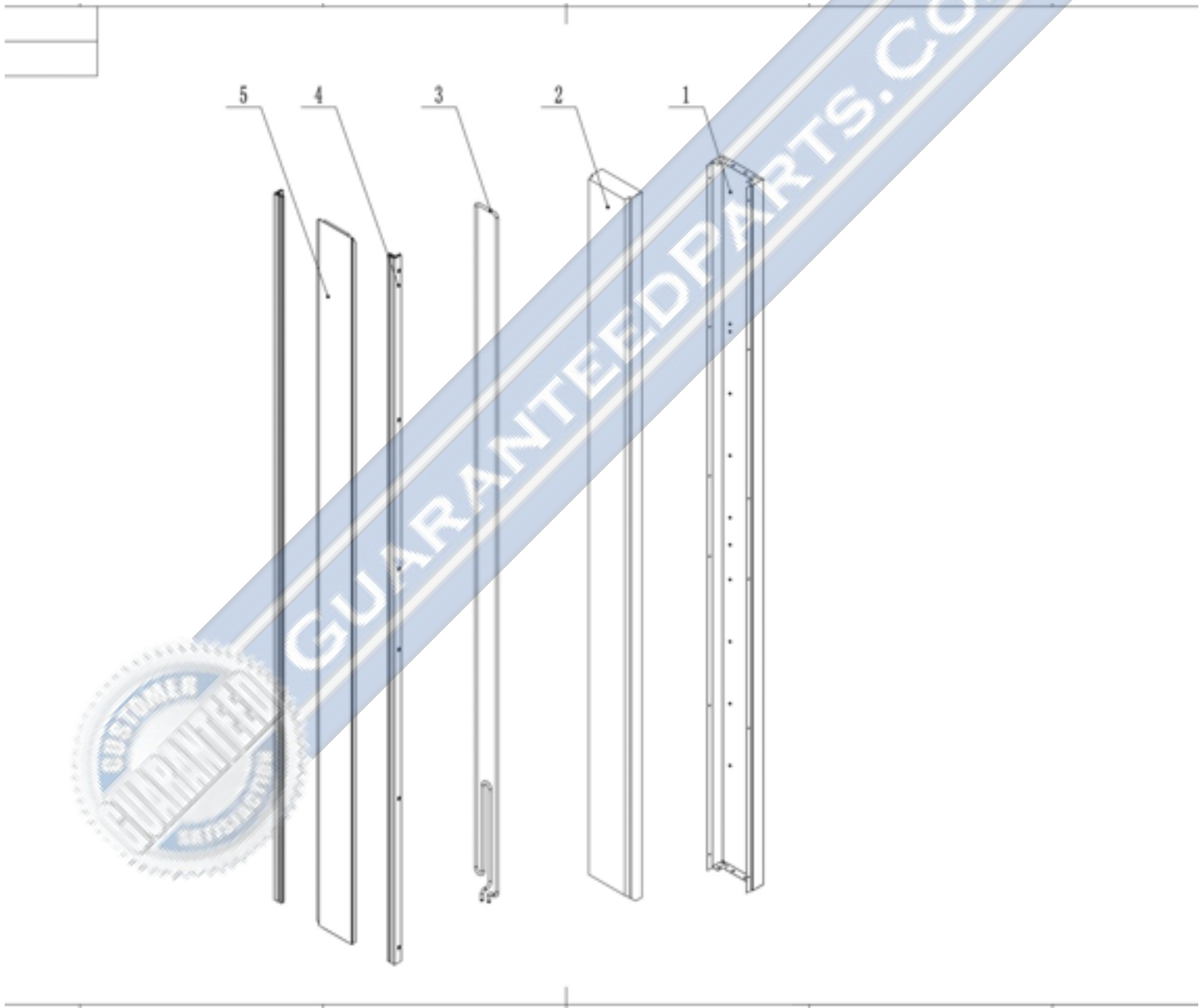


Part Number	SKU	Description
1	1759-641	Evaporator
2	1759-1849	Evap Left Cover
3	1759-12	Left Air Lane Cover
4	1759-459	Middle Air Lane Cover
5	1759-13	Right Air Lane Cover
6	1759-1850	Evap Right Cover
7	1759-758	Drain Hose Connector B
8	1759-469	Drain Pan
9	1759-757	Drain Hose Connector A
10	1759-846	Drain Pan Foam
11	1759-502	Drain Pan Cover
12	1759-697	Room Sensor Probe
13	1759-15	Evap Fan Bracket
14	1759-686	Evap Fan Motor
15	1759-681	Evap Fan Blade
16	1759-547	Evap Front Cover
17	1759-748	Evap Fan Motor Cover



GUARANTEED PARTS.COM

5-Mullion Assembly



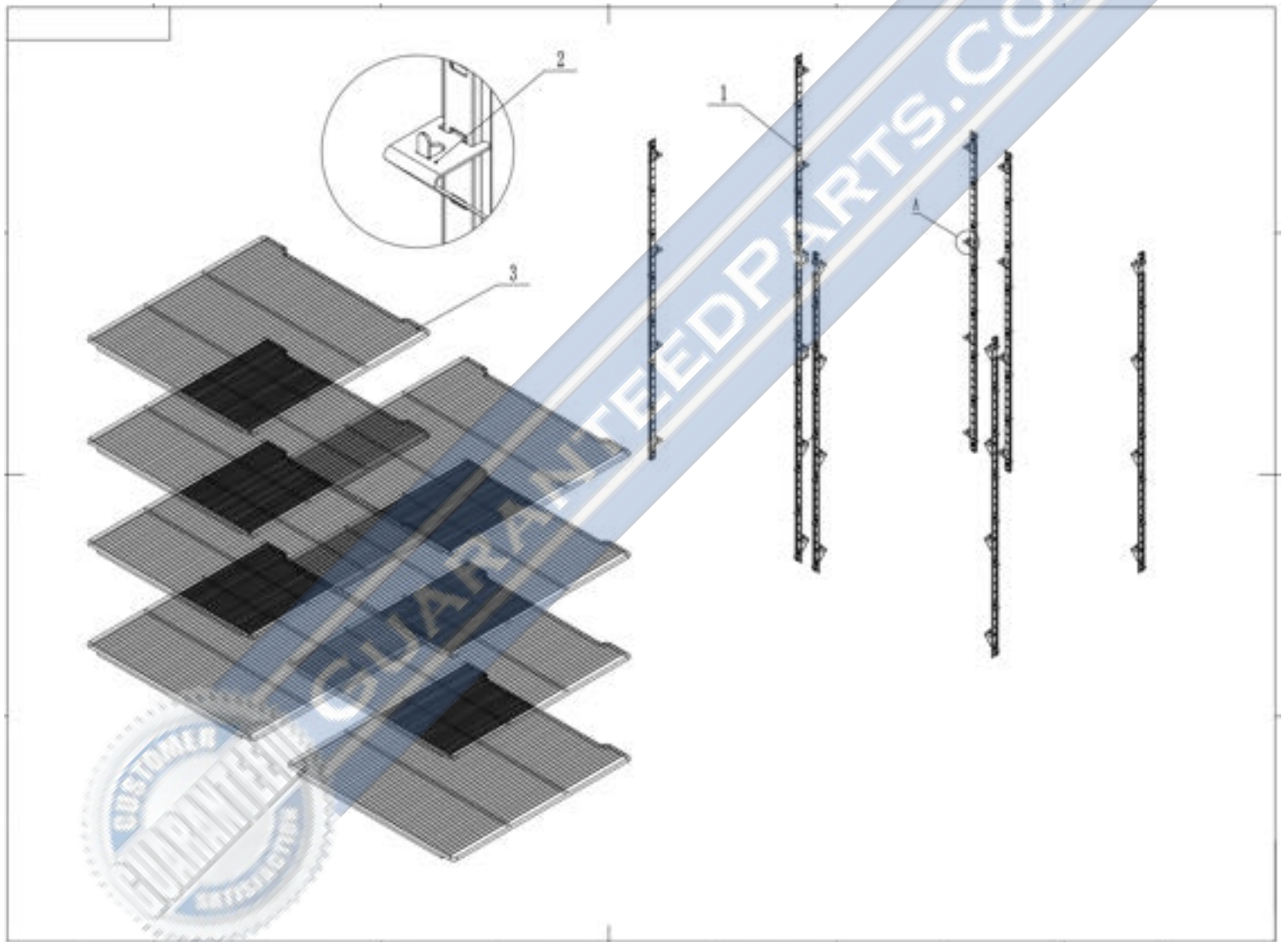
Mullion Assembly Assembly Parts

Part Number	SKU	Description
1	1759-2232	Mullion Back Cover
2	1759-805	Mullion Foam
3	1759-1681	Mullion Heater C-49RM-HC 2021
4	1759-791	Mullion Plastic Connector
5	None	Mullion Front Cover



GUARANTEEDPARTS.COM

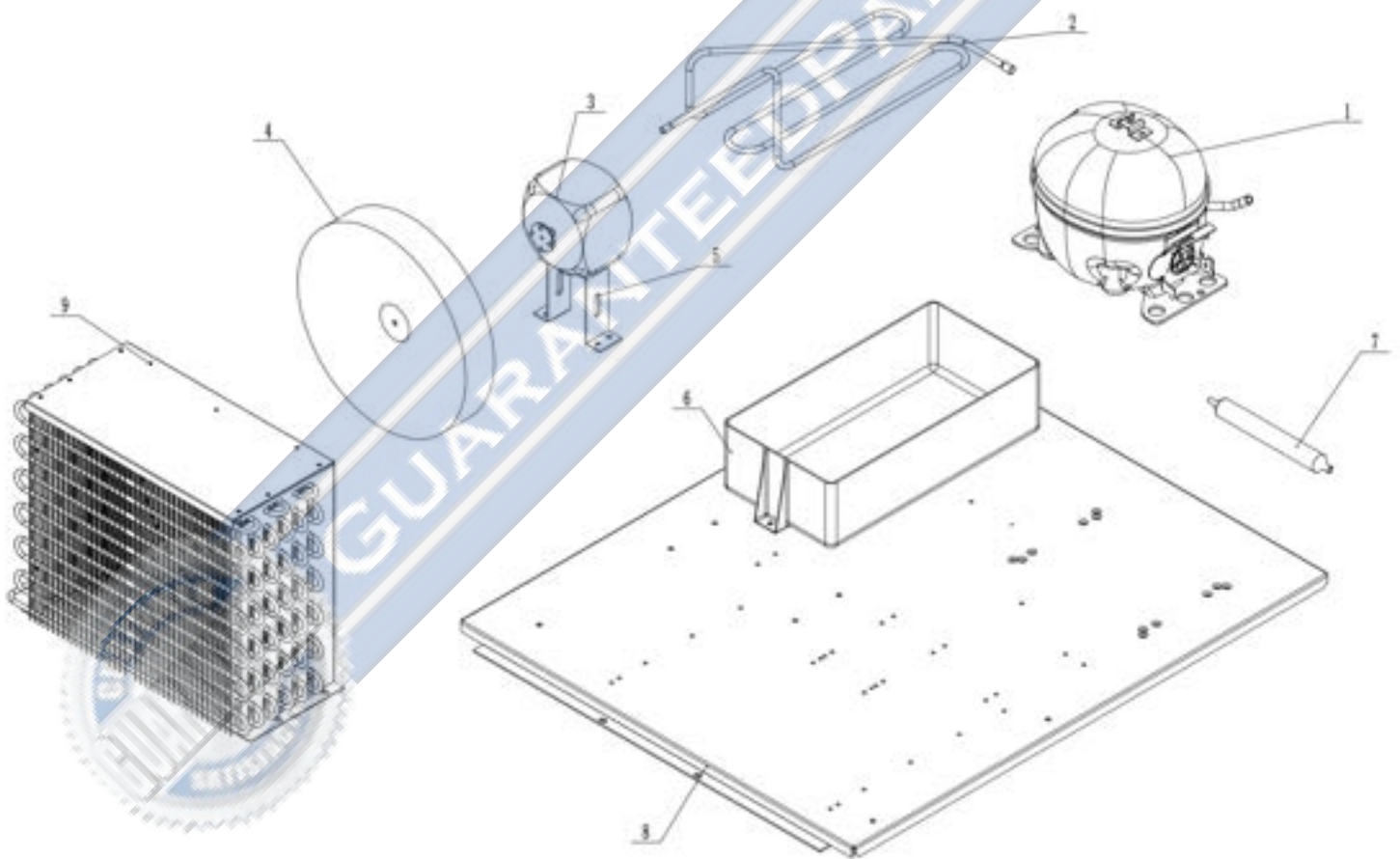
6- Shelf Assembly



Part Number	SKU	Description
1	1759-483	Pilaster For Shelf
2	1759-04	Shelf Support Clip
3	1759-721	Shelf



7- Condensing Unit Assembly



Part Number	SKU	Description
1	1759-1747	Compressor Cubigel Nut45Nr1
2	1759-671	High Pressure Coil
3	1759-687	Condenser Fan Motor
4	1759-683	Condenser Fan Blade
5	1759-497	Condenser Fan Bracket
6	1759-792	Plastic Drain Pan
7	1759-657	Dry Filter
8	1759-1950	Compressor Board
9	1759-2234	Condenser C-49RM
10	1759-672	Connecting Coil to Condenser



GUARANTEED PARTS.COM