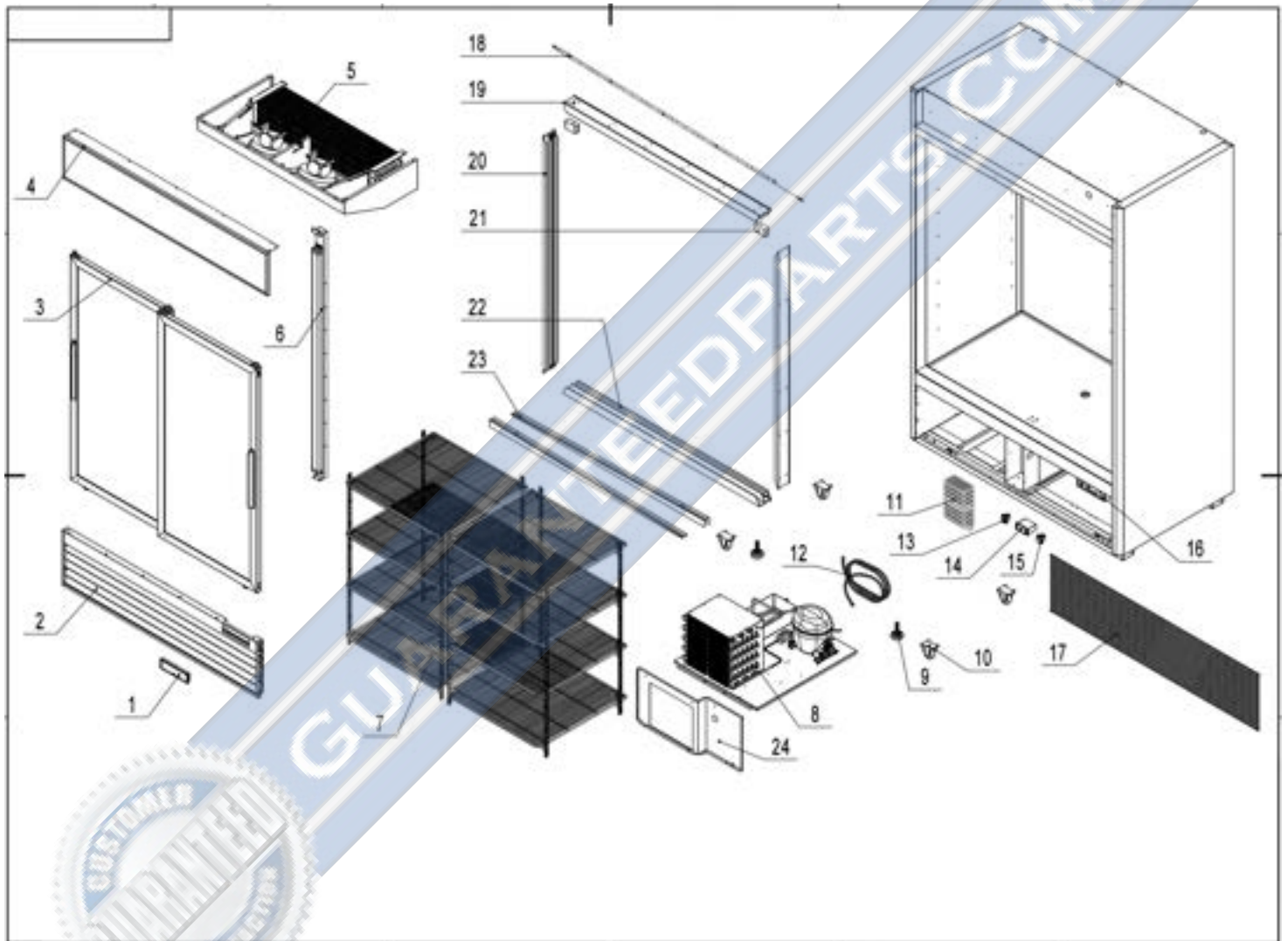


MIGALI

C-49RS-HC

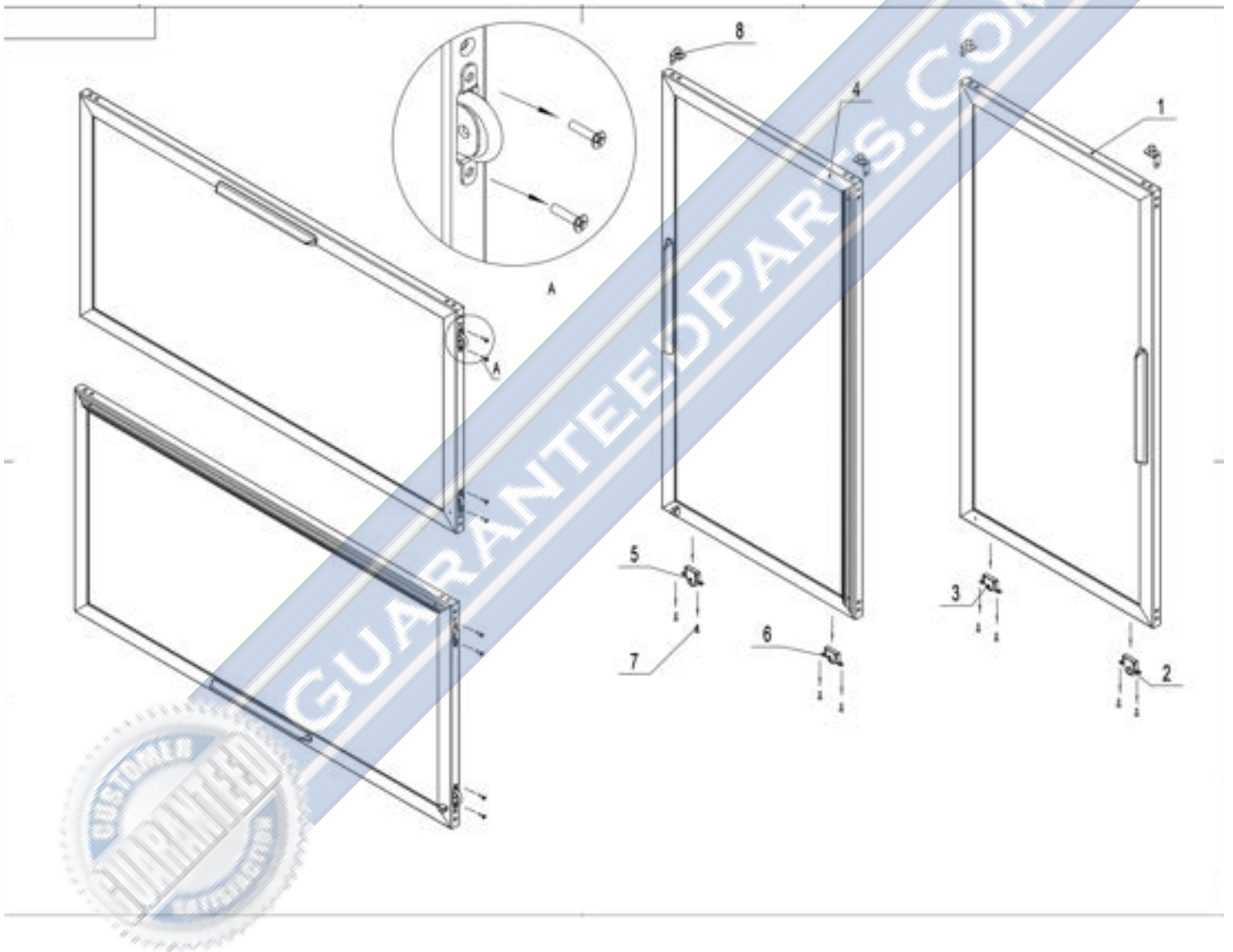


Part No.	SKU	Description
1	1759-2229	Controller Cover C-23RM
2	1759-1056	Bottom Panel Assembly
9	1759-1000	Leg
10	1759-1163	Caster 2" Without Brake- Plate
11	1759-1832	LED Power
12	1759-305	Low Pressure Coil Back to Comp
13	1759-704	Light Switch
14	1759-1667	Digital Controller Carel Pzyds
15	1759-705	Power Switch
16	1759-2227	Controller Bracket C-10RM
17	1759-731	Back Bottom Barrier
18	1759-698	LED Light
20	1759-1439	Left-Right Frame
21	1759-1302	Protector Frame
22	1759-1438	Top-Bottom Frame Cover
23	1759-994	Door Track
24	1759-2238	Wind Deflector Unit C-49RS-HC
	1759-2237	Top Frame C-49RS-HC (Not in diagram)



GUARANTEED PARTS.COM

3- Door Assembly



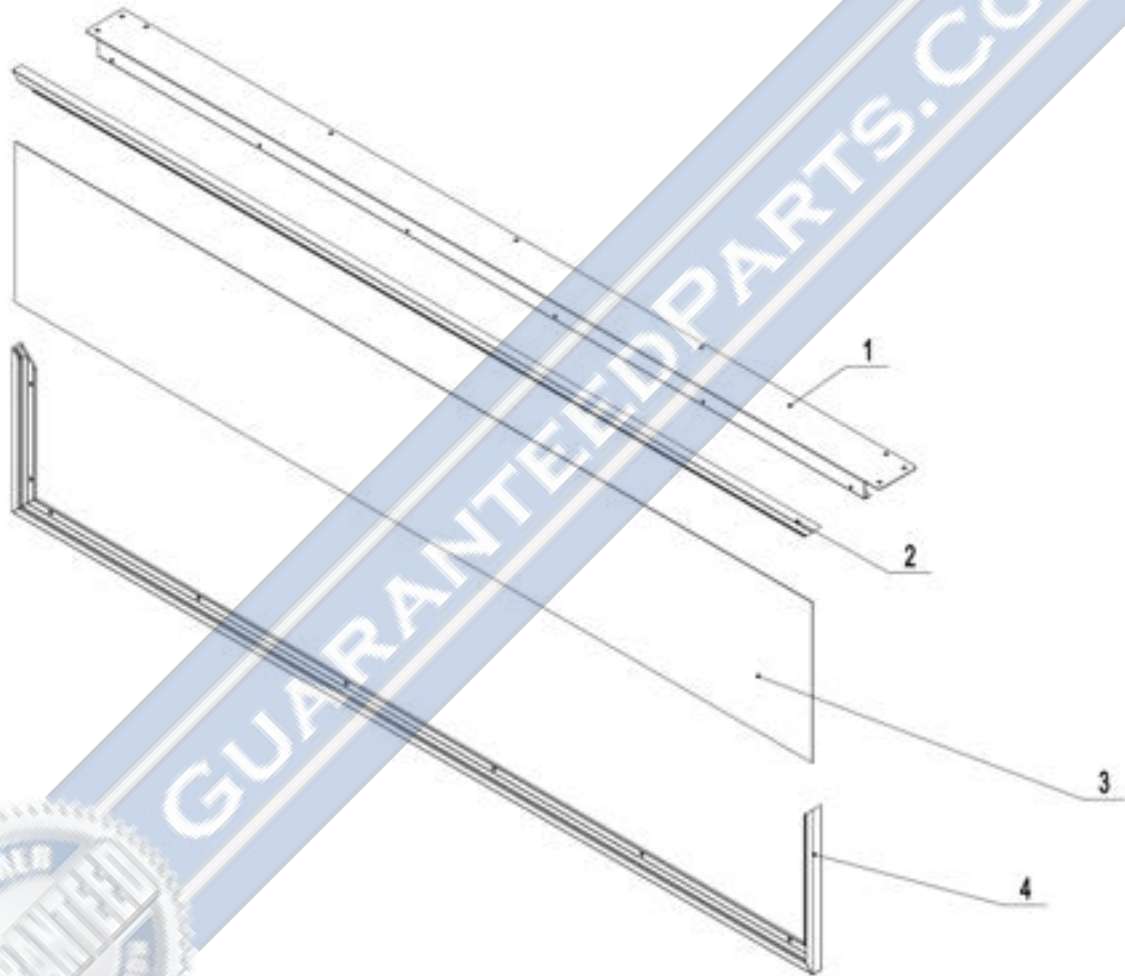
Part No.	SKU	Description
1	1759-416	Right Glass Door
2	1759-211	Bottom Wheel-Big
3	1759-212	Bottom Wheel-Small
4	1759-417	Left Glass Door
7	1759-204	SS Screw M4x16
8	1759-213	Top Wheel



GUARANTEEDPARTS.COM

4- Motor Cover Assembly

0.1.20



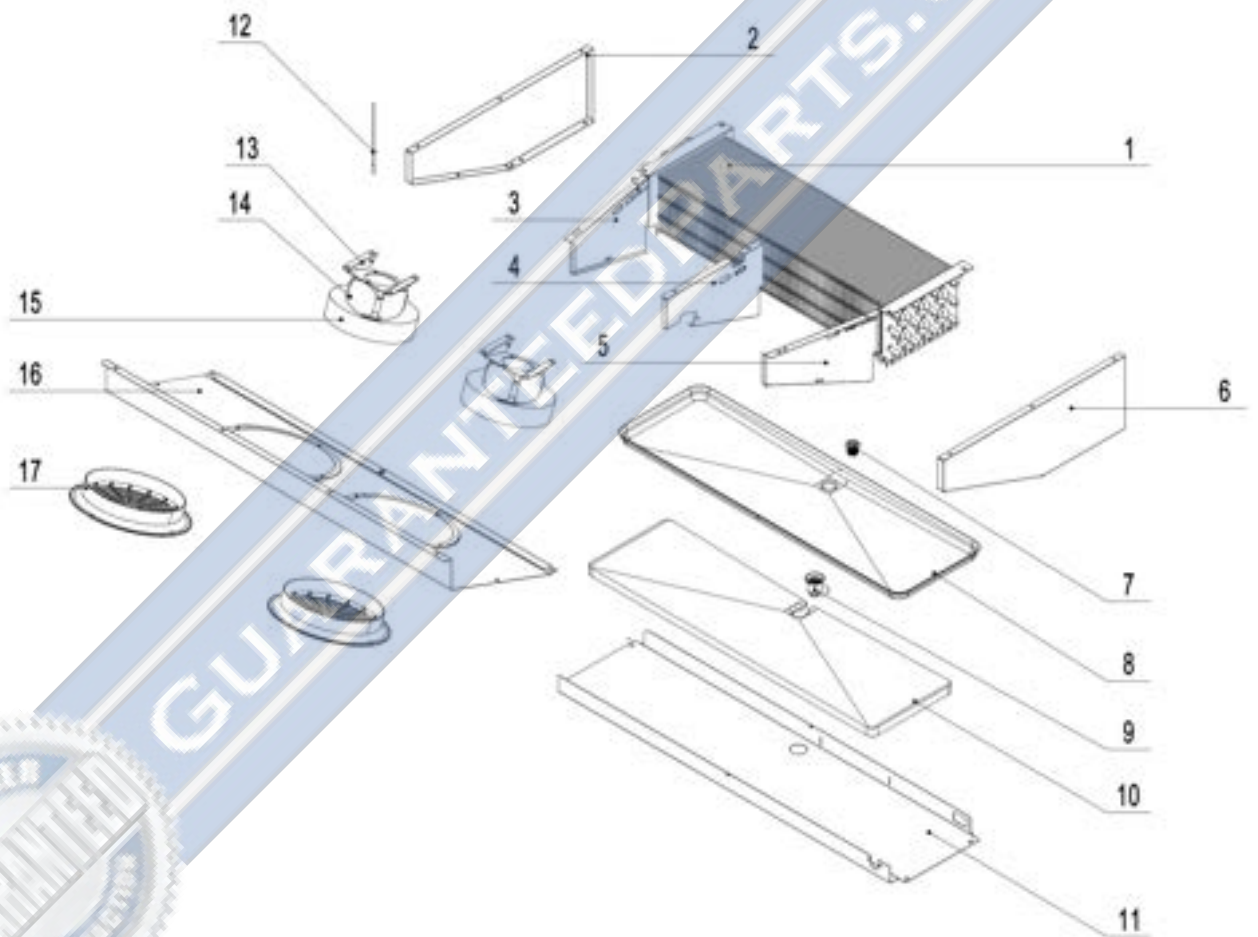
Part No.	SKU	Description
1	1759-1298	Top Fixing Rack
2	1759-1395	Top Panel Rack
3	1759-1457	Top Panel
4	1759-1299	Top Panel Frame



GUARANTEEDPARTS.COM

5- Evaporator Assembly

000.6.26



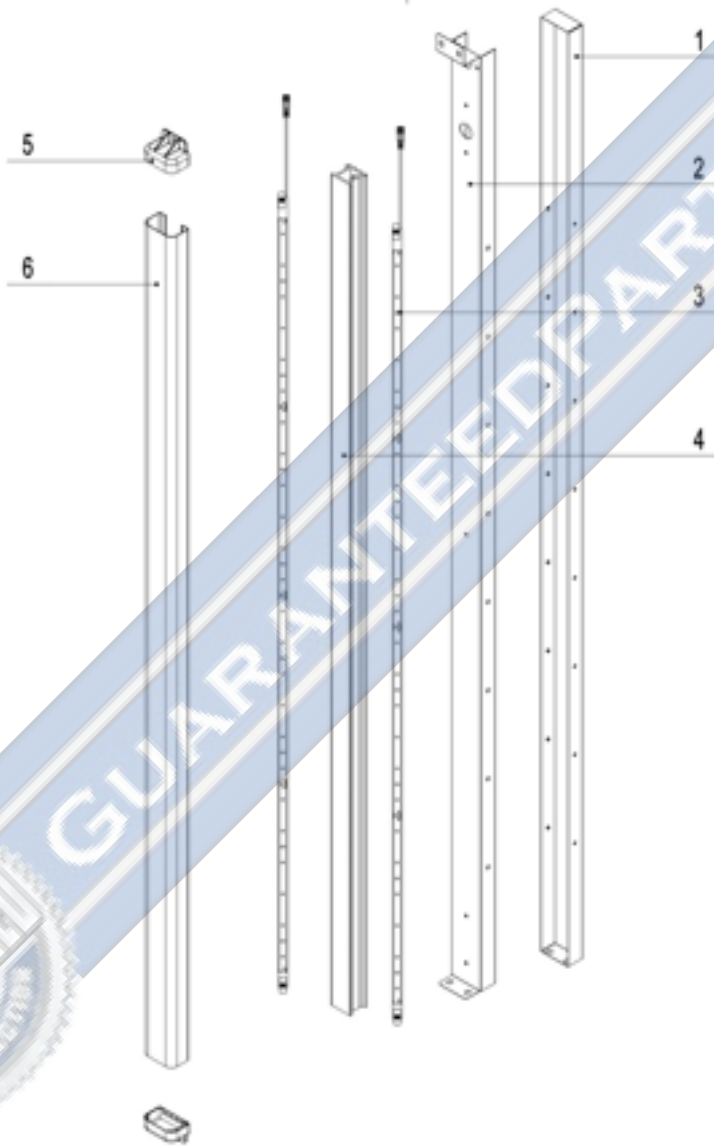
Part No.	SKU	Description
1	1759-641	Evaporator
2	1759-1849	Evap Left Cover
3	1759-12	Left Air Lane Cover
4	1759-459	Middle Air Lane Cover
5	1759-13	Right Air Lane Cover
6	1759-1850	Evap Right Cover
7	1759-758	Drain Hose Connector B
8	1759-469	Drain Pan
9	1759-757	Drain Hose Connector A
10	1759-846	Drain Pan Foam
11	1759-1911	Drain Pan Cover
12	1759-697	Room Sensor Probe
13	1759-15	Evap Fan Bracket
14	1759-686	Evap Fan Motor
15	1759-681	Evap Fan Blade
16	1759-547	Evap Front Cover
17	1759-748	Evap Fan Motor Cover



GUARANTEED PARTS.COM

6- Mullion Assembly

2020. 7. 29

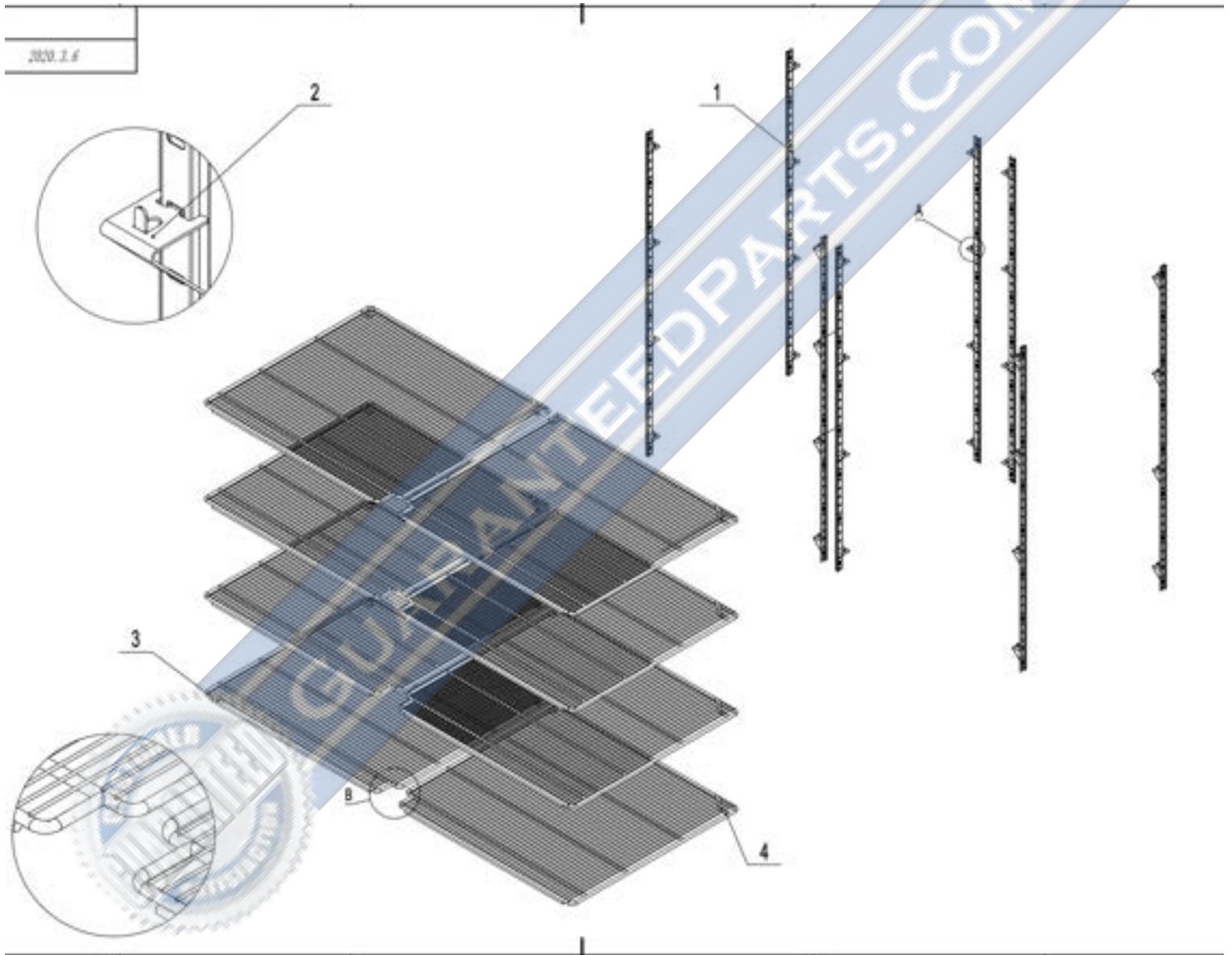


Part No.	SKU	Description
1	1759-2239	Mullion Front Cover C-49RS-HC
2	1759-2240	Mullion Back Cover C-49RS-HC
3	1759-698	LED Light
4	1759-1914	Light Frame
5	1759-1915	Light Frame Clip
6	1759-1913	Light Cover



GUARANTEEDPARTS.COM

7- Shelf Assembly



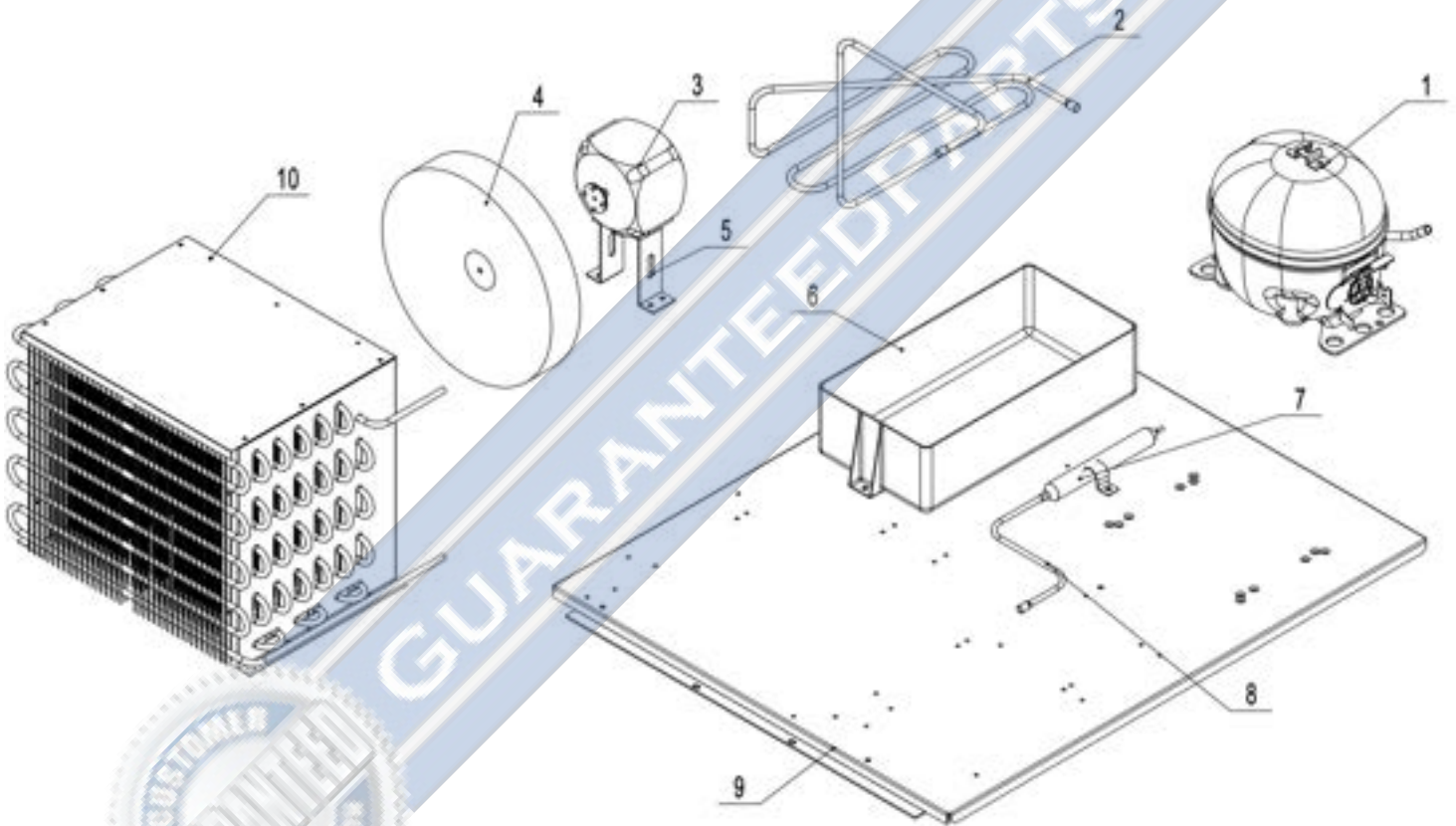
Part No.	SKU	Description
1	1759-483	Pilaster For Shelf
2	1759-04	Shelf Support Clip
3	1759-1007	Shelf-Left
4	1759-1006	Shelf-Right



GUARANTEEDPARTS.COM

8- Condensing Unit Assembly

2020.6.29



Part No.	SKU	Description
1	1759-1748	Compressor R290/115V
2	1759-1912	High Pressure Coil
3	1759-687	Condenser Fan Motor
4	1759-683	Condenser Fan Blade
5	1759-497	Condenser Fan Bracket
6	1759-792	Plastic Drain Pan
7	1759-2241	Dry Filter C-49RS-HC
8	1759-2242	Connecting Coil To Condenser
9	1759-1908	Compressor Board
10	1759-1244	Condenser



GUARANTEEDPARTS.COM