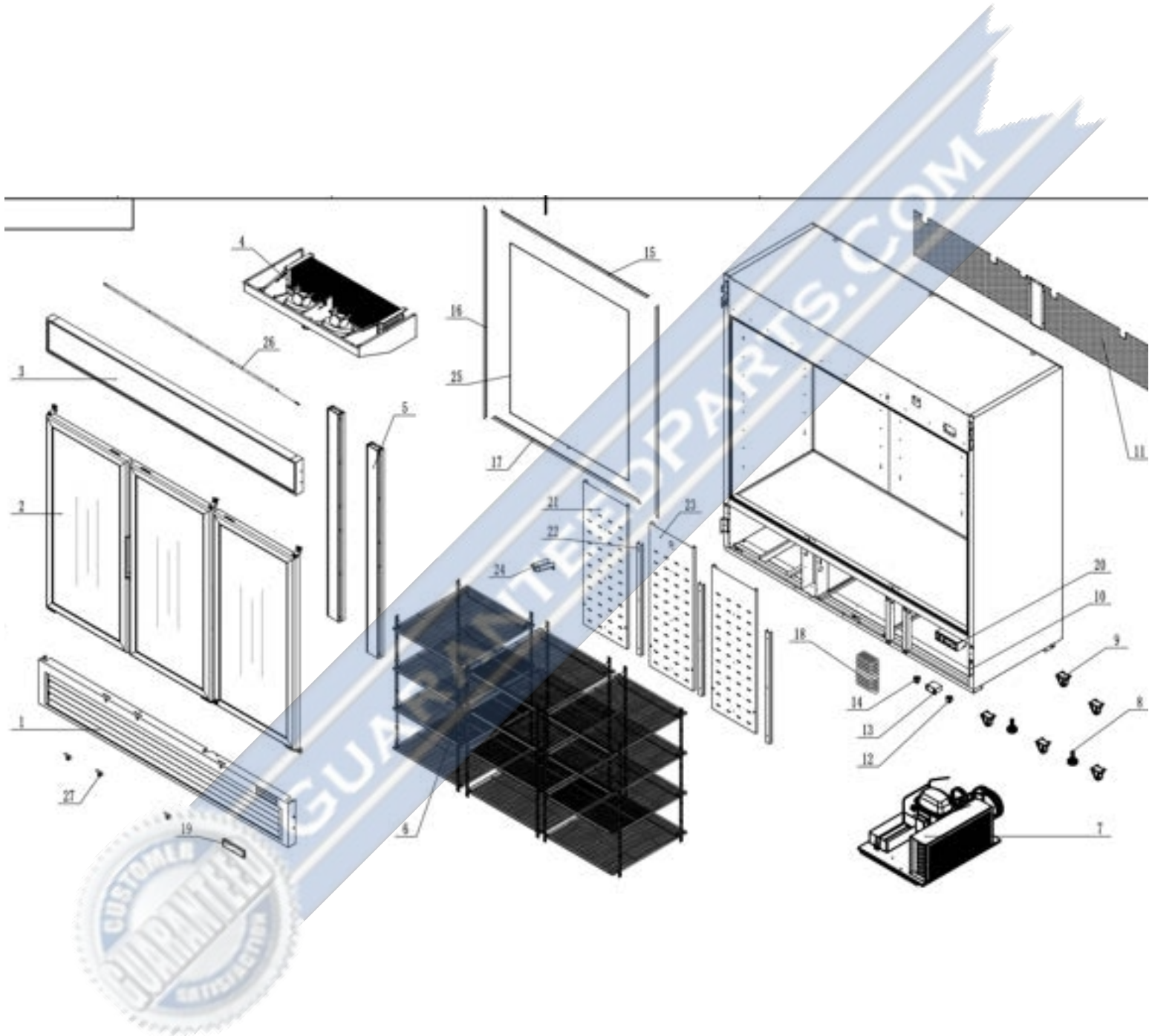


# MIGALI

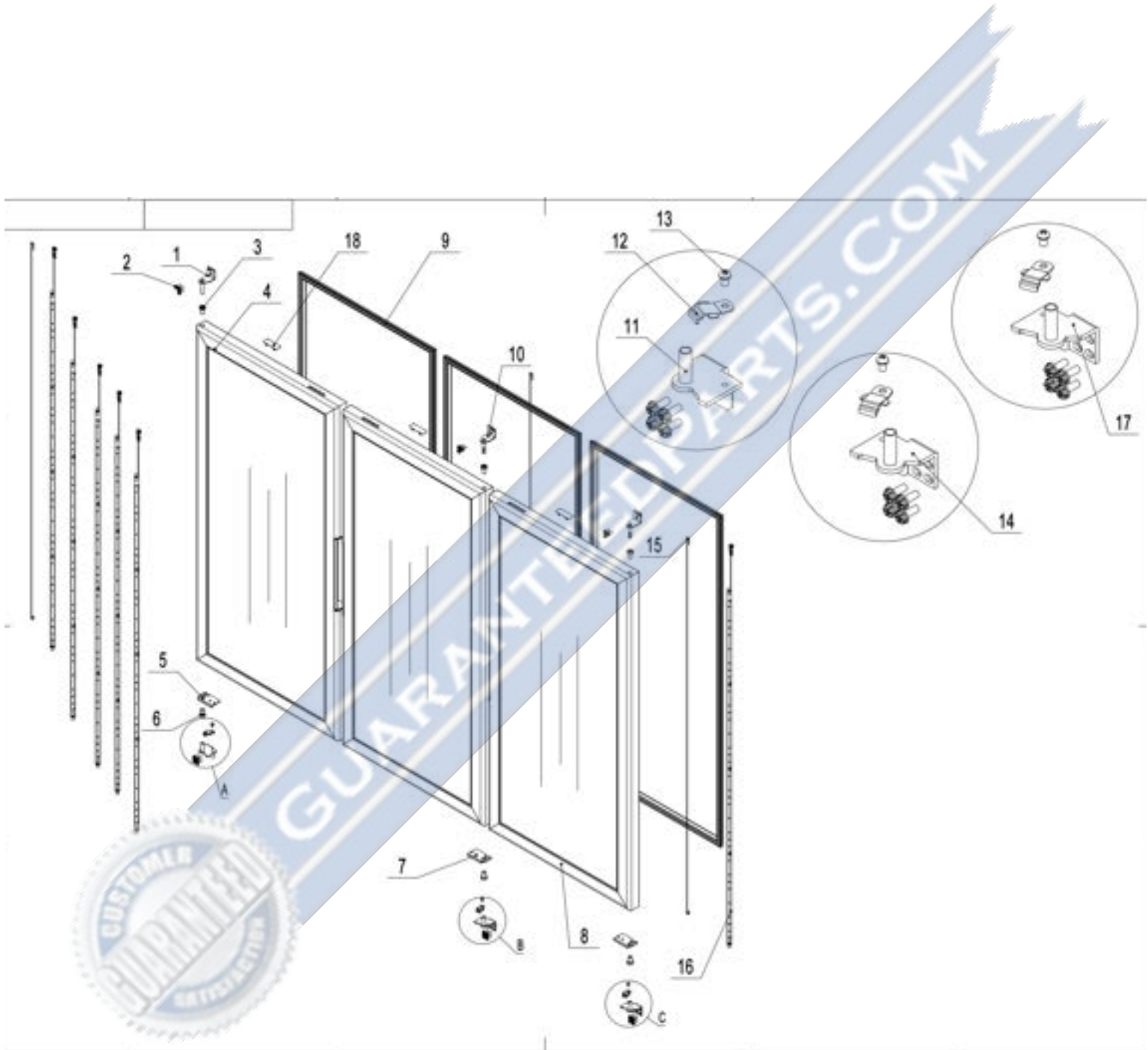
## C-72FM-HC



## Main Overview

Part No.	SKU	Description
1	1759-574	Bottom Panel Assembly
8	1759-1000	Leg
9	1759-1163	Caster 2" Without Brake- Plate
10	1759-534	Fastener For Bottom Panel
11	1759-1151	Rear Protect Barrier
12	1759-705	Power Switch
13	1759-1666	Digital Controller-Frz R290 Carel
14	1759-704	Light Switch
15	1759-1885	Top Frame Cover
16	1759-774	Left-Right Frame Cover
17	1759-1469	Bottom Frame Cover
18	1759-39	Power Supply
19	1759-2229	Controller Cover C-23RM
20	1759-2227	Controller Bracket C-10RM
21	1759-455	Back Wind Deflector
22	1759-435	Back Wind Deflector Stents
23	1759-436	Back Wind Deflector
24	1759-749	A Drain Protection
25	1759-1882	Door Frame Wiring Heater
26	1759-906	Led Light For Sign 81 1/2" Lo
27	1759-813	Locker

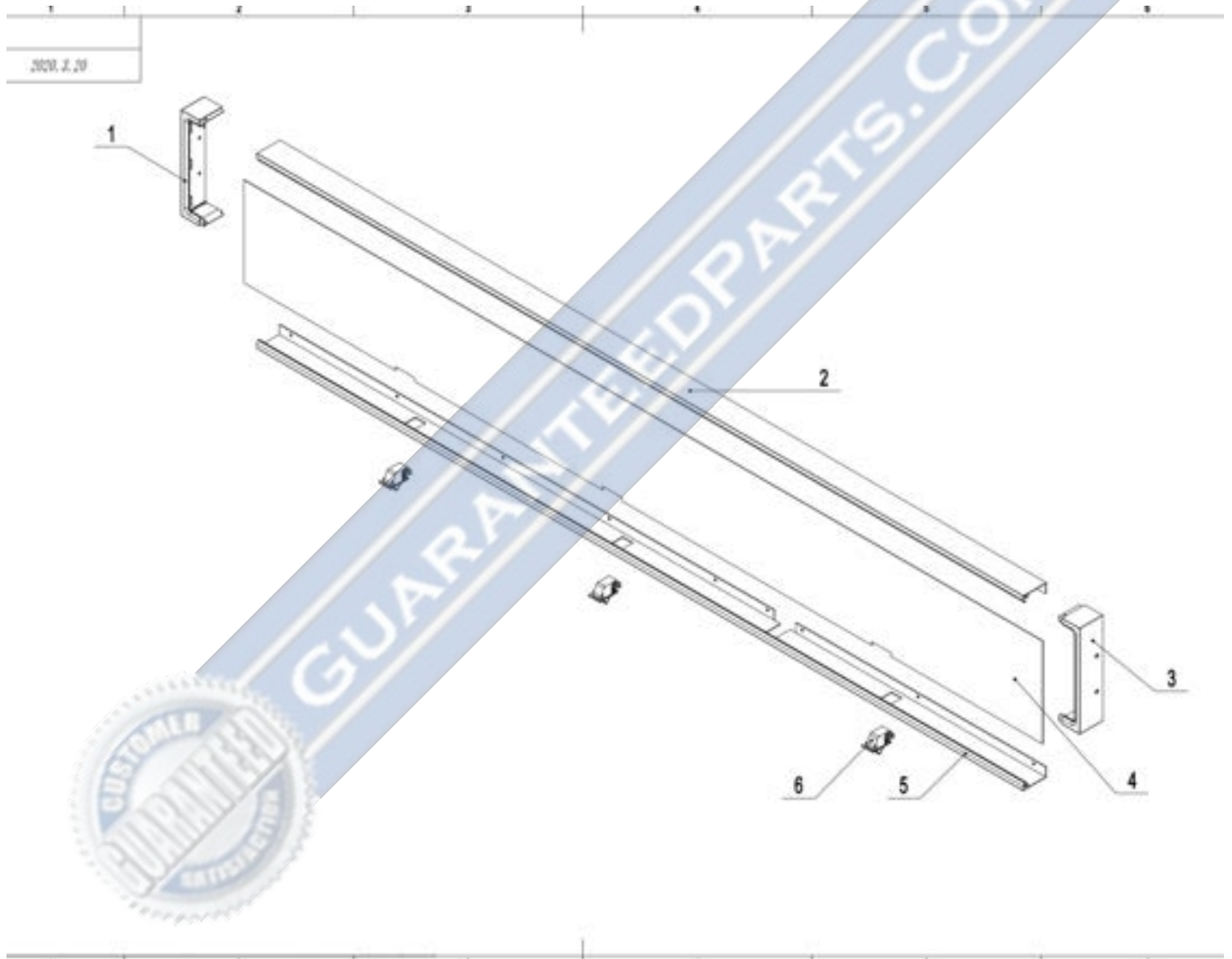
# 2- Door Assembly



## Door Assembly Assembly

Part No.	SKU	Description
1	1759-816	Left-Top Hinge
2	1759-1166	Screw W Flat Washer & Lock Washer
3	1759-754	Door Shaft Sleeve-Top
4	1759-1005	Left Glass Door
5	1759-824	Door Brake-Left
6	1759-755	Door Shaft Sleeve-Bottom
7	1759-823	Door Brake
8	1759-870	Right Glass Door
9	1759-1737	Door Gasket C-23FM/RM-HC,C-49F,C-72FM
10	1759-815	Right-Top Hinge
11	1759-818	Left-Bottom Hinge
12	1759-829	Door Brake-Bottom
13	1759-1161	SS Screw M6X8
14	1759-872	Middle-Bottom Hinge
15	1759-841	Door Spring Bar
16	1759-698	LED Light
17	1759-817	Right-Bottom Hinge
18	1759-1679	Showcase Magnetic Steel

# 3- Motor Cover Assembly

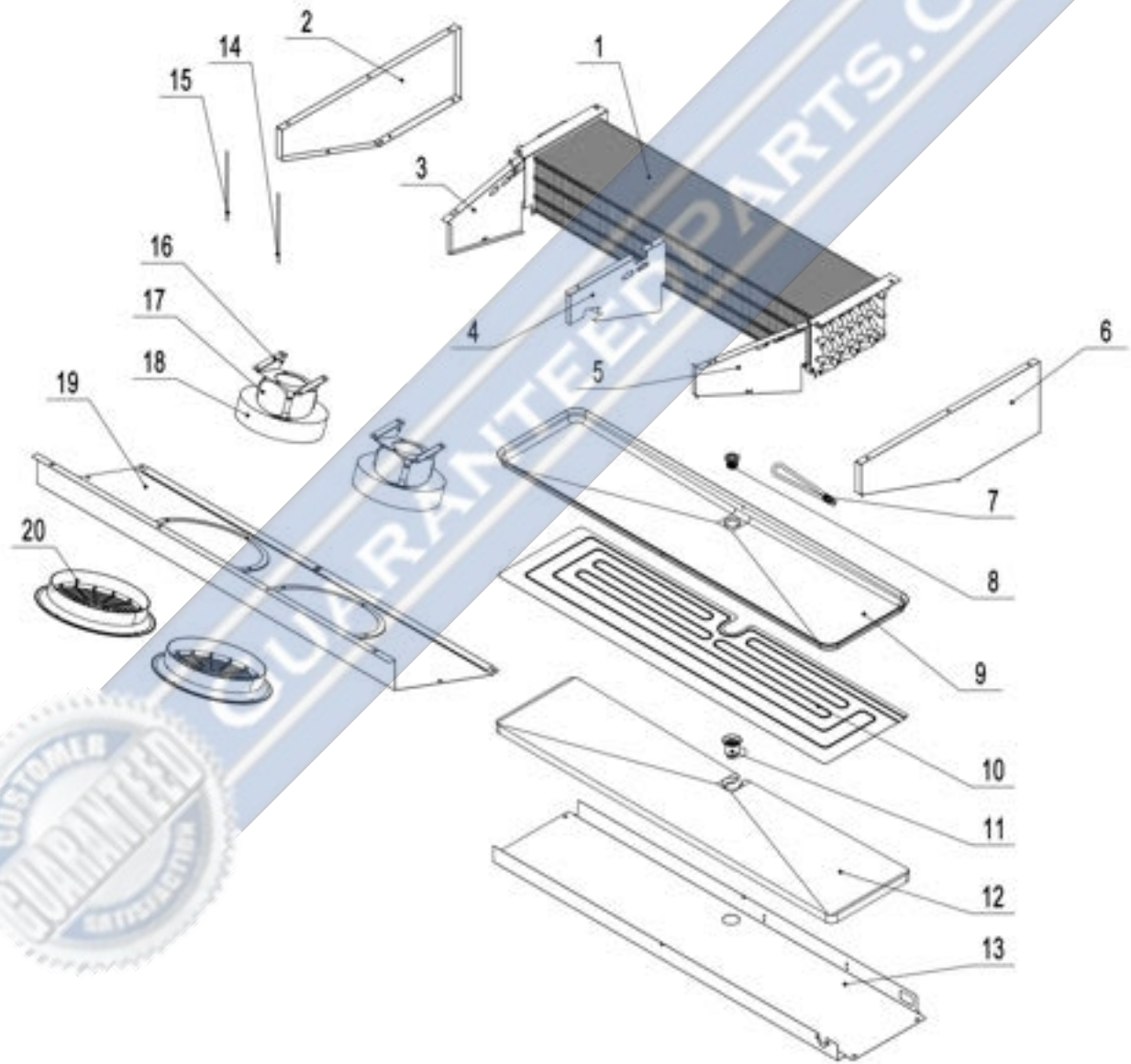


Part No.	SKU	Description
1	1759-751	Top Panel Frame-Left
2	1759-875	Top Mullion
3	1759-750	Top Panel Frame-Right
4	1759-1020	Light Box Plate
5	1759-2243	Top Panel Frame-Bottom
6	1759-2228	Gate Magnetic Switch C-10RM



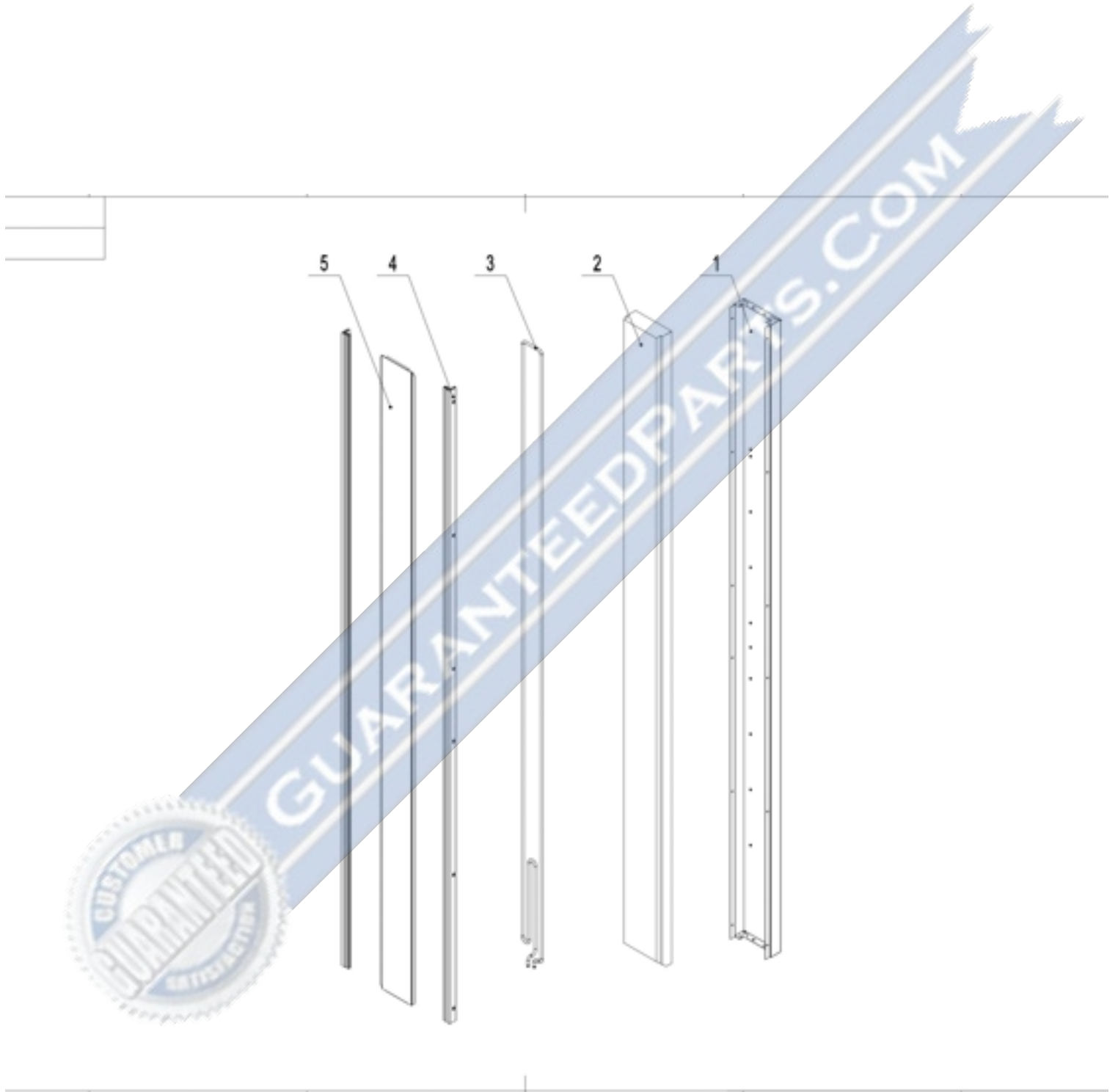
GUARANTEEDPARTS.COM

# 4- Evaporator Assembly



Part No.	SKU	Description
1	1759-1555	Evaperator C-3F-HC
2	1759-1849	Evap Left Cover
3	1759-12	Left Air Lane Cover
4	1759-459	Middle Air Lane Cover
5	1759-13	Right Air Lane Cover
6	1759-1850	Evap Right Cover
7	1759-706	Drain Hose Heater
8	1759-758	Drain Hose Connector B
9	1759-482	Drain Pan R90 C-3R-HC, C-3Rg-
10	1759-859	Drain Pan Wiring Heater
11	1759-757	Drain Hose Connector A
12	1759-847	Drain Pan Foam
13	1759-1883	Drain Pan Cover
14	1759-697	Room Sensor Probe
15	1759-910	Defrost Sensor Probe
16	1759-15	Evap Fan Bracket
17	1759-686	Evap Fan Motor
18	1759-681	Evap Fan Blade
19	1759-1884	Evap Front Cover
20	1759-748	Evap Fan Motor Cover

# 5- Mullion Assembly

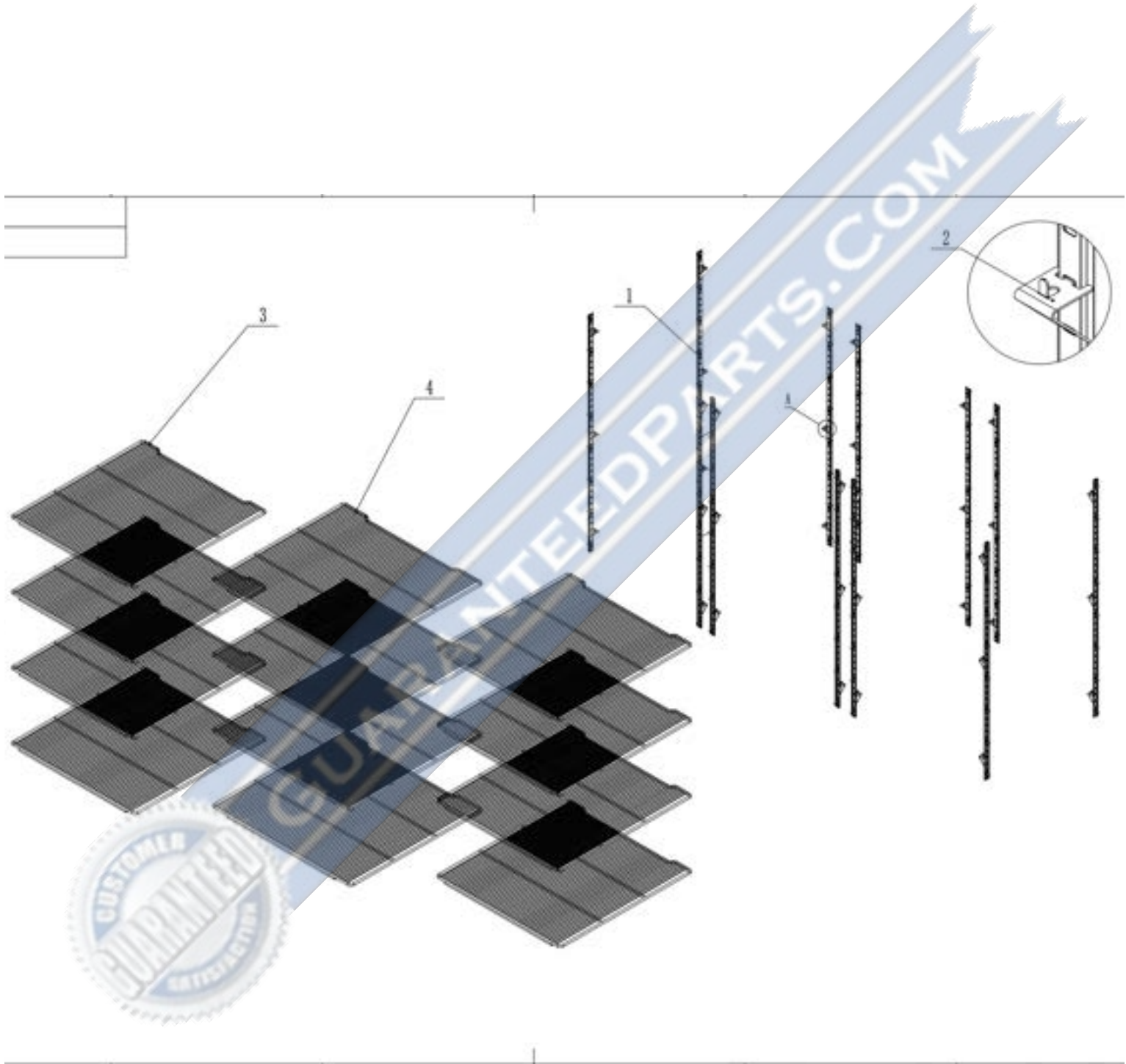


Part No.	SKU	Description
1	1759-2232	Mullion Back Cover
2	1759-805	Mullion Foam
3	1759-1090	Mullion Heater
4	1759-791	Mullion Plastic Connector
5	1759-533	Mullion Front Cover



GUARANTEEDPARTS.COM

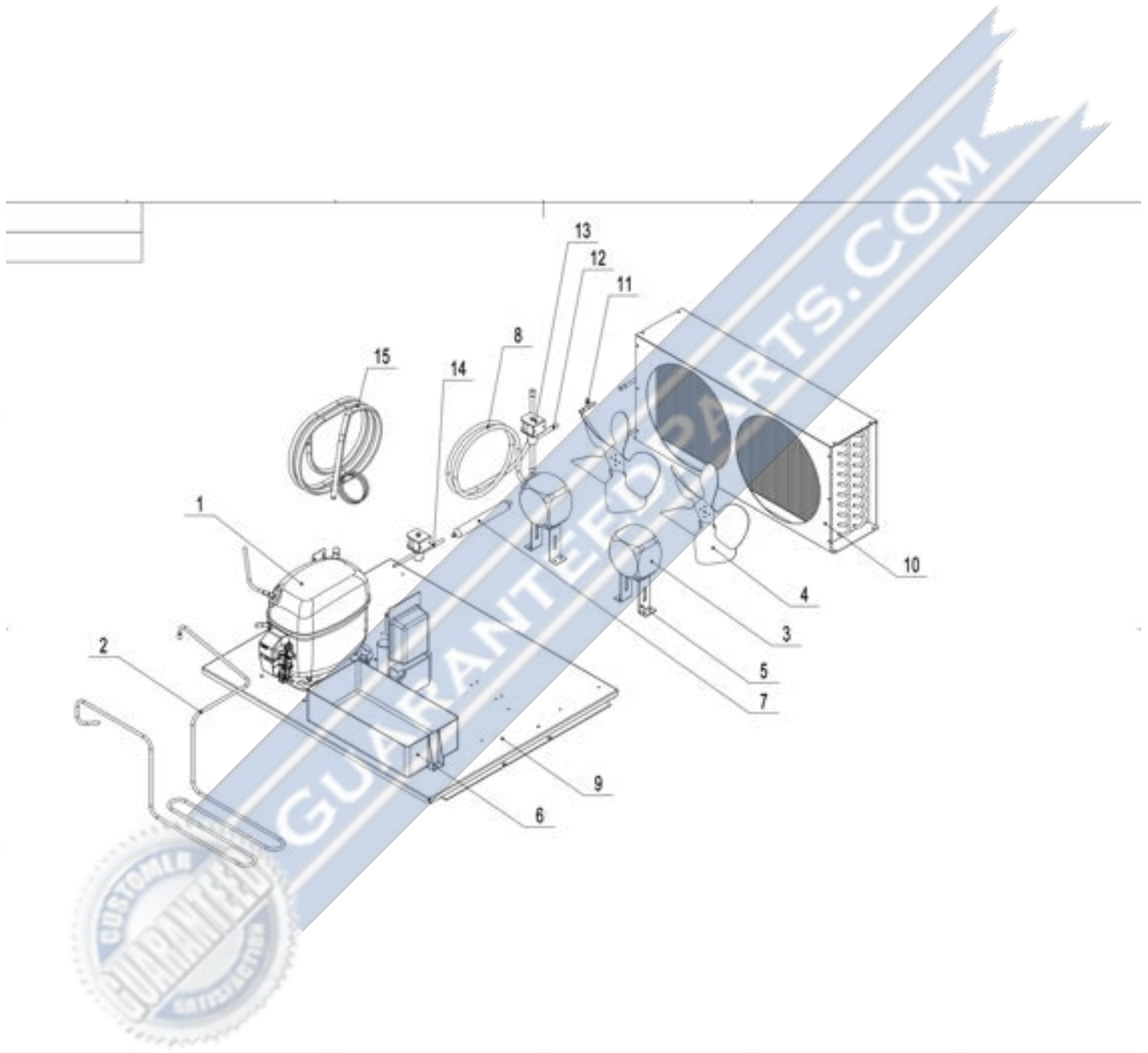
# 6- Shelf Assembly



Part No.	SKU	Description
1	1759-483	Pilaster For Shelf
2	1759-04	Shelf Support Clip
3	1759-721	Shelf
4	1759-385	Shelf (Mid)



# 7- Condensing Unit Assembly



Part No.	SKU	Description
1	1759-1402	Compressor R290 Sce21Cnlx C-7
2	1759-1701	Coil Pipe Raditor C-72FM-HC
3	1759-1084	Condenser Motor
4	1759-683	Condenser Fan Blade
5	1759-497	Condenser Fan Bracket
6	1759-792	Plastic Drain Pan
7	1759-657	Dry Filter
8	1759-2244	Connecting Coil From Solenoid
9	1759-2245	Compressor Board C-72FM-HC
10	1759-1515	Condenser Coil C-3FB-HC
11	1759-989	"T" Three Way Connecting Pipe
11	1759-884	Condenser Dust Cover
12	1759-941	Solenoid Valve Body
13	1759-940	Solenoid Valve Winding
14	1759-1242	Solenoid Valve Body (Normally Open)
15	1759-2284	Low Pressure Coil Back To Compressor



GUARANTEED PARTS.COM