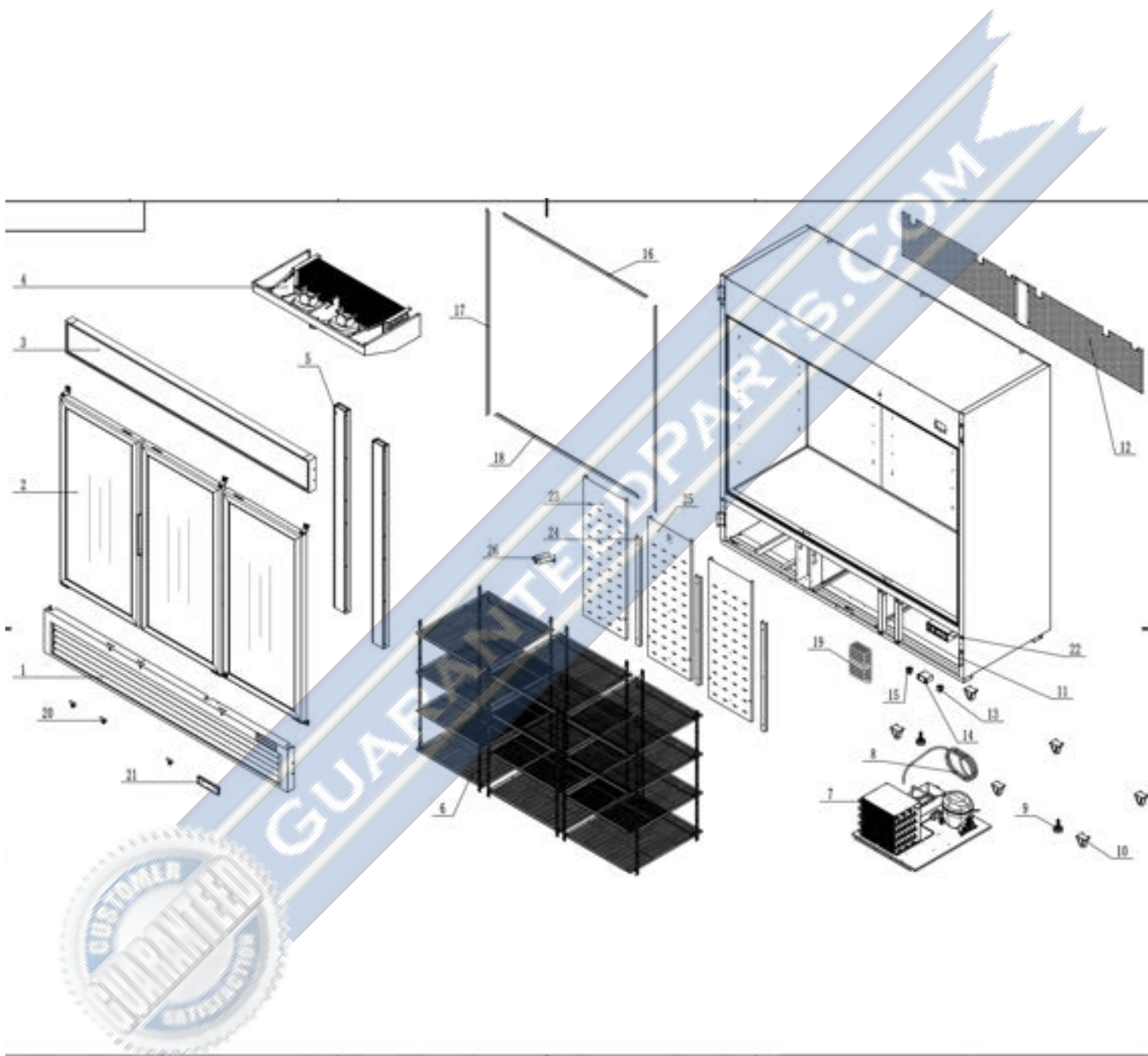


# MIGALI

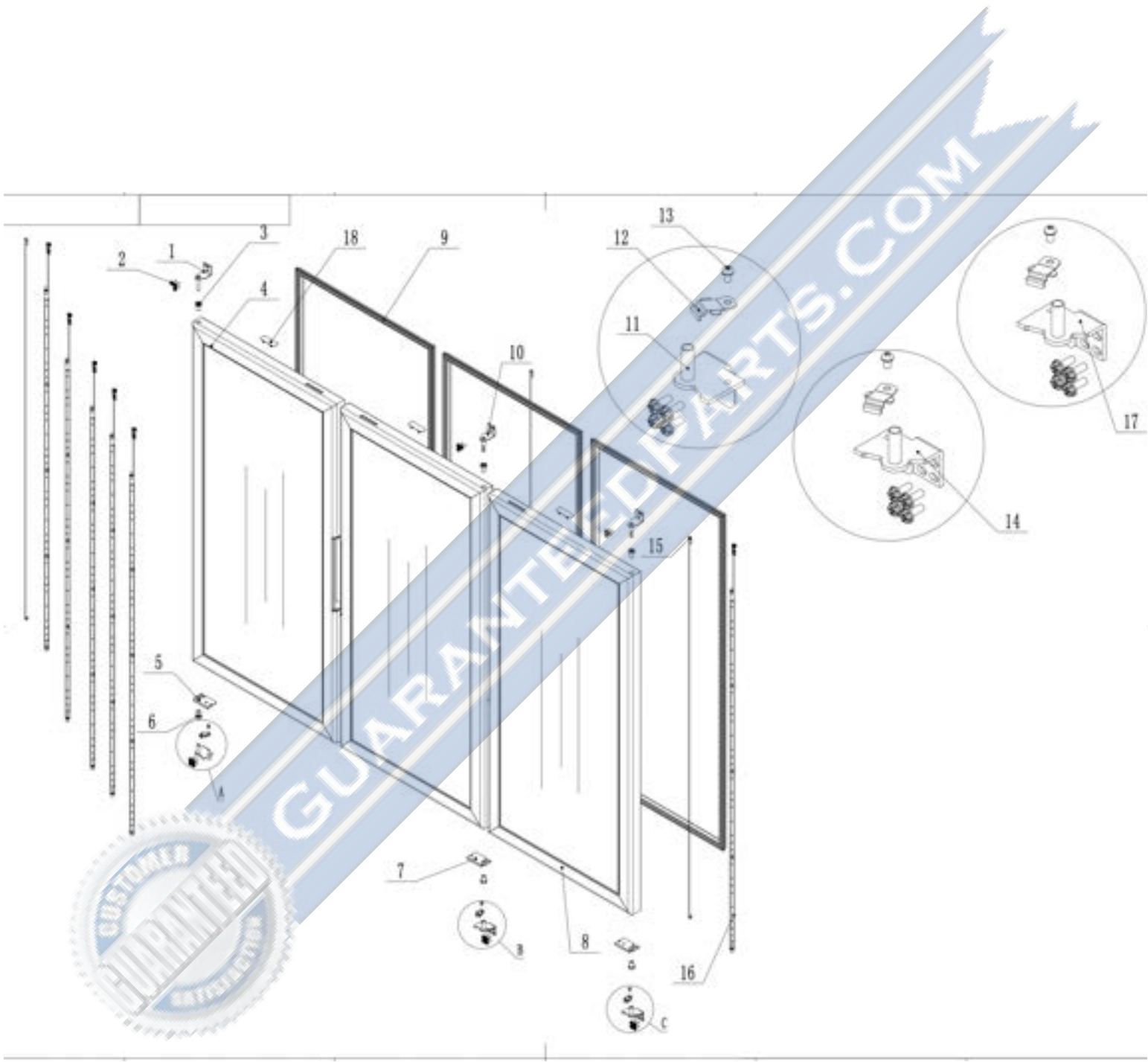
## C-72RM-HC



## Main Overview

Part No.	SKU	Description
1	1759-574	Bottom Panel Assembly
8	1759-343	Low Pressure Coil Back to Comp
9	1759-1000	Leg
10	1759-1163	Caster 2" Without Brake- Plate
11	1759-534	Fastener For Bottom Panel
12	1759-1151	Rear Protect Barrier
13	1759-1667	Digital Controller Carel Pzyds
14	1759-704	Light Switch
15	1759-1885	Top Frame Cover
16	1759-774	Left-Right Frame Cover
17	1759-1469	Bottom Frame Cover
18	1759-713	Power Supply
19	1759-813	Locker
20	1759-2229	Controller Cover C-23RM
21	1759-2227	Controller Bracket C-10RM
23	1759-455	Back Wind Deflector
24	1759-435	Back Wind Deflector Stents
25	1759-436	Back Wind Deflector
26	1759-749	A Drain Protection
xxx	1759-568	Fastener For Top Panel
Not Shown	1759-705	Power Switch

# 2- Door Assembly

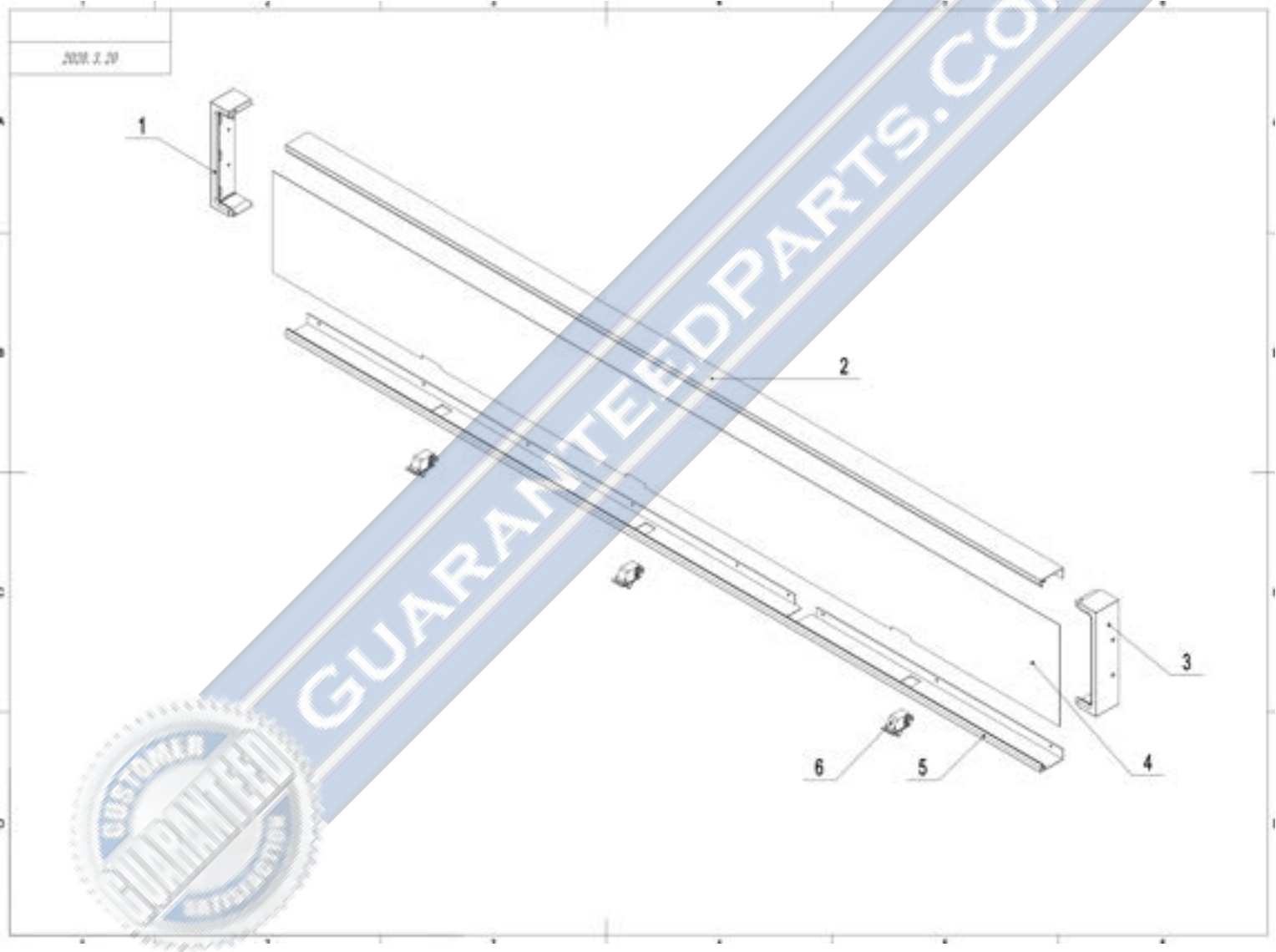


## Door Assembly Assembly

Part No.	SKU	Description
1	1759-816	Left-Top Hinge
2	1759-1166	Screw W Flat Washer & Lock Washer
3	1759-754	Door Shaft Sleeve-Top
4	1759-800	Left Glass Door
5	1759-824	Door Brake-Left
6	1759-755	Door Shaft Sleeve-Bottom
7	1759-823	Door Brake
8	1759-799	Right Glass Door
9	1759-1737	Door Gasket C-23FM/RM-HC,C-49F,C-72FM
10	1759-815	Right-Top Hinge
11	1759-818	Left-Bottom Hinge
12	1759-829	Door Brake-Bottom
13	1759-1161	SS Screw M6X8
14	1759-872	Middle-Bottom Hinge
15	1759-841	Door Spring Bar
16	1759-698	LED Light
17	1759-817	Right-Bottom Hinge



# 3- Motor Cover Assembly

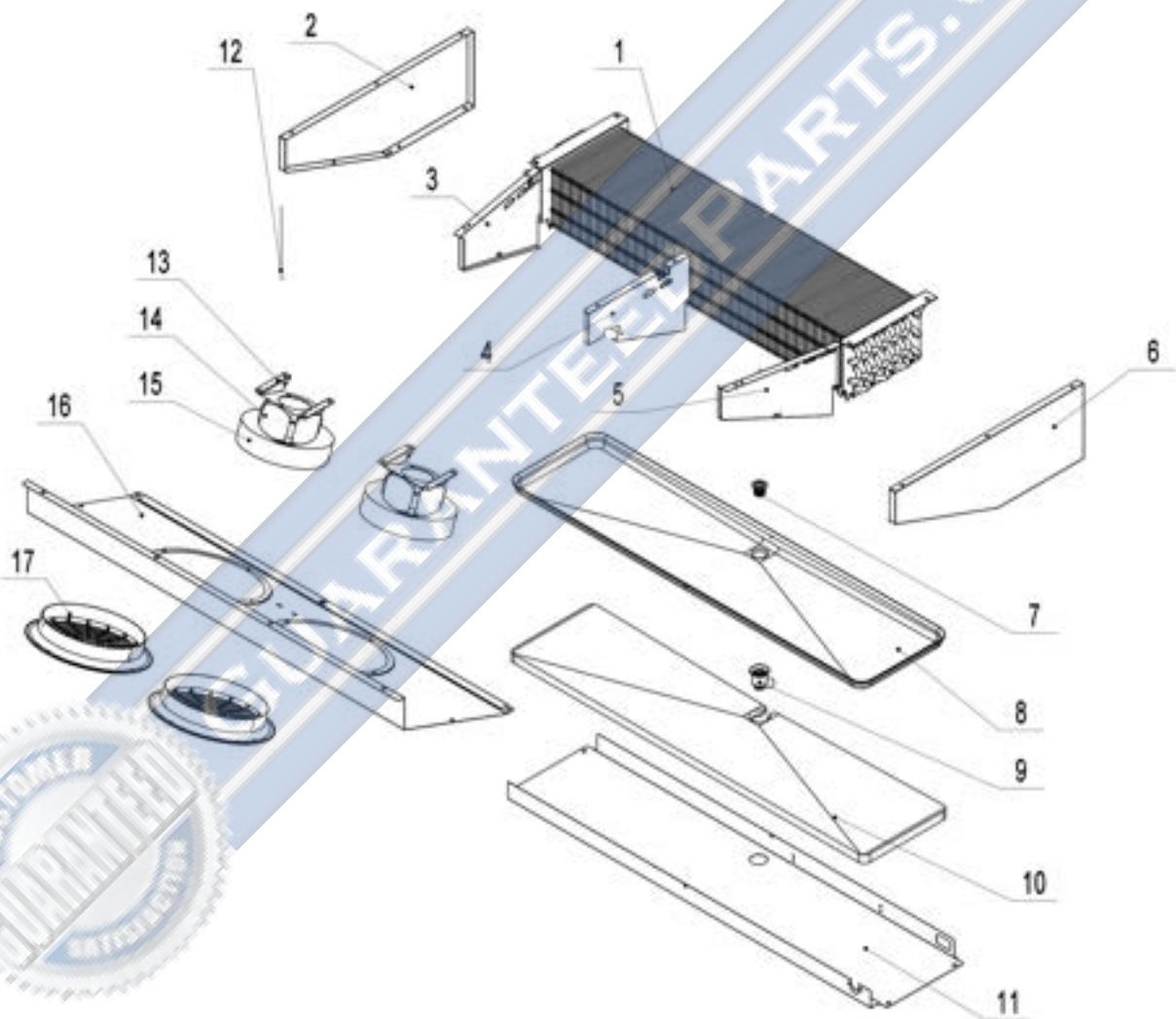


Part No.	SKU	Description
1	1759-751	Top Panel Frame-Left
2	1759-875	Top Mullion
3	1759-750	Top Panel Frame-Right
4	1759-1021	Top Panel
5	1759-2243	Top Panel Frame-Bottom
6	1759-2228	Gate Magnetic Switch C-10RM



GUARANTEEDPARTS.COM

# 4- Evaporator Assembly

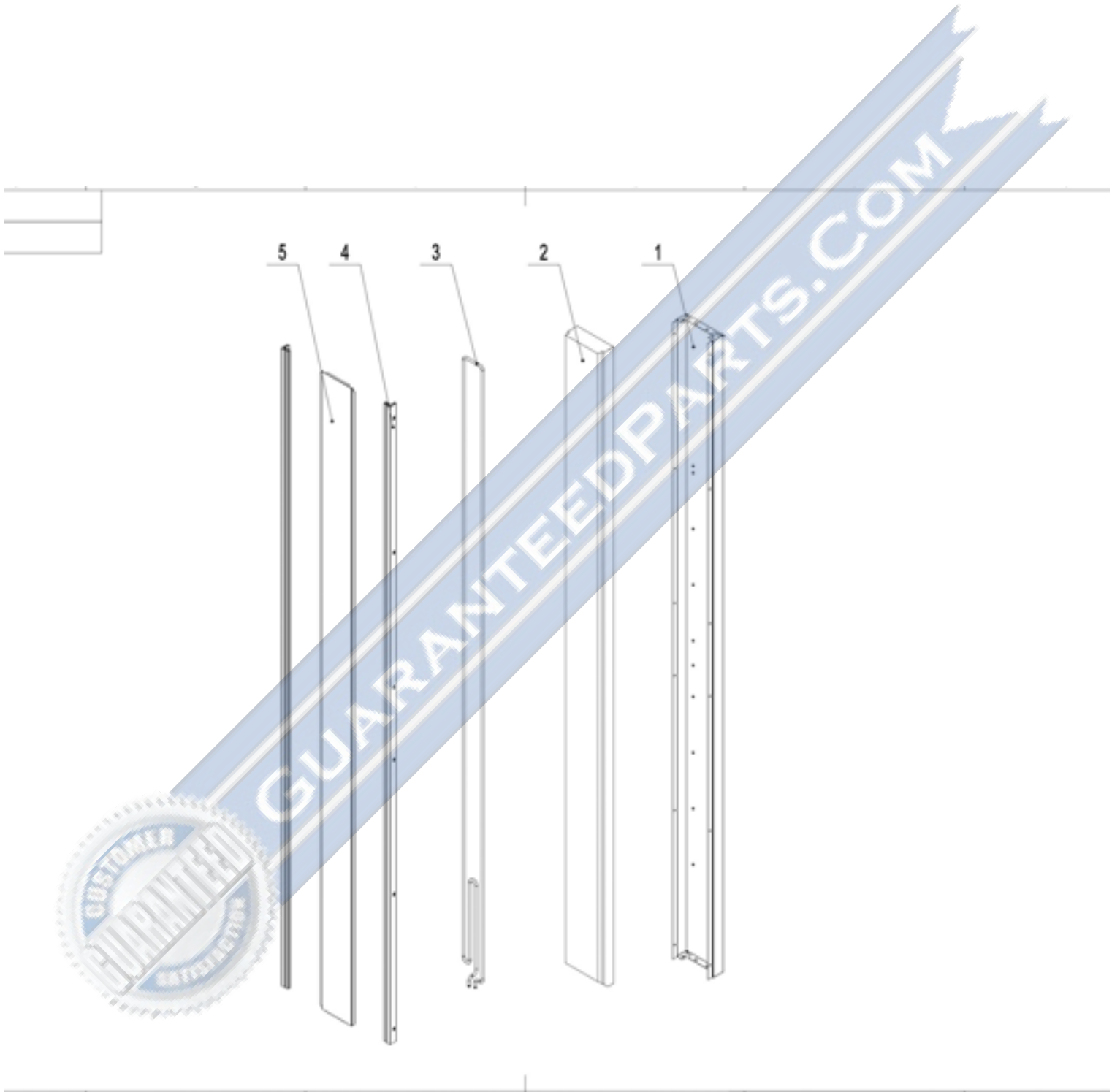


Part No.	SKU	Description
1	1759-642	Evaporator
2	1759-1849	Evap Left Cover
3	1759-12	Left Air Lane Cover
4	1759-459	Middle Air Lane Cover
5	1759-13	Right Air Lane Cover
6	1759-1850	Evap Right Cover
7	1759-758	Drain Hose Connector B
8	1759-482	Drain Pan R90 C-3R-HC, C-3Rg-
9	1759-757	Drain Hose Connector A
10	1759-847	Drain Pan Foam
11	1759-1883	Drain Pan Cover
12	1759-697	Room Sensor Probe
13	1759-15	Evap Fan Bracket
14	1759-686	Evap Fan Motor
15	1759-681	Evap Fan Blade
16	1759-1884	Evap Front Cover
17	1759-748	Evap Fan Motor Cover



GUARANTEED PARTS.COM

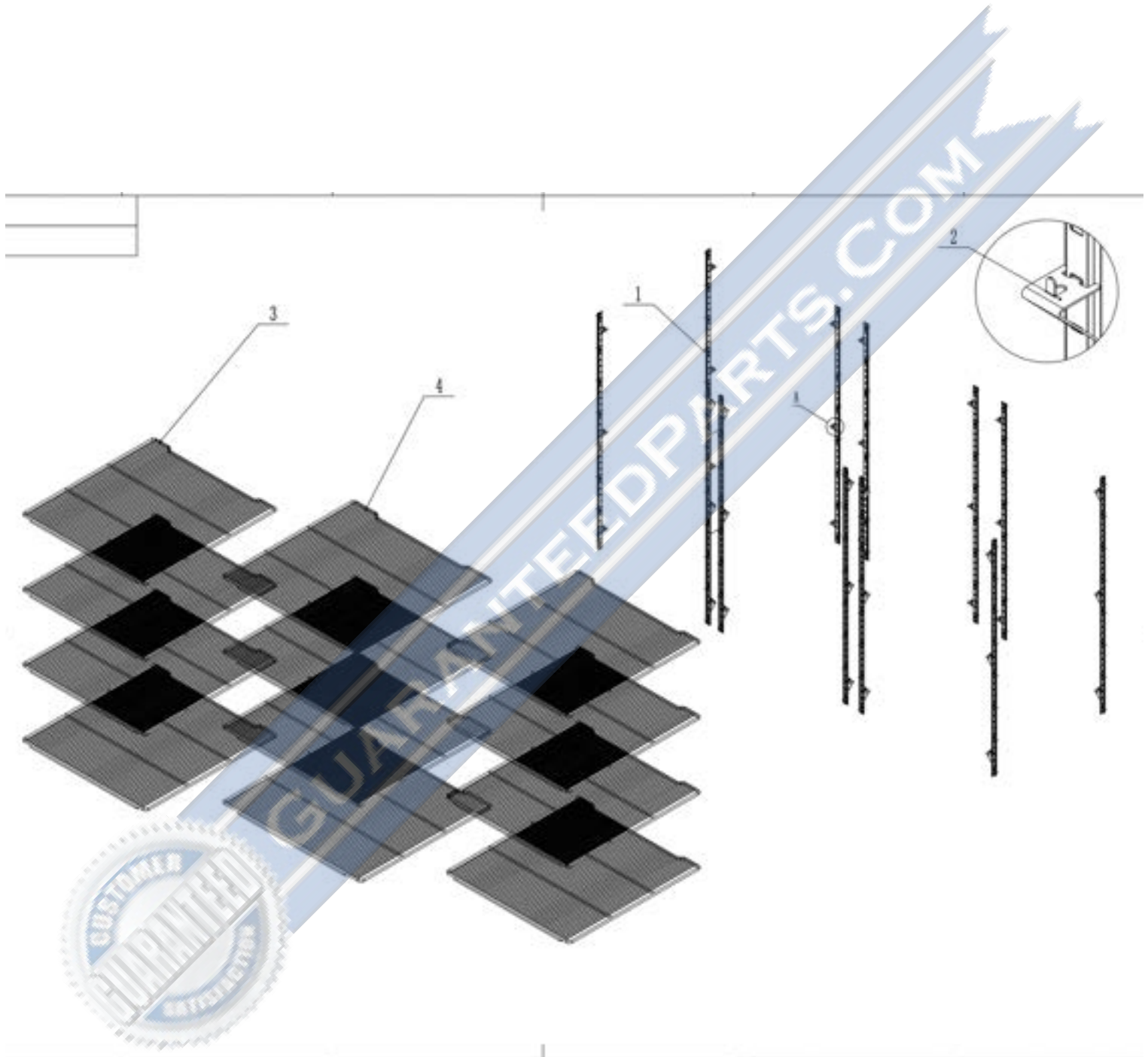
# 5- Mullion Assembly



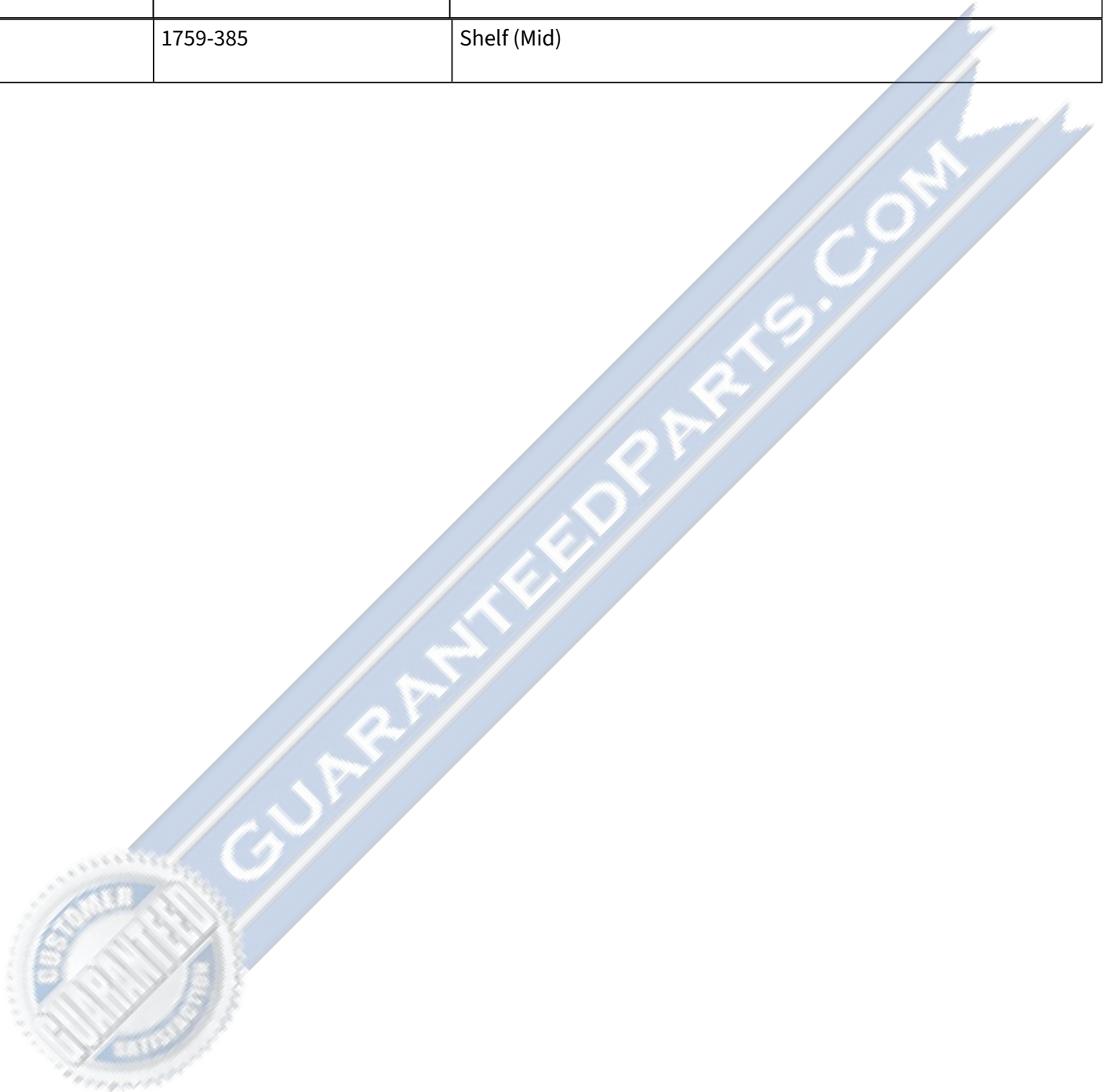
Part No.	SKU	Description
1	1759-2232	Mullion Back Cover
2	1759-805	Mullion Foam
3	1759-1681	Mullion Heater C-49RM-HC 2021
4	1759-791	Mullion Plastic Connector
5	1759-2233	Mullion Front Cover



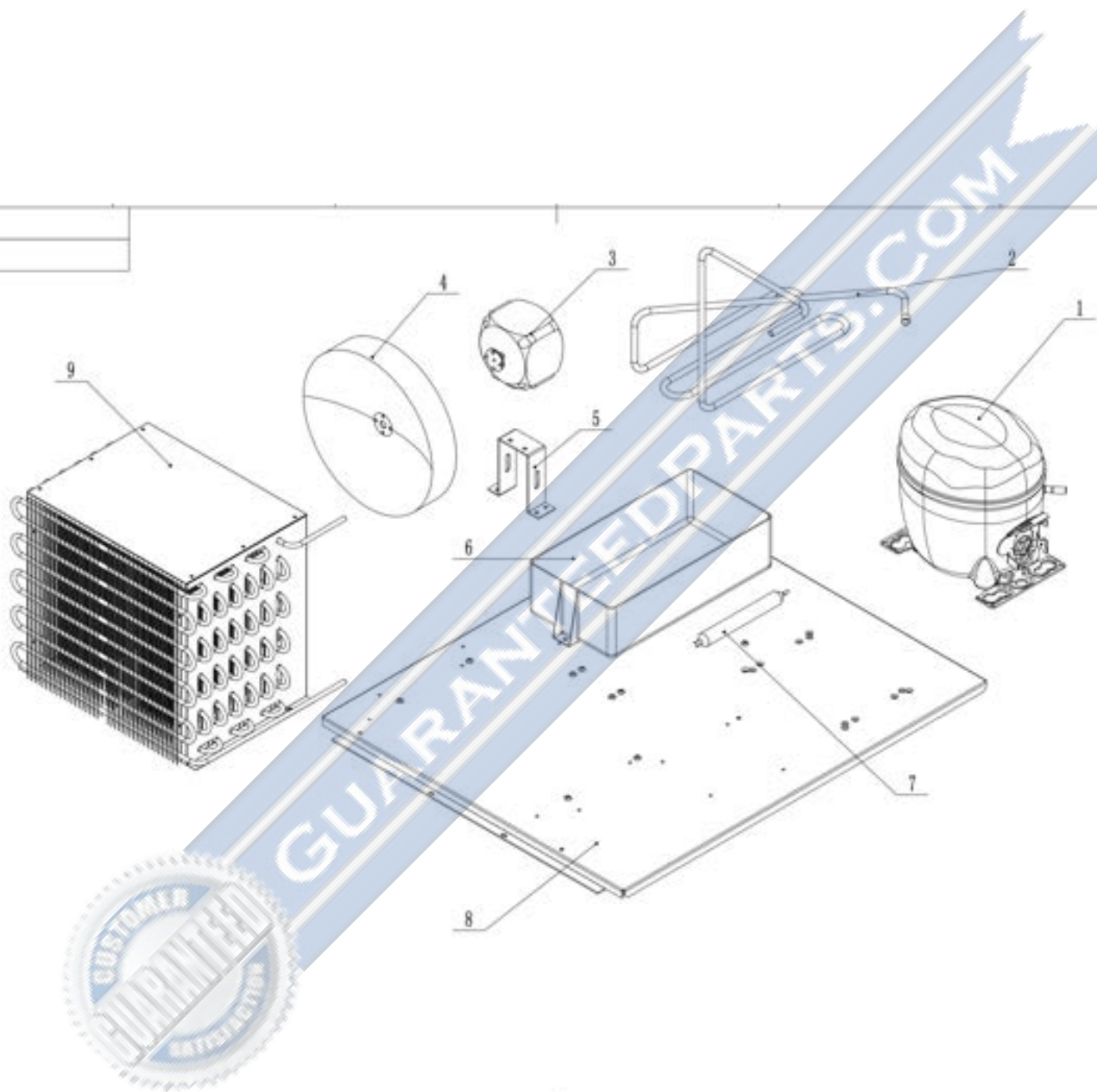
# 6- Shelf Assembly



Part No.	SKU	Description
1	1759-483	Pilaster For Shelf
2	1759-04	Shelf Support Clip
3	1759-721	Shelf
4	1759-385	Shelf (Mid)



# 7- Condensing Unit Assembly



Part No.	SKU	Description
1	1759-638	Compressor
2	1759-1907	High Pressure Coil
3	1759-687	Condenser Fan Motor
4	1759-683	Condenser Fan Blade
5	1759-497	Condenser Fan Bracket
6	1759-792	Plastic Drain Pan
7	1759-657	Dry Filter
8	1759-1950	Compressor Board
9	1759-1244	Condenser
xxx	1759-1886	Connecting Coil to Condenser



GUARANTEEDPARTS.COM