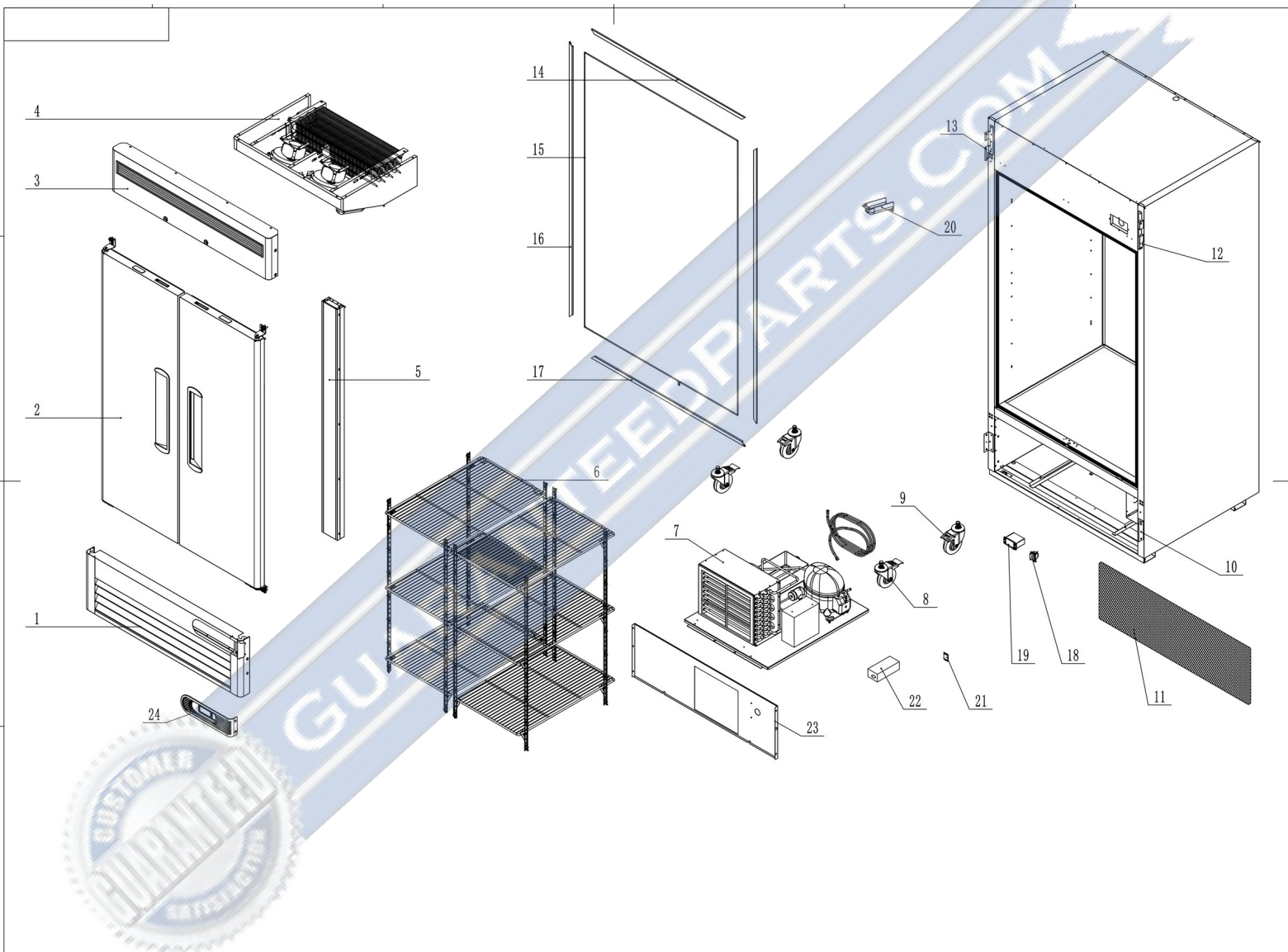


# MIGALI

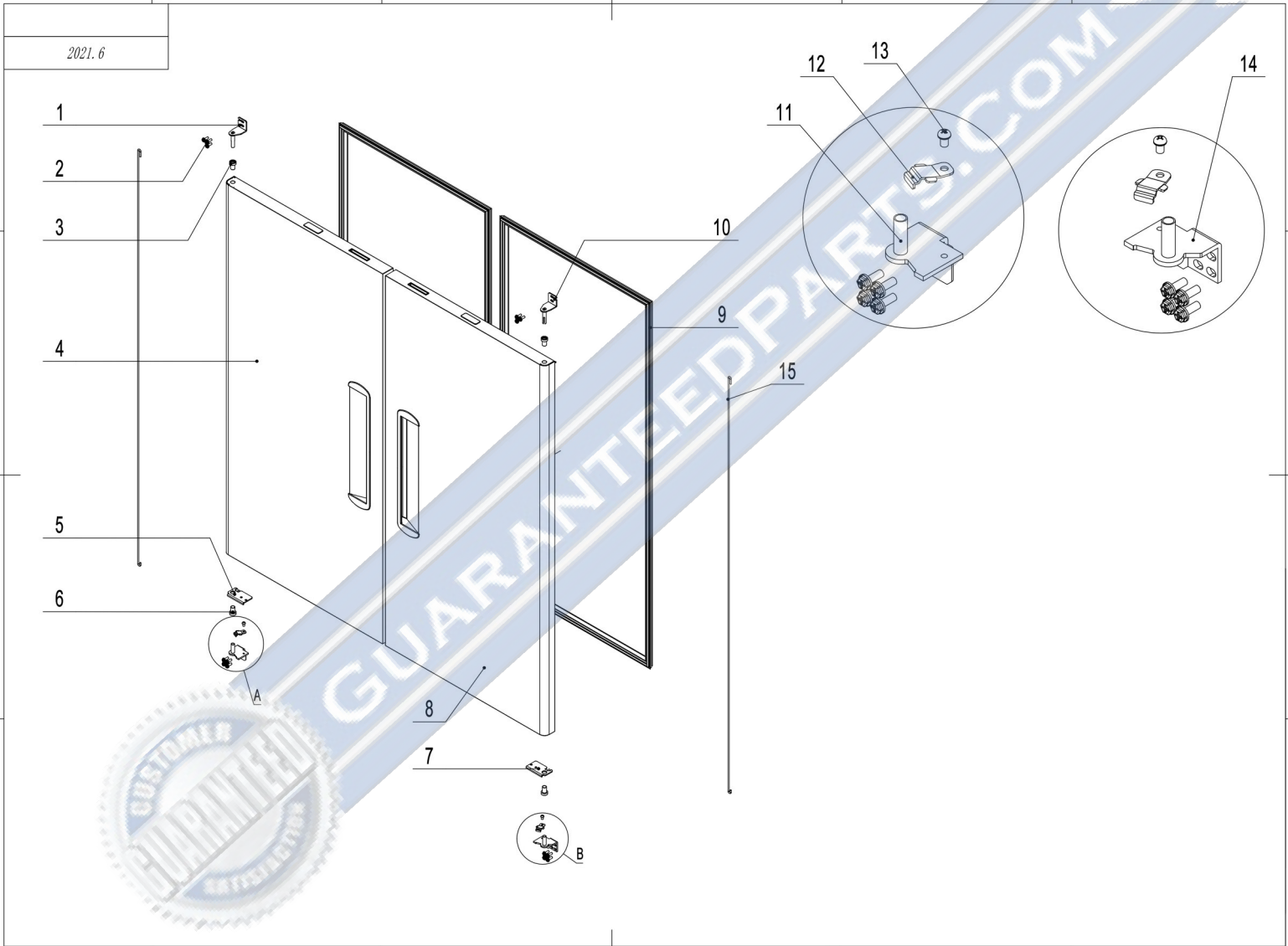
## C-2FB-35-HC



## MAIN OVERVIEW

Part No	SKU	Description
1	1759-1684	Bottom Panel New Design V3 C-2
8	1759-1243	Do Not Use Caster 4" Wheel With Brake
9	1759-945	4" Castor Without Brake
10	1759-534	Fastener For Bottom Panel
11	1759-1424	Back Bottom Barrier
12	1759-1923	Right-Top Fastener For Top Panel
13	1759-1922	Left-Top Fastener For Top Panel
14	1759-2277	Top Frame Cover C-2FB
15	1759-1949	Cabinet Wire Heater
16	1759-774	Left-Right Frame Cover
17	1759-1937	Top Frame Cover
18	1759-764	Controller Bracket
18	1759-705	Power Switch
19	1759-1666	Digital Controller-Frz R290 Carel
20	1759-749	A Drain Protection
21	1759-1670	Led Controller C-1R-HC
22	1759-710	LED Power
23	1759-1992	Wind Deflector Unit
24	1759-1472	Controller Panel Migali New Design

# 2-DOOR ASSEMBLY

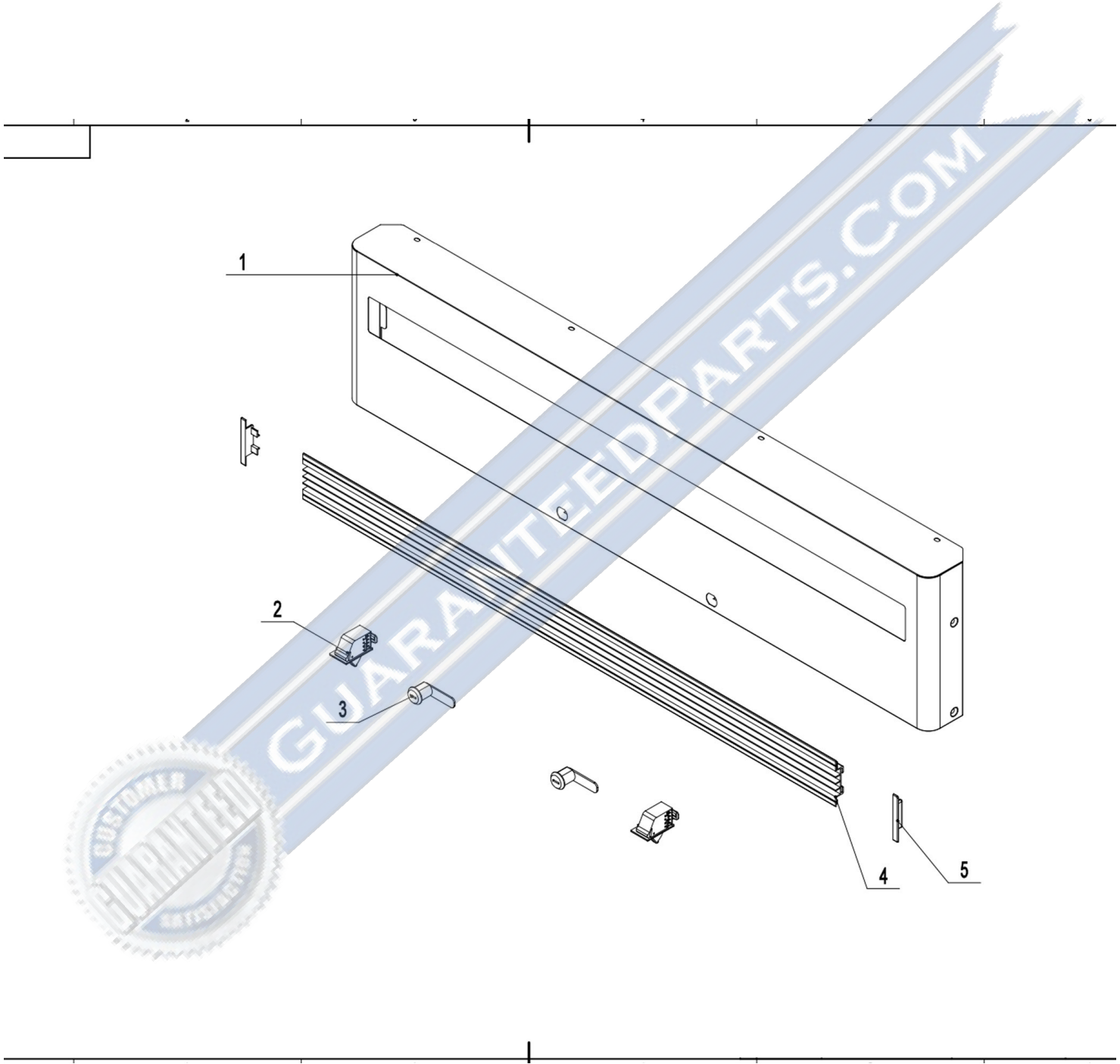


<b>Part No</b>	<b>SKU</b>	<b>Description</b>
1	1759-816	Left-Top Hinge
2	1759-1166	Screw W Flat Washer & Lock Washer
3	1759-754	Door Shaft Sleeve-Top
4	1759-1683	Left Door New Design C-2FB-35-HC
5	1759-824	Door Brake-Left
6	1759-755	Door Shaft Sleeve-Bottom
7	1759-823	Door Brake
8	1759-1682	Right Door New Design C-2FB-35-HC
9	1759-1551	Door Gasket
10	1759-815	Right-Top Hinge
11	1759-818	Left-Bottom Hinge
12	1759-829	Door Brake-Bottom
13	1759-1161	SS Screw M6X8
14	1759-817	Right-Bottom Hinge
15	1759-913	Door Spring Bar

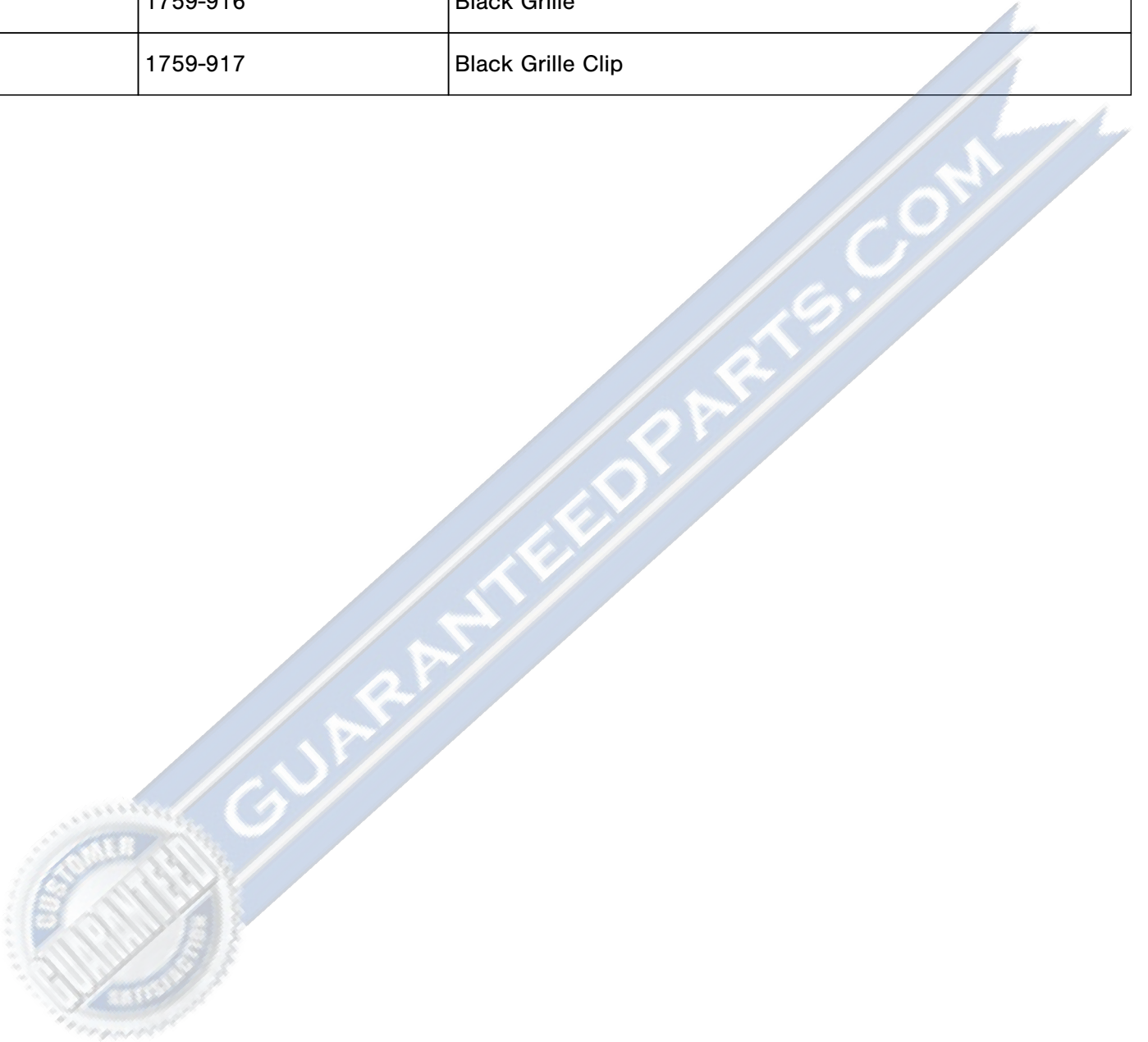


GUARANTEED PARTS.COM

# 3- MOTOR COVER ASSEMBLY- VERSION 1

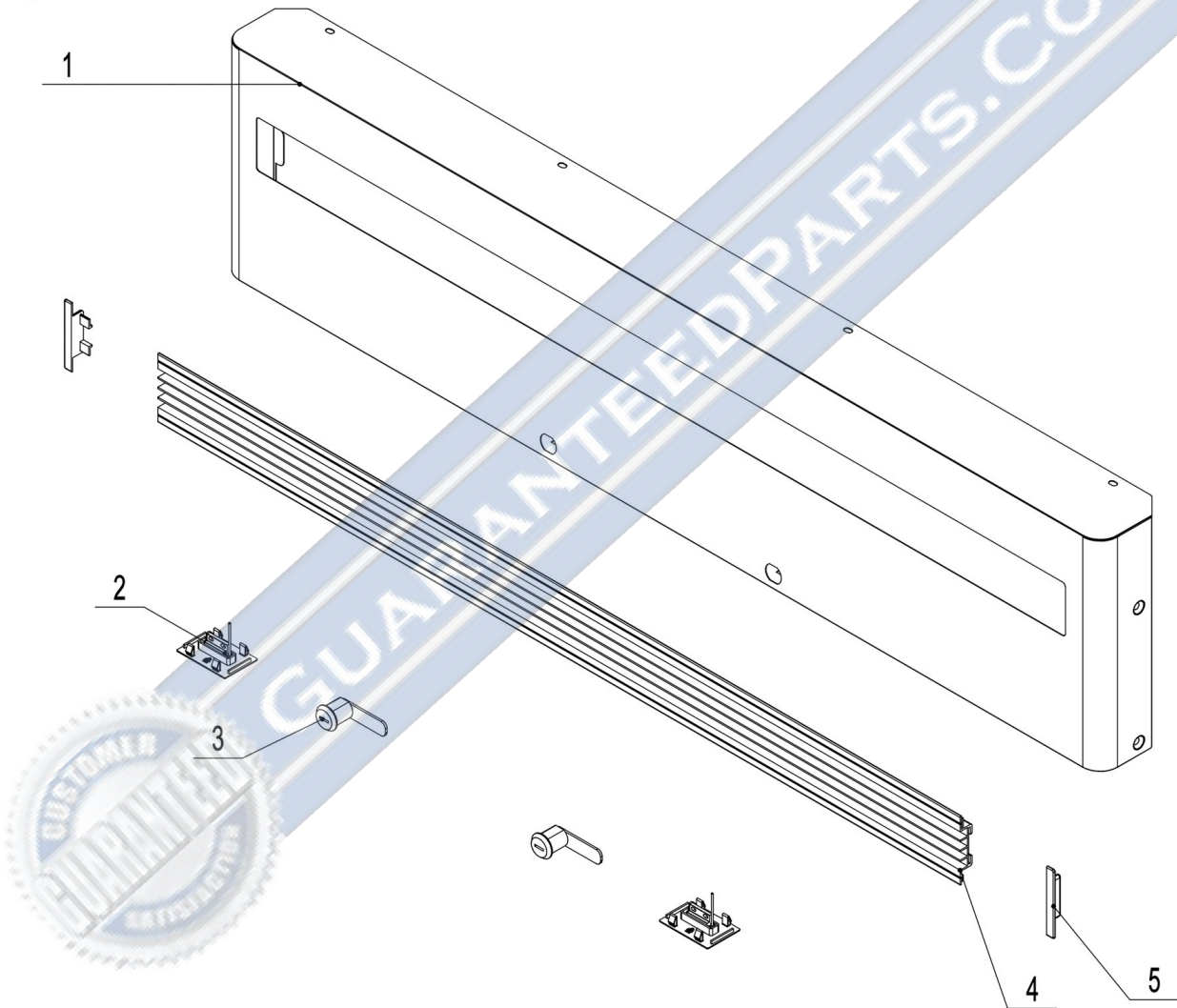


<b>Part No</b>	<b>SKU</b>	<b>Description</b>
1	1759-915	Top Panel
2	1759-703	Door Switch
3	1759-813	Locker
4	1759-916	Black Grille
5	1759-917	Black Grille Clip



# 3- MOTOR COVER ASSEMBLY- VERSION2

721.6

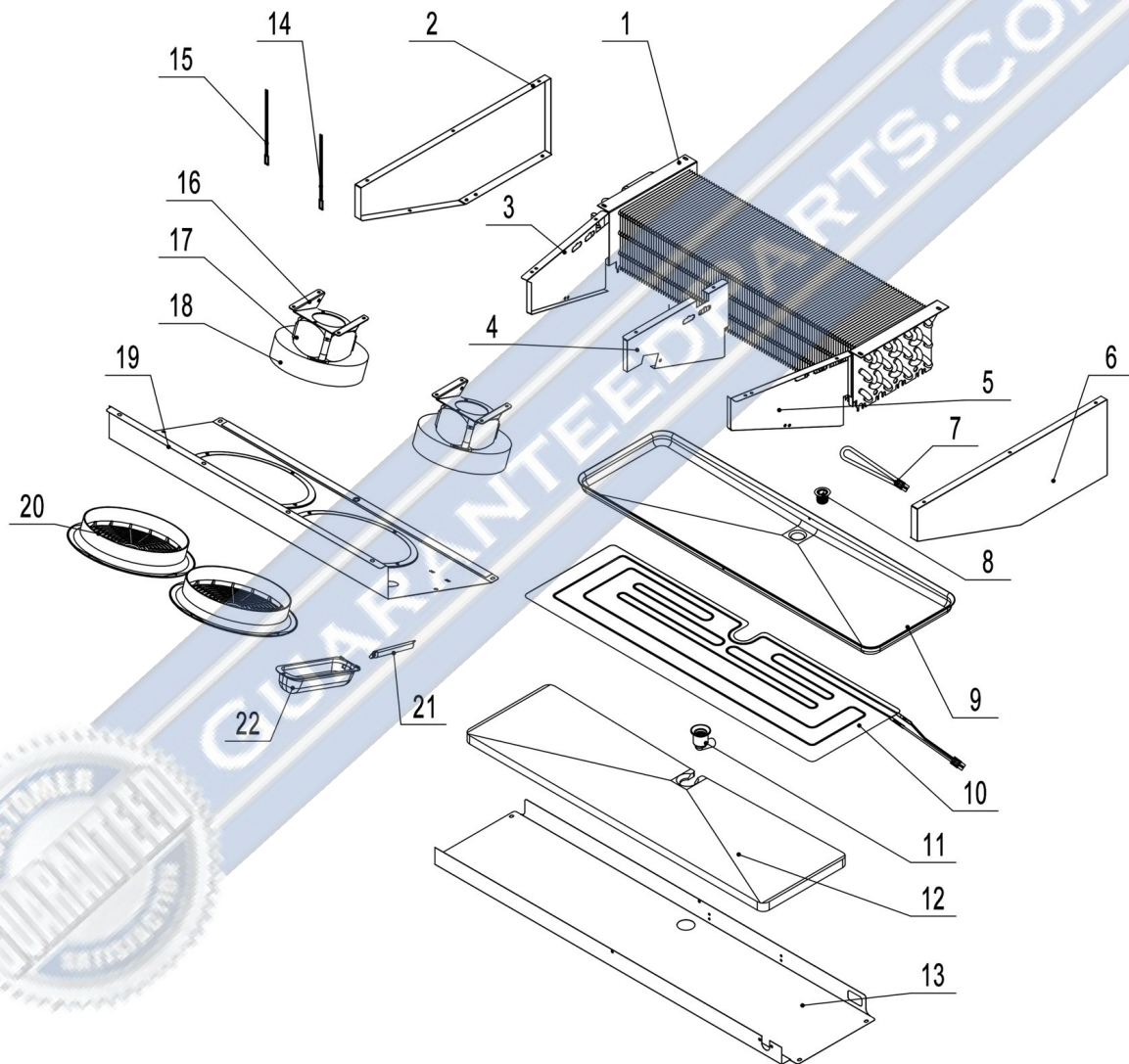


<b>Part No</b>	<b>SKU</b>	<b>Description</b>
1	1759-1685	Top Panel Assembly New Color Design
2	1759-1474	Gate Magnetic Switch C-2RB-HC
3	1759-813	Locker
4	1759-2281	Black Grille C-2FB-25-HC
5	1759-2275	Black Grille Chip C-1RB



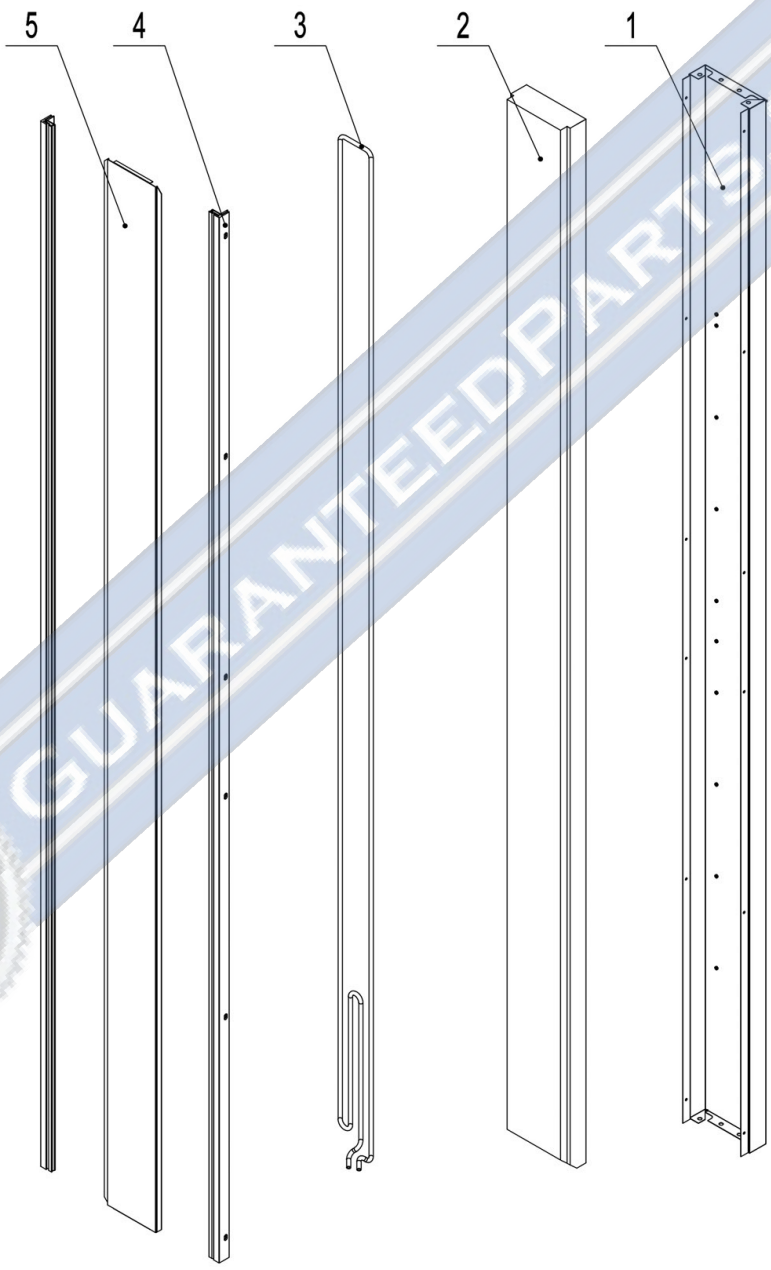


# 4- EVAPORATOR ASSEMBLY



<b>Part No</b>	<b>SKU</b>	<b>Description</b>
1	1759-931	Evaporator
2	1759-460	Evap Left Cover
3	1759-12	Left Air Lane Cover
4	1759-459	Middle Air Lane Cover
5	1759-13	Right Air Lane Cover
6	1759-461	Evap Right Cover
7	1759-706	Drain Hose Heater
8	1759-758	Drain Hose Connector B
9	1759-1933	Drain Pan
10	1759-1137	Drain Pan Heater
11	1759-757	Drain Hose Connector A
12	1759-1935	Drain Pan Foam
13	1759-1934	Drain Pan Cover
14	1759-697	Room Sensor Probe
15	1759-910	Defrost Sensor Probe
16	1759-15	Evap Fan Bracket
17	1759-686	Evap Fan Motor
18	1759-681	Evap Fan Blade
19	1759-1951	Evap Front Cover
20	1759-748	Evap Fan Motor Cover
21	1759-701	Lamp
22	1759-759	Lamp Cover

# 5- MULLION ASSEMBLY

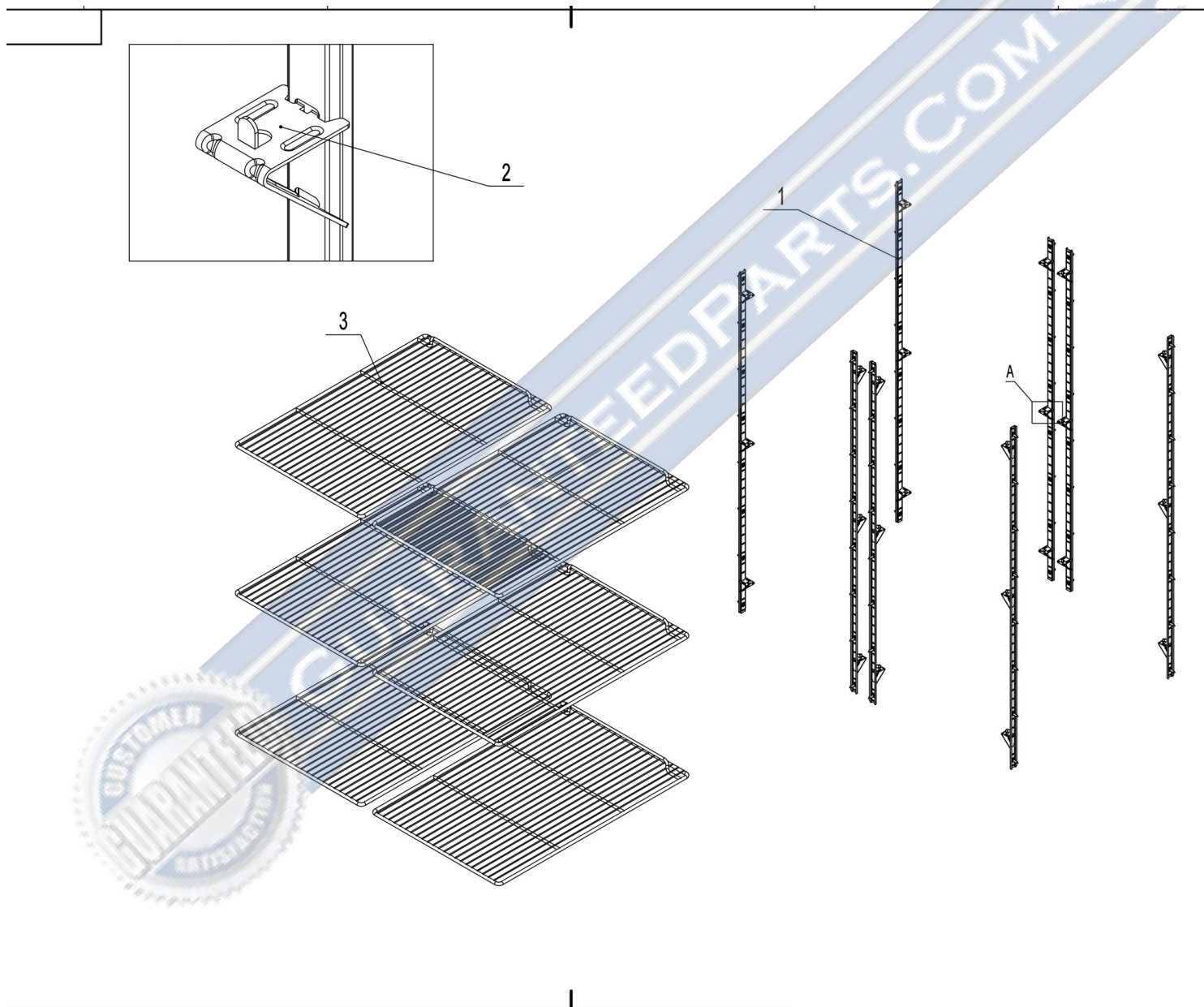


<b>Part No</b>	<b>SKU</b>	<b>Description</b>
1	1759-2232	Mullion Back Cover
2	1759-805	Mullion Foam
3	1759-1090	Mullion Heater
4	1759-791	Mullion Plastic Connector
5	1759-2233	Mullion Front Cover



**GUARANTEEDPARTS.COM**

# 6- SHELF ASSEMBLY

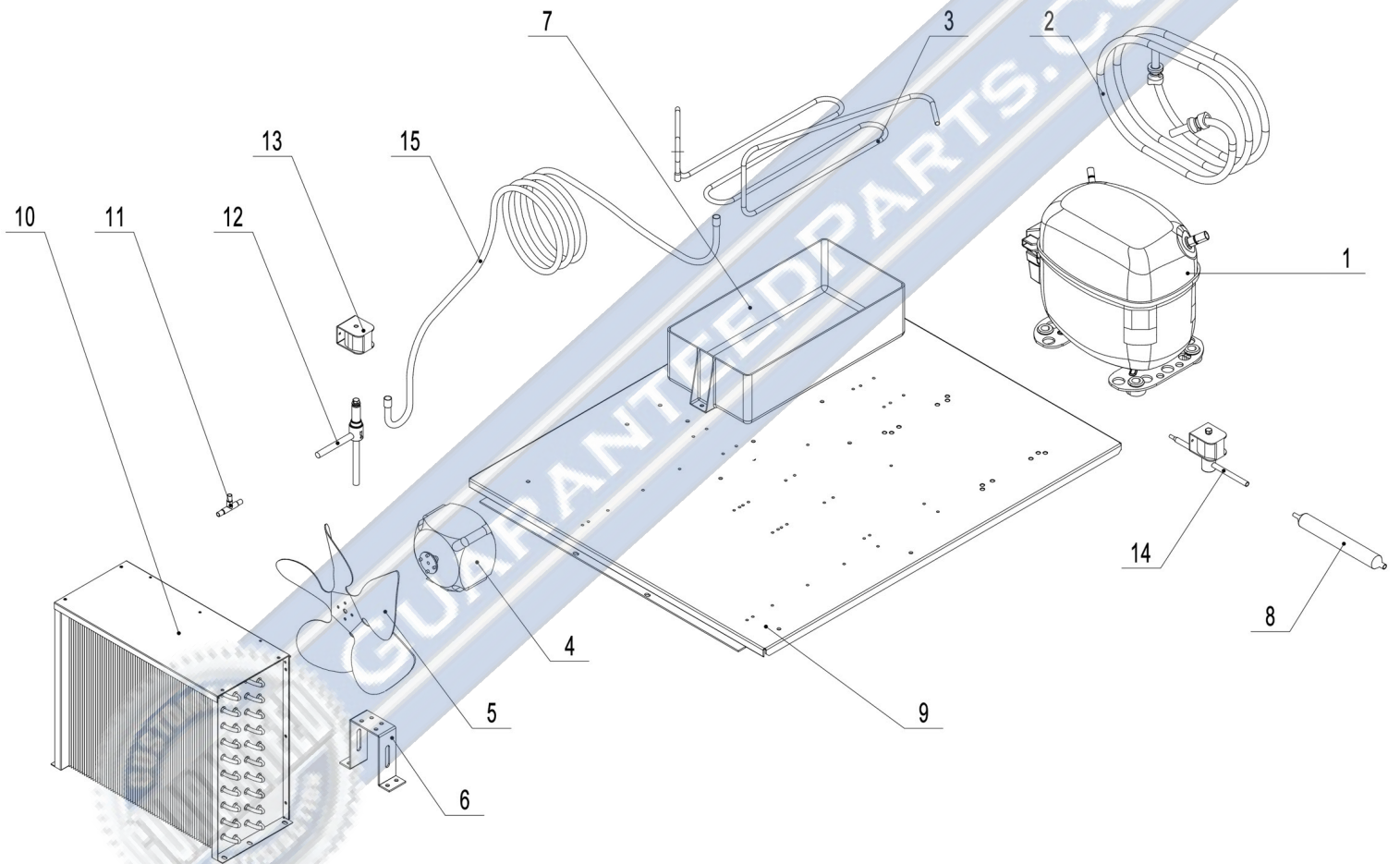


<b>Part No</b>	<b>SKU</b>	<b>Description</b>
1	1759-483	Pilaster For Shelf
2	1759-04	Shelf Support Clip
3	1759-1234	Shelf



# 7- CONDENSING UNIT ASSEMBLY

2021.6



<b>Part No</b>	<b>SKU</b>	<b>Description</b>
1	1759-1235	Compressor R290 Secop Sce18Cnl
2	1759-2279	Low Presure Coil Back To Compressor
3	1759-350	Condenser Fan Motor Ebmpapst
4	1759-683	Condenser Fan Blade
5	1759-497	Condenser Fan Bracket
6	1759-792	Plastic Drain Pan
7	1759-657	Dry Filter
8	1759-1950	Compressor Board
9	1759-1073	Condenser
10	1759-989	"T" Three Way Connecting Pipe
11	1759-941	Solenoid Valve Body
12	1759-940	Solenoid Valve Winding
13	1759-1242	Solenoid Valve Body (Normally Open)
14	1759-2282	Connecting Coil C-2FB-35



GUARANTEED PARTS.COM