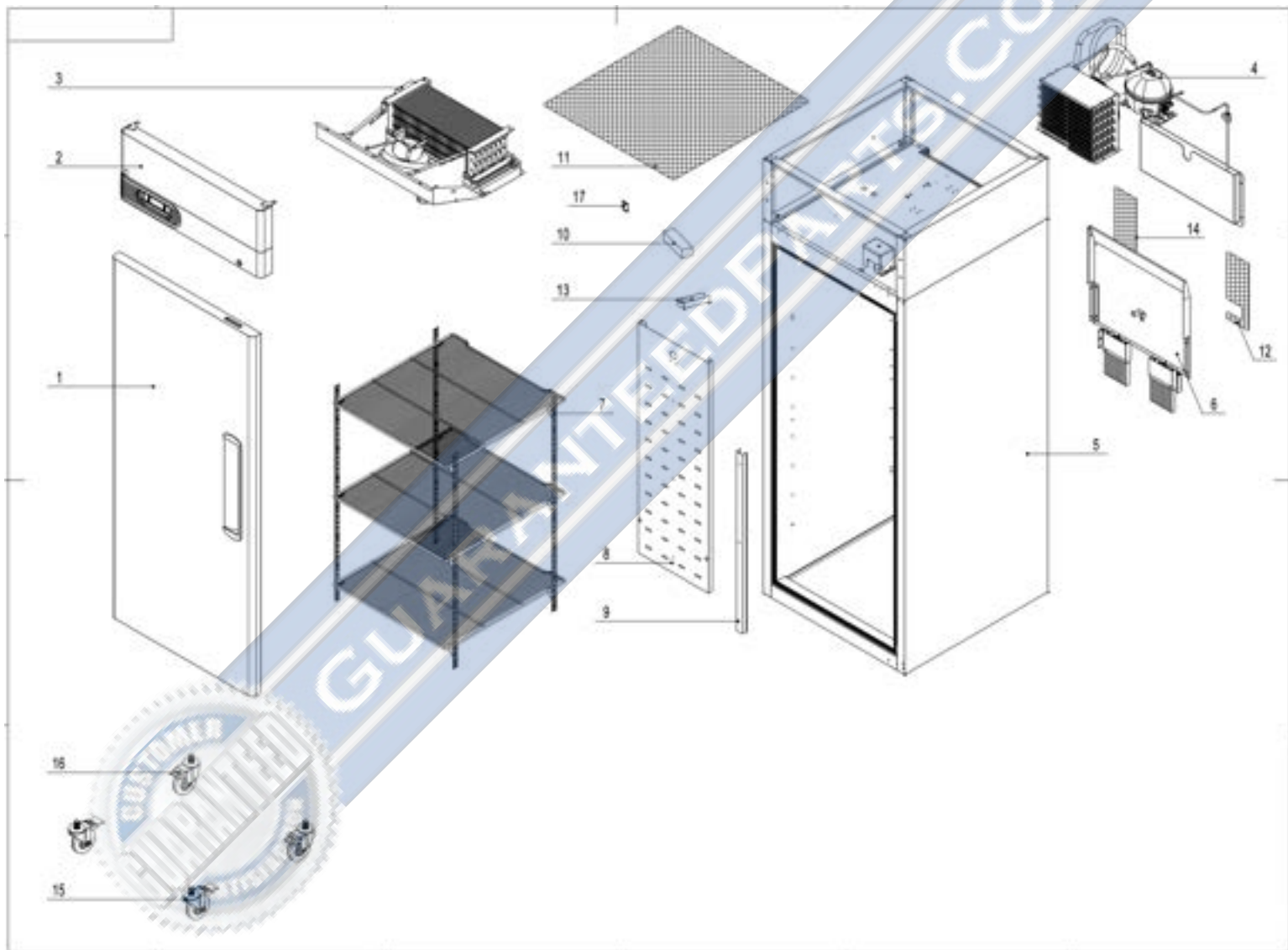


MIGALI

C-1R-LHH-HC



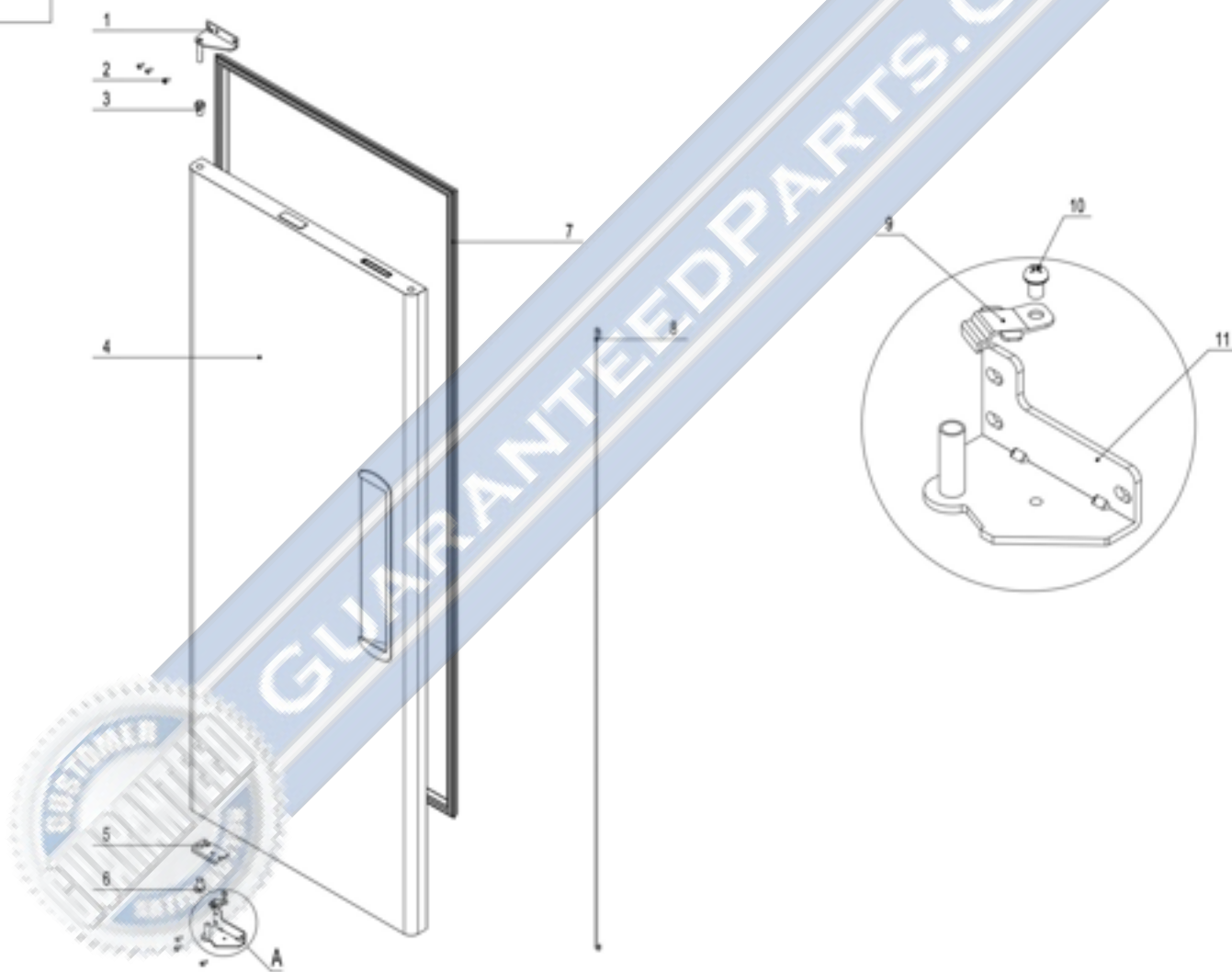
Part No.	SKU	Description
8	1759-1672	Back Wind Deflector / Back Wind Deflection Stent
9	1759-435	Back Wind Deflector Stents
10	1759-710	LED Power
11	1759-732	Top Net
12	1759-1674	Left Back Of Wire Cage C-1R-HC
13	1759-749	A Drain Protection
14	1759-1673	Right Back Of Wire Cage C-1R-HC
15	1759-1243	Do Not Use Caster 4" Wheel With Brake
16	1759-945	4" Castor Without Brake
17	1759-1670	Led Controller C-1R-HC



GUARANTEEDPARTS.COM

1- Door Assembly

2021.6

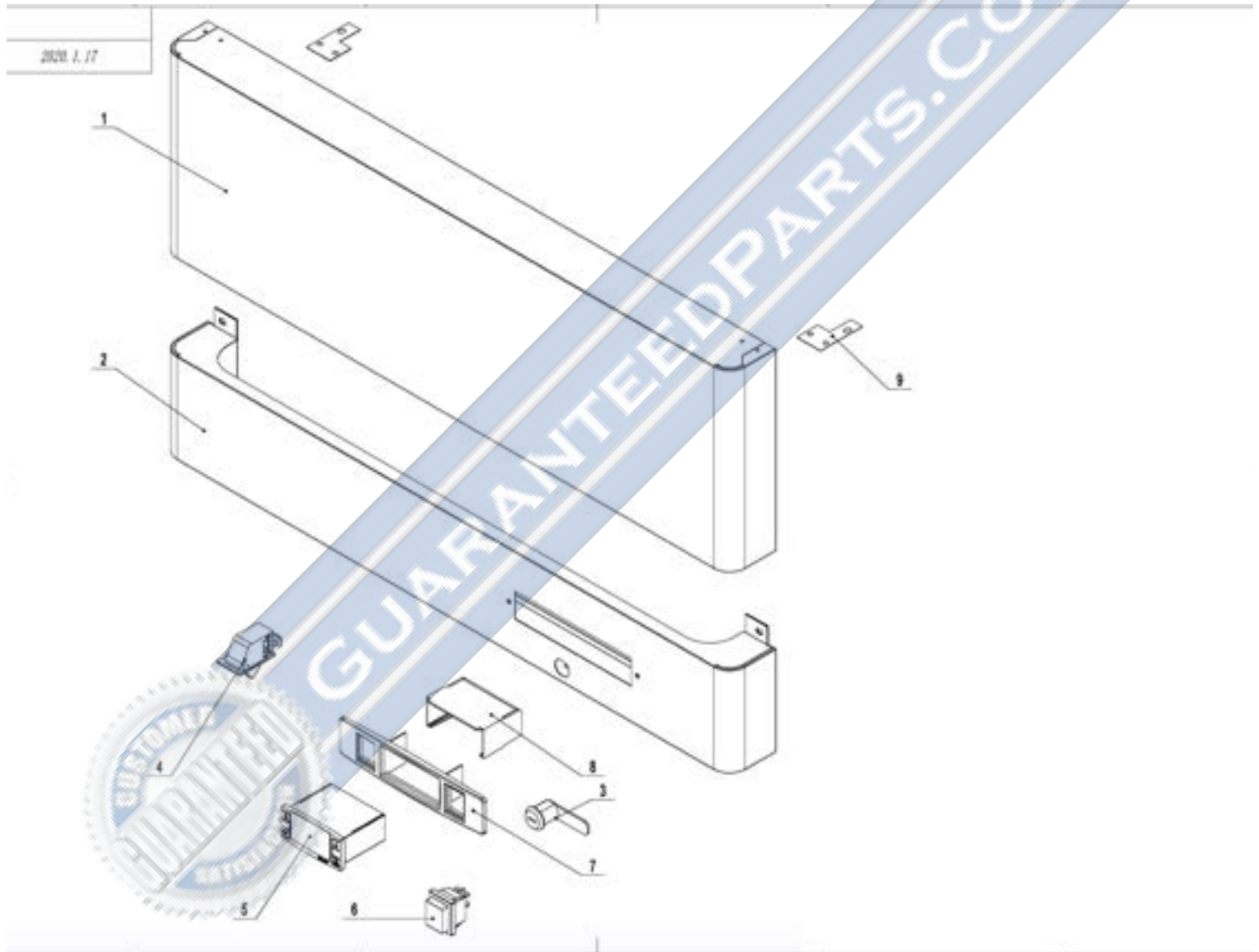


Part No.	SKU	Description
8	1759-1672	Back Wind Deflector / Back Wind Deflection Stent
9	1759-435	Back Wind Deflector Stents
10	1759-710	LED Power
11	1759-732	Top Net
12	1759-1674	Left Back Of Wire Cage C-1R-HC
13	1759-749	A Drain Protection
14	1759-1673	Right Back Of Wire Cage C-1R-HC
15	1759-1243	Do Not Use Caster 4" Wheel With Brake
16	1759-945	4" Castor Without Brake
17	1759-1670	Led Controller C-1R-HC



GUARANTEEDPARTS.COM

2- Motor Cover Assembly- Version 1

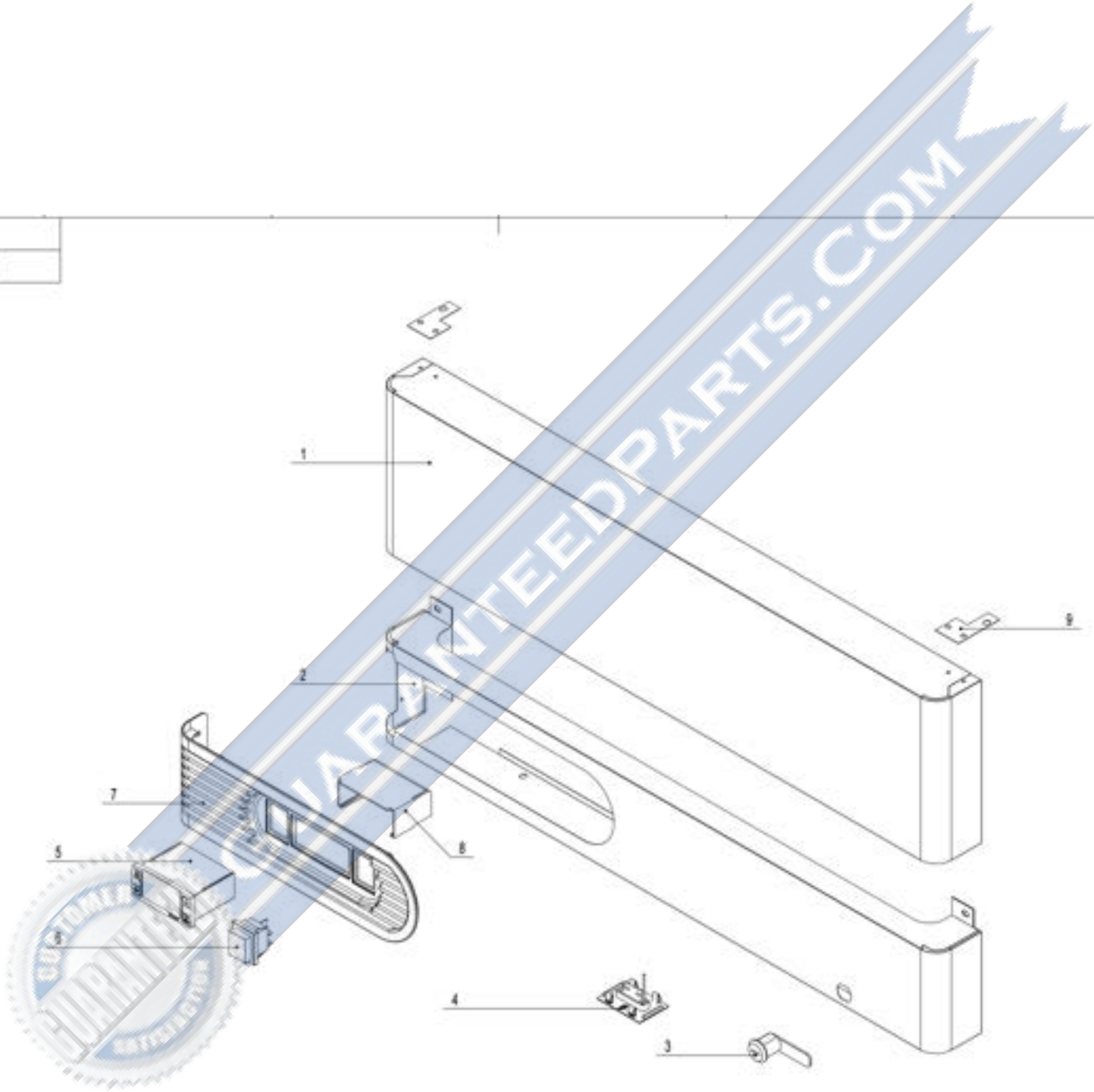


Part No.	SKU	Description
1	1759-543	Front Top Panel
2	1759-813	Locker
3	1759-703	Door Switch
4	1759-691	Digital Controller
5	1759-1730	Digital Controller
6	1759-693	Power Switch
7	1759-463	Fastener For Top Panel
8	1759-692	Controller Cover Plate



2- Motor Cover Assembly- Version 2

2021.6

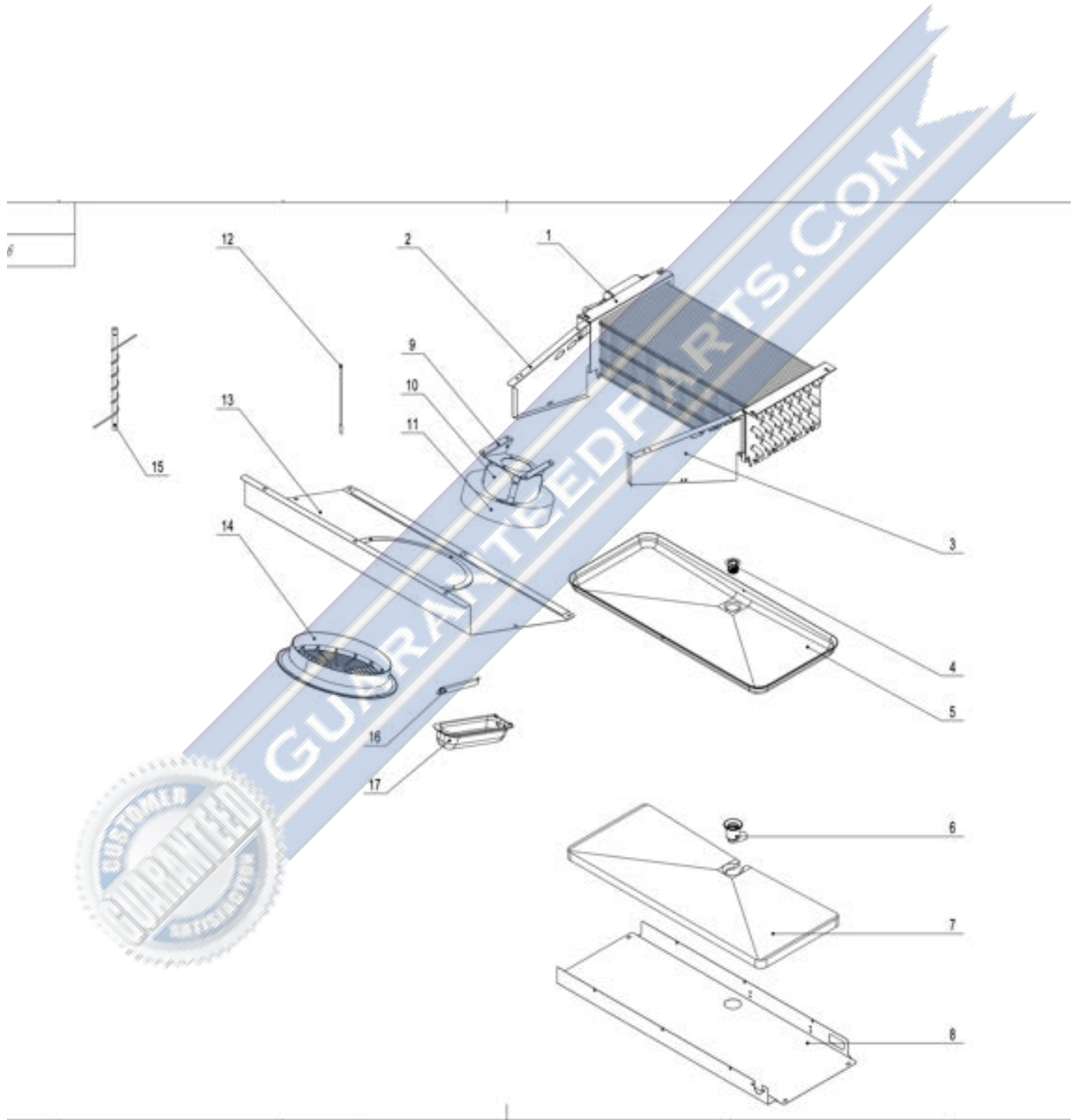


Part No.	SKU	Description
1	1759-08	Front Top Panel-Top
2	1759-2293	Front Top Panel Bottom C-1F-LH
3	1759-813	Locker
4	1759-2228	Gate Magnetic Switch C-10RM
5	1759-1667	Digital Controller Carel Pzyds
6	1759-705	Power Switch
7	1759-1472	Controller Panel Migali New Design
8	1759-694	Controller Cover
9	1759-463	Fastener For Top Panel



GUARANTEEDPARTS.COM

3- Evaporator Assembly

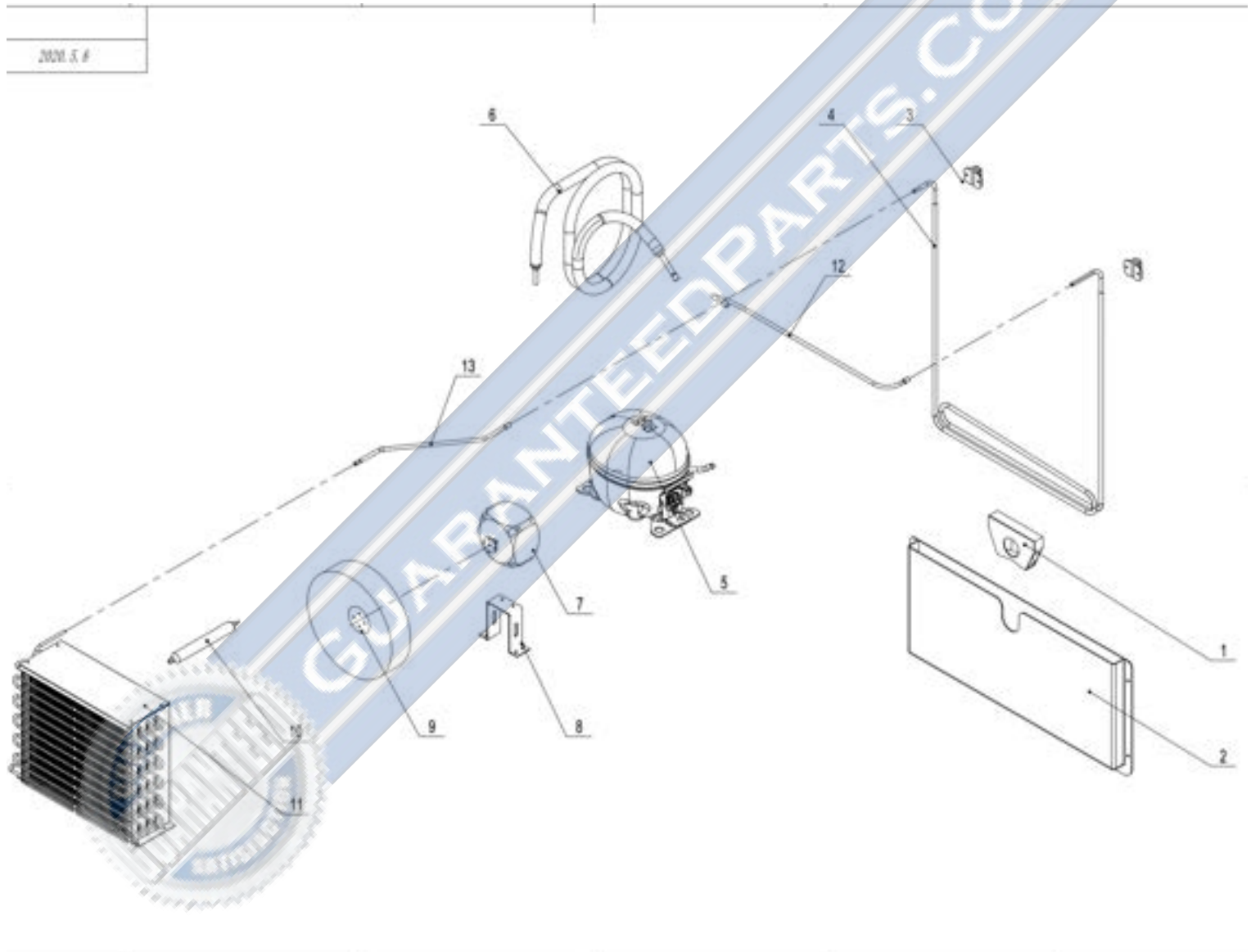


Part No.	SKU	Description
1	1759-640	Evaporator
2	1759-12	Left Air Lane Cover
3	1759-13	Right Air Lane Cover
4	1759-758	Drain Hose Connector B
5	1759-11	Drain Pan
6	1759-757	Drain Hose Connector A
7	1759-845	Drain Pan Foam
8	1759-2295	Drain Pan Cover C-1F-LHH
9	1759-15	Evap Fan Bracket
10	1759-686	Evap Fan Motor
11	1759-681	Evap Fan Blade
12	1759-697	Room Sensor Probe
13	1759-2296	Evaporator Front Cover
14	1759-748	Evap Fan Motor Cover
15	1759-291	Suction Pipe (B) C-1R
16	1759-701	Lamp
17	1759-759	Lamp Cover



GUARANTEED PARTS.COM

4- Condensing Unit Assembly

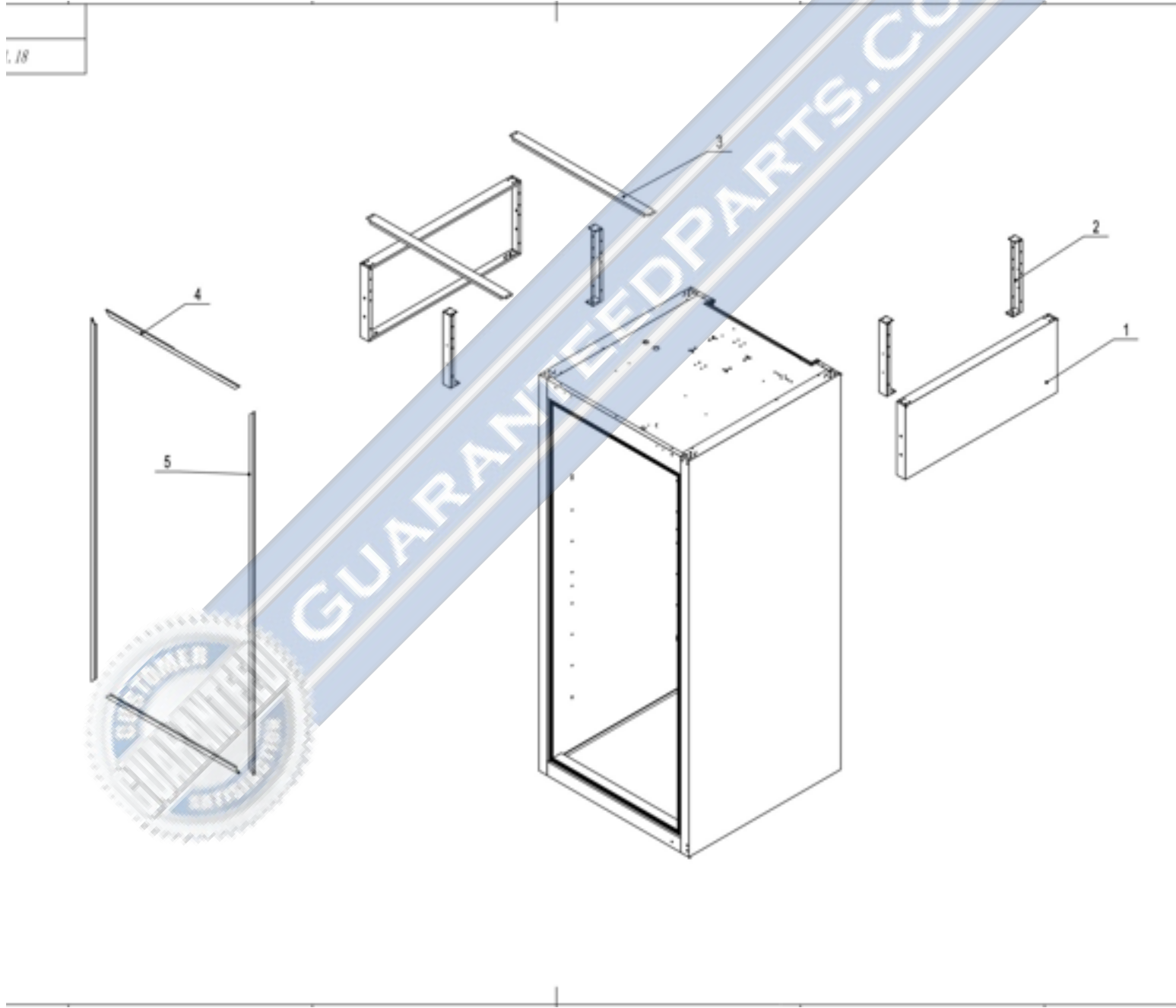


Part No.	SKU	Description
1	1759-747	Air Pressure Balance Device
2	1759-746	Back High Pressure Coil Pan
3	1759-804	Rubber Fixing Block R290 C-1F-HC
4	1759-664	High Pressure Coil
5	1759-1747	Compressor Cubigel Nut45Nr1
6	1759-300	Low Pressure Coil Back to Comp
7	1759-688	Condenser Fan
8	1759-497	Condenser Fan Bracket
9	1759-683	Condenser Fan Blade
10	1759-657	Dry Filter
11	1759-653	Condenser
12	1759-666	Connecting Coil From Compressor
13	1759-1839	Connecting Coil to Condenser
14	1759-2265	Connecting Coil To Pipe C-2R
15	1759-2266	Pipe To Connecting Coil



GUARANTEED PARTS.COM

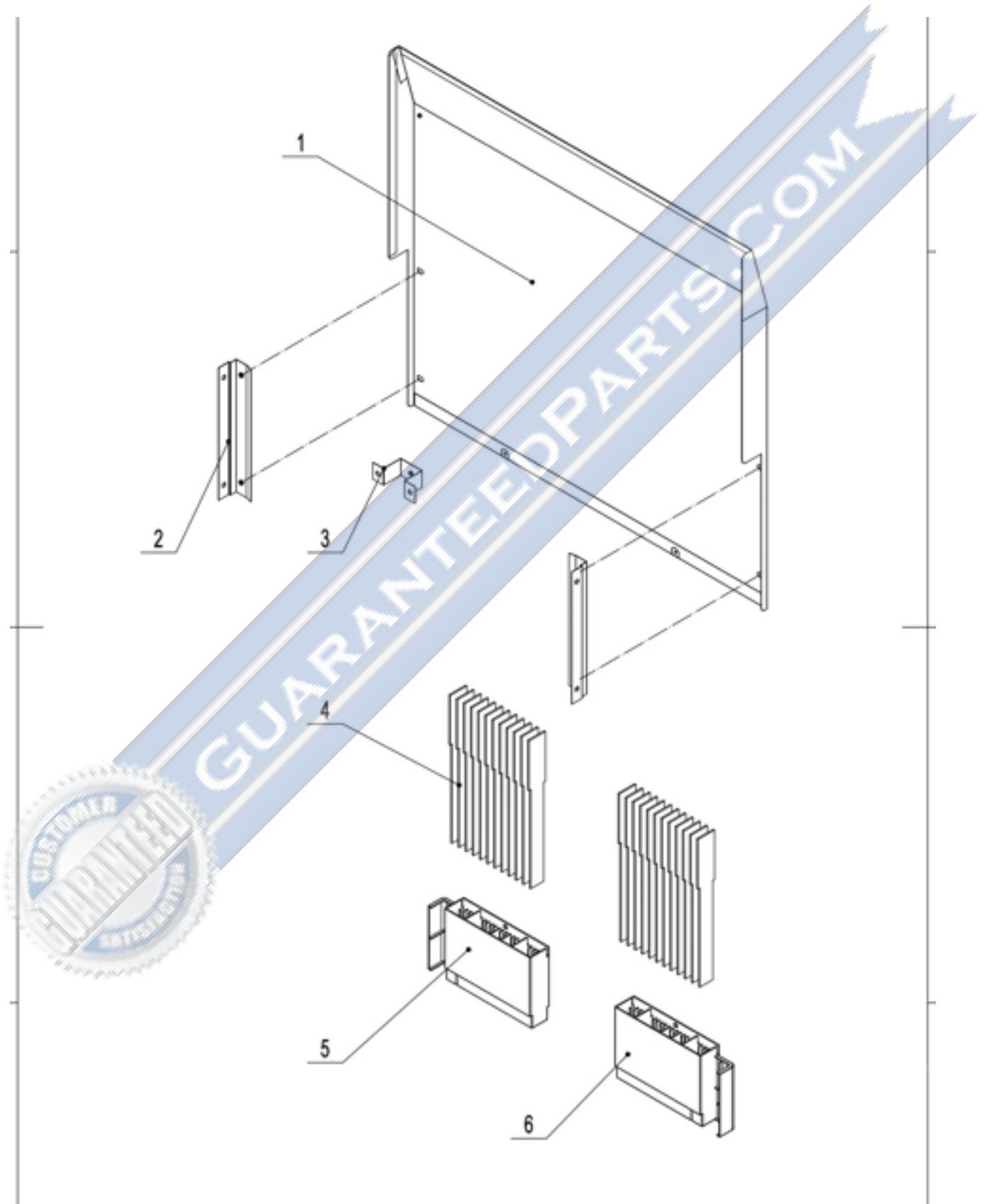
5- Cabinet Assembly



Part No.	SKU	Description
1	1759-06	Top Side Panel
2	1759-09	Side Panel Frame
3	1759-467	Top Long Fixing Rack
4	1759-468	Top Short Fixing Rack
5	1759-466	Top Fixing Rack R290 C-2F-HC
6	1759-769	Top-Bottom Frame Cover
7	1759-767	Left-Right Frame Cover



6- Water Evaporation Assembly

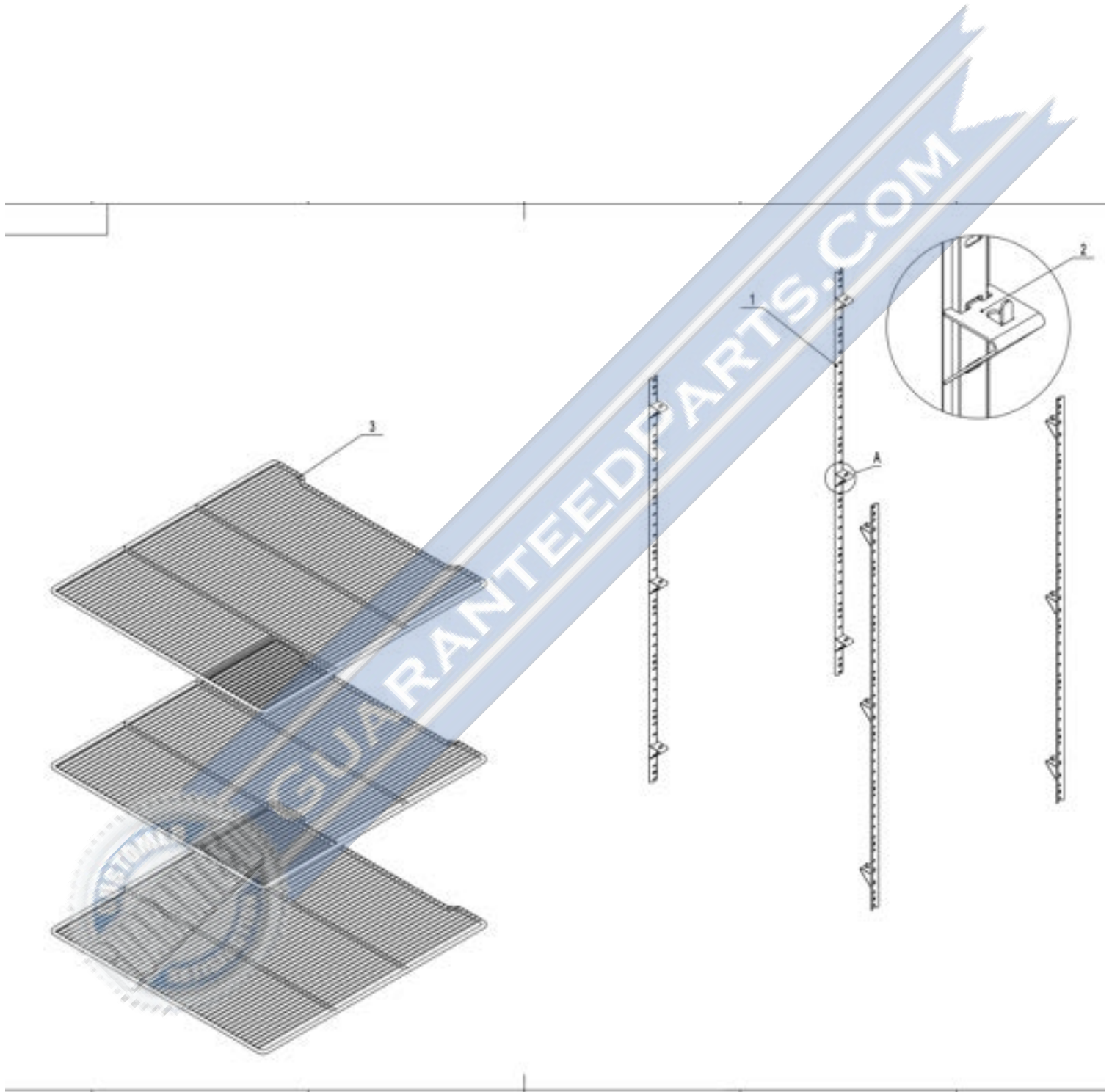


Part No.	SKU	Description
1	1759-1416	Air Deflector (Located Back Of Unit)
2	1759-1417	Side Fixing Plate For Air Deflector
3	1759-1418	Middle Fixing Plate For Air Deflector
4	1759-1419	Absorbent Paper 24Pcs Per Pack
5	1759-1420	Right Bracket For Absorbent Paper
6	1759-1421	Left Bracket For Absorbent Paper



GUARANTEEDPARTS.COM

7- Shelf Assembly



Part No.	SKU	Description
1	1759-483	Pilaster For Shelf
2	1759-04	Shelf Support Clip
3	1759-380	Shelf

