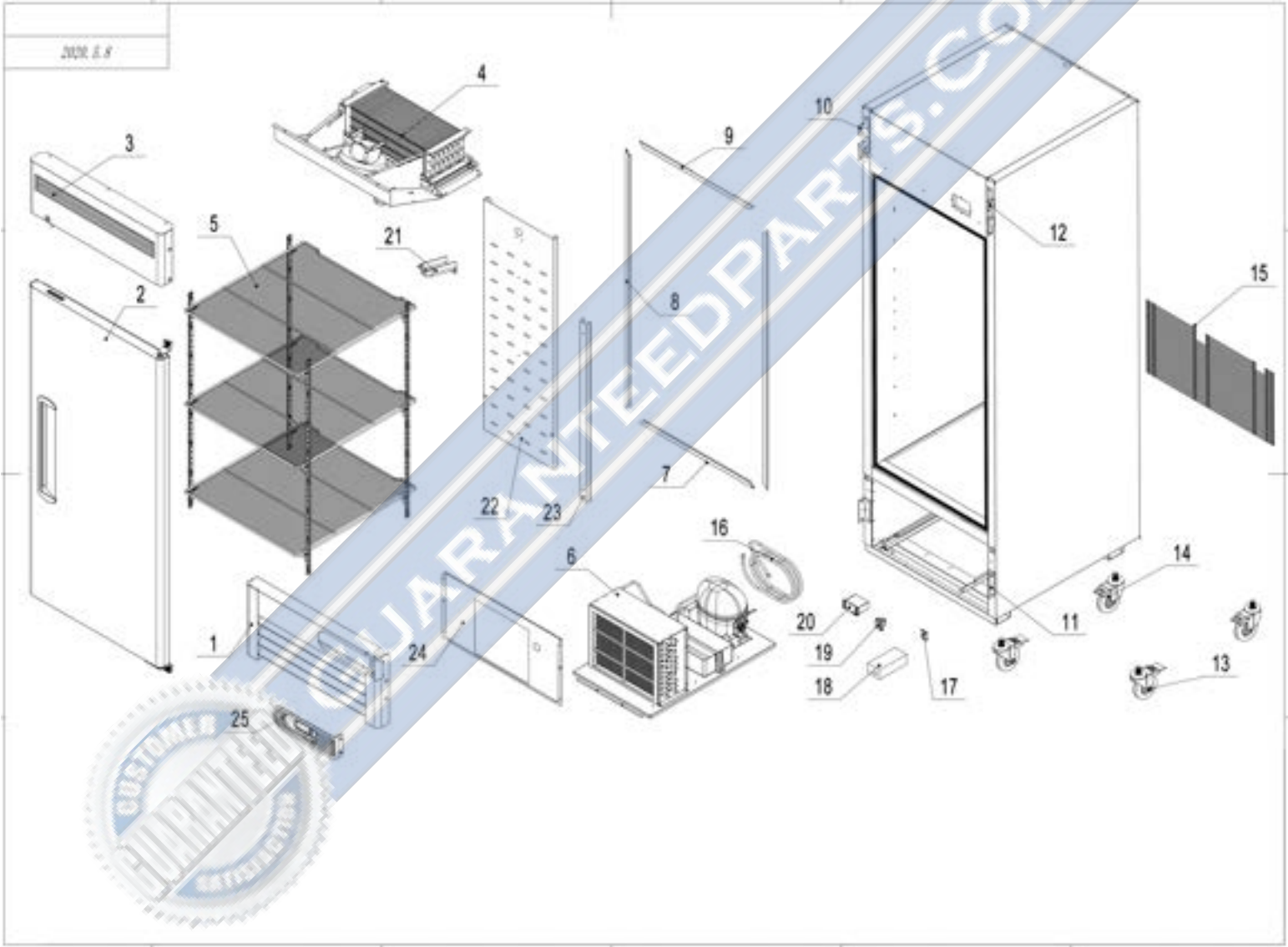


MIGALI

C-1RB-HC

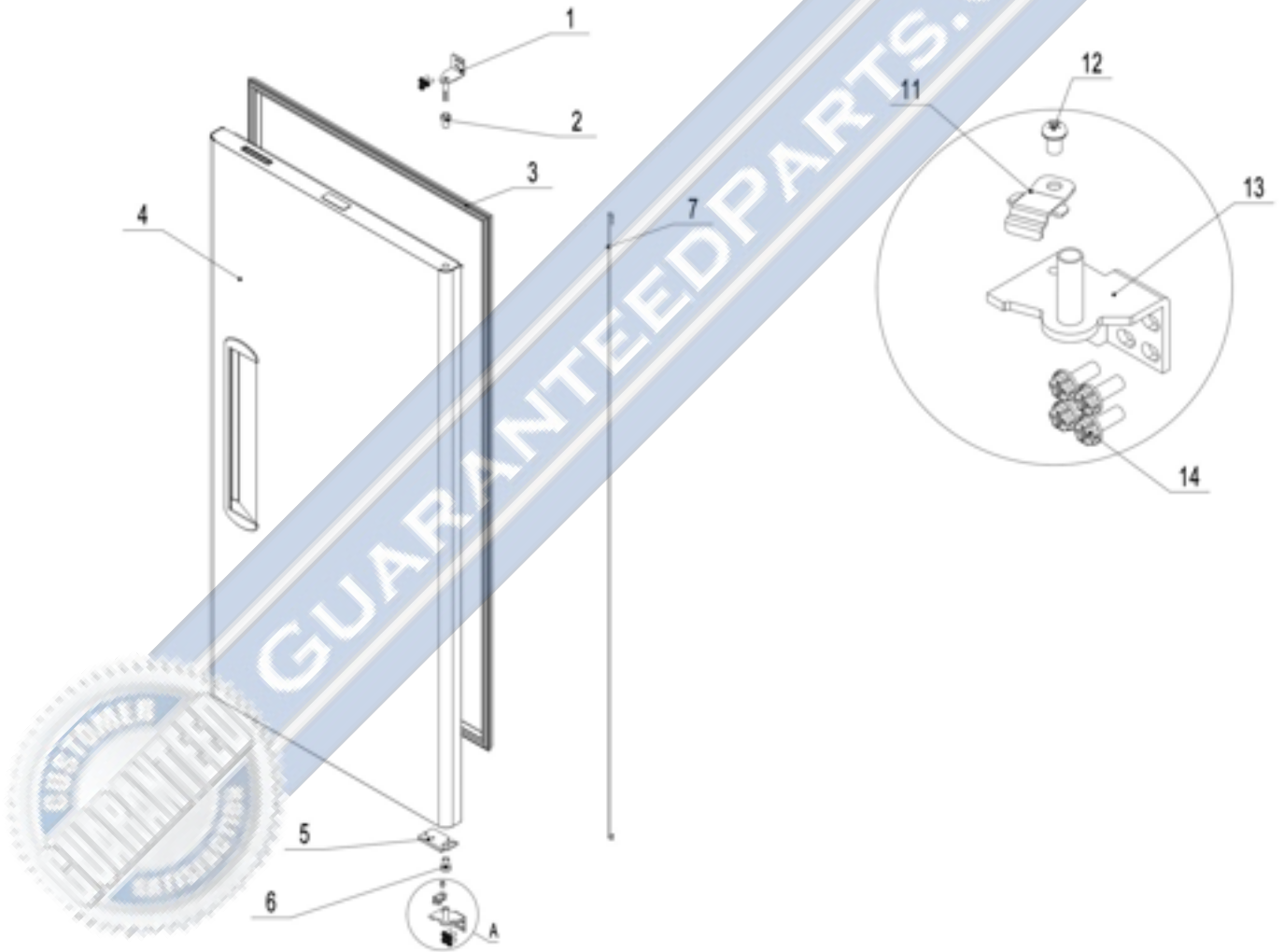


Part No.	SKU	Description
1	1759-1471	Bottom Panel New Design C-1FB-HC
7	1759-778	Bottom Frame Cover
8	1759-774	Left-Right Frame Cover
9	1759-777	Top Frame Cover
10	1759-1922	Left-Top Fastener For Top Panel
11	1759-534	Fastener For Bottom Panel
12	1759-1923	Right-Top Fastener For Top Panel
13	1759-1243	Do Not Use Caster 4" Wheel With Brake
14	1759-945	4" Castor Without Brake
15	1759-715	Back Bottom Barrier
16	1759-302	Suction Pipe(B)[115V] C-23RM
18	1759-710	LED Power
19	1759-705	Power Switch
20	1759-1667	Digital Controller Carel Pzyds
20	1759-691	Digital Controller
21	1759-749	A Drain Protection
22	1759-1672	Back Wind Deflector / Back Wind Deflection Stent
23	1759-435	Back Wind Deflector Stents
25	1759-1472	Controller Panel Migali New Design
xxx	1759-764	Controller Bracket



2- Door Assembly

2020.5.8

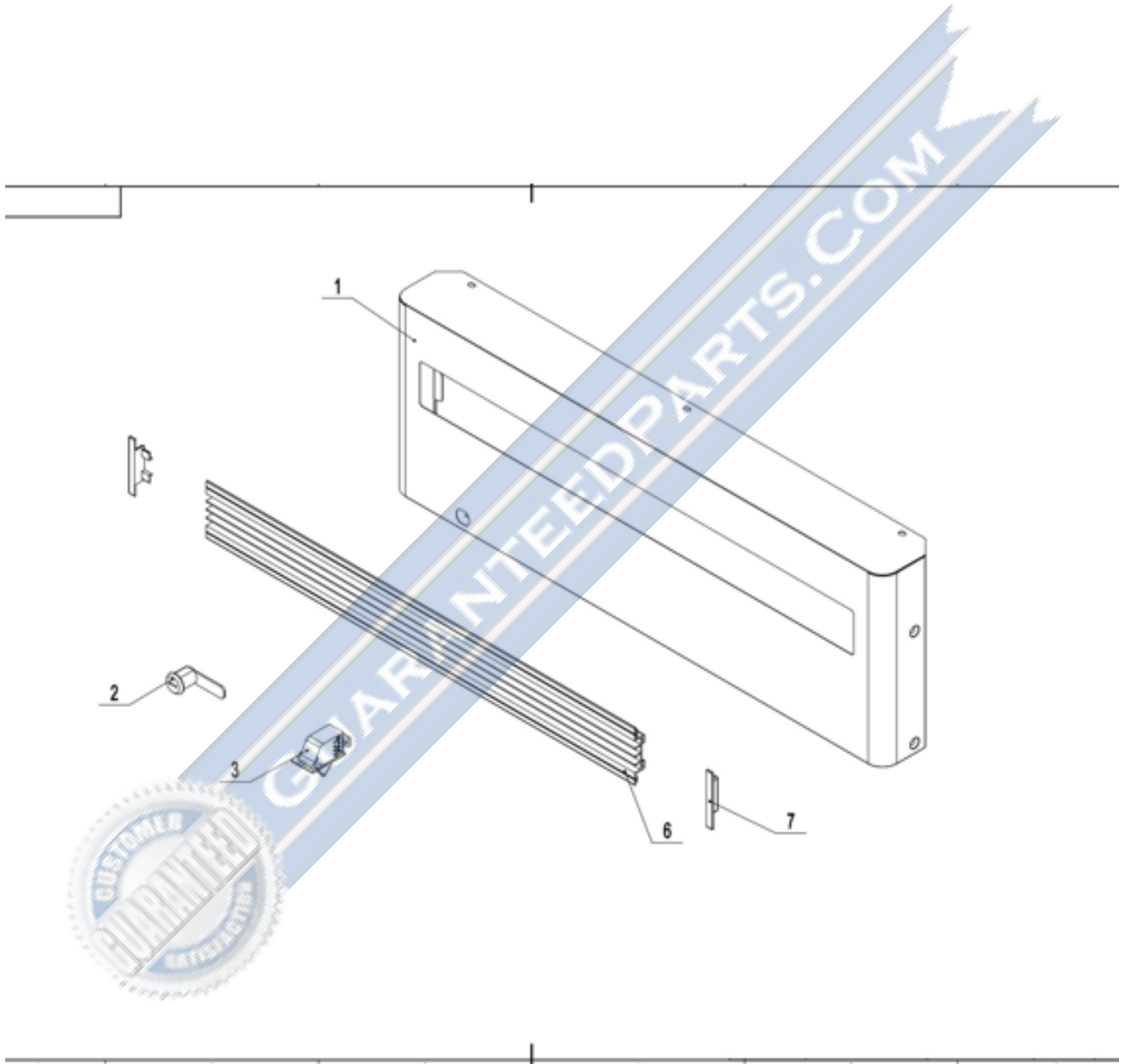


Part No.	SKU	Description
1	1759-815	Right-Top Hinge
2	1759-754	Door Shaft Sleeve-Top
3	1759-740	Door Gasket
4	1759-1470	Right Door C-1FB-HC, C-1RB-HC
5	1759-823	Door Brake
6	1759-755	Door Shaft Sleeve-Bottom
7	1759-837	Door Spring Bar
11	1759-829	Door Brake-Bottom
12	1759-1161	SS Screw M6X8
13	1759-817	Right-Bottom Hinge
14	1759-1166	Screw W Flat Washer & Lock Washer



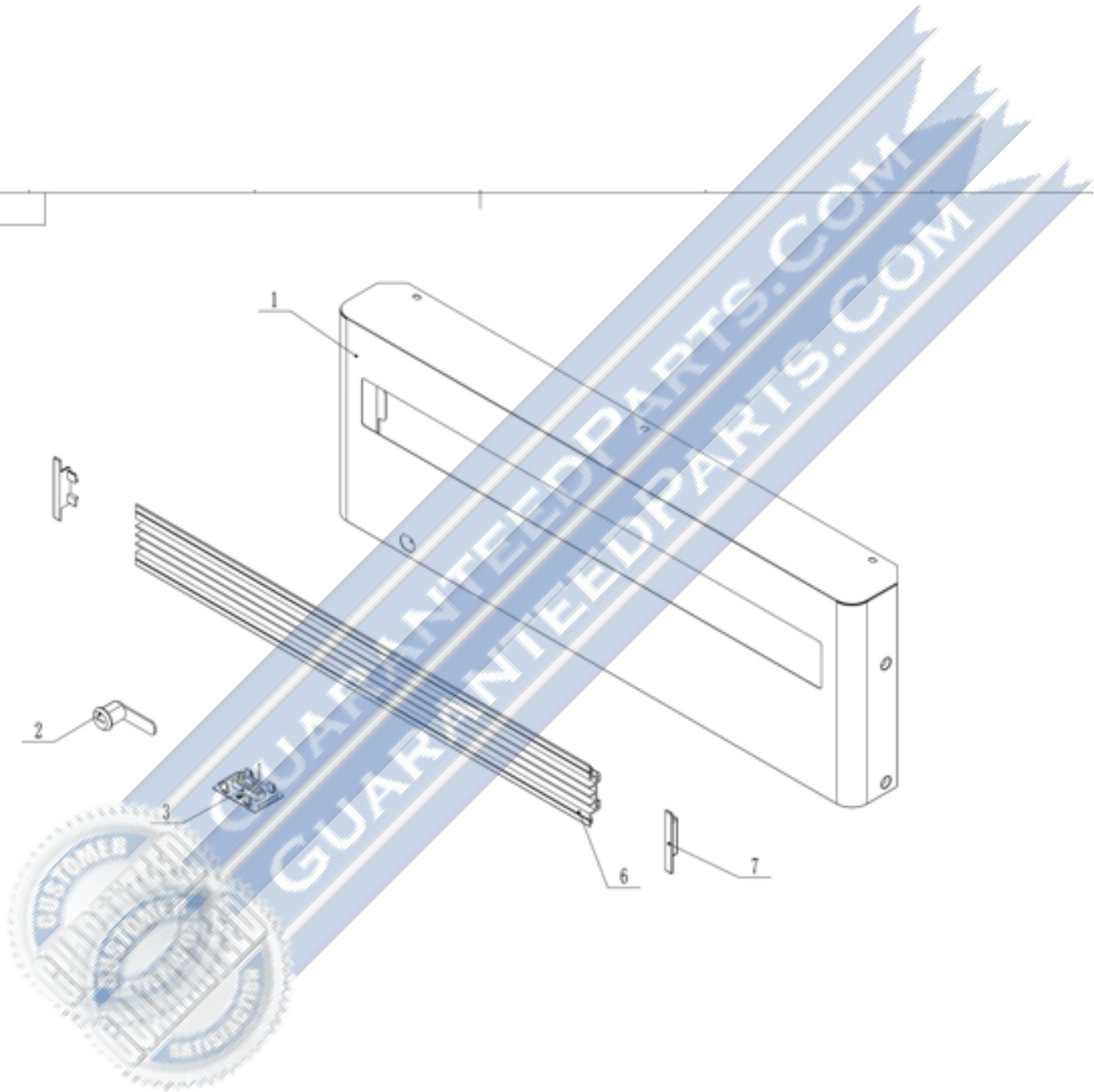
GUARANTEEDPARTS.COM

3- Motor Cover Assembly- Version 1



Part No.	SKU	Description
1	1759-1587	Top Panel
2	1759-813	Locker
3	1759-703	Door Switch
5	1759-1730	Digital Controller
6	1759-1334	Black Grille
7	1759-917	Black Grille Clip

3- Motor Cover Assembly- Version 2



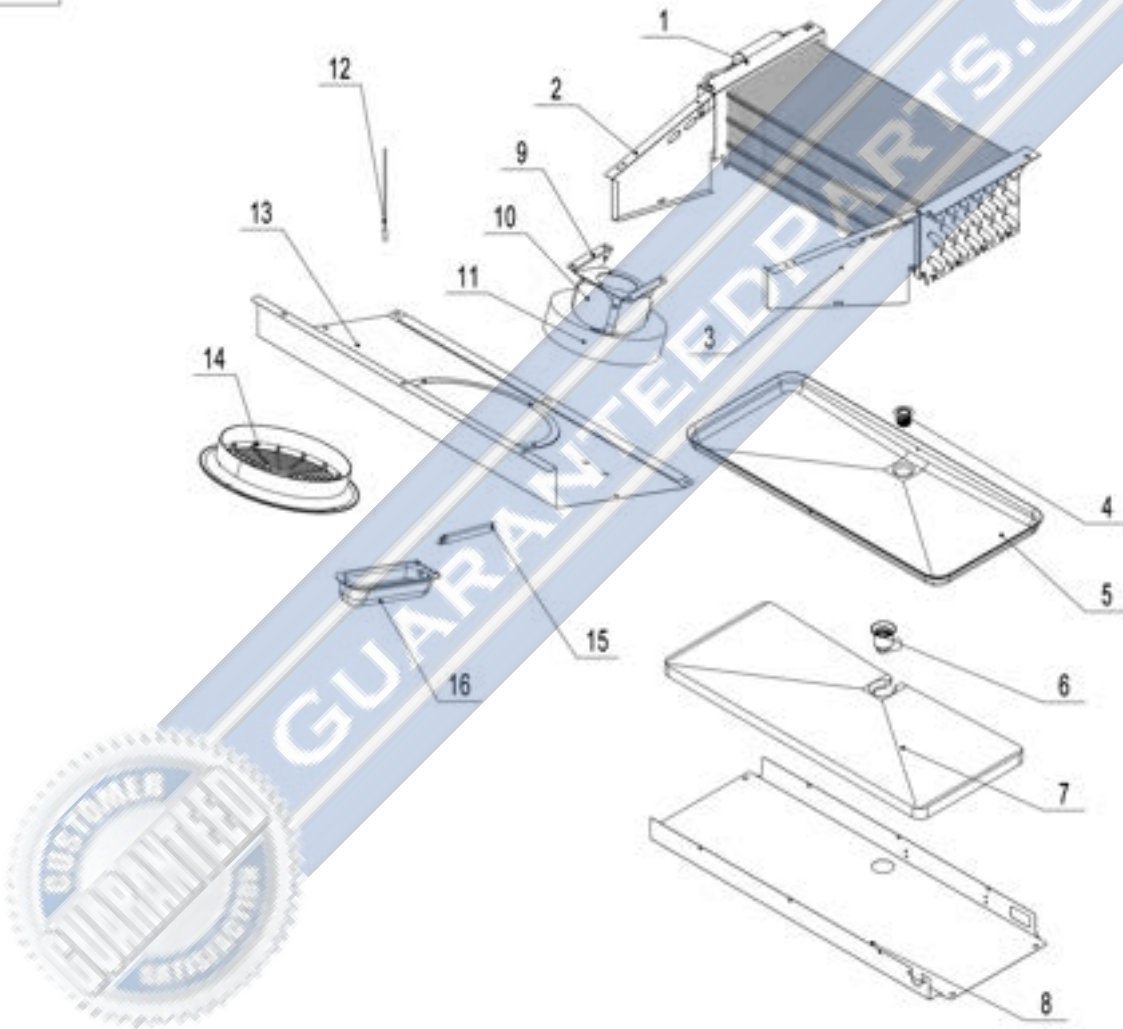
Part No.	SKU	Description
1	1759-1524	Top Panel New Design C-1FB-HC
2	1759-813	Locker
3	1759-1474	Gate Magnetic Switch C-2RB-HC
6	1759-2272	Black Grille C-1RB
7	1759-2275	Black Grille Chip C-1RB



GUARANTEEDPARTS.COM

4- Evaporator Assembly

2020.5.8

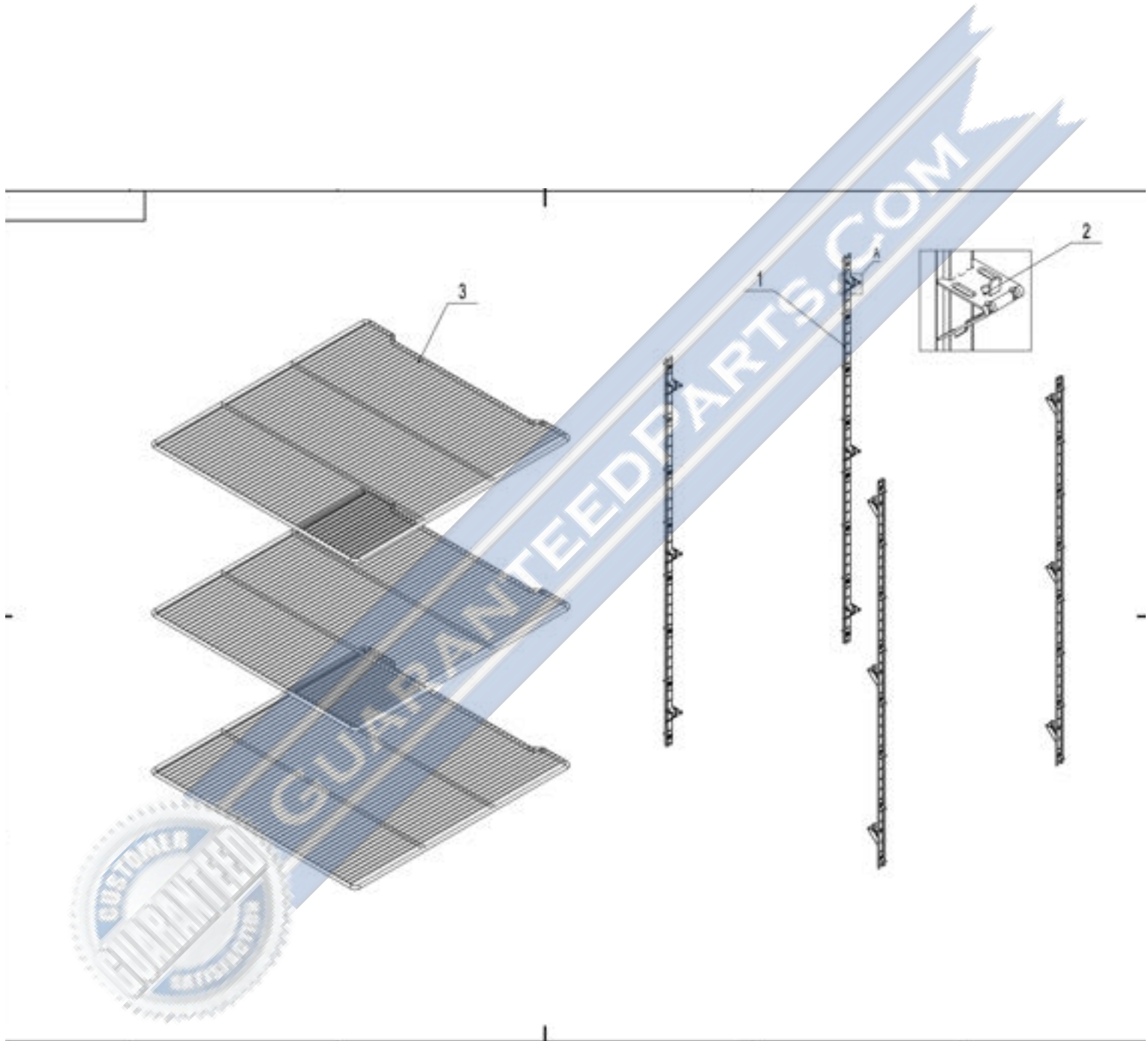


Part No.	SKU	Description
1	1759-640	Evaporator
2	1759-12	Left Air Lane Cover
3	1759-13	Right Air Lane Cover
4	1759-758	Drain Hose Connector B
5	1759-11	Drain Pan
6	1759-757	Drain Hose Connector A
7	1759-845	Drain Pan Foam
8	1759-2276	Drain Pan Cover C-1RB
9	1759-15	Evap Fan Bracket
10	1759-686	Evap Fan Motor
11	1759-681	Evap Fan Blade
12	1759-697	Room Sensor Probe
13	1759-1993	Evap Front Cover
14	1759-748	Evap Fan Motor Cover
15	1759-701	Lamp
16	1759-759	Lamp Cover



GUARANTEED PARTS.COM

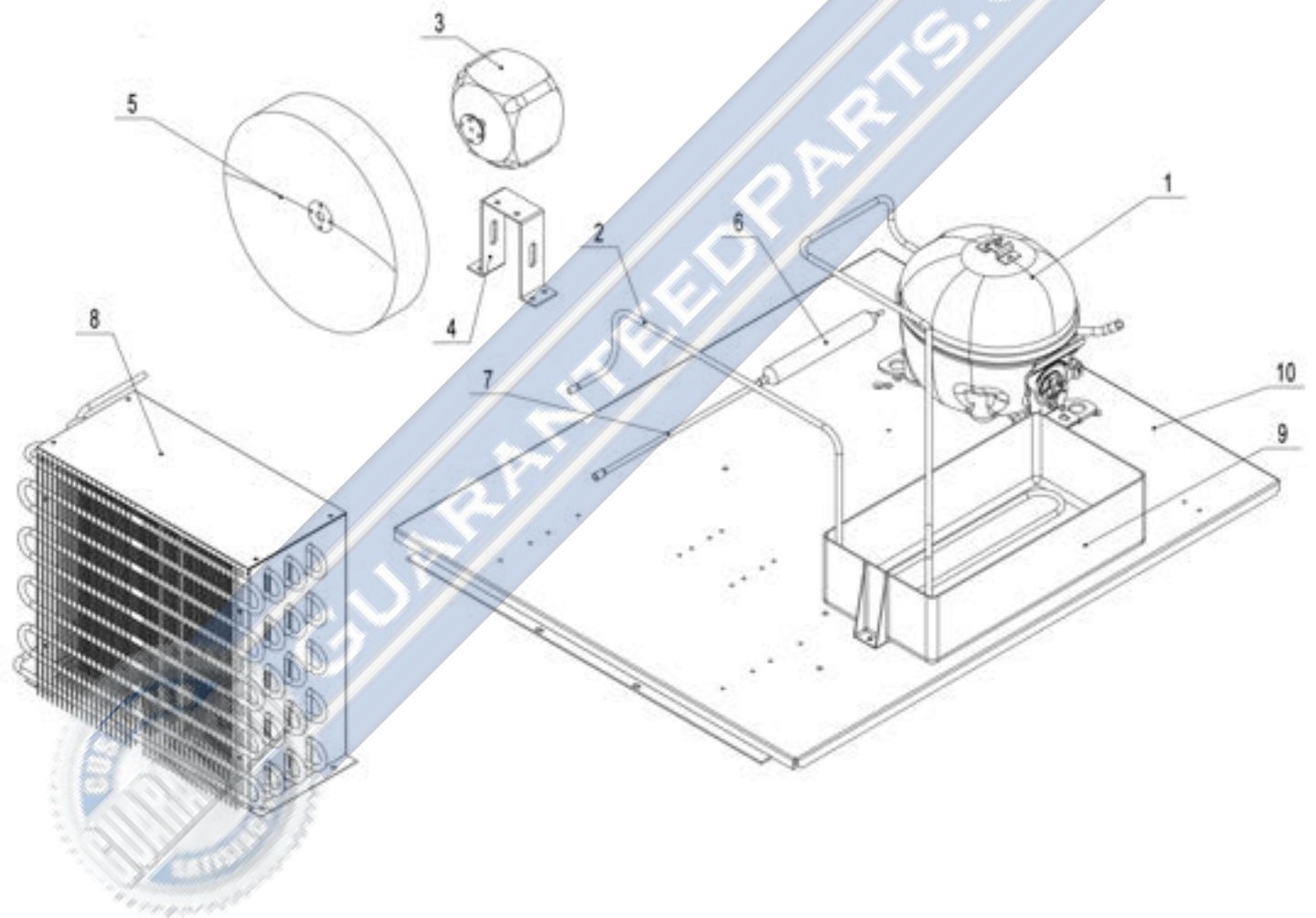
5- Shelf Assembly



Part No.	SKU	Description
1	1759-483	Pilaster For Shelf
2	1759-04	Shelf Support Clip
3	1759-1072	Shelf



6- Condensing Unit Assembly



Part No.	SKU	Description
1	1759-1746	Compressor Cubigel Nut35Nr1,1.
2	1759-669	High Pressure Coil
3	1759-687	Condenser Fan Motor
4	1759-497	Condenser Fan Bracket
5	1759-683	Condenser Fan Blade
6	1759-657	Dry Filter
7	1759-670	Connecting Coil to Condenser
8	1759-652	Condenser
9	1759-792	Plastic Drain Pan
10	1759-2231	Compressor Board C-1FB-HC



GUARANTEEDPARTS.COM