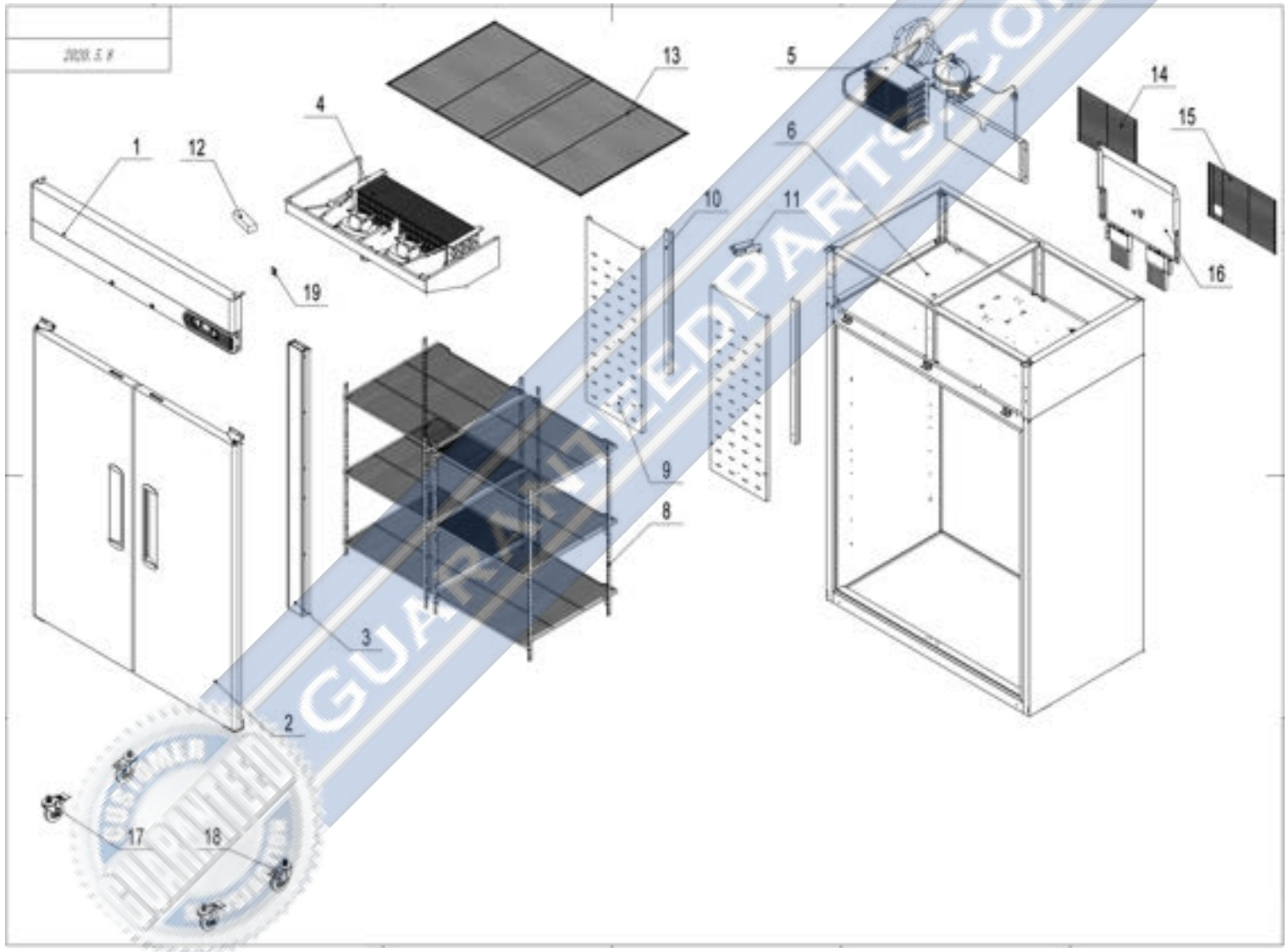


MIGALI

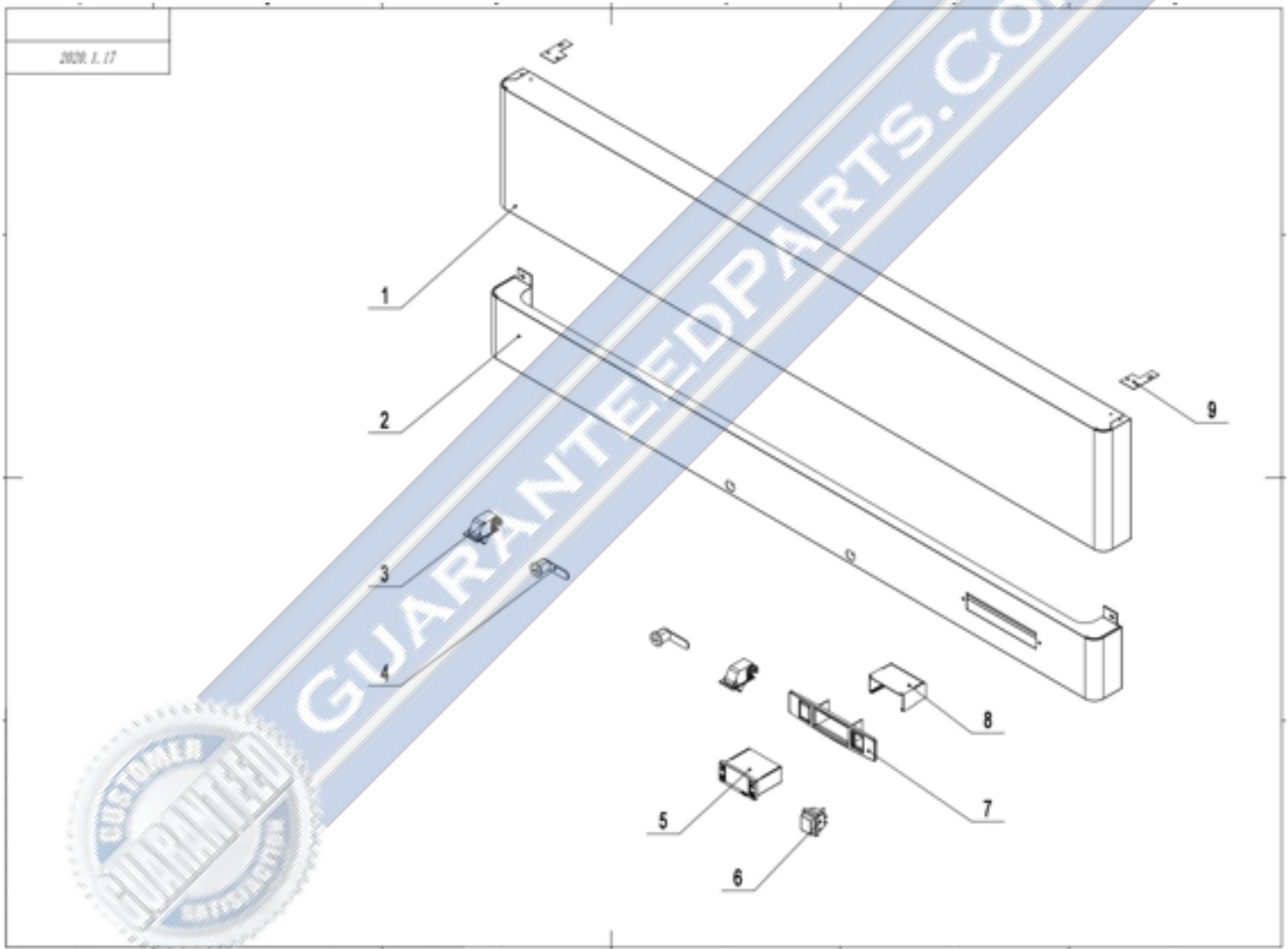
C-2R-HC



Part No.	SKU	Description
9	1759-454	Back Wind Deflector
10	1759-435	Back Wind Deflector Stents
11	1759-749	A Drain Protection
12	1759-710	LED Power
13	1759-2264	Left Top Net C-2R
14	1759-2254	Right Back Net C-2F-HC
15	1759-2255	Left Back Net C-2F-HC
17	1759-1243	Do Not Use Caster 4" Wheel With Brake
18	1759-945	4" Castor Without Brake
19	1759-1670	Led Controller C-1R-HC



1- Motor Cover Assembly- Version 1

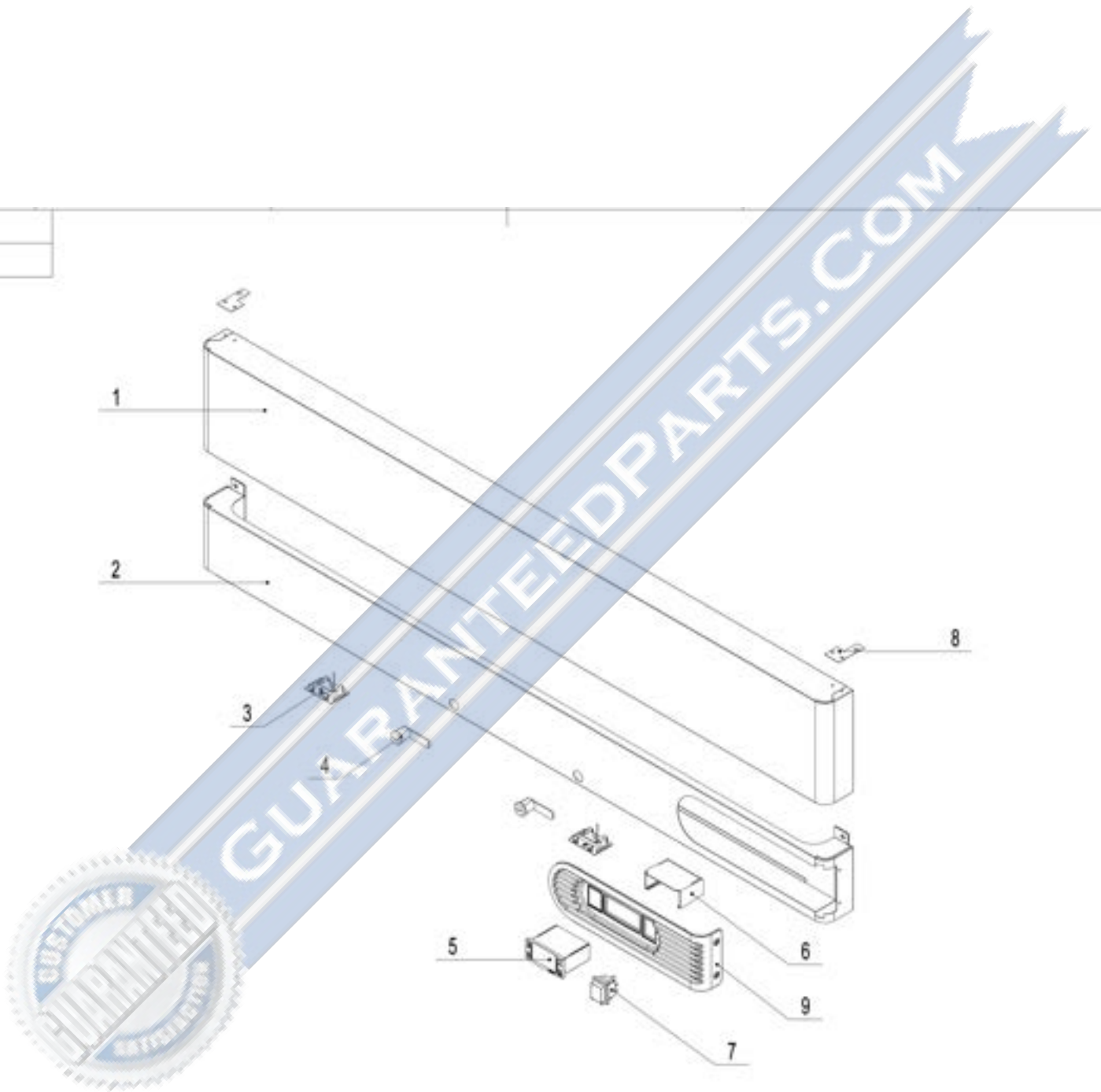


Part No.	SKU	Description
9	1759-463	Fastener For Top Panel
NS1	1759-464	Top Fixing Rack



1- Motor Cover Assembly- Version 2

10201.5. #

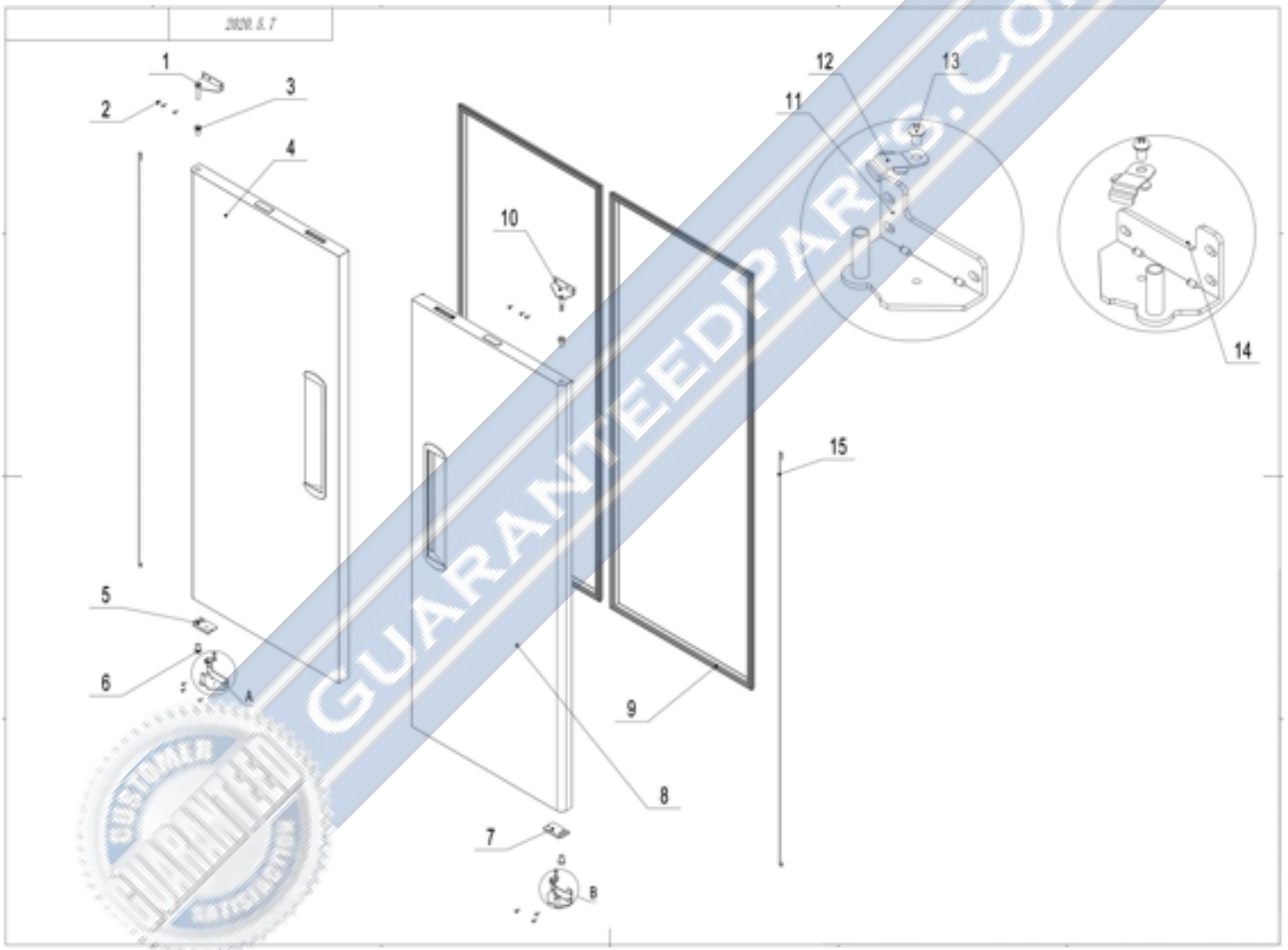


Part No.	SKU	Description
1	1759-1774	Front Top Panel C-2F-HC
2	1759-1517	Front Top Panel-Bottom New Design
3	1759-2228	Gate Magnetic Switch C-10RM
4	1759-813	Locker
5	1759-1667	Digital Controller Carel Pzyds
6	1759-694	Controller Cover
7	1759-705	Power Switch
8	1759-463	Fastener For Top Panel
9	1759-1472	Controller Panel Migali New Design



GUARANTEEDPARTS.COM

2- Door Assembly



Part No.	SKU	Description
1	1759-825	Left-Top Hinge
2	1759-874	SS Screw M5x12
3	1759-754	Door Shaft Sleeve-Top
4	1759-1483	Left Door New Design
5	1759-824	Door Brake-Left
6	1759-755	Door Shaft Sleeve-Bottom
7	1759-823	Door Brake
8	1759-1482	Right Door New Design
9	1759-736	Door Gasket
10	1759-826	Right-Top Hinge
11	1759-827	Left-Bottom Hinge
12	1759-829	Door Brake-Bottom
13	1759-1161	SS Screw M6X8
14	1759-828	Right-Bottom Hinge
15	1759-838	Door Spring Bar



GUARANTEED PARTS.COM

3- Mullion Assembly

2020.1.9



GUARANTEEDPARTS.COM



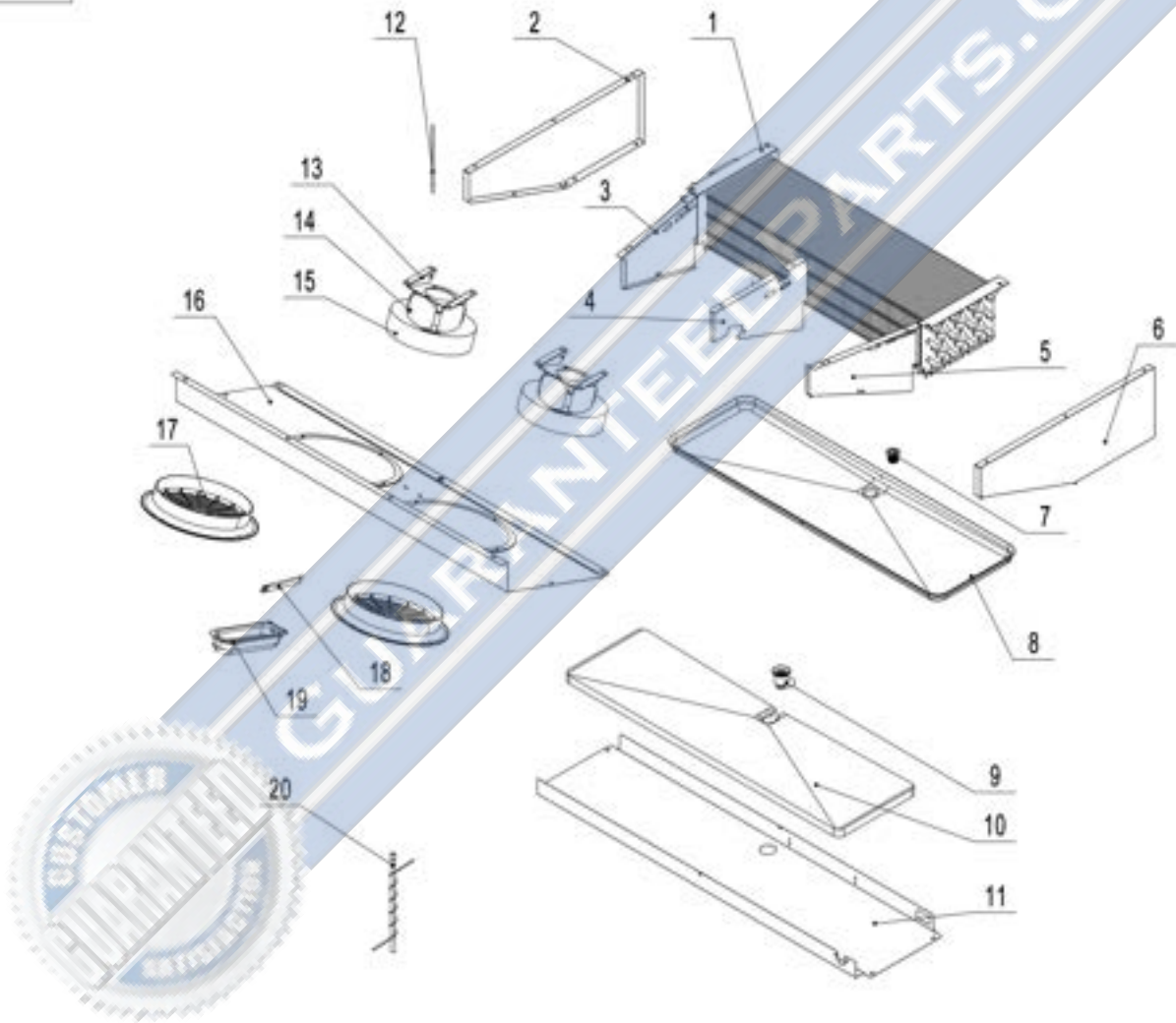
Part No.	SKU	Description
1	1759-825	Left-Top Hinge
2	1759-874	SS Screw M5x12
3	1759-754	Door Shaft Sleeve-Top
4	1759-1483	Left Door New Design
5	1759-824	Door Brake-Left



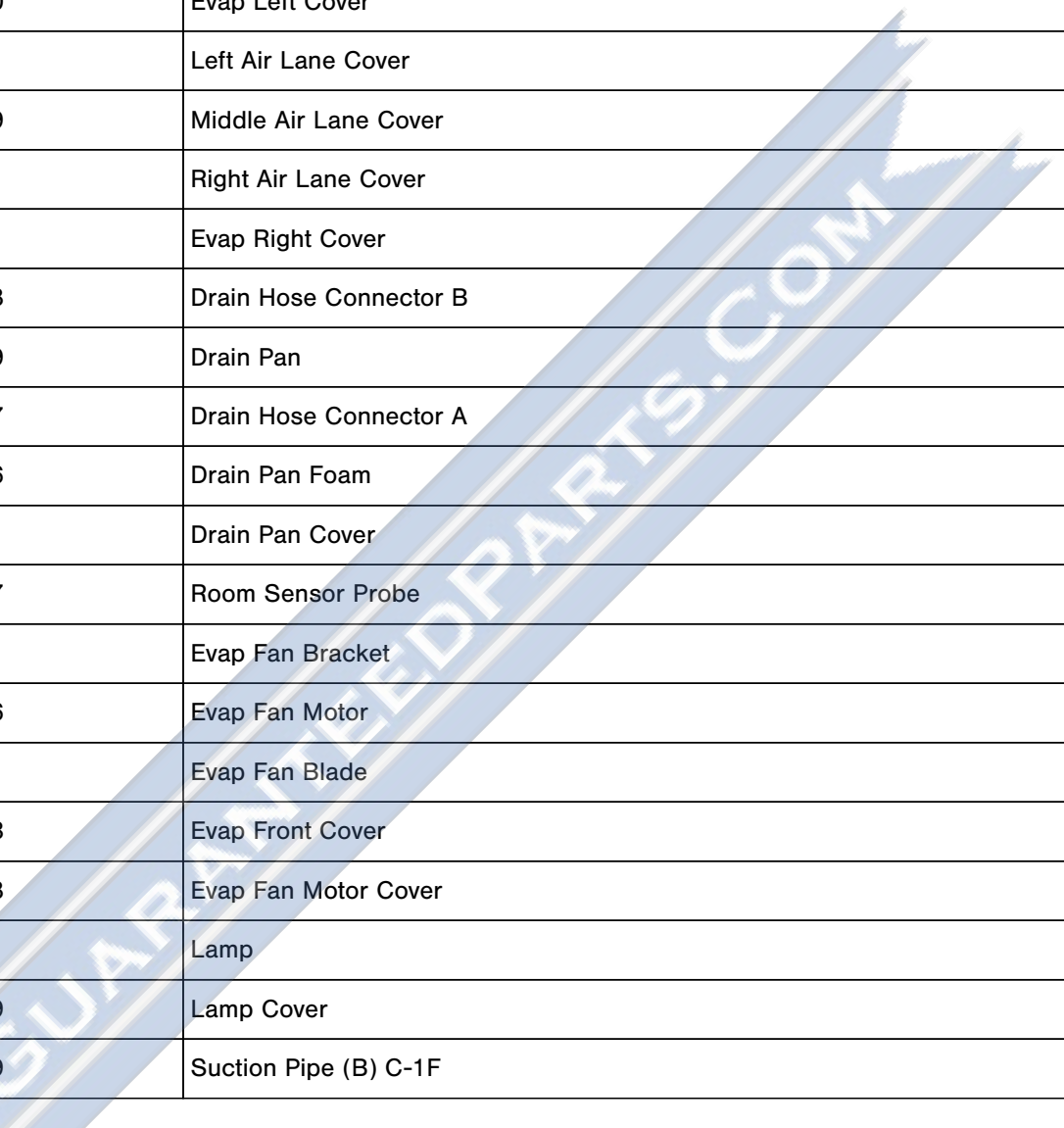
GUARANTEEDPARTS.COM

4- Evaporator Assembly

2020.5.7

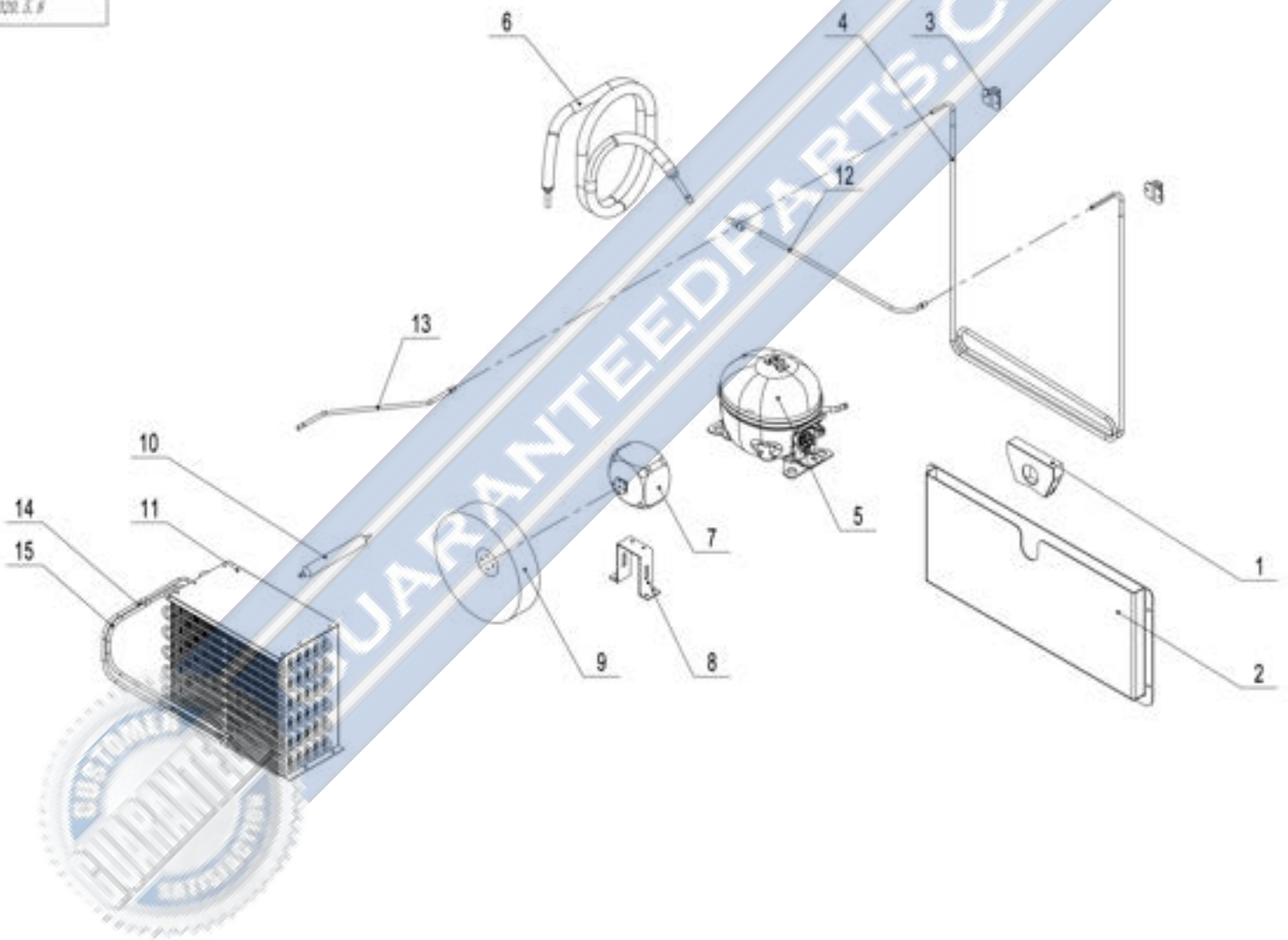


Part No.	SKU	Description
1	1759-641	Evaporator
2	1759-460	Evap Left Cover
3	1759-12	Left Air Lane Cover
4	1759-459	Middle Air Lane Cover
5	1759-13	Right Air Lane Cover
6	1759-461	Evap Right Cover
7	1759-758	Drain Hose Connector B
8	1759-469	Drain Pan
9	1759-757	Drain Hose Connector A
10	1759-846	Drain Pan Foam
11	1759-501	Drain Pan Cover
12	1759-697	Room Sensor Probe
13	1759-15	Evap Fan Bracket
14	1759-686	Evap Fan Motor
15	1759-681	Evap Fan Blade
16	1759-503	Evap Front Cover
17	1759-748	Evap Fan Motor Cover
18	1759-701	Lamp
19	1759-759	Lamp Cover
20	1759-289	Suction Pipe (B) C-1F



5- Condensing Unit Assembly

2020.5.8

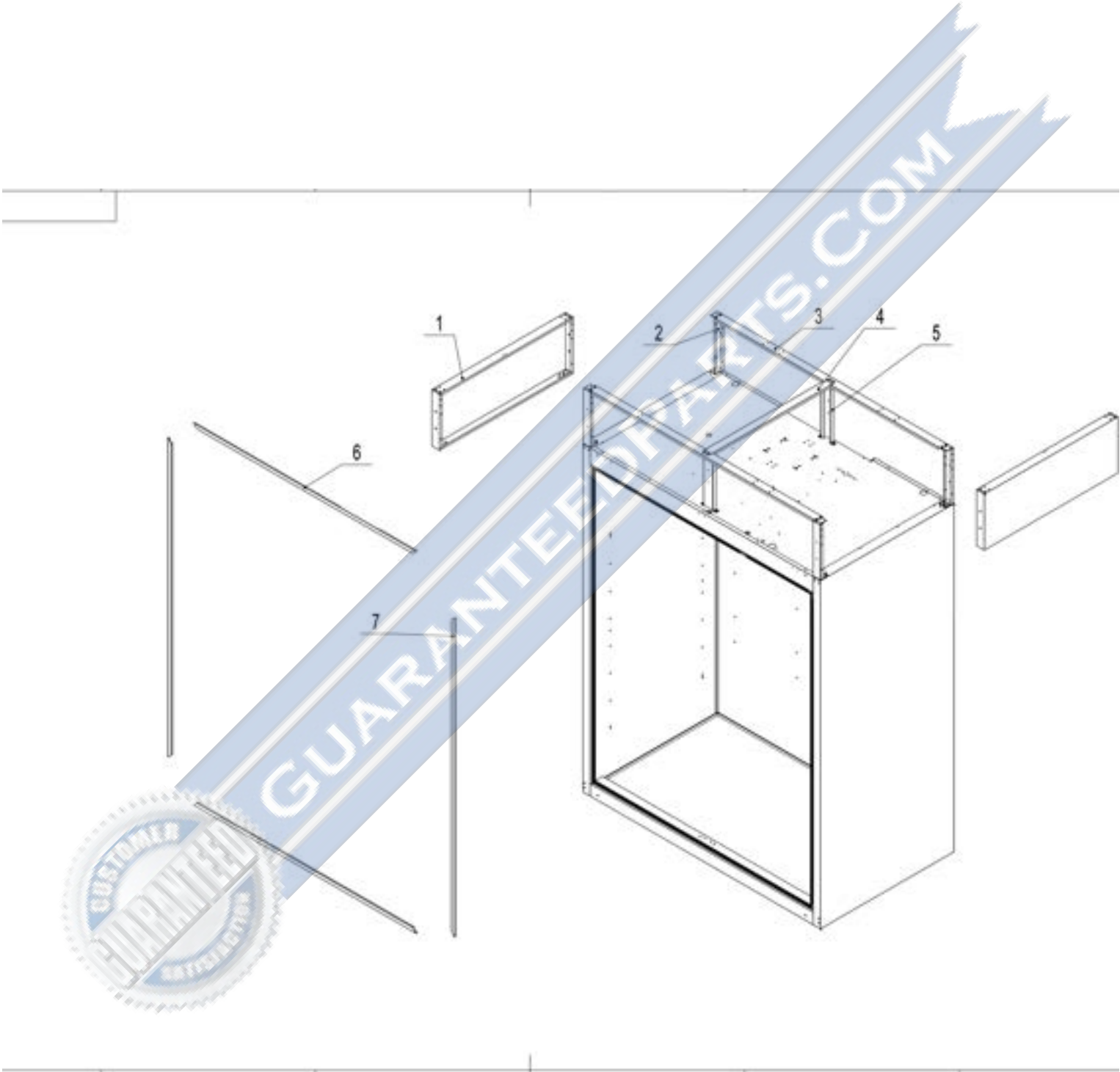


Part No.	SKU	Description
1	1759-747	Air Pressure Balance Device
2	1759-746	Back High Pressure Coil Pan
3	1759-804	Rubber Fixing Block R290 C-1F-HC
4	1759-664	High Pressure Coil
5	1759-1747	Compressor Cubigel Nut45Nr1
6	1759-300	Low Pressure Coil Back to Comp
7	1759-688	Condenser Fan
8	1759-497	Condenser Fan Bracket
9	1759-683	Condenser Fan Blade
10	1759-657	Dry Filter
11	1759-653	Condenser
12	1759-666	Connecting Coil From Compressor
13	1759-1839	Connecting Coil to Condenser
14	1759-2265	Connecting Coil To Pipe C-2R
15	1759-2266	Pipe To Connecting Coil



GUARANTEE PARTS.COM

6- Cabinet Assembly

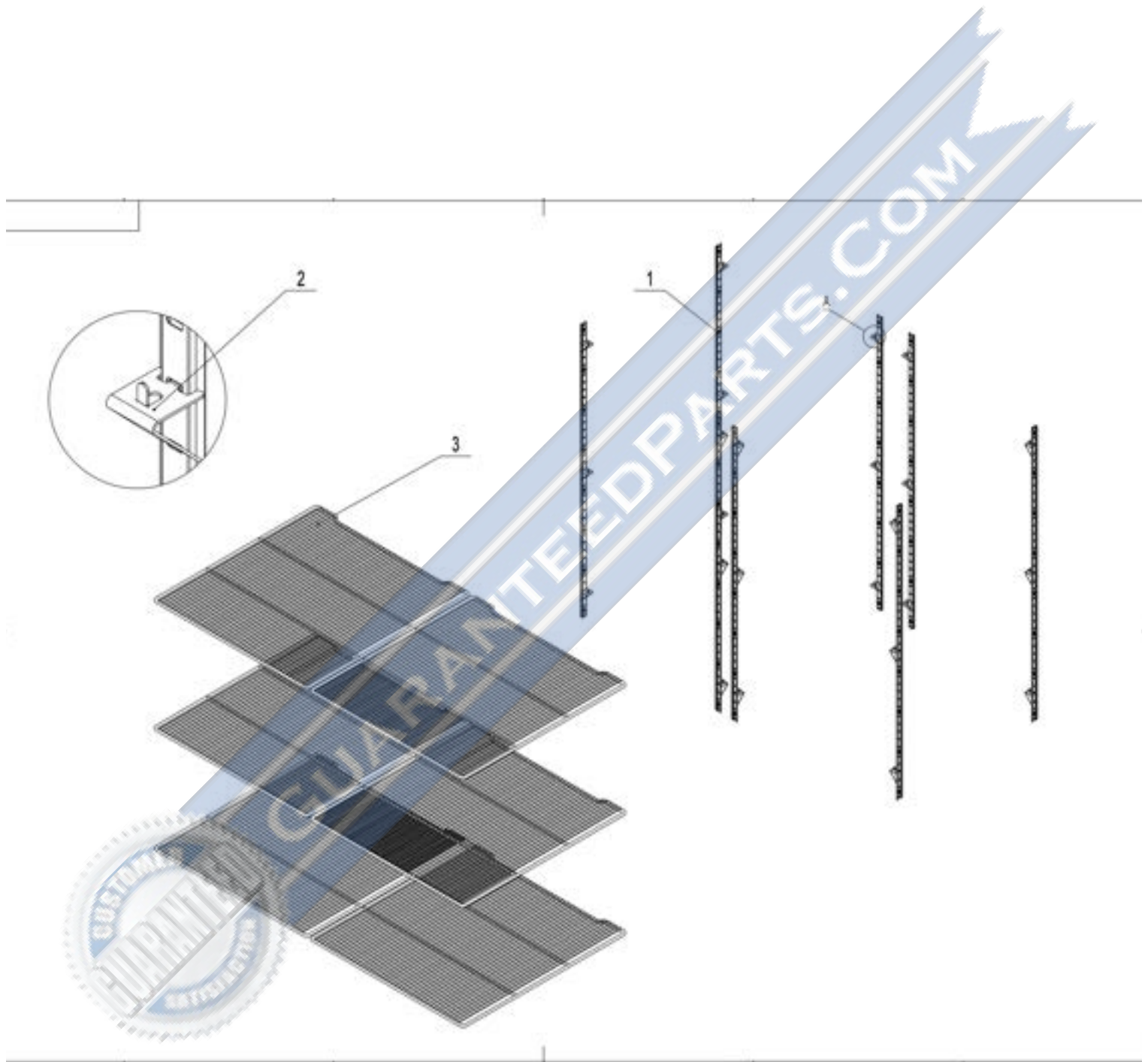


Part No.	SKU	Description
1	1759-2267	Top Side Panel C-2R
2	1759-09	Side Panel Frame
3	1759-467	Top Long Fixing Rack
4	1759-468	Top Short Fixing Rack
5	1759-466	Top Fixing Rack R290 C-2F-HC
6	1759-769	Top-Bottom Frame Cover
7	1759-767	Left-Right Frame Cover

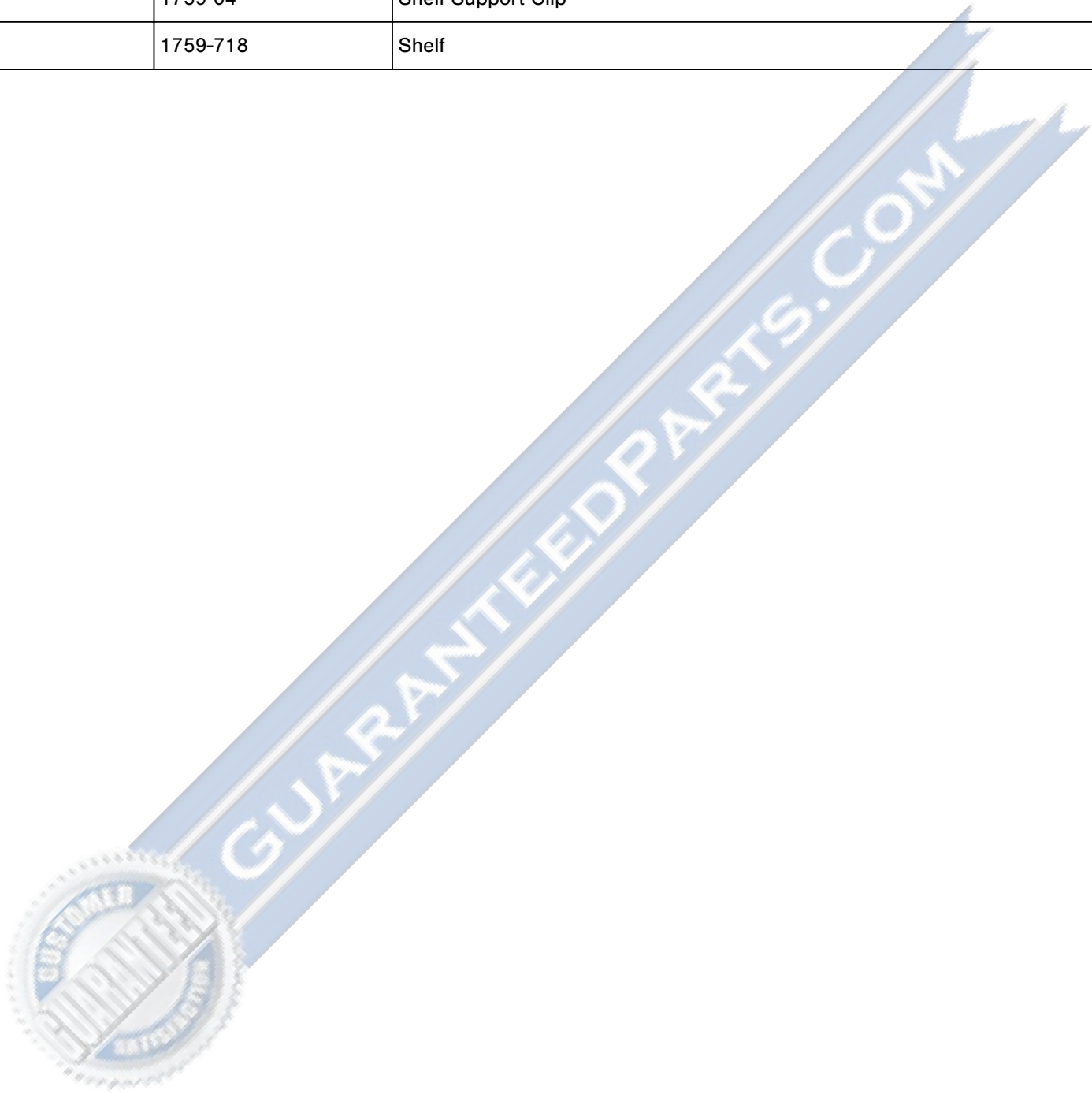


GUARANTEEDPARTS.COM

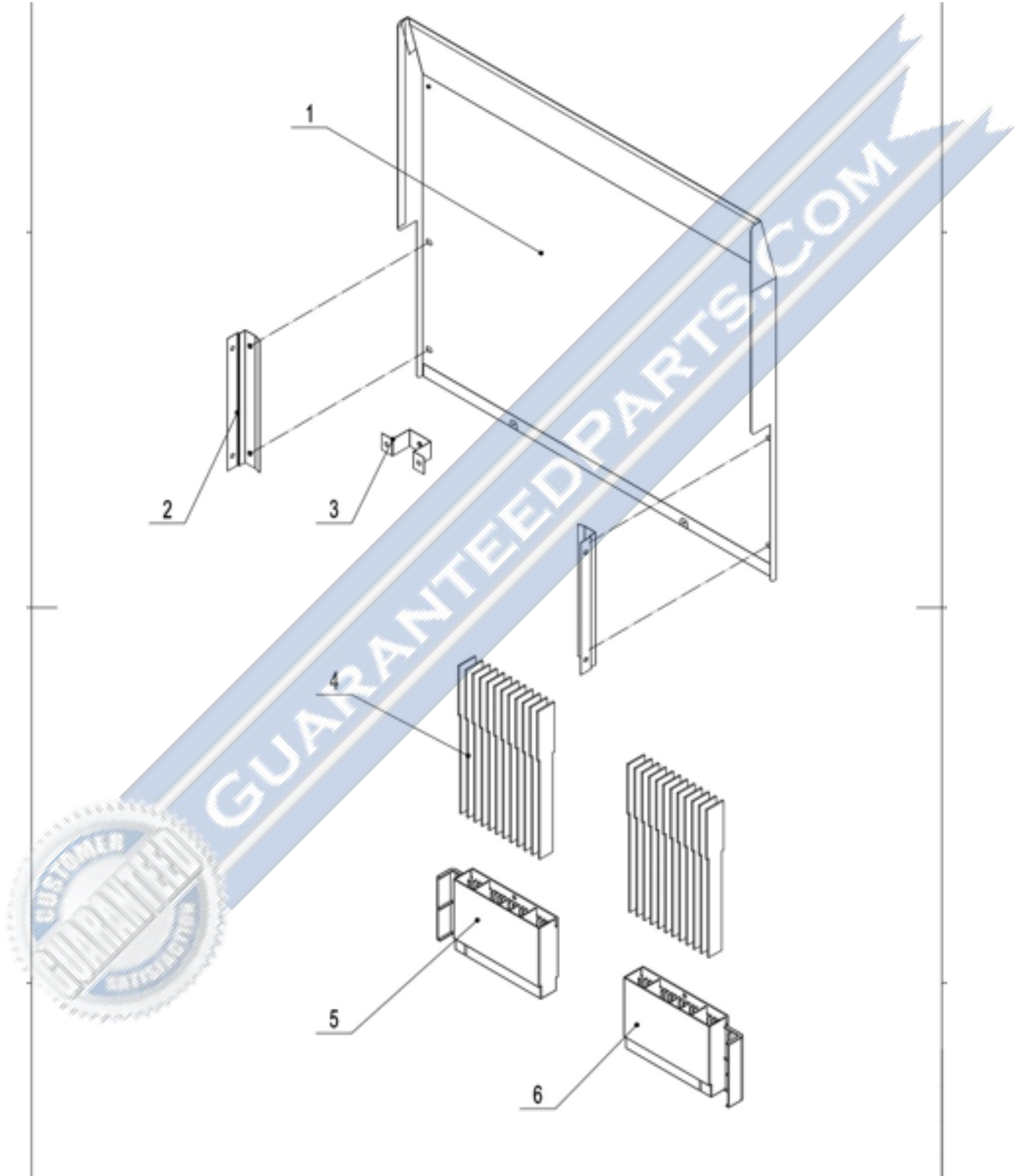
8- Shelf Assembly



Part No.	SKU	Description
1	1759-483	Pilaster For Shelf
2	1759-04	Shelf Support Clip
3	1759-718	Shelf



16- Water Evaporation Assembly



Part No.	SKU	Description
1	1759-1416	Air Deflector (Located Back Of Unit)
2	1759-1417	Side Fixing Plate For Air Deflector
3	1759-1418	Middle Fixing Plate For Air Deflector
4	1759-1419	AbsoRBent Paper 24Pcs Per Pack
5	1759-1420	Right Bracket For Absorbent Paper
6	1759-1421	Left Bracket For Absorbent Paper



GUARANTEEDPARTS.COM