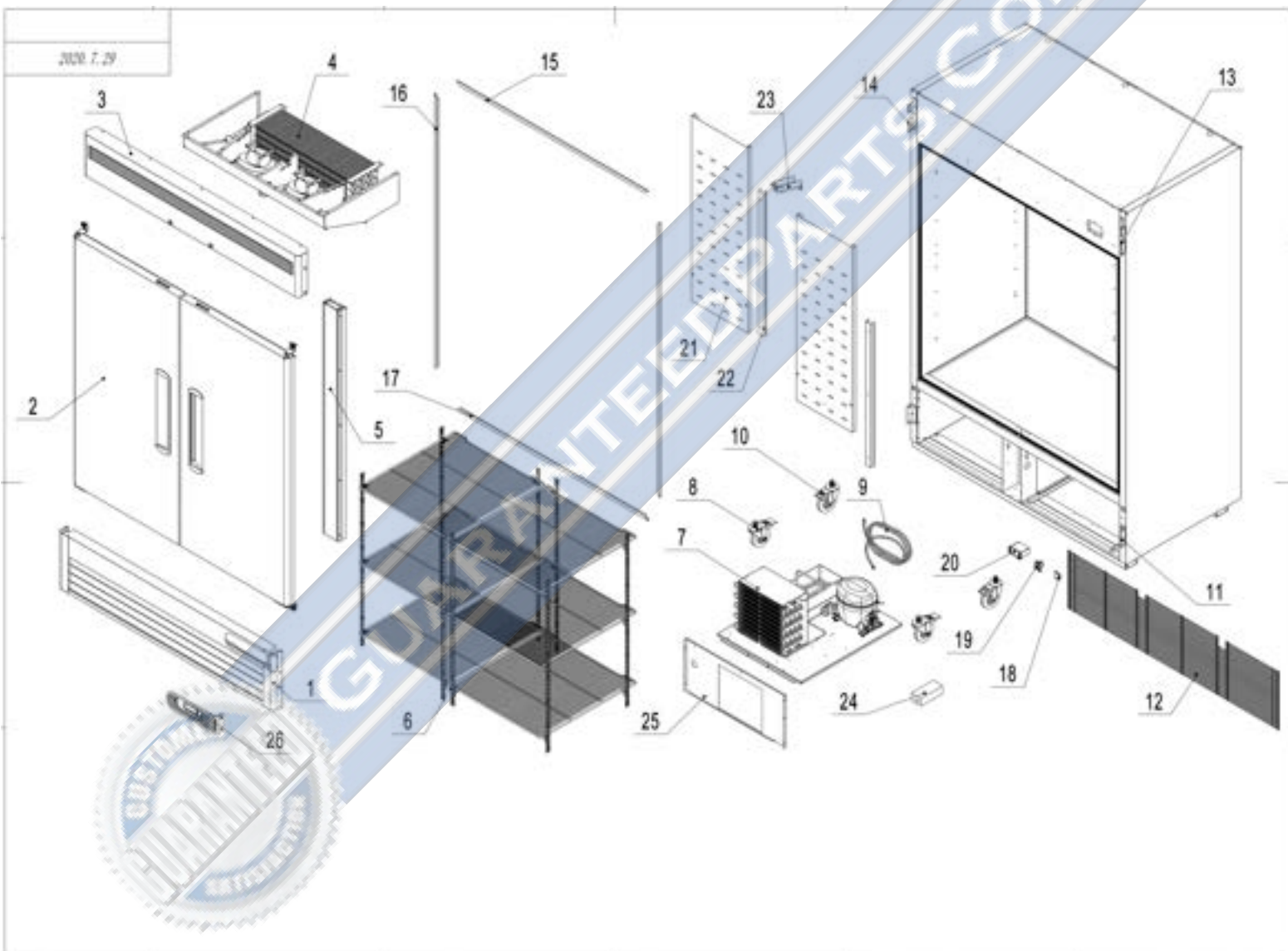
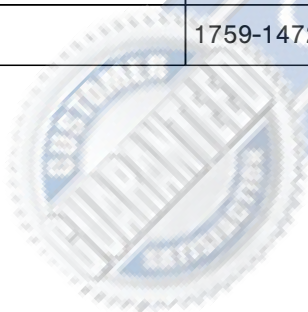


MIGALI

C-2RB-HC

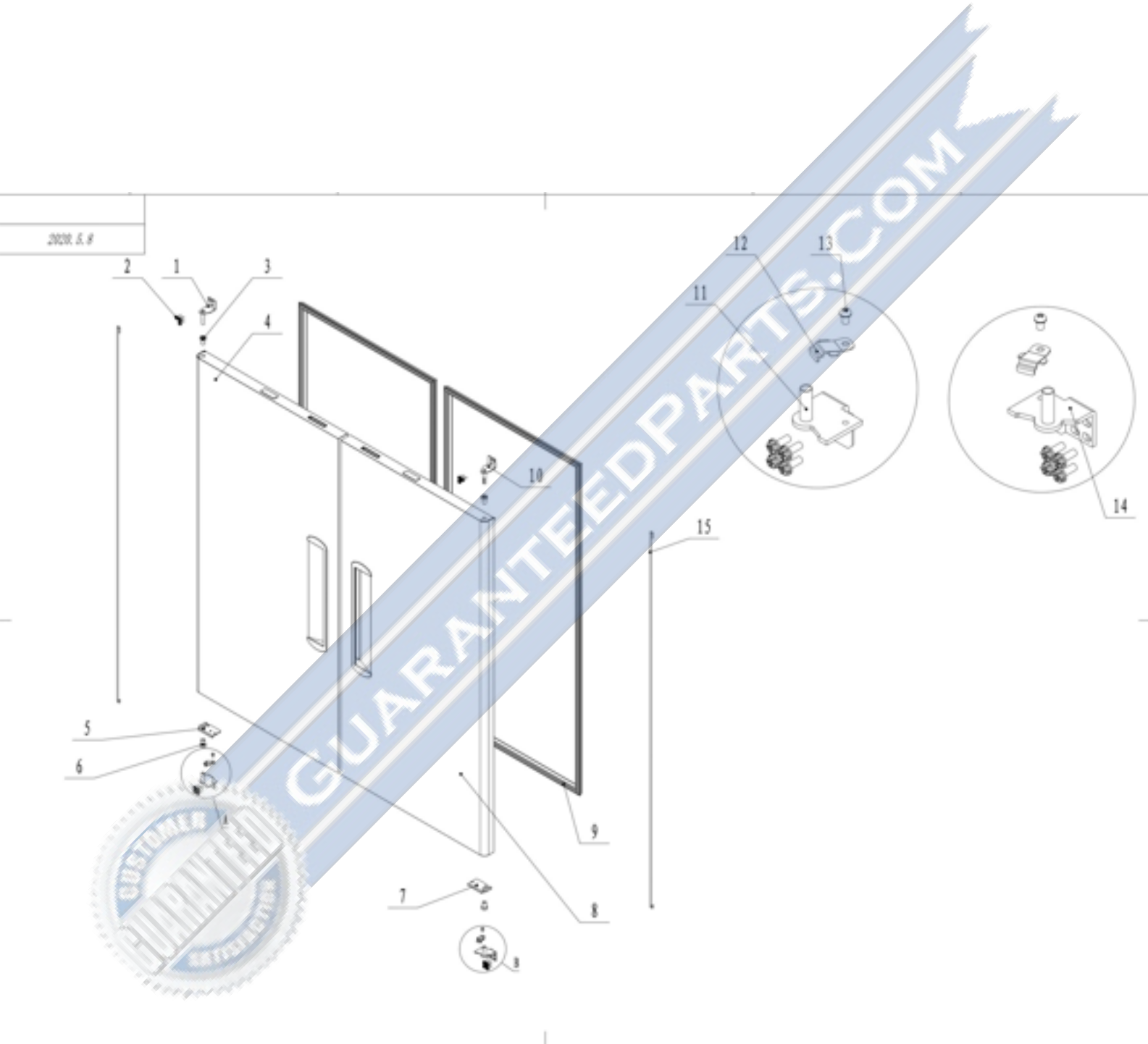


Part No.	SKU	Description
1	1759-1475	Bottom Panel New Design C-2FB-HC
8	1759-1243	Do Not Use Caster 4" Wheel With Brake
9	1759-305	Low Pressure Coil Back to Comp
10	1759-945	4" Castor Without Brake
11	1759-534	Fastener For Bottom Panel
12	1759-731	Back Bottom Barrier
13	1759-1923	Right-Top Fastener For Top Panel
14	1759-1922	Left-Top Fastener For Top Panel
15	1759-776	Top Frame Cover
16	1759-774	Left-Right Frame Cover
17	1759-775	Bottom Frame Cover R290 C-49RM-HC
19	1759-705	Power Switch
20	1759-1667	Digital Controller Carel Pzyds
21	1759-454	Back Wind Deflector
22	1759-435	Back Wind Deflector Stents
23	1759-1670	Led Controller C-1R-HC
23	1759-749	A Drain Protection
24	1759-710	LED Power
25	1759-531	Wind Deflector Unit
26	1759-1472	Controller Panel Migali New Design



GUARANTEED PARTS.COM

2- Door Assembly

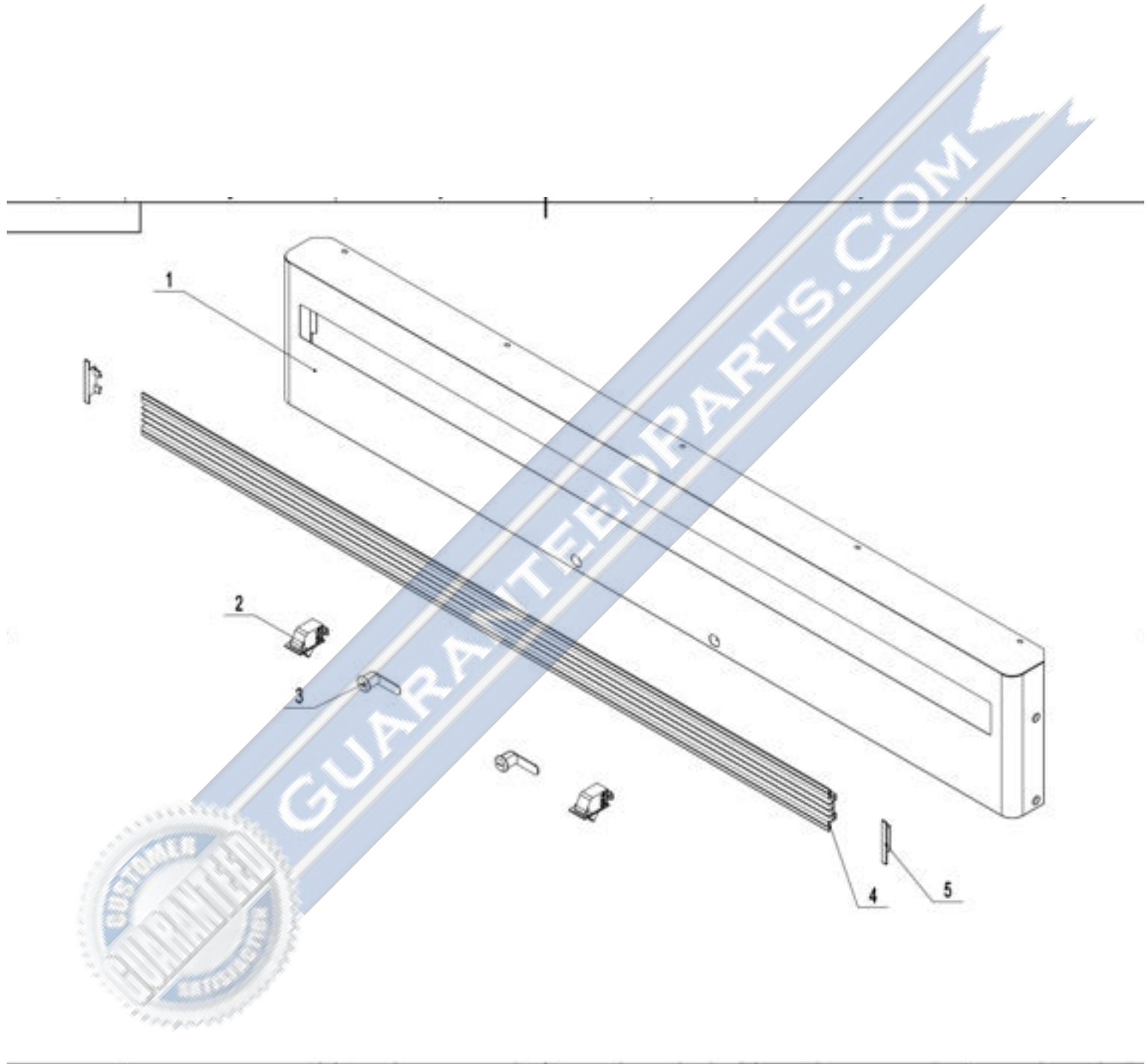


Part No.	SKU	Description
1	1759-816	Left-Top Hinge
2	1759-1166	Screw W Flat Washer & Lock Washer
3	1759-754	Door Shaft Sleeve-Top
4	1759-1476	Left Door C-2RB-HC, C-2FB-HC
5	1759-824	Door Brake-Left
6	1759-755	Door Shaft Sleeve-Bottom
7	1759-823	Door Brake
8	1759-1477	Right Door C-2FB-HC, C-2RB-HC
9	1759-740	Door Gasket
10	1759-815	Right-Top Hinge
11	1759-818	Left-Bottom Hinge
12	1759-829	Door Brake-Bottom
13	1759-1161	SS Screw M6X8
14	1759-817	Right-Bottom Hinge
15	1759-837	Door Spring Bar



GUARANTEED PARTS.COM

3- Motor Cover Assembly- Version 1

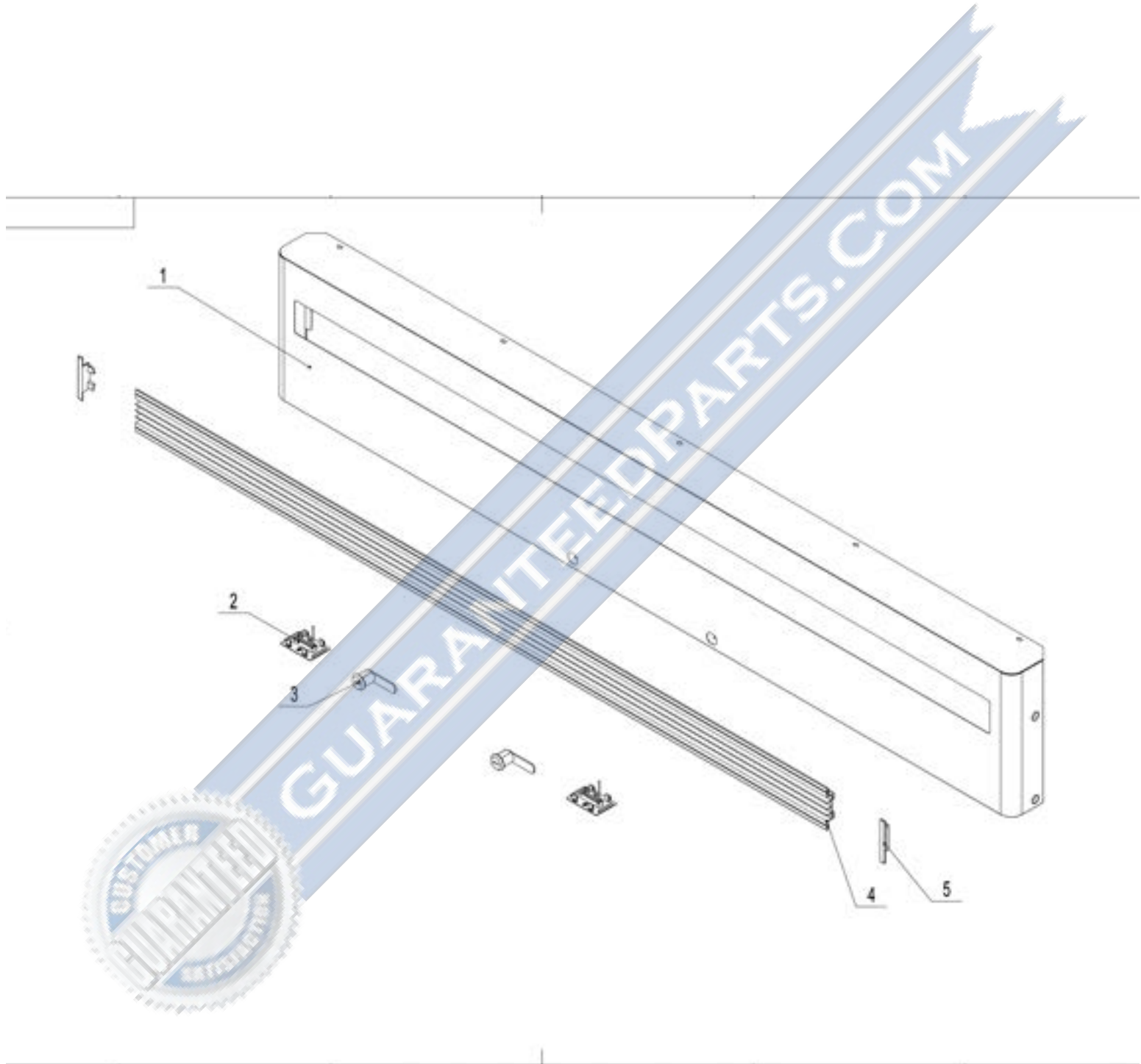


Part No.	SKU	Description
1	1759-1265	Top Panel
2	1759-703	Door Switch
3	1759-813	Locker
4	1759-1995	Black Grille
5	1759-917	Black Grille Clip



GUARANTEEDPARTS.COM

3- Motor Cover Assembly- Version 2

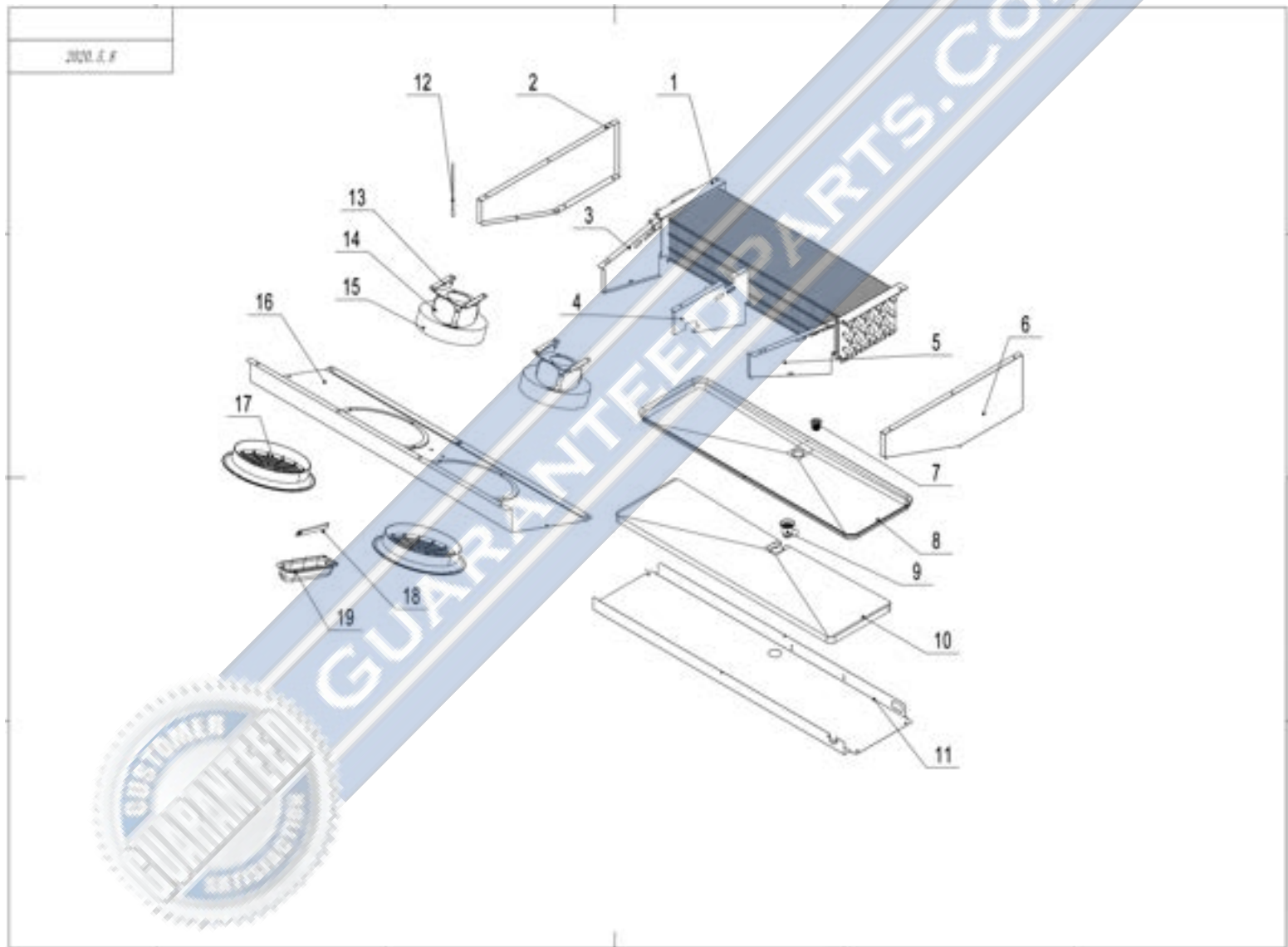


Part No.	SKU	Description
1	1759-1522	Top Panel New Design C-2FB-HC
2	1759-1474	Gate Magnetic Switch C-2RB-HC
3	1759-813	Locker
4	1759-2278	Black Grille C-2FB
5	1759-2275	Black Grille Chip C-1RB



GUARANTEEDPARTS.COM

4- Evaporator Assembly



Part No.	SKU	Description
1	1759-641	Evaporator
2	1759-460	Evap Left Cover
3	1759-12	Left Air Lane Cover
4	1759-459	Middle Air Lane Cover
5	1759-13	Right Air Lane Cover
6	1759-461	Evap Right Cover
7	1759-758	Drain Hose Connector B
8	1759-469	Drain Pan
9	1759-757	Drain Hose Connector A
10	1759-846	Drain Pan Foam
11	1759-501	Drain Pan Cover
12	1759-697	Room Sensor Probe
13	1759-15	Evap Fan Bracket
14	1759-686	Evap Fan Motor
15	1759-681	Evap Fan Blade
16	1759-503	Evap Front Cover
17	1759-748	Evap Fan Motor Cover
18	1759-701	Lamp
19	1759-759	Lamp Cover



GUARANTEED PARTS.COM

5- Mullion Assembly

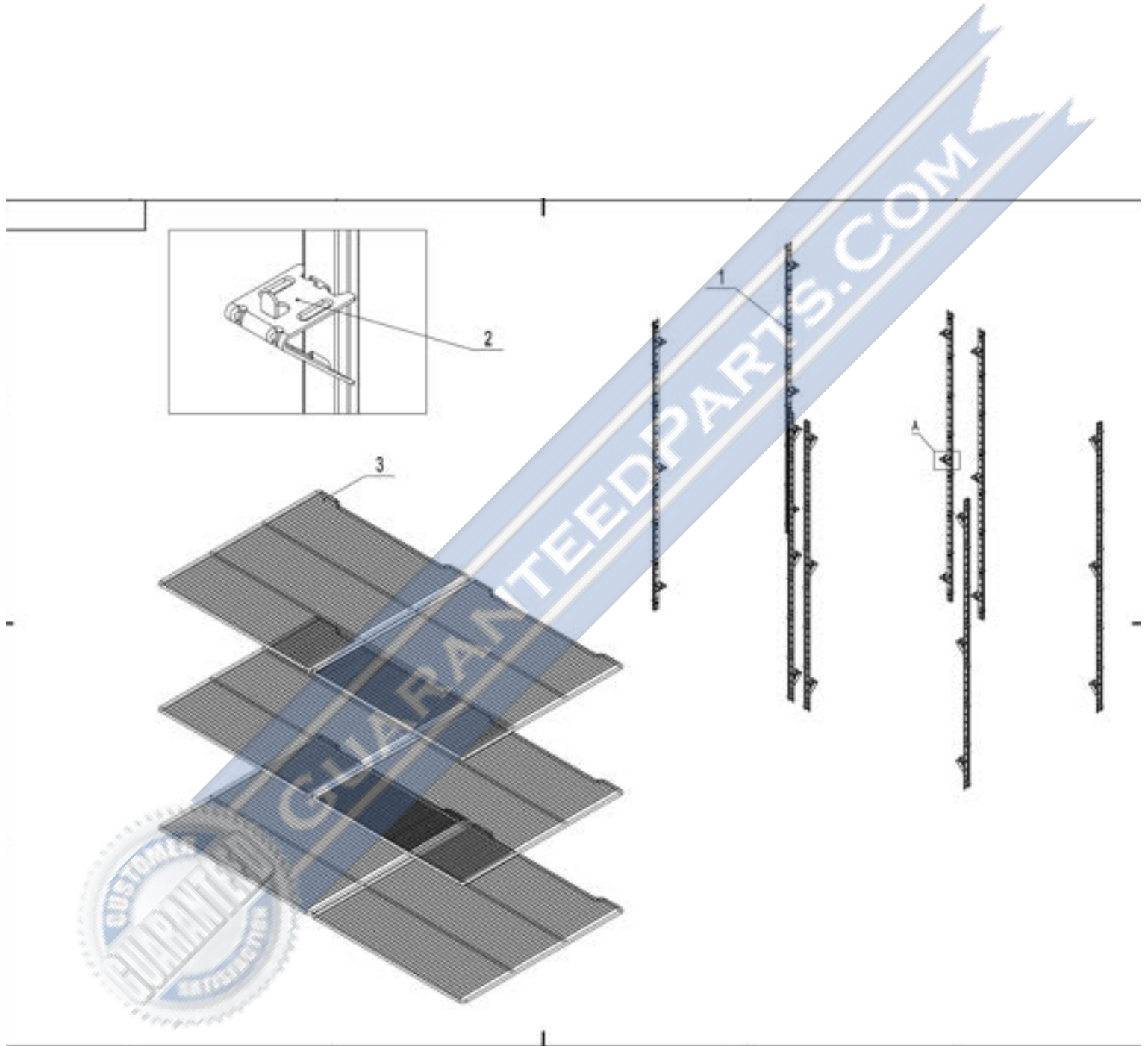


Part No.	SKU	Description
1	1759-2232	Mullion Back Cover
2	1759-805	Mullion Foam
3	1759-709	Mullion Heater
4	1759-791	Mullion Plastic Connector
5	1759-2233	Mullion Front Cover

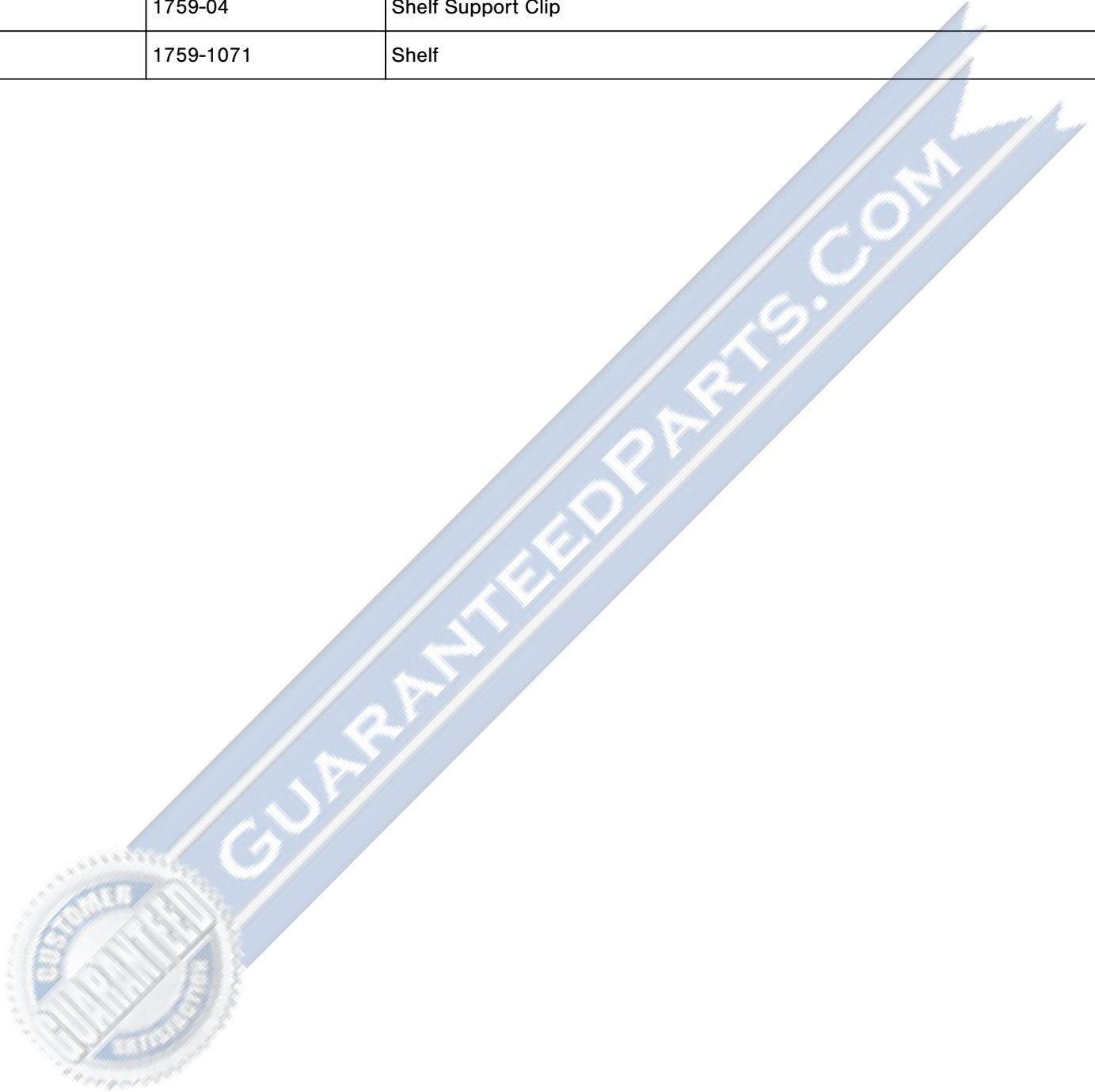


GUARANTEEDPARTS.COM

6- Shelf Assembly

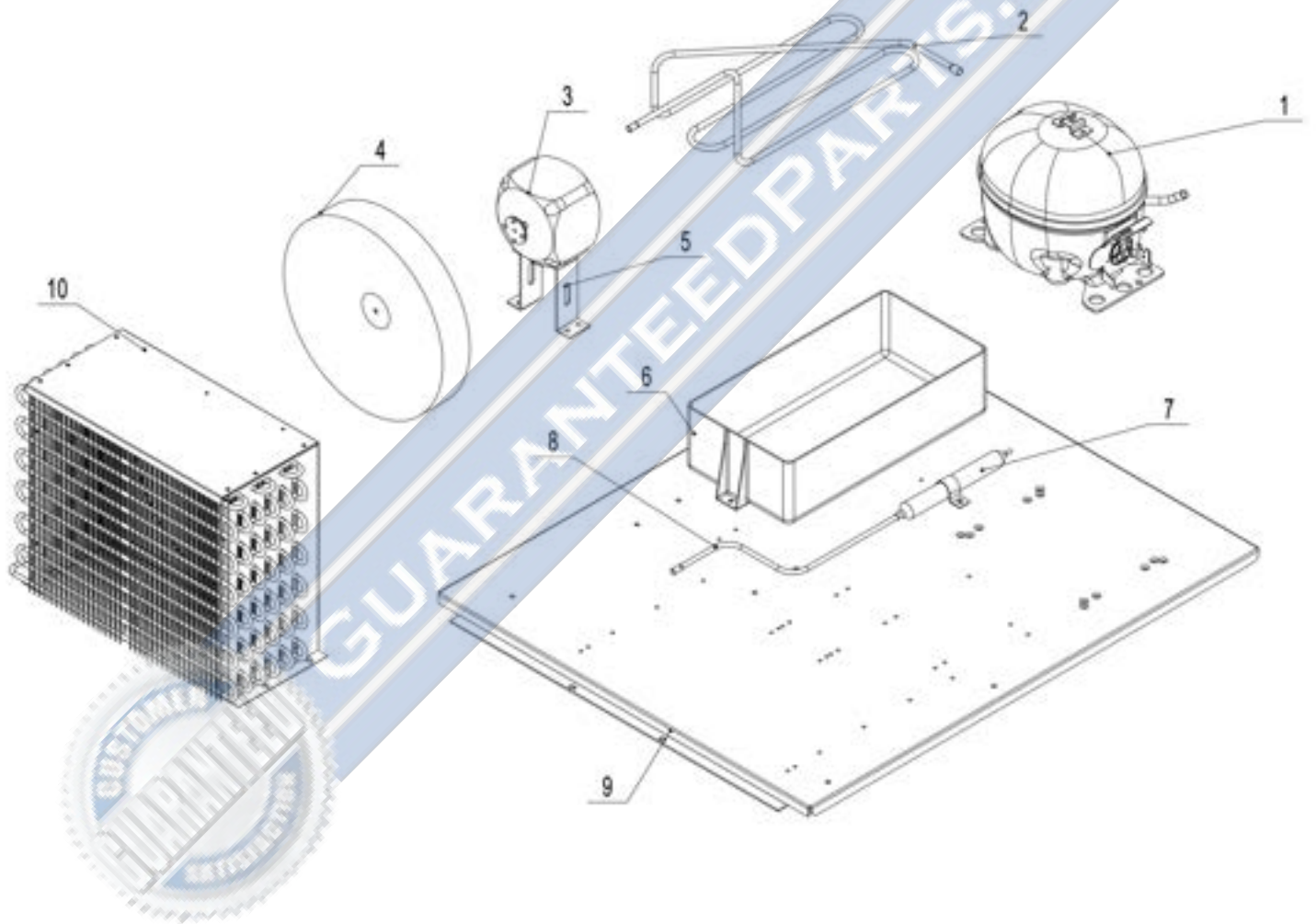


Part No.	SKU	Description
1	1759-483	Pilaster For Shelf
2	1759-04	Shelf Support Clip
3	1759-1071	Shelf



7- Condensing Unit Assembly

2020.5.8



Part No.	SKU	Description
1	1759-1747	Compressor Cubigel Nut45Nr1
2	1759-671	High Pressure Coil
3	1759-687	Condenser Fan Motor
4	1759-683	Condenser Fan Blade
5	1759-497	Condenser Fan Bracket
6	1759-792	Plastic Drain Pan
7	1759-657	Dry Filter
9	1759-1950	Compressor Board
10	1759-654	Condenser



GUARANTEEDPARTS.COM