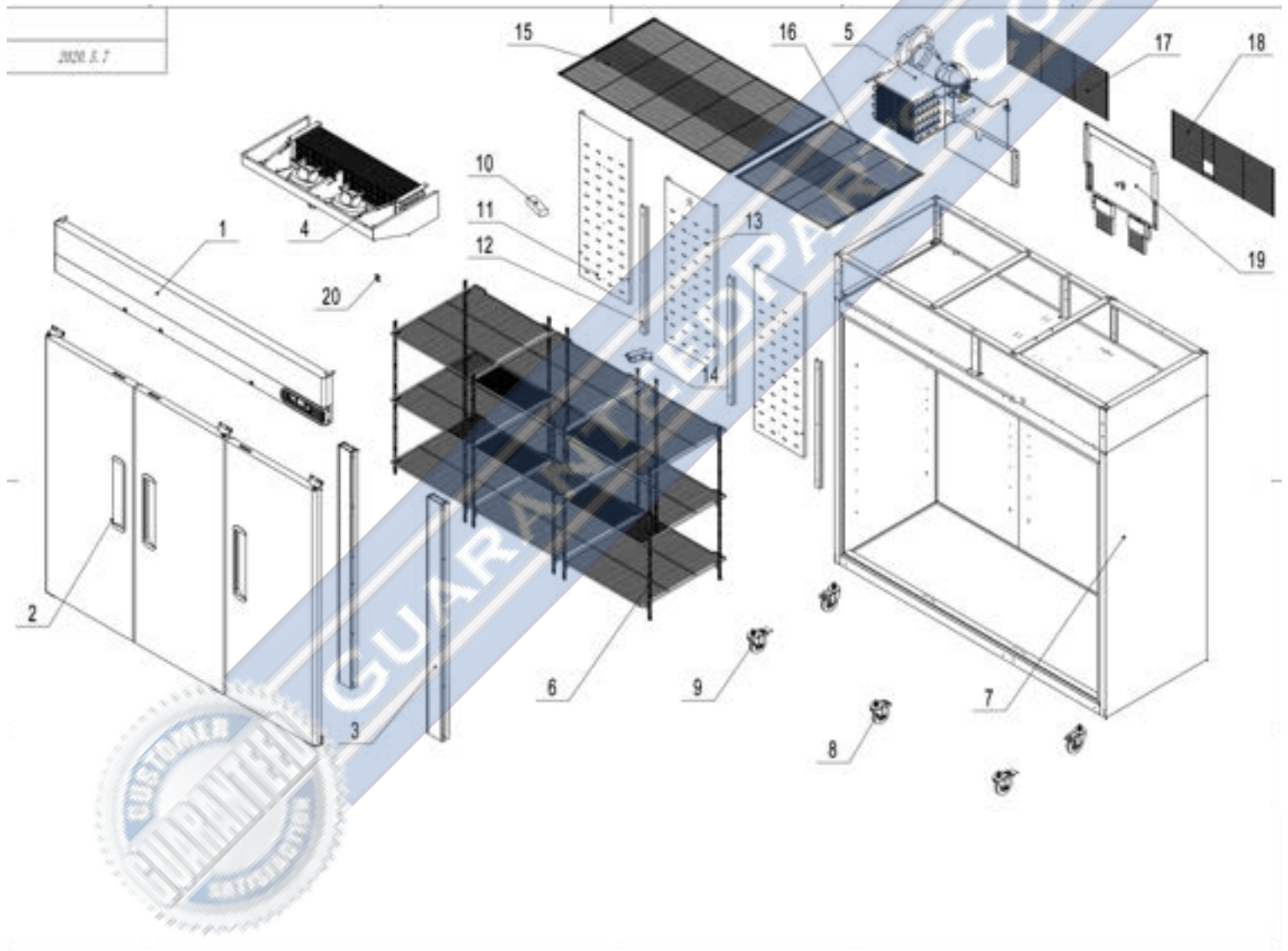


# MIGALI

## C-3R-HC



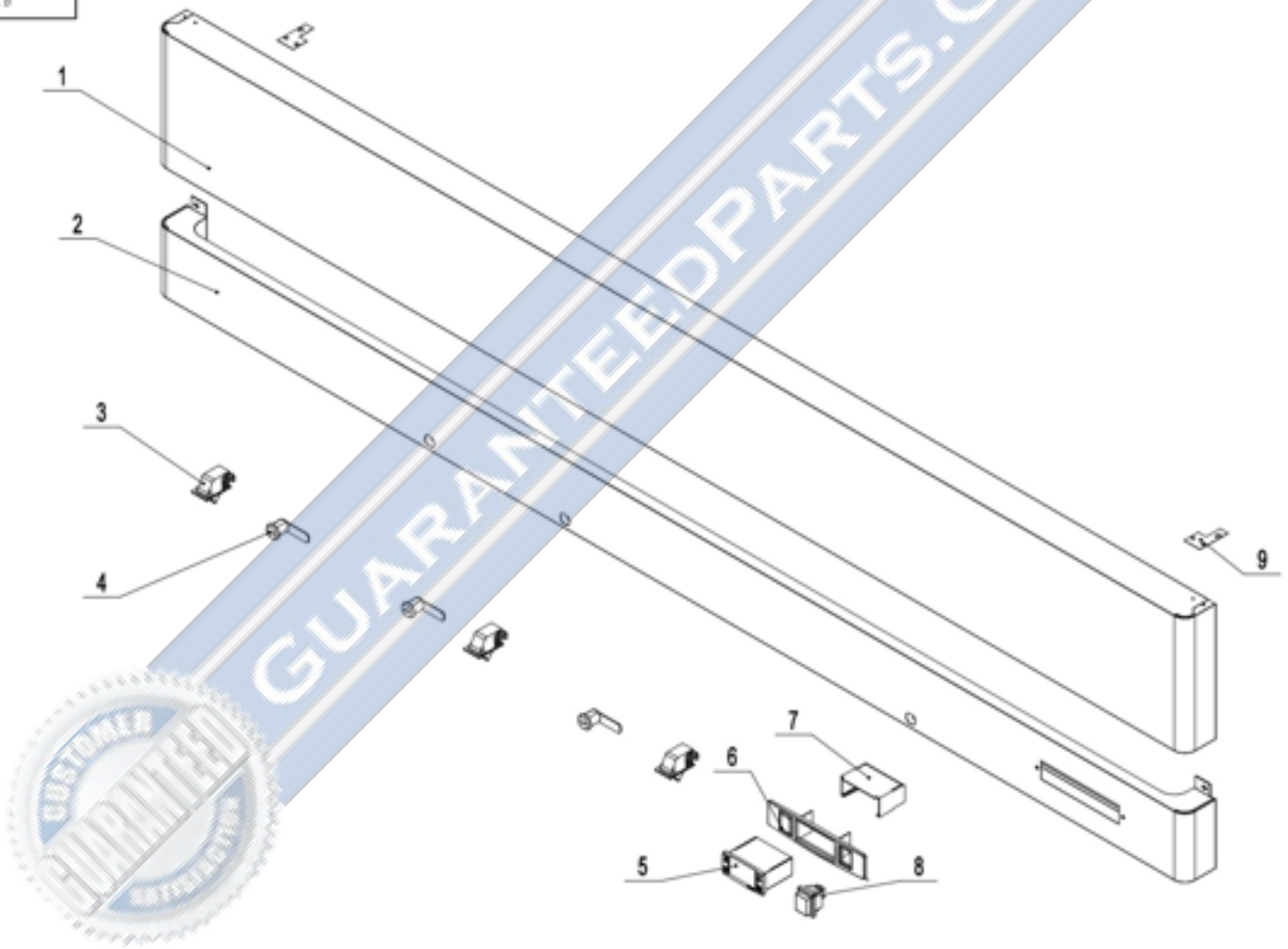
| <b>Part Number</b> | <b>SKU</b> | <b>Description</b>                               |
|--------------------|------------|--|
| 8                  | 1759-945   | 4" Castor Without Brake                          |
| 10                 | 1759-710   | LED Power  |
| 11                 | 1759-454   | Back Wind Deflector                              |
| 12                 | 1759-435   | Back Wind Deflector Stents                       |
| 13                 | 1759-1672  | Back Wind Deflector / Back Wind Deflection Stent |
| 15                 | 1759-2268  | Middle Top Net                                   |
| 16                 | 1759-732   | Top Net  |
| 20                 | 1759-1670  | Led Controller C-1R-HC                           |



GUARANTEEDPARTS.COM

# 1- Motor Cover Assembly- Version 1

2020.2.6

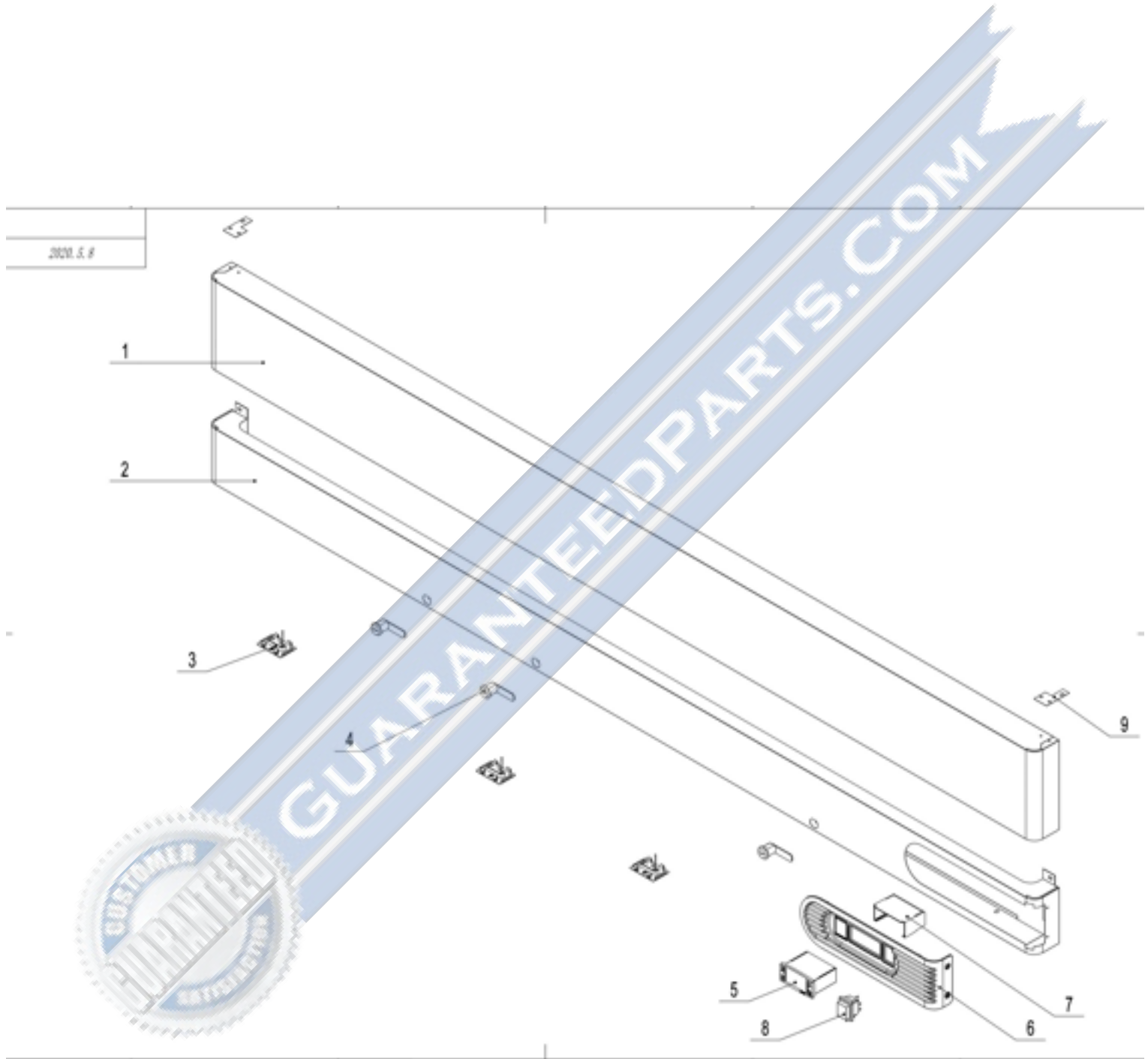


| <b>Part Number</b> | <b>SKU</b> | <b>Description</b>     |
|--------------------|------------|------------------------|
| 1                  | 1759-479   | Front Top Panel-Top    |
| 2                  | 1759-478   | Front Top Panel-Bottom |
| 3                  | 1759-703   | Door Switch            |
| 4                  | 1759-813   | Locker                 |
| 5                  | 1759-1730  | Digital Controller     |
| 6                  | 1759-692   | Controller Cover Plate |
| 7                  | 1759-694   | Controller Cover       |
| 8                  | 1759-693   | Power Switch           |
| 9                  | 1759-463   | Fastener For Top Panel |
| N/S                | 1759-691   | Digital Controller     |



GUARANTEED PARTS.COM

# 1- Motor Cover Assembly- Version 2

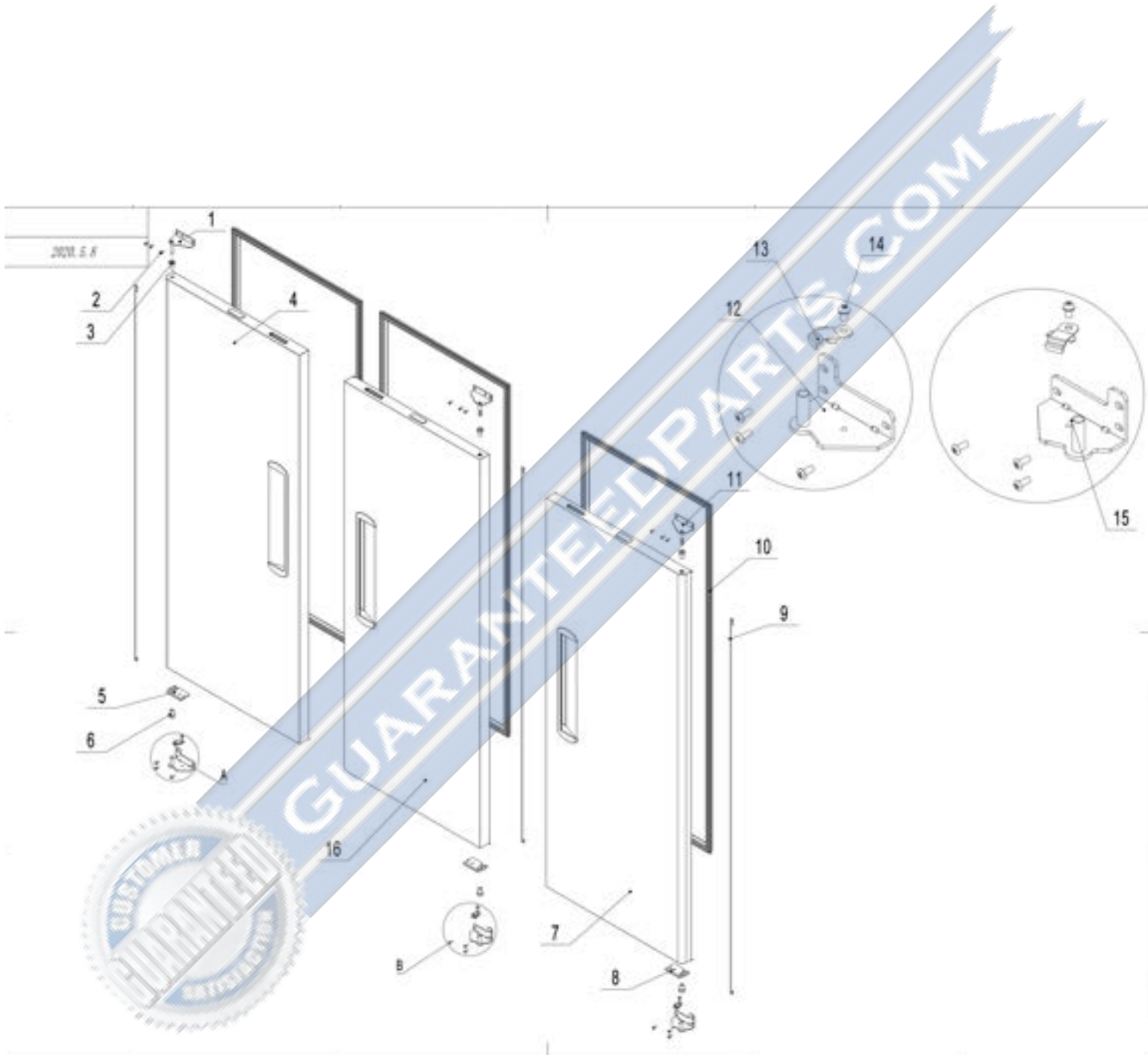


| <b>Part Number</b> | <b>SKU</b> | <b>Description</b>                 |
|--------------------|------------|------------------------------------|
| 1                  | 1759-479   | Front Top Panel-Top                |
| 2                  | 1759-1518  | Front Top Panel-Bottom New Design  |
| 3                  | 1759-2228  | Gate Magnetic Switch C-10RM        |
| 4                  | 1759-813   | Locker                             |
| 5                  | 1759-1667  | Digital Controller Carel Pzyds     |
| 6                  | 1759-1472  | Controller Panel Migali New Design |
| 7                  | 1759-694   | Controller Cover                   |
| 8                  | 1759-705   | Power Switch                       |
| 9                  | 1759-463   | Fastener For Top Panel             |



GUARANTEEDPARTS.COM

# 2- Door Assembly

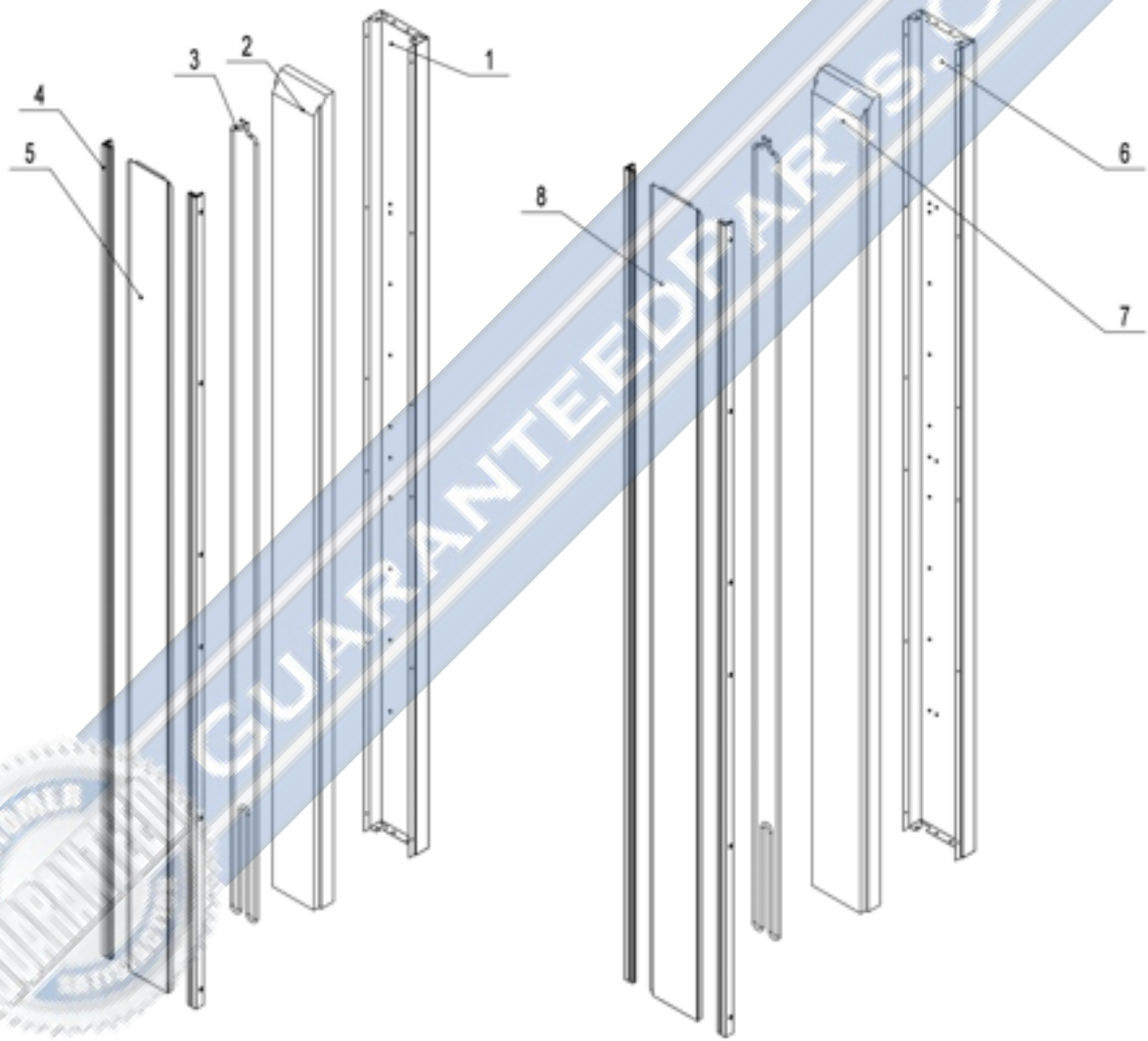


| <b>Part Number</b> | <b>SKU</b> | <b>Description</b>             |
|--------------------|------------|--------------------------------|
| 1                  | 1759-825   | Left-Top Hinge                 |
| 2                  | 1759-874   | SS Screw M5x12                 |
| 3                  | 1759-754   | Door Shaft Sleeve-Top          |
| 4                  | 1759-1483  | Left Door New Design           |
| 5                  | 1759-824   | Door Brake-Left                |
| 6                  | 1759-755   | Door Shaft Sleeve-Bottom       |
| 7                  | 1759-1482  | Right Door New Design          |
| 8                  | 1759-823   | Door Brake                     |
| 9                  | 1759-838   | Door Spring Bar                |
| 10                 | 1759-736   | Door Gasket                    |
| 11                 | 1759-826   | Right-Top Hinge                |
| 12                 | 1759-827   | Left-Bottom Hinge              |
| 13                 | 1759-829   | Door Brake-Bottom              |
| 14                 | 1759-1161  | SS Screw M6X8                  |
| 15                 | 1759-828   | Right-Bottom Hinge             |
| 16                 | 1759-1484  | Middle Door C-3R-HC New Design |



GUARANTEED PARTS.COM

# 3- Mullion Assembly

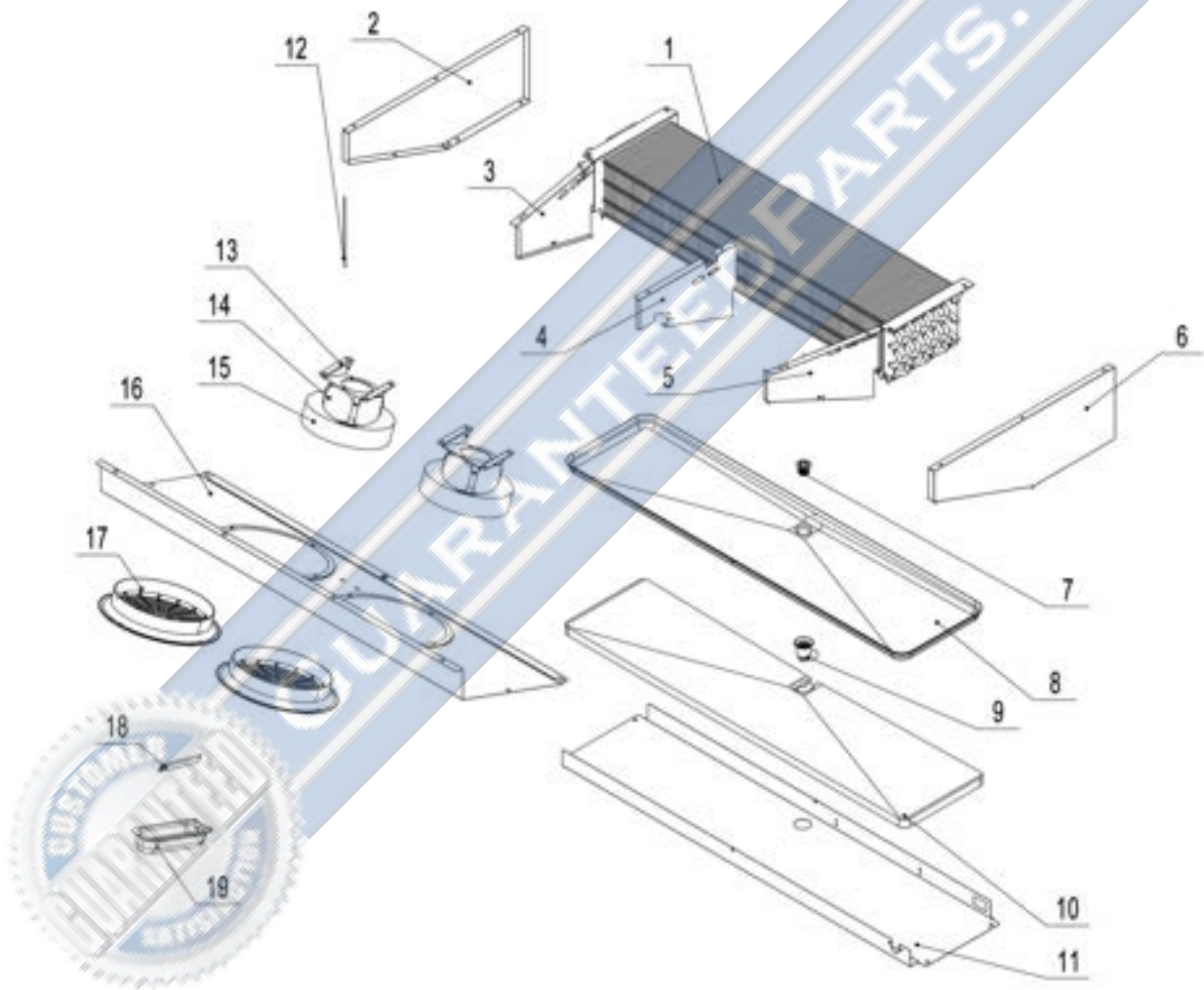


| <b>Part Number</b> | <b>SKU</b> | <b>Description</b>          |
|--------------------|------------|-----------------------------|
| 1                  | 1759-2257  | Mullion Back Cover C-2F     |
| 2                  | 1759-806   | Mullion Foam                |
| 3                  | 1759-663   | Mullion Pipe                |
| 4                  | 1759-765   | Mullion Plastic Connector   |
| 5                  | 1759-456   | Mullion Front Cover         |
| 6                  | 1759-2271  | Mullion Back Cover C-3R-HC  |
| 7                  | 1759-807   | Mullion Plastic Connector   |
| 8                  | 1759-2273  | Mullion Front Cover C-3R-HC |



GUARANTEEDPARTS.COM

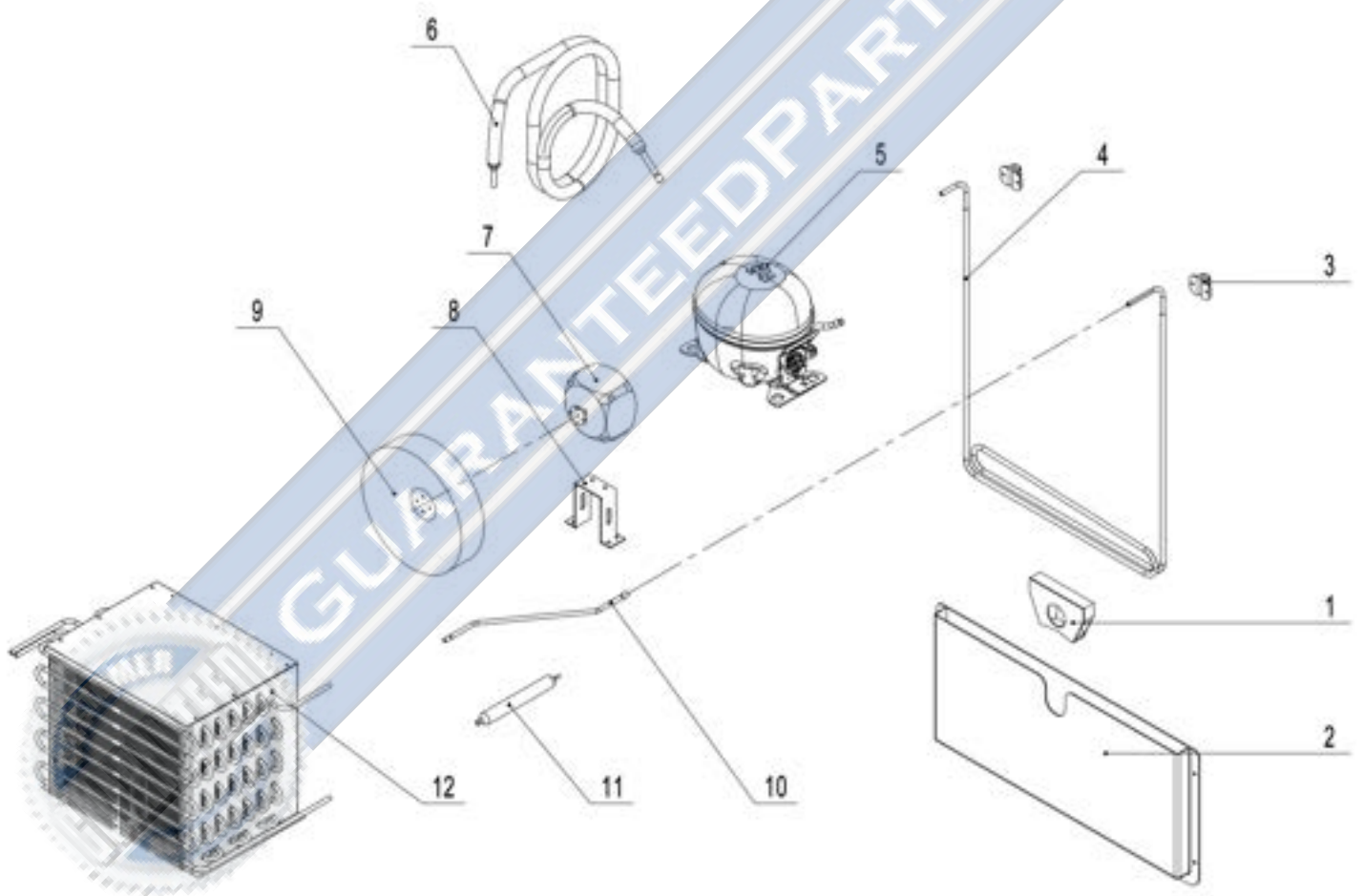
# 4- Evaporator Assembly



| <b>Part Number</b> | <b>SKU</b> | <b>Description</b>            |
|--------------------|------------|-------------------------------|
| 1                  | 1759-642   | Evaporator                    |
| 2                  | 1759-460   | Evap Left Cover               |
| 3                  | 1759-12    | Left Air Lane Cover           |
| 4                  | 1759-459   | Middle Air Lane Cover         |
| 4                  | 1759-459   | Middle Air Lane Cover         |
| 5                  | 1759-13    | Right Air Lane Cover          |
| 6                  | 1759-461   | Evap Right Cover              |
| 7                  | 1759-758   | Drain Hose Connector B        |
| 8                  | 1759-482   | Drain Pan R90 C-3R-HC, C-3Rg- |
| 9                  | 1759-757   | Drain Hose Connector A        |
| 10                 | 1759-847   | Drain Pan Foam                |
| 11                 | 1759-477   | Drain Pan Cover               |
| 12                 | 1759-697   | Room Sensor Probe             |
| 13                 | 1759-15    | Evap Fan Bracket              |
| 14                 | 1759-686   | Evap Fan Motor                |
| 15                 | 1759-681   | Evap Fan Blade                |
| 16                 | 1759-476   | Evap Front Cover              |
| 17                 | 1759-748   | Evap Fan Motor Cover          |
| 18                 | 1759-701   | Lamp                          |
| 19                 | 1759-759   | Lamp Cover                    |

# 5- Condensing Unit Assembly

20.5.4

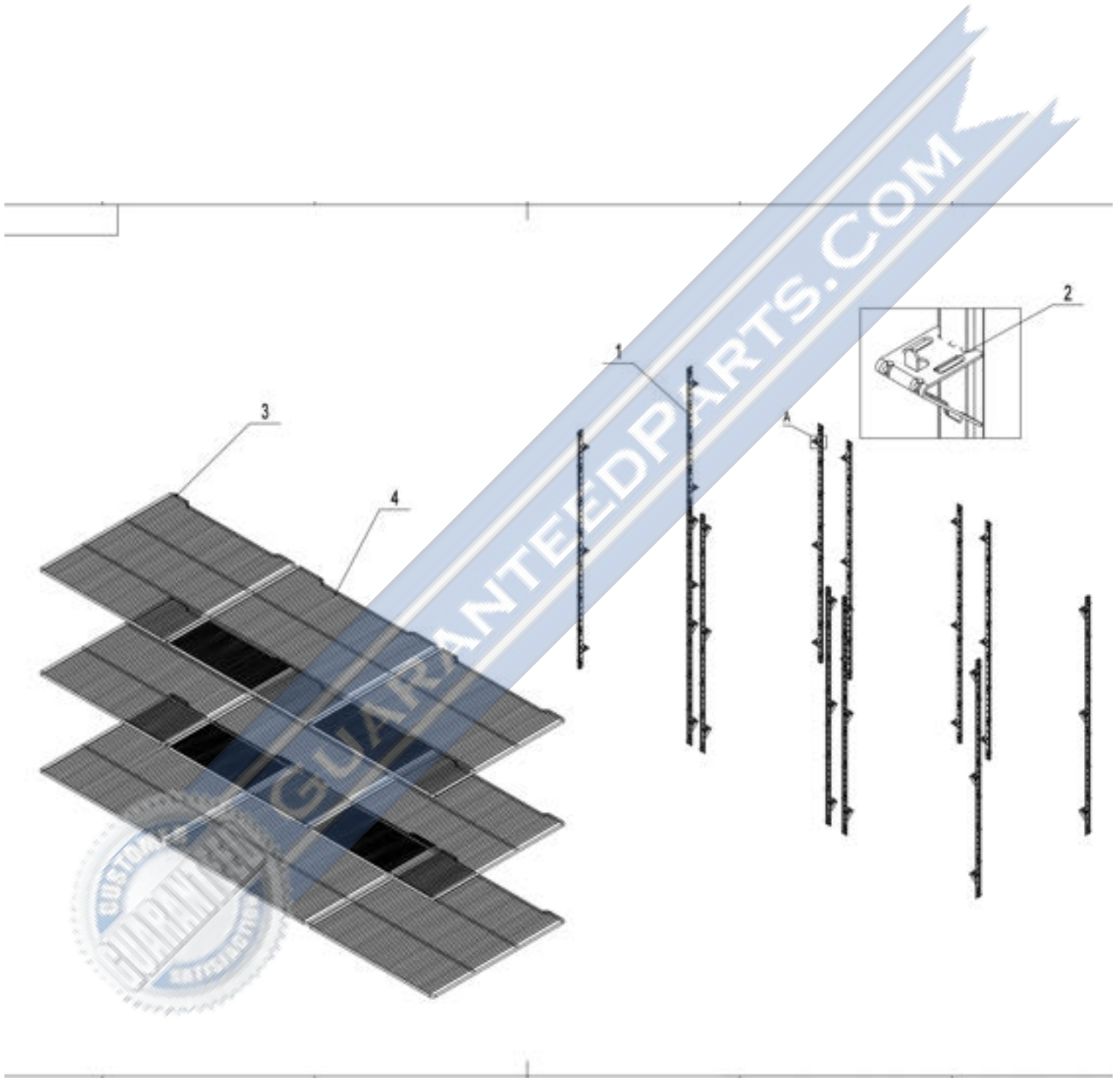


| <b>Part Number</b> | <b>SKU</b> | <b>Description</b>                   |
|--------------------|------------|--------------------------------------|
| 1                  | 1759-747   | Air Pressure Balance Device          |
| 2                  | 1759-746   | Back High Pressure Coil Pan          |
| 3                  | 1759-804   | Rubber Fixing Block R290 C-1F-HC     |
| 4                  | 1759-664   | High Pressure Coil                   |
| 5                  | 1759-1748  | Compressor R290/115V                 |
| 6                  | 1759-335   | Low Pressure Coil Back to Comp       |
| 7                  | 1759-688   | Condenser Fan                        |
| 8                  | 1759-497   | Condenser Fan Bracket                |
| 9                  | 1759-683   | Condenser Fan Blade                  |
| 10                 | 1759-2274  | Connecting Coil To Condenser C-3R-HC |
| 11                 | 1759-657   | Dry Filter                           |
| 12                 | 1759-655   | Condenser                            |



GUARANTEED PARTS.COM

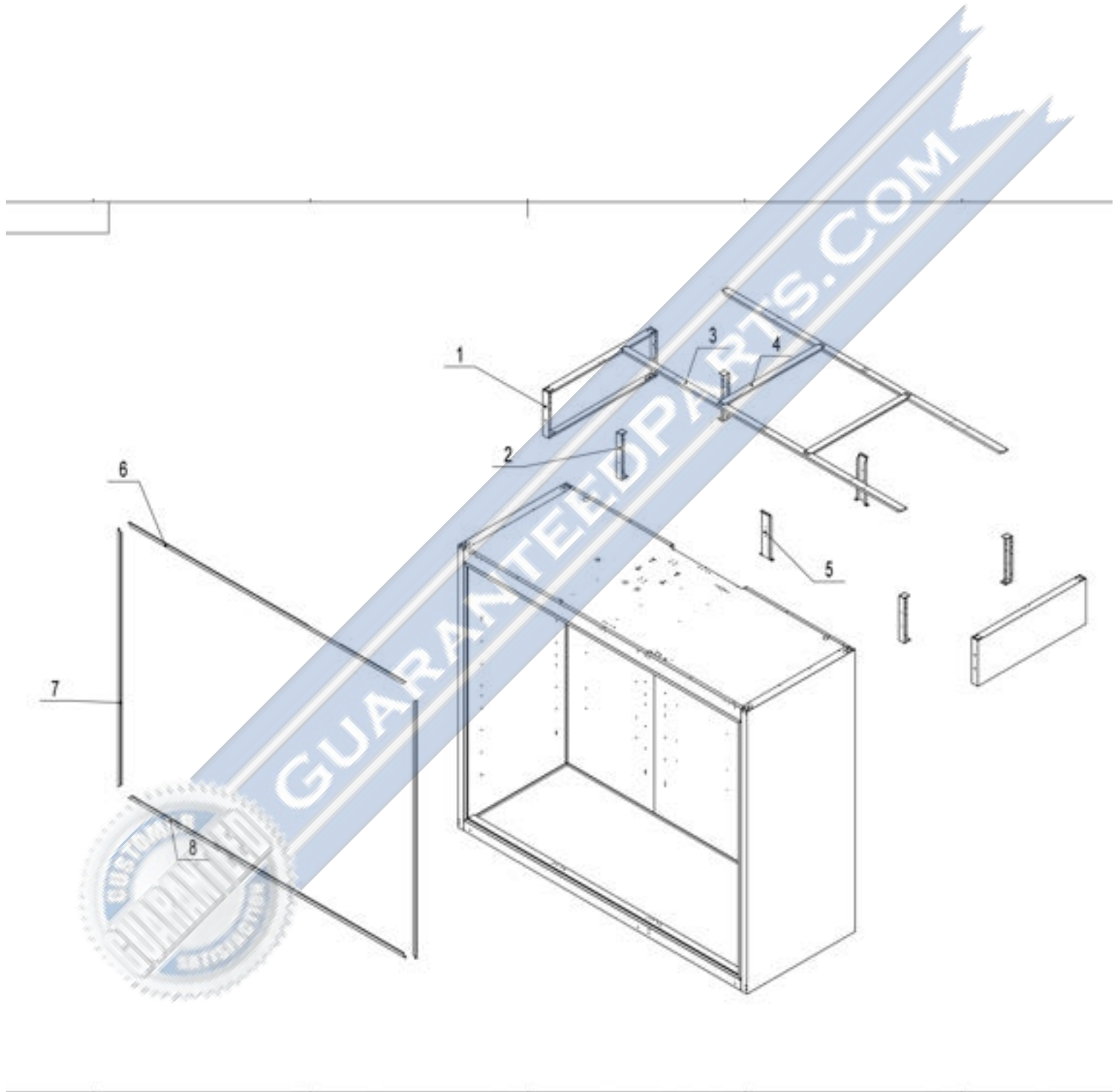
# 6- Shelf Assembly



| <b>Part Number</b> | <b>SKU</b> | <b>Description</b> |
|--------------------|------------|--------------------|
| 1                  | 1759-483   | Pilaster For Shelf |
| 2                  | 1759-04    | Shelf Support Clip |
| 3                  | 1759-718   | Shelf              |
| 4                  | 1759-719   | Shelf (Mid)        |

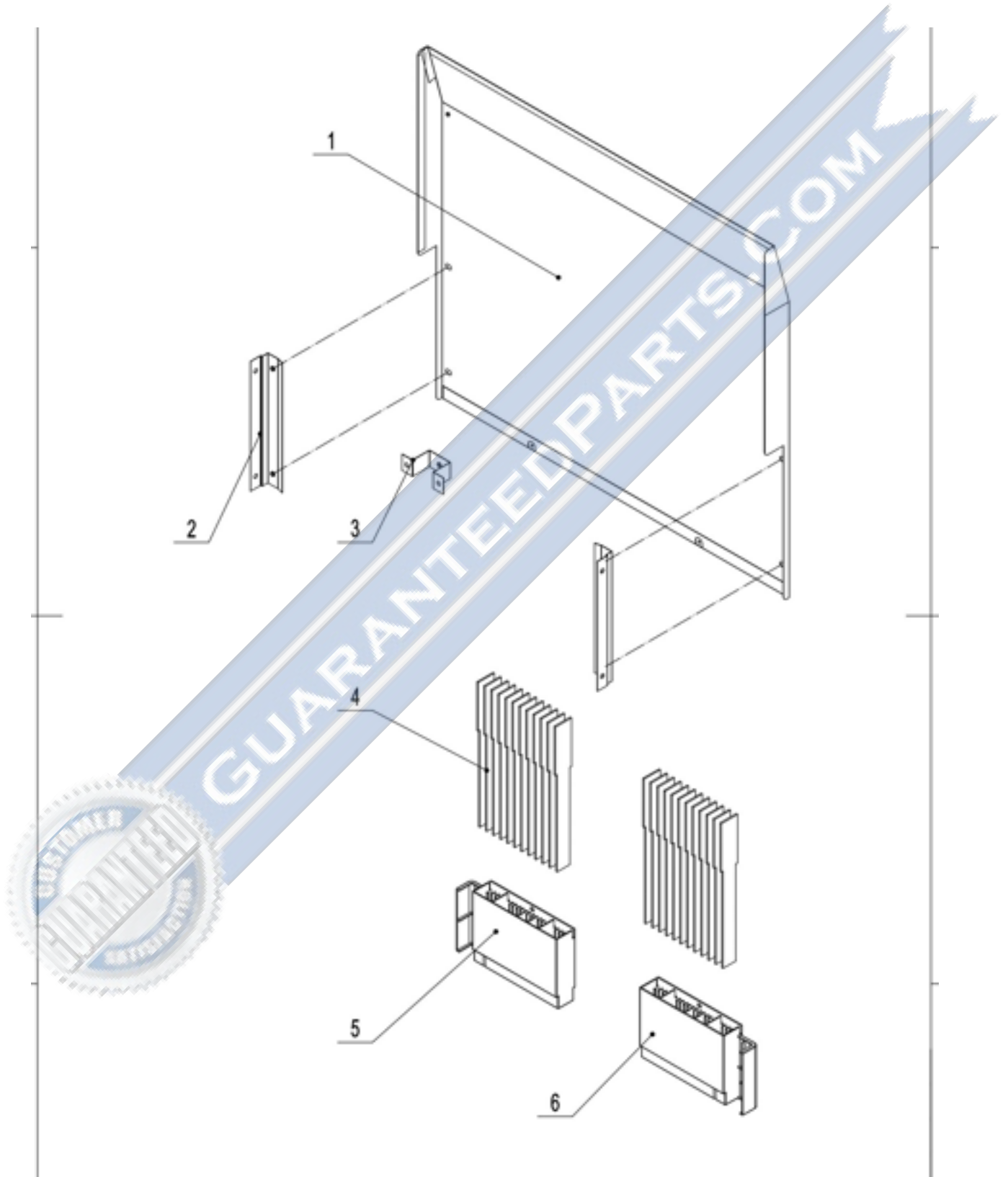


# 7- Cabinet Assembly



| <b>Part Number</b> | <b>SKU</b> | <b>Description</b>            |
|--------------------|------------|-------------------------------|
| 1                  | 1759-06    | Top Side Panel                |
| 2                  | 1759-09    | Side Panel Frame              |
| 3                  | 1759-480   | Top Long Fixing Rack          |
| 4                  | 1759-468   | Top Short Fixing Rack         |
| 5                  | 1759-466   | Top Fixing Rack R290 C-2F-HC, |
| 6                  | 1759-779   | Top-Frame Cover               |
| 7                  | 1759-781   | Left-Right Frame Cover        |
| 8                  | 1759-780   | Bottom Frame Cover            |

# 19- Water Evaporation Assembly



| <b>Part Number</b> | <b>SKU</b> | <b>Description</b>                    |
|--------------------|------------|---------------------------------------|
| 1                  | 1759-1416  | Air Deflector (Located Back Of Unit)  |
| 2                  | 1759-1417  | Side Fixing Plate For Air Deflector   |
| 3                  | 1759-1418  | Middle Fixing Plate For Air Deflector |
| 4                  | 1759-1419  | AbsoRBent Paper 24Pcs Per Pack        |
| 5                  | 1759-1420  | Right Bracket For Absorbent Paper     |
| 6                  | 1759-1421  | Left Bracket For Absorbent Paper      |



GUARANTEEDPARTS.COM