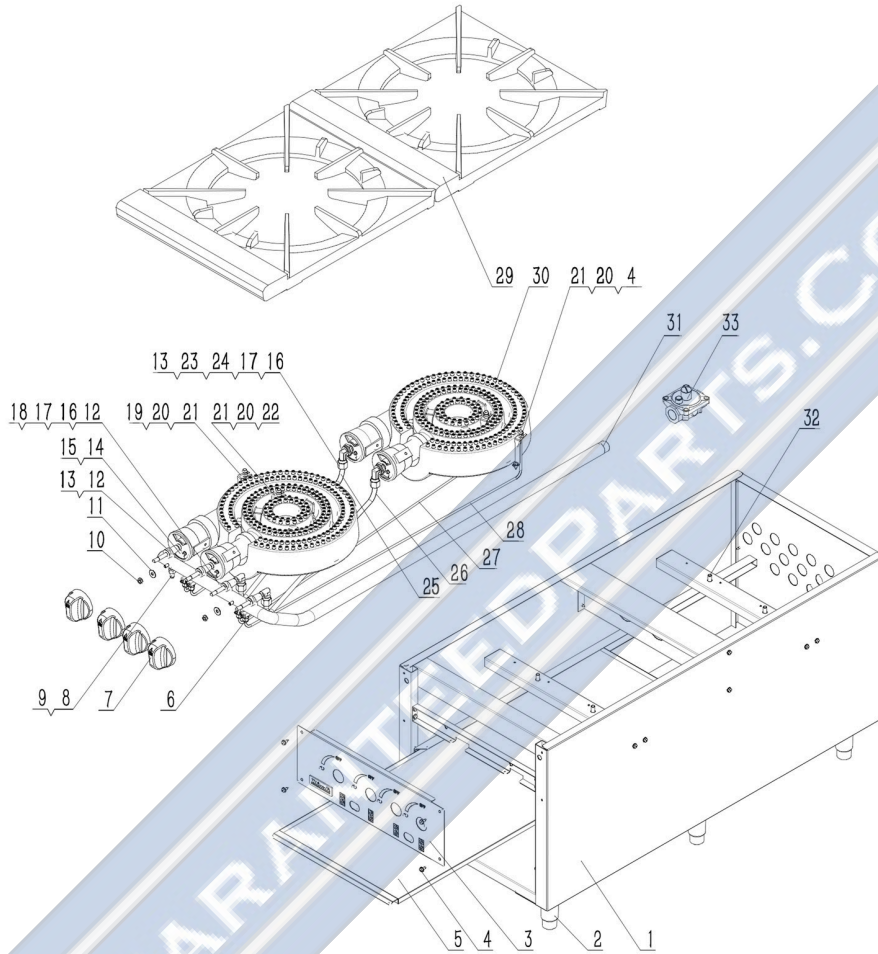


MIGALI

C-SPS-2-18-NG



GUARANTEED PARTS.COM

Part	SKU	Description
1	1759-2184	Body Unit C-SPS-2-18
2	1759-1397	Adjustable Steel Leg 6" For Fryer
3	1759-2185	Control Panel C-SPS-2-18
4	1759-155	Galvanized Hexagon St4.8*12.5
5	1759-1428	Catch Tray 990*365*13 Mm
6	1759-01	Pilot Light Valve Double Unit
7	1759-1093	Migali Cooking Knob With Red Flame
8	1759-133	Needle Type Pressure Joint C-G
9	1759-134	Needle Type Pressure Joint ARB
10	1759-152	Galvanized Flange Face Unit
11	1759-1688	Plain Washers 08 C-CO1-NG
12	1759-111	A18 Stopcock A18-318 C-RB36-NG
13	1759-1413	A18 Nozzle NG32
14	1759-2178	Damper Cover C-SPS-1-18
15	1759-154	Galvanized Cross Pan Head Screw
16	1759-1143	Cooper Nut
17	1759-2186	Brass Hoop C-SPS-2-18
18	1759-2187	Brass Street Elbow C-SPS-2-18
19	1759-2183	Front Burner Outer Pilot Intak
20	1759-135	Pilot Light Head A73007/Tip047
21	1759-2179	Pilot Light Head Stator C-SPS-
22	1759-2180	Front Burner Inner Pilot Intake
23	1759-2065	Copper Nut
24	1759-1415	Male Copper Elbow

25	1759-2188	Back Burner Outer Ring Main Gas Pipe
26	1759-2189	Back Burner Inner Ring Main Gas Pipe
27	1759-2319	Back Burner Pilot Light In-Tak
28	1759-2319	Back Burner Pilot Light In-Tak
29	1759-1790	Boiler Cradle C-SPS-1-18, C-SP
30	1759-1702	Boiler Burner C-SPS-2-18
31	1759-2190	18" Double Head Burner Intake
32	1759-2182	Galvanized Flange Screws C-SPS

