

INSTRUCTION MANUAL

MONTAGUE
GRIZZLY



Convection Oven Gas Restaurant Ranges

**MODELS:
VG Series**

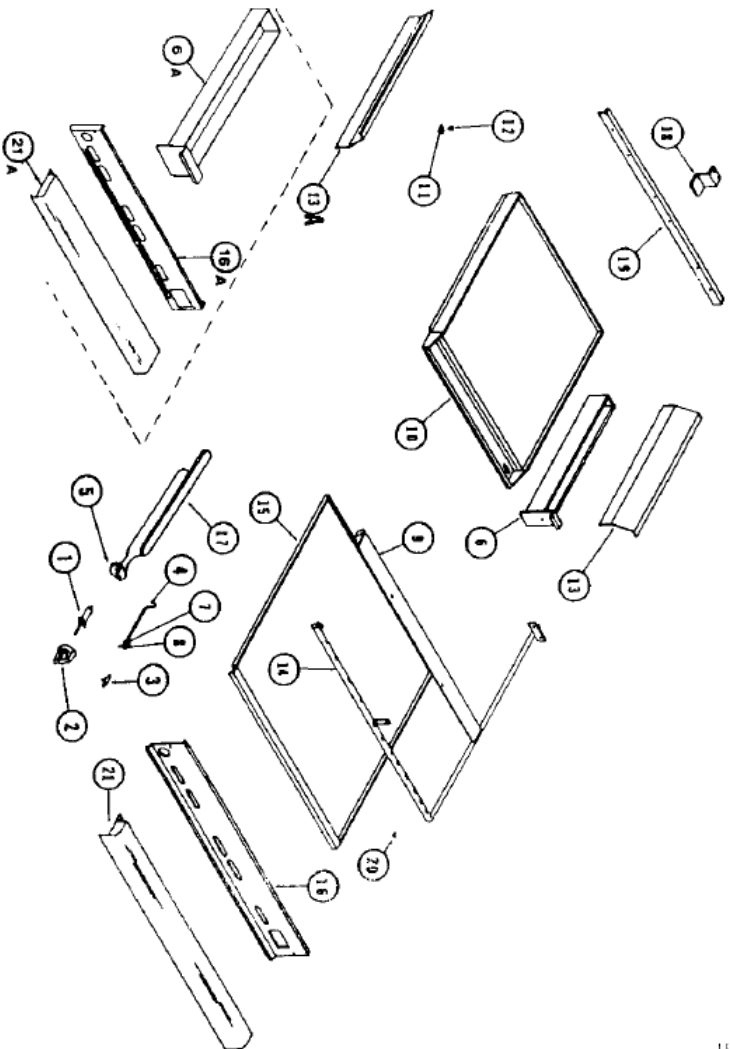
**These instructions should be read thoroughly before attempting installation.
Set up and installation should be performed by qualified installation personnel.**

Keep area around appliances free and clear from combustibles.

**PLEASE RETAIN THIS MANUAL
FOR FUTURE REFERENCE.**



MONTAGUE FRY TOP SECTION MANUAL CONTROL- EXPLODED VIEW



Item Part # Description

- 1 ... 02403-1 ... Valve, Top Burner-NAT. (4.0"W.C)
- ... 01006-5 ... Valve, Top Burner-LP (10.0"W.C)
- ... 14608-0 ... Valve, Top Burner-NAT.(6.0"W.C, Chg. #1)
- 2 ... 11790-0 ... Handle, Valve-Blue
- 3 ... 01055-3 ... Valve, Pilot Adjustment
- 4 ... 03415-0 ... Lighter, Pilot
- 5 ... 02038-9 ... Air Mixer
- 6 ... 14127-5 ... Grease Container, Frytop
- 7 ... 02202-0 ... Nut, Compression-3/16"
- 8 ... 02203-9 ... Sleeve, Compression-3/16"
- 9 ... 11875-3 ... Shield, Front Valve-(34" unit)
- 10 ... 14123-2 ... Frytop-1ft
- ... 14122-4 ... Frytop-2ft
- ... 14111-9 ... Frytop-3ft
- ... 14119-4 ... Frytop-4ft
- ... 14120-8 ... Frytop-5ft
- ... 14114-3 ... Frytop-6ft
- 11 ... 01920-8 ... Nut, Retainer
- 12 ... 01869-4 ... Bolt, Adjusting-Frytop
- 13 ... 14043-0 ... Deflector, Drip-Right
- 13A ... 14039-2 ... Deflector, Drip-Left
- 13A ... 14039-2 ... Deflector, Drip-Left
- 14 ... 14027-9 ... Manifold Assy-(34" unit)
- 15 ... 04485-7 ... Container, Drip-Pan
- 16 ... 14126-7 ... Panel, Control
- 17 ... 03361-8 ... Burner Assy, Complete-1ft only
- 18 ... 14146-1 ... Support Burner-Rear
- 19 ... 14042-2 ... Angle, Rear Structural-(34" unit)
- 20 ... 01279-3 ... Plug, Manifold-1/8"
- 21 ... 11787-0 ... Rail, Front Guard-(34" unit)

25 KBTU Manual Frytop Style

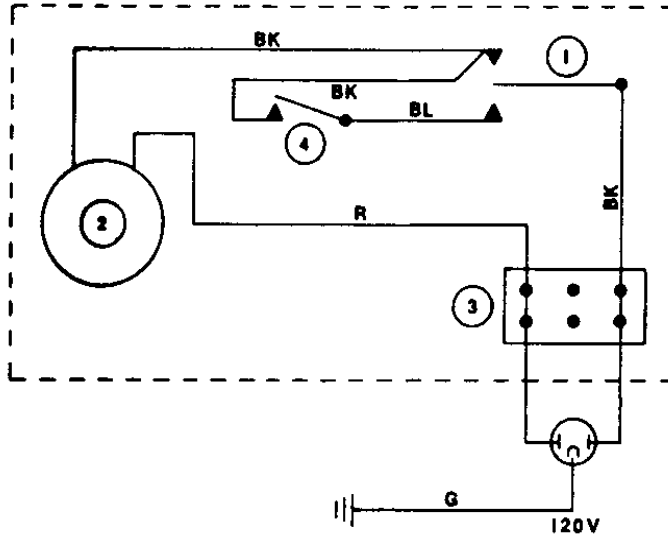
- 6A ... 28045-3 ... Grease Container, Frytop-25 KBTU
- 16A ... 26901-8 ... Panel, Control-25 KBTU
- 21A ... 26674-4 ... Rail, Front Guard-(34" unit)-25 KBTU



The Montague Company

1890 Stearman Avenue, P.O. Box 4954, Hayward, CA 94540-4954

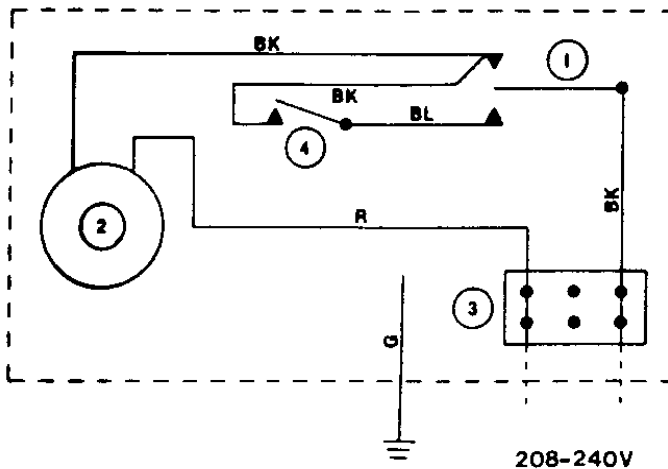
MODEL VG26 SERIES
WIRING DIAGRAM
120V; 1PH: 60Hz



ITEM	DESCRIPTION
1	SWITCH, FAN
2	MOTOR (SPECIFY VOLTAGE)
3	TERMINAL BLOCK
4	SWITCH, DOOR

If any of the original wire, as supplied with the appliance, must be replaced, it must be replaced with the same type or its equivalent.

MODEL VG26 SERIES
WIRING DIAGRAM
208-240V; 1PH: 60 Hz



ITEM	DESCRIPTION
1	SWITCH, FAN
2	MOTOR (SPECIFY VOLTAGE)
3	TERMINAL BLOCK
4	SWITCH, DOOR

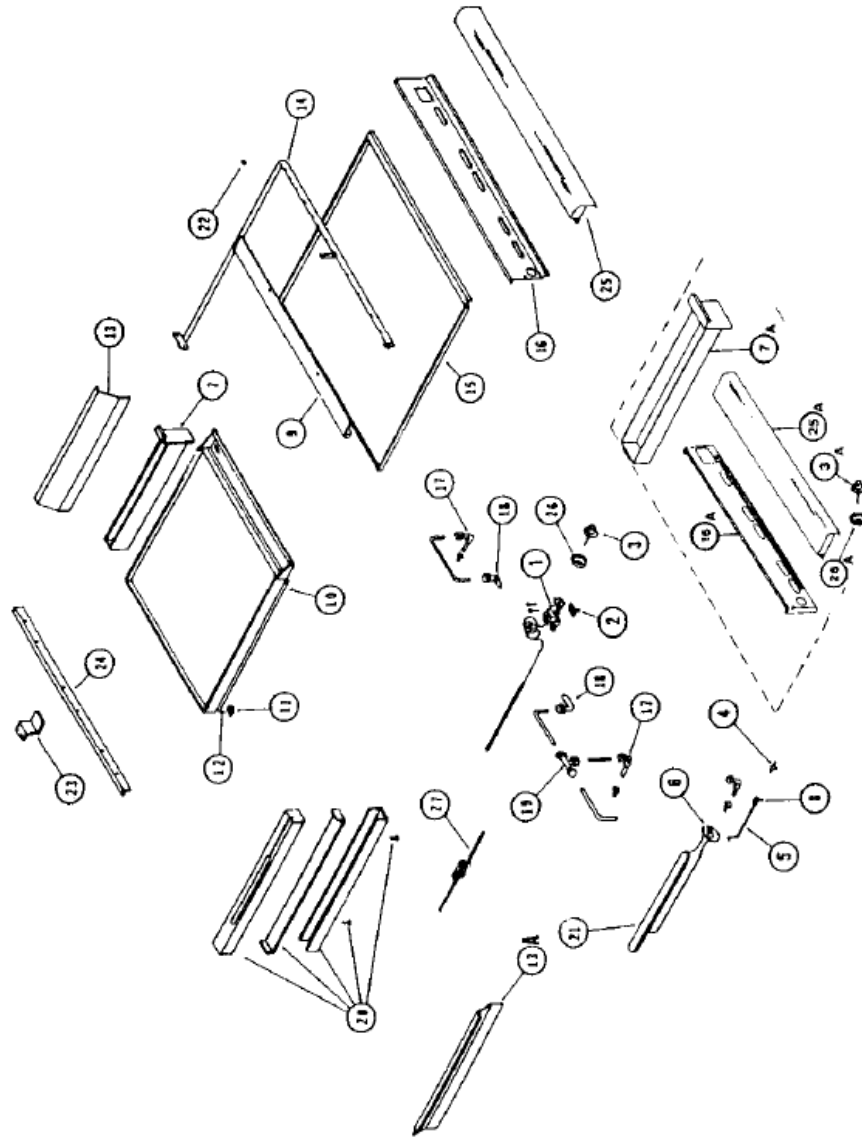
If any of the original wire, as supplied with the appliance, must be replaced, it must be replaced with the same type or its equivalent.

----- FIELD WIRING

MONTAGUE FRY TOP SECTION MANUAL CONTROL- EXPLODED VIEW

Item Part # Description

1	03384-7	Thermostat, BJWA
2	02336-1	Nipple, Flange Mount
3	09182-8	Dial, Thermostat
4	01055-3	Valve, Pilot Adjustment
5	03415-1	Lighter, Pilot
6	02038-9	Air Mixer
7	14127-5	Grease Container, Frytop
8	02202-0	Nut, Compression-3/16"
9	02203-9	Sleeve, Compression-3/16"
10	11875-3	Shield, Front Valve-(34"unit)
11	15982-4	Frytop-1ft
12	15988-3	Frytop-2ft
13	15981-6	Frytop-3ft
14	15983-2	Frytop-4ft
15	15984-0	Frytop-5ft
16	15985-9	Frytop-6ft
17	01920-8	Nut, Retainer
18	01869-4	Bolt, Adjusting-Frytop
19	14043-0	Deflector, Drip-Right
20	14039-2	Deflector, Drip-Left
21	17441-6	Manifold Assy-(34"unit)
22	04485-7	Container, Drip-Pan
23	14126-7	Panel, Control
24	02411-2	Orifice, Elbow Assy-NAT.(4.0 WC)
25	14612-9	Orifice, Elbow Assy-NAT.(6.0 WC, Chg. #1)
26	03385-5	Orifice, Elbow Assy-LP
27	01285-8	Elbow, Male-1/4" x 3/8" cc
28	01286-6	Tee, Tubing-3/8" cc
29	03386-3	Holder Assy, Sensing Bulb
30	03361-8	Burner Assy-1ft only
31	01279-3	Plug, Manifold-1/8"
32	14146-1	Support, Burner-Rear
33	14042-2	Angle, Rear Structural-(34"unit)
34	11787-0	Rail, Front Guard-(34"unit)
35	01985-2	Bezel, Thermostat
36	07125-0	Insulation Sleeving, T'stat Bulb



25 KBTU Thermostat Frytop Style

3A	26869-0	Dial, Thermostat-25 KBTU
7A	28045-3	Grease Container Frytop-25 KBTU
16A	26901-8	Panel, Control-25 KBTU
25A	26674-4	Rail, Front Guard-25 KBTU
26A	26870-4	Bezel, Thermostat-25 KBTU

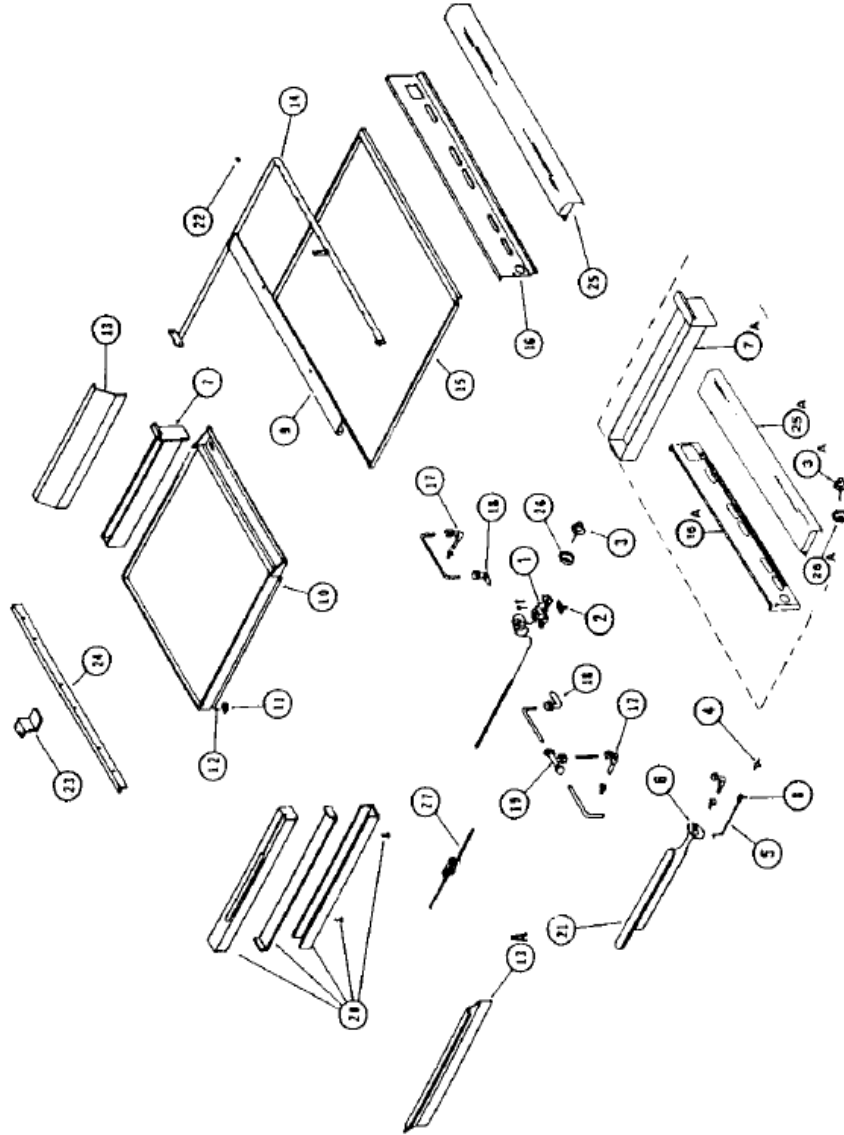


The Montague Company
1830 Stearman Avenue, P.O. Box 4954, Hayward, CA 94540-4954

MONTAGUE FRY TOP SECTION THERMOSTAT CONTROL- EXPLODED VIEW

Item Part # Description

- 1 ... 03384-7 ... Thermostat, BJWA
- 2 ... 02336-1 ... Nipple, Flange Mount
- 3 ... 09182-8 ... Dial, Thermostat
- 4 ... 01055-3 ... Valve, Pilot Adjustment
- 5 ... 03415-1 ... Lighter, Pilot
- 6 ... 02038-9 ... Air Mixer
- 7 ... 14127-5 ... Grease Container, Frytop
- 8 ... 02202-0 ... Nut, Compression-3/16"
- 9 ... 02203-9 ... Sleeve, Compression-3/16"
- 10 ... 11875-3 ... Shield, Front Valve-(34"unit)
- 11 ... 15982-4 ... Frytop-1ft
- 12 ... 15988-3 ... Frytop-2ft
- 13 ... 15981-6 ... Frytop-3ft
- 14 ... 15983-2 ... Frytop-4ft
- 15 ... 15984-0 ... Frytop-5ft
- 16 ... 15985-9 ... Frytop-6ft
- 17 ... 01920-8 ... Nut, Retainer
- 18 ... 01869-4 ... Bolt, Adjusting-Frytop
- 19 ... 14043-0 ... Deflector, Drip-Right
- 13A ... 14039-2 ... Deflector, Drip-Left
- 14 ... 17441-6 ... Manifold Assy-(34"unit)
- 15 ... 04485-7 ... Container, Drip-Pan
- 16 ... 14126-7 ... Panel, Control
- 17 ... 02411-2 ... Orifice, Elbow Assy-NAT.(4.0 WC)
- 18 ... 14612-9 ... Orifice, Elbow Assy-NAT.(6.0 WC, Chg. #1)
- 19 ... 03385-5 ... Orifice, Elbow Assy-LP
- 20 ... 01285-8 ... Elbow, Male-1/4" x 3/8" cc
- 21 ... 01286-6 ... Tee, Tubing-3/8" cc
- 22 ... 03386-3 ... Holder Assy, Sensing Bulb
- 23 ... 03361-8 ... Burner Assy-1ft only
- 24 ... 01279-3 ... Plug, Manifold-1/8"
- 25 ... 14146-1 ... Support, Burner-Rear
- 26 ... 14042-2 ... Angle, Rear Structural-(34"unit)
- 27 ... 11787-0 ... Rail, Front Guard-(34"unit)
- 28 ... 01985-2 ... Bezel, Thermostat
- 29 ... 07125-0 ... Insulation Sleeving, T'stat Bulb



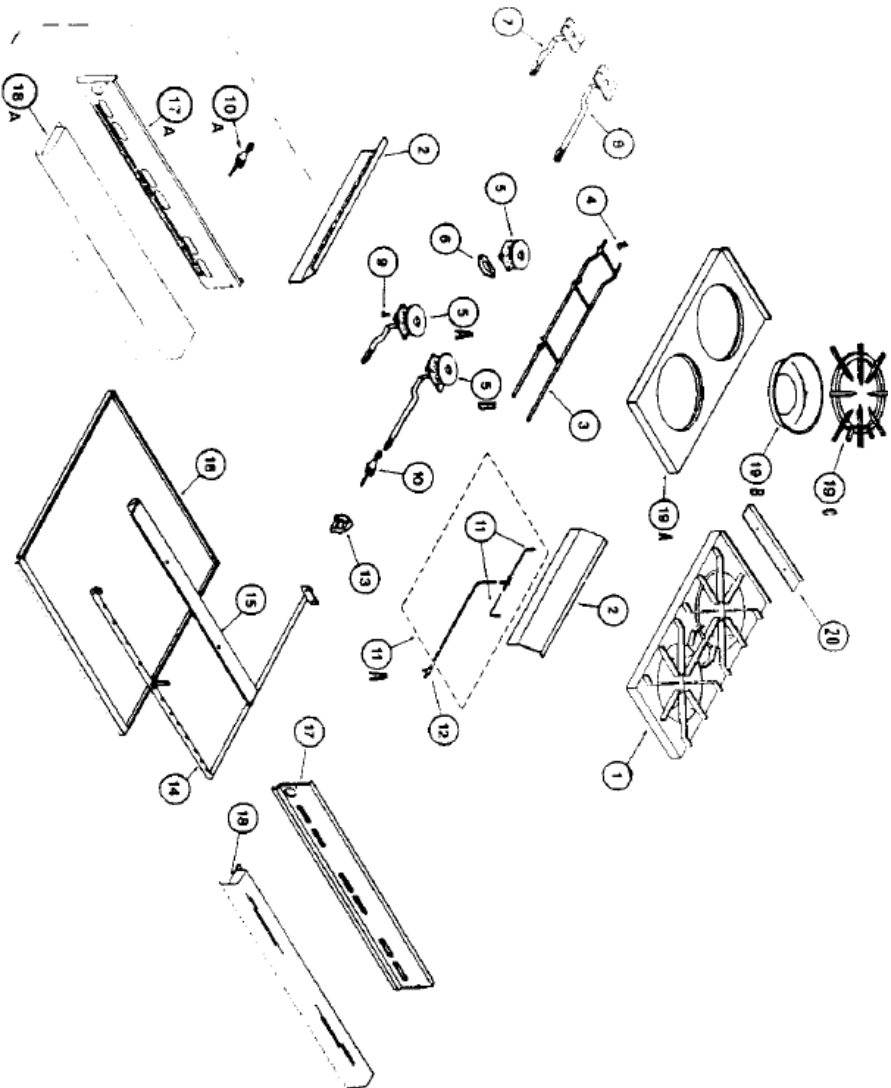
25 KBTU Thermostat Frytop Style

- 3A ... 26869-0 ... Dial, Thermostat-25 KBTU
- 7A ... 28045-3 ... Grease Container Frytop-25 KBTU
- 16A ... 26901-8 ... Panel, Control-25 KBTU
- 25A ... 26674-4 ... Rail, Front Guard-25 KBTU
- 26A ... 26870-4 ... Bezel, Thermostat-25 KBTU



The Montague Company
 1830 Stearman Avenue, P.O. Box 4954, Hayward, CA 94540-4954

MONTAGUE OPEN TOP SECTION--EXPLODED VIEW



Item Part # Description

- 1 ... 25429-0 ... Cast Iron Top
- 2 ... 14040-6 ... Deflector, Drip
- 3 ... 18873-7 ... Support, Burner
- 4 ... 01388-9 ... Clamp, Burner Support
- 5 ... 03371-5 ... Burner, Head-Round
- 5A ... 15589-6 ... Burner, Front-Complete
- 5B ... 15591-8 ... Burner, Rear-Complete
- 6 ... 02115-6 ... Gasket, Burner
- 7 ... 11778-1 ... Venturi-Front Burner
- 8 ... 11777-3 ... Venturi-Rear Burner
- 9 ... 06976-0 ... Screw, Cap-Burner
- 10 ... 02403-1 ... Valve, Top Burner-NAT (4.0"WC)
- ... 01006-5 ... Valve, Top Burner-LP (10.0"WC)
- ... 14608-0 ... Valve, Top Burner-NAT(6.0"WC, Chg #1)
- 11 ... 14051-1 ... Lighter, Pilot
- 11A ... 14033-3 ... Pilot Kit, Open Top-(Less Valve)
- 12 ... 01055-3 ... Valve, Pilot Adjustment
- 13 ... 11790-0 ... Handle, Valve-(Blue)
- 14 ... 14027-9 ... Manifold Assy-(34"unit)
- 15 ... 11875-3 ... Shield, Front Valve-(34"unit)
- 16 ... 04485-7 ... Container, Drip-(34"unit)
- 17 ... 14062-7 ... Panel, Control-(34"unit)
- 18 ... 11787-0 ... Rail, Front Guard-(34"unit)
- 19A ... 11834-6 ... Open Top Section-(2 hole)
- 19B ... 01551-2 ... Bowl, Burner
- 19C ... 11758-7 ... Grate, Top
- 20 ... 23146-0 ... Stop, Angle Bracket-(SGL)
- ... 23180-0 ... Stop, Angle Bracket-(DBL)
- ... 23181-9 ... Stop, Angle Bracket-(TRPL)

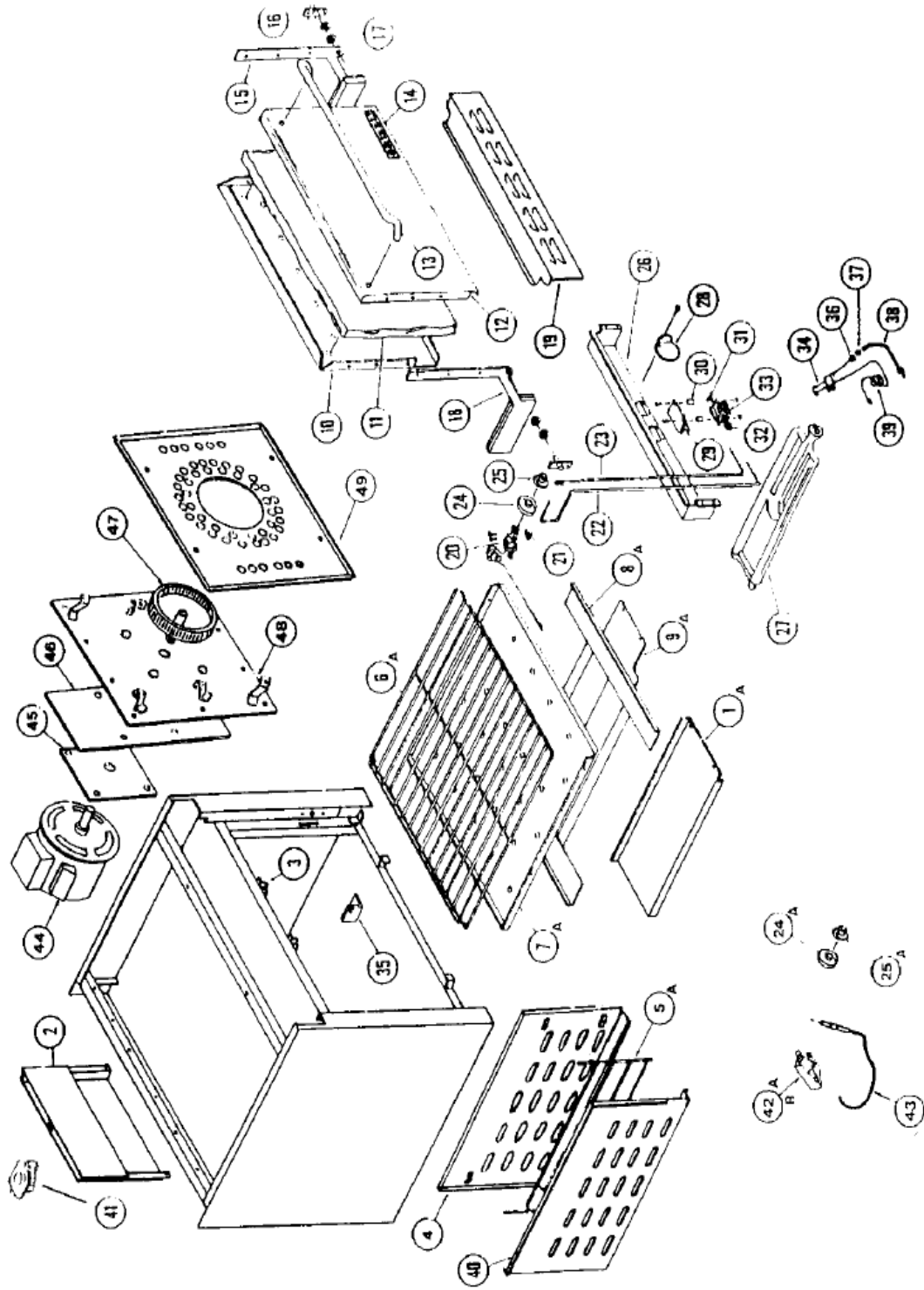
25 KBTU Open Top Style

- 10A ... 02570-4 ... Valve, Top Burner
- 17A ... 26888-7 ... Panel, Control-(34"unit)-25 KBTU
- 18A ... 26674-4 ... Rail, Front Guard-(34"unit)-25 KBTU



The Montague Company
 1830 Stearman Avenue, P.O. Box 4954, Hayward, CA 94540-4954

MONTAGUE GRIZZLY G26- EXPLODED VIEW



The Montague Company
 1500 ... man Avenue, P.O. Box 4954, Hayward, CA 94540-4954

