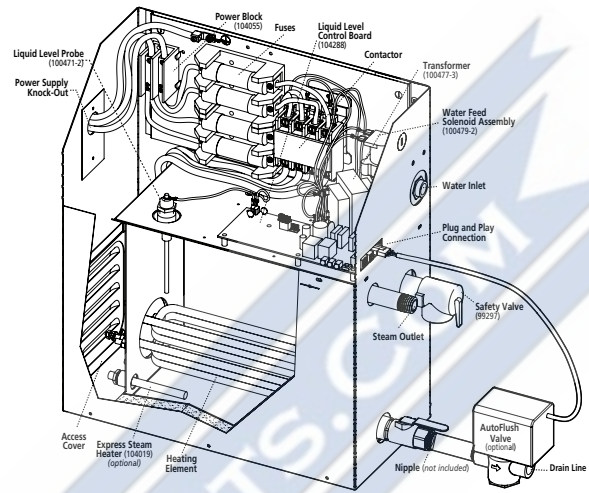
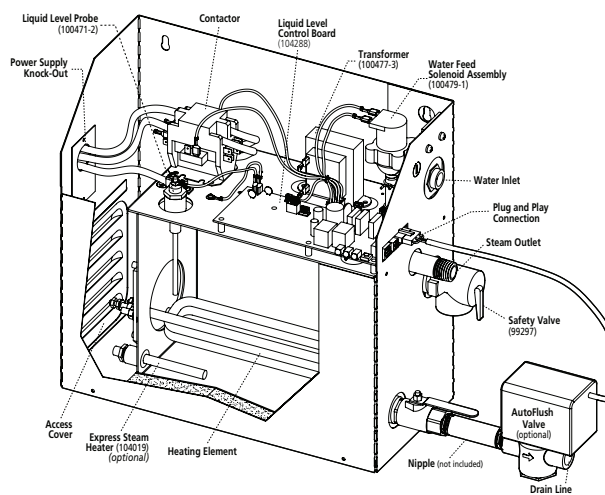


“E” Series: Produced from June 2008 to Present, SN 90000 and higher

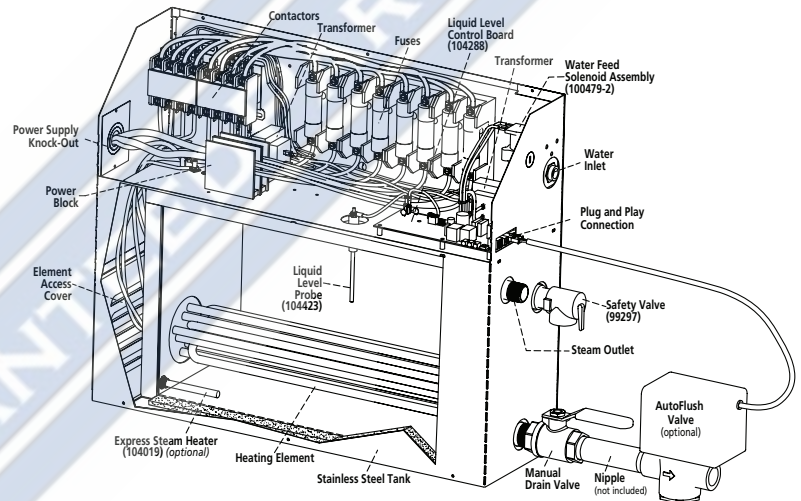
**Models MS90E - MS400E** Shown with cover removed and with optional AutoFlush® and Express Steam® features.

**Models Super1E- Super 6E** Shown with cover removed and with optional AutoFlush and Express Steam features.



**Models MX4E-MX6E**

shown with cover removed and with optional AutoFlush and Express Steam features.



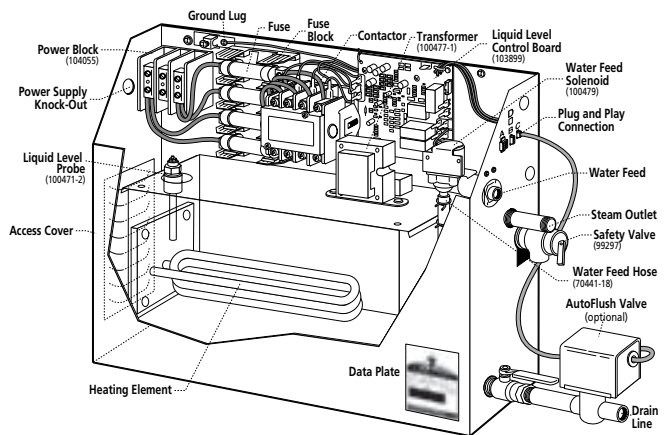
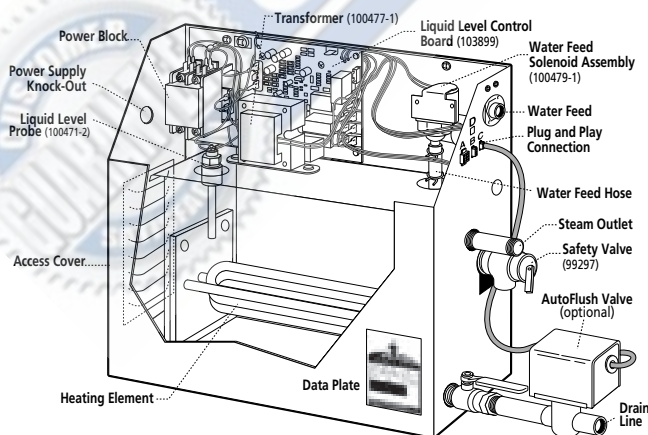
“T” Series: Produced from April 2003 to May 2008, SN 35500 to 899999

**Models 65T - MS 400T**

Shown with cover removed and with optional AutoFlush

**Models MS SUPER T - MS SUPER 6T**

Shown with cover removed and with optional AutoFlush



MODELS MS 90E-400E, MS SUPER 1E-SUPER 6E, MX4E-MX6E  
 MODELS MS 65T-400T, MS SUPER 1T-SUPER 6T

**PART No. DESCRIPTION****ELEMENTS**

29041BMS 4.5KW 208V 1PH MS65

29041CMS 4.5KW 240V 1PH MS65

29043CMS 4.5KW 240V 3PH MS65

29043BMS 4.5KW 208V 3PH MS65

29051BMS 5KW 208V 1PH MS90

29051CMS 5KW 240V 1PH MS90

29053CMS 5KW 240V 3PH MS90

29053BMS 5KW 208V 3PH MS90

29061BMS 6KW 208V 1PH MS150

29061CMS 6KW 240V 1PH MS150

29063CMS 6KW 240V 3PH MS150

29063BMS 6KW 208V 3PH MS150

29071BMS 7.5KW 208V 1PH MS225

29071CMS 7.5KW 240V 1PH MS225

29073BMS 7.5KW 208V 3PH MS225

29073CMS 7.5KW 240V 3PH MS225

29081BMS 8.5Kw 208V 1PH MS300

29081CMS 8.5Kw 240V 1PH MS300

29083BMS 8.5Kw 208V 3PH MS300

29083CMS 8.5Kw 240V 3PH MS300

29091BMS 9KW 208V 1PH MS400

29091CMS 9KW 240V 1PH MS400

29093BMS 9KW 208V 3PH MS400

29093CMS 9KW 240V 3PH MS400

29101BMS 10KW 208V 1PH MS SUPER 1

29101CMS 10KW 240V 1PH MS SUPER 1

29103BMS 10KW 208V 3PH MS SUPER 1

29103CMS 10KW 240V 3PH MS SUPER 1

29121BMS 12KW 208V 1PH MS SUPER 2

29121CMS 12KW 240V 1PH MS SUPER 2

29123BMS 12KW 208V 3PH MS SUPER 2

29123CMS 12KW 240V 3PH MS SUPER 2

29151BMS 15KW 208V 1PH MS SUPER 3

**PART No. DESCRIPTION**

29151CMS 15KW 240V 1PH MS SUPER 3

29153BMS 15KW 208V 3PH MS SUPER 3

29153CMS 15KW 240V 3PH MS SUPER 3

99096MS Gasket 4<sup>1</sup>/<sub>2</sub>" diameter (for all MS and Super elements, compound not required)

29201BMS 20KW 208V 1PH MX4E

29201CMS 20KW 240V 1PH MX4E

29203BMS 20KW 208V 3PH MX4E

29203CMS 20KW 240V 3PH MX4E

29241BMS 24KW 208V 1PH MX5E

29241CMS 24KW 240V 1PH MX5E

29243BMS 24KW 208V 3PH MX5E

29243CMS 24KW 240V 3PH MX5E

29301BMS 30KW 208V 1PH MX6E

29301CMS 30KW 240V 1PH MX6E

29303BMS 30KW 208V 3PH MX6E

29303CMS 30KW 240V 3PH MX6E

99096MX Gasket 5<sup>3</sup>/<sub>4</sub>" for MX4E-6E only

MODELS MS 90E-400E, MS SUPER 1E-SUPER 6E, MS 65T-400T, MS SUPER 1T-SUPER 6T and MX4E-MX6E

<b>PART No.</b>	<b>DESCRIPTION</b>
<b>MISC. PARTS</b>	
MSTS	Room Sensor with Integral 30' Cable (for E Series and T Series)
MSTS-60	Room Sensor with Integral 60' Cable (for E Series and T Series)
103904	12 ft. Cable for Connecting Two Generators
103917	30 ft. Cable for Connecting up to Five Generators
100471-2	Water Level Probe (MS and SUPER only)
100477-1	Transformer 208-240/24 VAC (MS "T" Models Only)
100477-3	Transformer 208-240/24 VAC (MS "E" & MX Models Only)
100479-1	Water Feed Solenoid (for MS90-400) - Includes Hose & Clamps
100479-2	Water Feed Solenoid (for SUPER1-3 & MX) - Includes Hose & Clamps
103534	MS Element Wire 15 1/2" (2 per)
103577	MS SUPER Element Wire 19" (2 per)
103578	MS SUPER Element Wire 22" (2 per)
103579	MS SUPER Terminal Block for Fuse Block (8 per)
99314	Power Fuse 60A 250V (MS SUPER 1- 6 & MX 1PH)
104055	Power Block
103660	Fuse Block
MS81500E	AutoFlush
103899	Liquid Level Control Board (MS "T" Models Only)
104288	Liquid Level Control Board (MS "E" Models Only)
99502	Ground Lug
103553	Silicone Sealant- Tube
104415	Power Block (MX4E-5E 208/240 Single Phase)
104416	Power Block (MX units 208/240 3 Phase)
104419	Power Block (MX6E 208/240 Single Phase)
104423	Water Level Probe (MX units)
CT81500	AutoFlush (for MX units)
<b>CONTACTORS</b>	
99012	24V 50A 3 Pole
100476-2	24V 40A 2 Pole
103453	24V 50A 4 Pole
<b>VALVES</b>	
99178FMS	Drain Valve - 1/2" (for MS & SUPER Units)
99297	15 PSIG Safety Valve
104198	Pressure Reducing Valve
103036	Drain Valve 1" (for MX Units)
<b>AudioWizard® 2.0</b>	
104181	Control - Black Only
104126-30	30 ft. Control Cable
<b>AudioSteam3®</b>	
104273	BUS Extender Kit 30 ft.
104273-30	AS3 Cable 30 ft., No Extenders
104273-60	AS3 Cable 60 ft., No Extenders
104317	Single BUS Extender Only (no cable)

PART No.	DESCRIPTION
<b>CONTROLS AND KITS</b>	
<b>iSteam®</b>	
104264BK	iSteam3 Black, Control Only
104264WH	iSteam3 White, Control Only
104117-30	Control Cable, 30 ft.
104117-60	iSteam Cable, 60 ft.
104116	iSteam Rough In Box
104128	iSteam Retrofit Adapter Cable (requires 2 cables) for all iSteam models
<b>AirTempo®</b>	
104208BK	Electronic Assembly Black
104208WH	Electronic Assembly White
104209	Retention Ring (AirTempo Flush)
104210	Flush Mount Box (AirTempo Flush)
104211	Surface Mount Holder (AirTempo Surface)
104212	Air Tempo Receiver
104213PC	Round Bezel (AirTempo Flush)
104213__	Round Bezel (AirTempo Flush) - select finish below and add code
104214PC	Square Bezel (AirTempo Flush)
104214__	Square Bezel (AirTempo Flush) - select finish below and add code
104215PC	Surface Bezel (AirTempo Surface)
104215__	Surface Bezel (AirTempo Surface) - select finish below and add code
104220	AirTempo Cable (3 ft.)
104219	One Battery for AirTempo CR2450 (two required)
<b>AirTempo Round Flush Mount Kit</b>	
104232RD-PC	Polished Chrome
104232RD__	Select finish below and add code
<b>AirTempo Square Flush Mount Kit</b>	
104232SQ-PC	Polished Chrome
104232SQ-__	Select finish below and add code
<b>iTempo® and iTempoPlus® Controls and Covers:</b>	
104108i	iTempo Control-No Cover
104108iPLUS	iTempoPlus Control-No Cover
104109PC	ROUND iTempo & iTempoPlus Control Cover - Polished Chrome
104109__	ROUND iTempo & iTempoPlus Control Cover - select finish below & add code
104109BPC	ROUND iTempo & iTempoPlus Control Cover - finish Black Glass
104109WPC	ROUND iTempo & iTempoPlus Control Cover - finish White Glass
104106PC	SQUARE iTempo & iTempoPlus Control Cover - Polished Chrome
104106__	SQUARE iTempo & iTempoPlus Control Cover- select finish below & add code
104106BPC	SQUARE iTempo & iTempoPlus Control Cover- finish Black Glass
104106WPC	SQUARE iTempo & iTempoPlus Control Cover- finish White Glass
104107i	iTempo 4 Button Rubber Key pad
104107iPLUS	iTempoPlus 7 Button Rubber key pad
104117-30	Control Cable 30'
103990-60	Control Cable 60'
104096	Control Cable Extension Kit
MSTS	Room Sensor 30' (for E Series, T Series & iSteam3, not for use with iSteam & iSteam2.0)
MSTS-60	Room Sensor with Integral 60' Cable (for E Series and T Series)



iSteam3



AirTempo (surface mount)



AirTempo Round Bezel (flush mount)



AirTempo Square Bezel (flush mount)



104232SQ



104232RD



iTempo Square



iTempo Round



iTempoPlus Square



iTempoPlus Round

**Designer Finish Codes for AirTempo, iTempo and iTempoPlus controls:**

- PC= Polished Chrome
- PB= Polished Brass
- SB= Satin Brass
- PN= Polished Nickel
- BN= Brushed Nickel
- BB= Brushed Bronze
- MB= Matte Black
- ORB= Oil Rubbed Bronze
- RAW\*= Custom Plating

\*RAW not available for AirTempo

Prices are FOB factory, Long Island City, NY. Prices are subject to change without notice. Handling charges apply to equipment, accessories and parts orders. All images in this price book are for illustrative purposes only. Many images are altered for presentation purposes. Contact MrSteam for complete product information. Please see page 2 for important safety information regarding the use of this price book.

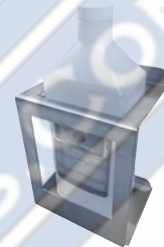


**PART No. DESCRIPTION****AromaSteam Residential Oil Injection System**

103861	Pump Head
E01-1032	Hose (per ft.)
103987	AromaSteam Filter
103983	AromaSteam Syringe (independent of pump style)
104322	AromaSteam Priming Tube 6" (independent of pump style)
104318	AromaFlo, 1L Oil Caddy (independent of pump style)
104319	AromaFlo, 1G Oil Caddy (independent of pump style)
103918	AromaSteam Atomizing Nozzle
103936	MS Aroma Demand Button
104023	AromaSteam Compression Nut
104159	Aroma Valve Kit



AromaSteam Oil Injection Pump



AromaSteam Caddy

**AromaSteam "E" Style Residential Oil Injection System**

104239	Pump Head, "E" Style
104240	Check Valve, "E" Style
104241	Foot Valve, "E" Style
104250	Hose Connectors, "E" Style
104255	Hose- "E" Aroma Pump (per foot)
104275	Aroma Pump O-Ring Kit
104307	Request Cable



AromaSteam Oil Injection Pump "E" Style

**AromaSteam Essential Oils for AromaSteam System only**

MS-OIL1	AromaSteam Oil, 1L. (33 oz.) Eucalyptus
MS-OIL2	AromaSteam Oil, 1L. (33 oz.) Lavender
MS-OIL3	AromaSteam Oil, 1L. (33 oz.) Evergreen
MS-OIL4	AromaSteam Oil, 1L. (33 oz.) Energizing Mint
MS-OIL5	AromaSteam Oil, 1L. (33 oz.) Breathe



Aroma Essential Oil 1 Liter Bottle



**Chroma72®**

103960	28 LED Replacement Cluster for MS CHROMA
104119	72 LED Replacement Cluster for MS CHROMA-72
104024	Cable Assembly for MS Chroma eTempo



ChromaSteam

**ChromaSteam3**

104277BK	Chroma3 LED, Black Lens
104277WH	Chroma3 LED, White Lens
104268-30	Cable, MSChroma3 30 ft.
104268-60	Cable, MSChroma3 60 ft.
104313	Chroma3 Duo Cable



ChromaSteam3

**WALL SEAT- Original Design**

104052PC	Hardwall Bracket Kit- Polished Chrome
104052BN	Hardwall Bracket Kit- Brushed Nickel
104052ORB	Hardwall Bracket Kit- Oil Rubbed Bronze



Original Wall Seat

**WALL SEAT- New Design**

104282PC	Wall Seat Bracket Kit- Polished Chrome
104282BN	Wall Seat Bracket Kit- Brushed Nickel
104282PN	Wall Seat Bracket Kit-Polished Nickel
104282SB	Wall Seat Bracket Kit- Satin Brass



New Wall Seat

**MS LIGHT**

104073	Bulb Replacement 13 Watt, Compact Fluorescent
--------	---



MS Light

**MS RECESSED LIGHT**

104193	Bulb Replacement 50 Watt, PAR 30 Wide Flood Bulb
--------	--



Recessed Light

