

mr.steam®

Feel Good Inc.

# PARTS PRICEBOOK

2024 Residential and Commercial / Steambaths & Towel Warmers



Feel Good Inc.®

**WARNING**

Read this important safety information before using this Price Book.

The parts pricebook is a catalog of replacement parts available for MrSteam residential steam generators, commercial steam boilers and towel warmers. It is not a complete catalog. Please contact MrSteam Technical or Customer Service if you do not find the part you require.

MrSteam products may contain live electrical or plumbing components. Any diagnostics, service or repair of any MrSteam electrical product must be accomplished by a qualified and licensed electrician.

Any diagnostics, service or repair on any MrSteam plumbing components must be accomplished by a qualified and licensed plumber.

This parts price book contains diagrams, information and descriptions for identifying parts and prices. No diagrams, information or descriptions are intended for the installation, maintenance, diagnosis, service or repair of any MrSteam product. All installations, operations and maintenance must be performed by a qualified and licensed electrician or plumber when using the appropriate installation, operation and maintenance manuals. These manuals are supplied with the product.

Installation, Operation and Maintenance Manuals are available at no charge from MrSteam or can be downloaded from the MrSteam web site [www.mrsteam.com](http://www.mrsteam.com).

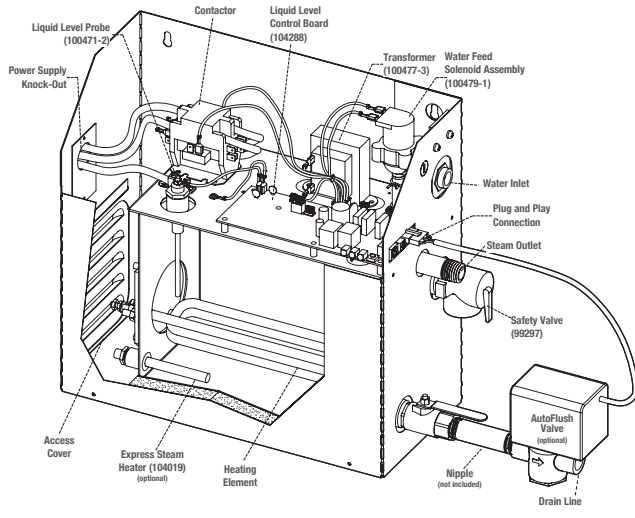
Please contact MrSteam Technical or Customer Service Representatives with any questions or assistance.

All drawings are for illustrative purposes only. Some components may be omitted or altered for clarity. All installations, services, diagnostics and repairs are to be performed by qualified and licensed electricians and plumbers only and in accordance with the appropriate Installation, Operation & Maintenance Manual. Installations, services, diagnostics and repairs by unqualified persons or failure to use MrSteam parts may result in property damage, serious personal injury, or death. Product prices and specifications are subject to change without notice.

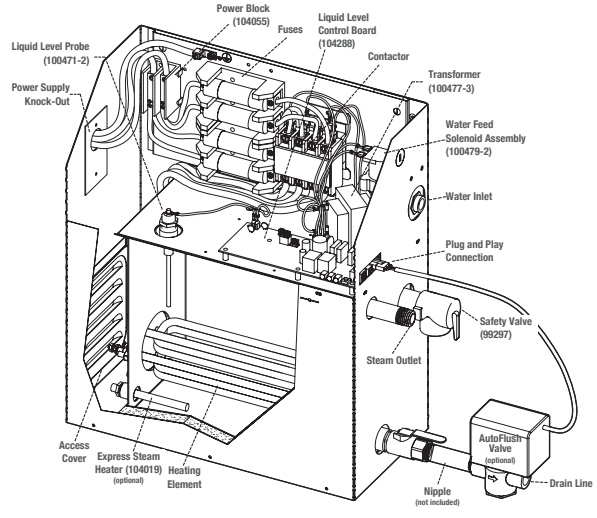
Prices are FOB factory, Long Island City, NY • Prices are subject to change without notice • Handling charges apply to equipment, accessories and parts orders.  
See product packaging and labeling for additional important information. All images in this price book are for illustrative purposes only.  
Many images are altered for presentation purposes. Contact MrSteam for complete product information.

**"E" Series:** Produced from June 2008 to Present, SN 900000 & higher

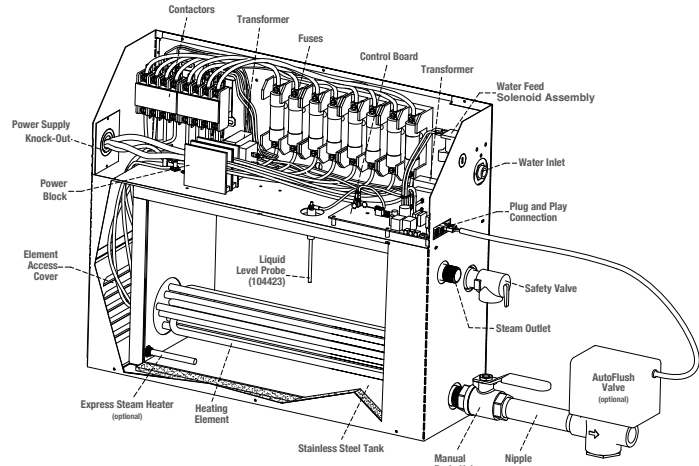
**Models MS90E - MS400E** Shown with cover removed and with optional AutoFlush® and Express Steam® features.



**Models Super1E - Super6E** Shown with cover removed and with optional AutoFlush® and Express Steam® features.



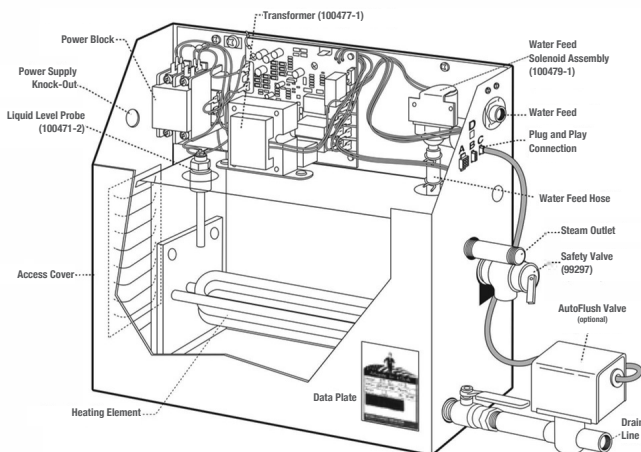
**Models MX4E - MX6E** Shown with cover removed and with optional AutoFlush® and Express Steam® features.



**"T" Series:** Produced from April 2003 to May 2008, SN 355500 to 899999

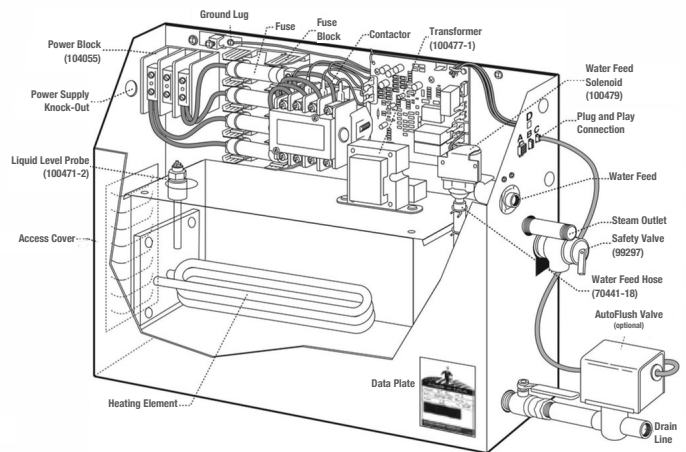
**Models MS65T-MS400T**

Shown with cover removed and with optional AutoFlush



**MSSuper1T-MSSuper6T**

Shown with cover removed and with optional AutoFlush



All images in this price book are for illustrative purposes only. Many images are altered for presentation purposes.

Contact MrSteam for complete product information. Please see page 2 for important safety information regarding the use of this price book.

# MS Residential Steambath Generators

mr.steam®

Models MS 90E-400E, MS Super 1E - Super 6E,  
Models MS 65T-400T, MS Super 1T - Super 6T and MX4E-MX6E

## ELEMENTS

PART No.	DESCRIPTION	PRICE	PART No.	DESCRIPTION	PRICE
29041BMS	4.5KW 208V 1PH MS65	\$433.50	29121BMS	12KW 208V 1PH MS SUPER 2	\$561.00
29041CMS	4.5KW 240V 1PH MS65	\$433.50	29121CMS	12KW 240V 1PH MS SUPER 2	\$561.00
29043CMS	4.5KW 240V 3PH MS65	\$433.50	29123BMS	12KW 208V 3PH MS SUPER 2	\$561.00
29043BMS	4.5KW 208V 3PH MS65	\$433.50	29123CMS	12KW 240V 3PH MS SUPER 2	\$561.00
29051BMS	5KW 208V 1PH MS90	\$433.50	29151BMS	15KW 208V 1PH MS SUPER 3	\$561.00
29051CMS	5KW 240V 1PH MS90	\$433.50	29151CMS	15KW 240V 1PH MS SUPER 3	\$561.00
29053CMS	5KW 240V 3PH MS90	\$433.50	29153BMS	15KW 208V 3PH MS SUPER 3	\$561.00
29053BMS	5KW 208V 3PH MS90	\$433.50	29153CMS	15KW 240V 3PH MS SUPER 3	\$561.00
29061BMS	6KW 208V 1PH MS150	\$433.50	29201BMS	20KW 208V 1PH MX4E	\$714.00
29061CMS	6KW 240V 1PH MS150	\$433.50	29201CMS	20KW 240V 1PH MX4E	\$714.00
29063CMS	6KW 240V 3PH MS150	\$433.50	29203BMS	20KW 208V 3PH MX4E	\$714.00
29063BMS	6KW 208V 3PH MS150	\$433.50	29203CMS	20KW 240V 3PH MX4E	\$714.00
29071BMS	7.5KW 208V 1PH MS225	\$433.50	29241BMS	24KW 208V 1PH MX5E	\$714.00
29071CMS	7.5KW 240V 1PH MS225	\$433.50	29241CMS	24KW 240V 1PH MX5E	\$714.00
29073BMS	7.5KW 208V 3PH MS225	\$433.50	29243BMS	24KW 208V 3PH MX5E	\$714.00
29073CMS	7.5KW 240V 3PH MS225	\$433.50	29243CMS	24KW 240V 3PH MX5E	\$714.00
29081BMS	8.5KW 208V 1PH MS300	\$433.50	29301BMS	30KW 208V 1PH MX6E	\$714.00
29081CMS	8.5Kw 240V 1PH MS300	\$433.50	29301CMS	30KW 240V 1PH MX6E	\$714.00
29083BMS	8.5Kw 208V 3PH MS300	\$433.50	29303BMS	30KW 208V 3PH MX6E	\$714.00
29083CMS	8.5Kw 240V 3PH MS300	\$433.50	29303CMS	30KW 240V 3PH MX6E	\$714.00
29091BMS	9KW 208V 1PH MS400	\$433.50			
29091CMS	9KW 240V 1PH MS400	\$433.50			
29093BMS	9KW 208V 3PH MS400	\$433.50			
29093CMS	9KW 240V 3PH MS400	\$433.50			
29101BMS	10KW 208V 1PH MS SUPER 1	\$561.00			
29101CMS	10KW 240V 1PH MS SUPER 1	\$561.00			
29103BMS	10KW 208V 3PH MS SUPER 1	\$561.00			
29103CMS	10KW 240V 3PH MS SUPER 1	\$561.00			

## EXPRESS STEAM®

PART No.	DESCRIPTION	PRICE
104015	Express Steam Thermostat 183F	\$76.50
104019	Heating Element for Express Steam 50W	\$262.25

## GASKETS

PART No.	DESCRIPTION	PRICE
99096MS	41/2" diameter (for all MS and Super elements, compound not required)	\$22.00
99096MX	5 3/4" diameter (for MX4E-6E elements <b>ONLY</b> , compound not required)	\$25.50

Prices are FOB factory, Long Island City, NY • Prices are subject to change without notice • Handling charges apply to equipment, accessories and parts orders.  
Please see page 2 for important safety information regarding the use of this price book .

Models MS 90E-400E, MS Super 1E - Super 6E,  
Models MS 65T-400T, MS Super 1T - Super 6T and MX4E-MX6E

**MISC. PARTS**

<b>PART No.</b>	<b>DESCRIPTION</b>	<b>PRICE</b>
MSTS	Room Sensor with Integral 30' Cable (for E Series and T Series)	\$225.00
MSTS-60	Room Sensor with Integral 60' Cable (for E Series and T Series)	\$262.25
103904	12 ft. Cable for Connecting Two Generators	\$23.00
103917	30 ft. Cable for Connecting up to Five Generators	\$92.00
100471-2	Water Level Probe (MS and SUPER <b>ONLY</b> )	\$65.50
104423	Water Level Probe (MX units)	\$120.00
100477-1	Transformer 208-240/24 VAC (MS "T" Models <b>ONLY</b> )	\$109.25
100477-3	Transformer 208-240/24 VAC (MS "E" & MX Models <b>ONLY</b> )	\$120.00
100479-1	Water Feed Solenoid (for MS90-400) - Includes Hose & Clamps	\$131.50
100479-2	Water Feed Solenoid (for SUPER1-3 & MX) - Includes Hose & Clamps	\$131.25
103534	MS Element Wire 151/2" (Order 2 per generator)	\$14.25
103577	MS SUPER Element Wire 19" (Order 2 per generator)	\$11.00
103578	MS SUPER Element Wire 22" (Order 2 per generator)	\$13.25
103579	MS SUPER Internal fuse block wiring (8 needed per generator)	\$6.75
99314	Power Fuse 60A 250V (MS SUPER 1- 6 & MX 1PH)	\$22.00
104055	Power Block	\$65.50
103660	Fuse Block	\$87.25
MS81500E	AutoFlush	\$550.00
CT81500	AutoFlush (for MX units)	\$580.00
104288	Liquid Level Control Board (MS "E" Models <b>ONLY</b> )	\$425.50
99502	Ground Lug	\$11.00
103553	Silicone Sealant - Tube	\$32.75
103962	Super 1 power wiring terminal block to contactor (4 per generator)	\$12.24
103988	Wiring Harness MS/SUPER	\$14.28
104411	MX wiring harness	\$43.86
104415	Power Block (MX6E 240v Single Phase)	\$239.75
104416	Power Block (MX units 208/240 3 Phase)	\$196.50
104419	Power Block (MX6E 208 Single Phase Only)	\$327.50

**CONTACTORS**

99012	24V 50A 3 Pole	\$239.75
100476-2	24V 40A 2 Pole	\$163.25
103453	24V 50A 4 Pole	\$425.50

**VALVES**

99178FMS	Drain Valve - 1/2" (for MS & SUPER Units)	\$87.25
99297	15PSI Safety Valve	\$49.00
104198	Pressure Reducing Valve	\$229.50
103036	Drain Valve 1" (for MX Units)	\$88.00

Prices are FOB factory, Long Island City, NY • Prices are subject to change without notice • Handling charges apply to equipment, accessories and parts orders.  
Please see page 2 for important safety information regarding the use of this price book .

**CONTROLS & KITS**

PART No.	DESCRIPTION	PRICE
<b>iSteam®3</b>		
104264BK	iSteam3 Black, Control <b>ONLY</b>	\$1,474.00
104264WH	iSteam3 White, Control <b>ONLY</b>	\$1,474.00
104117-30	Control Cable, 30 ft.	\$130.05
104117-60	iSteam Cable, 60 ft.	\$235.00
104116	iSteam Rough In Box	\$32.75
104128	iSteam Retrofit Adapter Cable (requires 2 cables) for all iSteam models	\$76.50



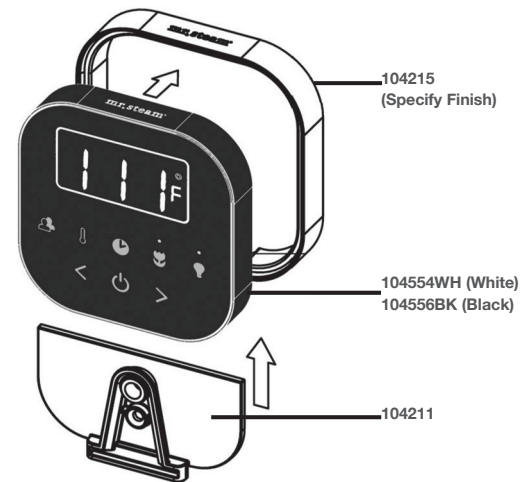
iSteam3

**AirTempo®**

104554WH	Electronic Assembly White	\$938.50
104556BK	Electronic Assembly Black	\$938.50
104209	Retention Ring (AirTempo Flush)	\$22.00
104210	Flush Mount Box (AirTempo Flush)	\$47.00
104211	Surface Mount Holder (AirTempo Mount Holder)	\$32.75
104212	AirTempo Dongle	163.25
104301	AirTempo Battery Cover (2 used on each AirTempo)	\$13.26
104301OS	Old Style AirTempo Battery Cover (2 used on each AirTempo)	\$13.26
104557	Dongle-AirTempo® Receiver	\$163.20
104213PC	Round Bezel (AirTempo Flush Mount Bezel)	\$65.50
104213XX	Round Bezel (AirTempo Flush Mount Bezel) - select finish below and add code	\$65.50
104214PC	Square Bezel (AirTempo Flush)	\$65.50
104214XX	Square Bezel (AirTempo Flush) select finish below and add code	\$65.50
104215PC	Surface Mount Bezel (AirTempo Surface)	\$65.50
104215XX	Surface Mount Bezel (AirTempo Surface) select finish below and add code	\$65.50
104219	One Battery for AirTempo CR2450 (two required)	\$11.00
104220	AirTempo Cable (3 ft.)	\$65.50

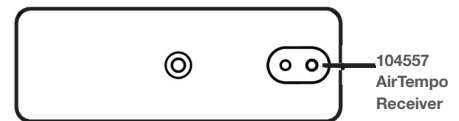


AirTempo



**Designer Finish Codes for AirTempo controls:**

- PC= Polished Chrome
- PB= Polished Brass
- SB= Satin Brass
- PN= Polished Nickel
- BN= Brushed Nickel
- BB= Brushed Bronze
- MB= Matte Black
- OB= Oil Rubbed Bronze
- \*RAW not available for AirTempo



104557  
AirTempo  
Receiver

Prices are FOB factory, Long Island City, NY • Prices are subject to change without notice • Handling charges apply to equipment, accessories and parts orders. See product packaging and labeling for additional important information. All images in this price book are for illustrative purposes only. Many images are altered for presentation purposes. Contact MrSteam for complete product information. Please see page 2 for important safety information regarding the use of this price book.

**CONTROLS & KITS**

PART No.	DESCRIPTION	PRICE
----------	-------------	-------

**AirTempo Round Flush Mount Kit**

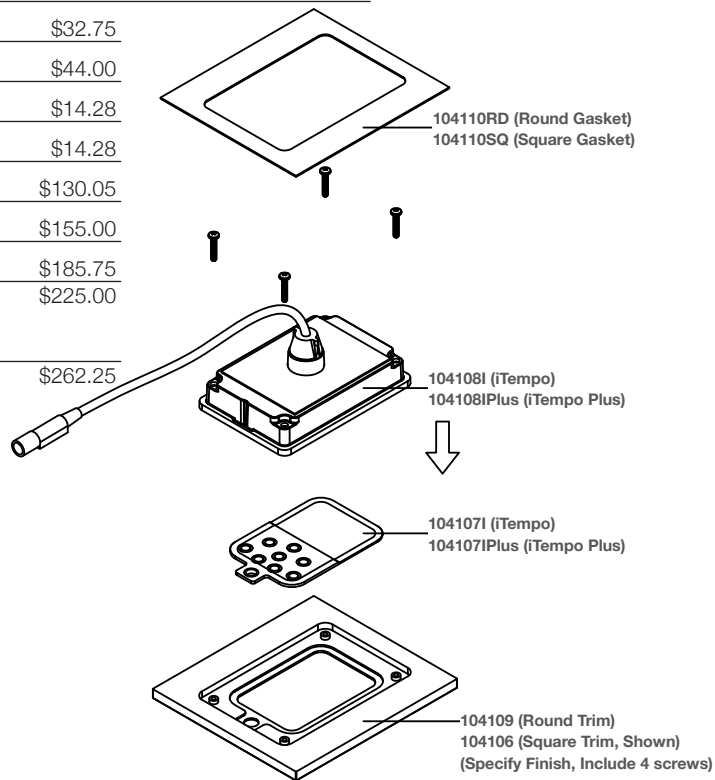
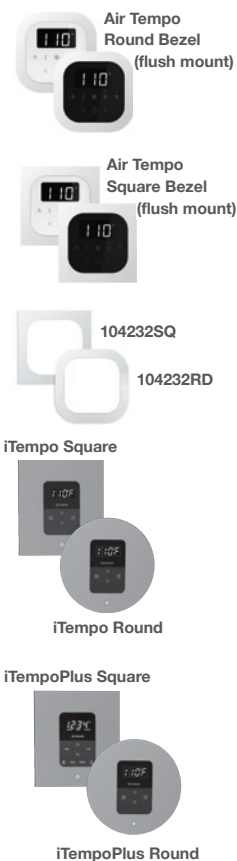
104232RD-PC	Polished Chrome	\$125.00
104232RD-XX	Select finish below and add code	\$130.00

**AirTempo Square Flush Mount Kit**

104232SQ-PC	Polished Chrome	\$125.00
104232SQ-XX	Select finish below and add code	\$130.00

**iTempo® & iTempoPlus® Controls and Covers:**

104108I	iTempo Control-No Cover	\$578.50
104108IPLUS	iTempoPlus Control-No Cover	\$1,157.75
104109PC	ROUND iTempo & iTempoPlus Control Cover - Polished Chrome	\$109.25
104109XX	ROUND iTempo & iTempoPlus Control Cover - <i>select finish below &amp; add code</i>	\$174.50
104109BPC	ROUND iTempo & iTempoPlus Control Cover - finish Black Glass	\$174.50
104109WPC	ROUND iTempo & iTempoPlus Control Cover - finish White Glass	\$174.50
104106PC	SQUARE iTempo & iTempoPlus Control Cover - Polished Chrome	\$109.25
104106XX	SQUARE iTempo & iTempoPlus Control Cover - <i>select finish below &amp; add code</i>	\$174.50
104106BPC	SQUARE iTempo & iTempoPlus Control Cover - finish Black Glass	\$174.50
104106WPC	SQUARE iTempo & iTempoPlus Control Cover - finish White Glass	\$174.50
104107I	iTempo 4 Button Rubber Key pad	\$32.75
104107IPLUS	iTempoPlus 8 Button Rubber Key pad	\$44.00
104110RD	Gasket, iTempo Adhesive ROUND	\$14.28
104110SQ	Gasket, iTempo Adhesive SQUARE	\$14.28
104117-30	Control Cable 30'	\$130.05
103990-60	Control Cable 60'	\$155.00
104096	Control Cable Extension Kit, iTempo™ Only	\$185.75
MSTS	Room Sensor 30' <i>(for E Series, T Series, iSteam3 &amp; iSteamX, not for use with iSteam &amp; iSteam2.0)</i>	\$225.00
MSTS-60	Room Sensor with Integral 60' Cable <i>(for E Series, T Series, iSteam3 &amp; iSteamX, not for use with iSteam &amp; iSteam2.0)</i>	\$262.25



**Designer Finish Codes for iTempo and iTempoPlus controls:**

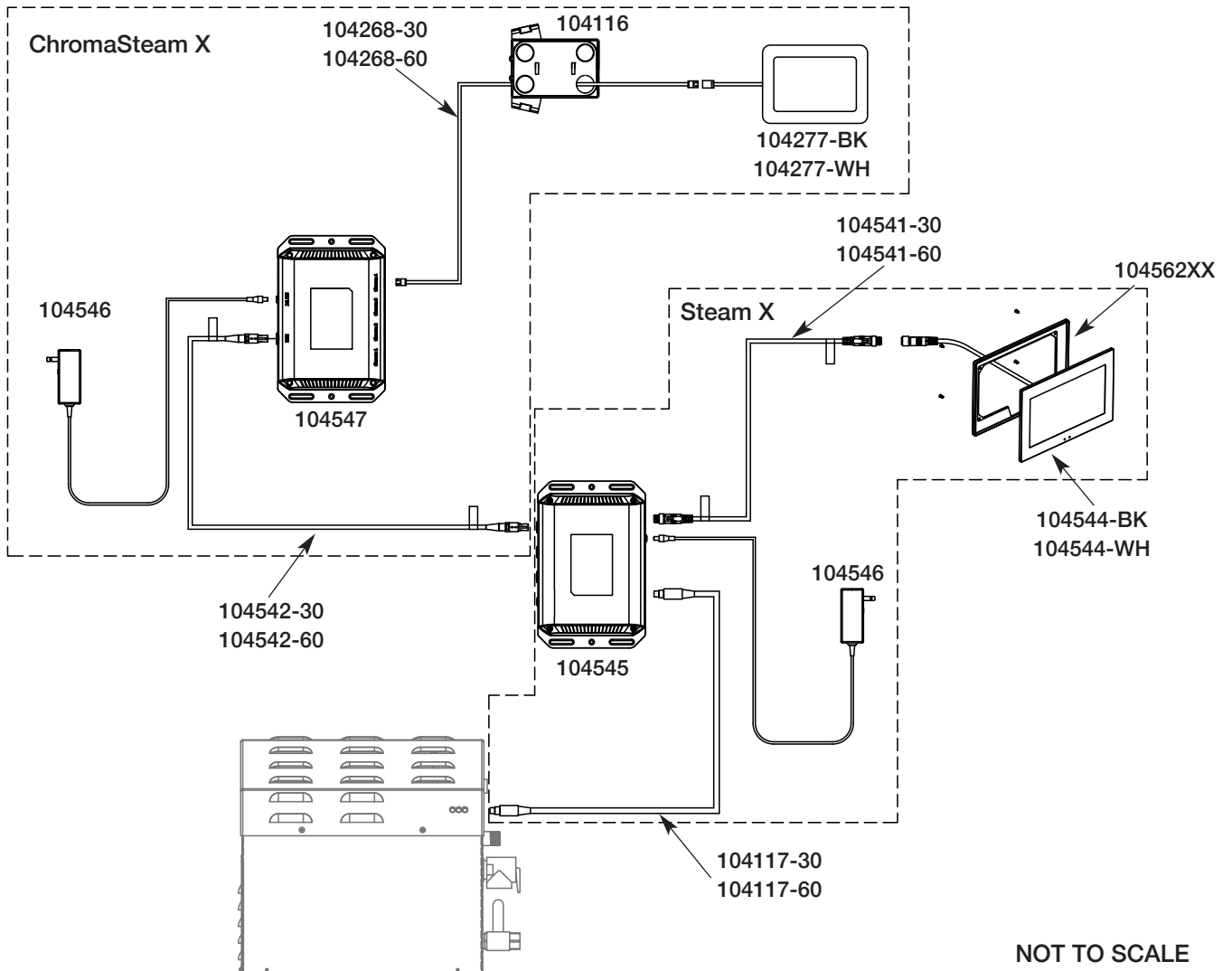
- PC= Polished Chrome
- PB= Polished Brass
- SB= Satin Brass
- PN= Polished Nickel
- BN= Brushed Nickel
- BB= Brushed Bronze
- MB= Matte Black
- OB= Oil Rubbed Bronze
- RAW= Custom Plating

Prices are FOB factory, Long Island City, NY • Prices are subject to change without notice • Handling charges apply to equipment, accessories and parts orders. See product packaging and labeling for additional important information. All images in this price book are for illustrative purposes only. Many images are altered for presentation purposes. Contact MrSteam for complete product information. Please see page 2 for important safety information regarding the use of this price book.

**CONTROLS & KITS**

PART No.	DESCRIPTION	PRICE
<b>ChromaSteam X</b>		
104547	LED Driver	\$357.00
104546	Hub power supply	\$153.00
104268-30	LED cluster power cable 30 ft	\$70.00
104268-60	LED cluster power cable 60 ft	\$98.50
104542-30	Driver communication cable 30 ft	\$63.25
104542-60	Driver communication cable 60 ft	\$121.50
104116	LED cluster rough in box	\$32.75
104277BK	LED cluster Black	\$612.00
104277WH	LED cluster White	\$612.00

PART No.	DESCRIPTION	PRICE
<b>iSTEAM X</b>		
104541-30	30 Foot Cable	\$76.50
104541-60	60 Foot Cable	\$119.00
104117-30	30 Foot Control Cable	\$130.05
104117-60	60 Foot Control Cable	\$235.00
104545	Hub	\$357.00
104546	Hub Power Supply	\$153.00
104544BK	Black fascia iSteamX control only	\$1,938.00
104544WH	White fascia iSteamX control only	\$1,938.00
104562XX	Bezel, where XX represents the finish code	\$153.00
104572	iSteam to iSteamX Wall Adapter	\$91.80



NOT TO SCALE

Prices are FOB factory, Long Island City, NY • Prices are subject to change without notice • Handling charges apply to equipment, accessories and parts orders. Please see page 2 for important safety information regarding the use of this price book.



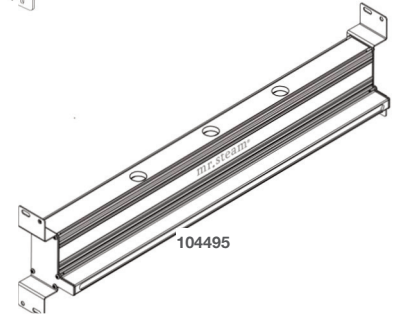
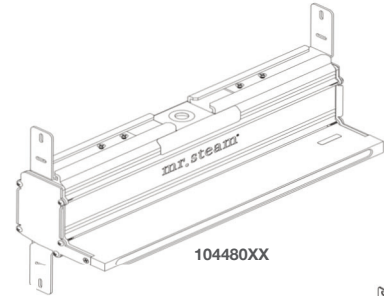
# MS Residential SteamBath SteamHeads

mr.steam®

Models MS 90E-400E, MS Super 1E - Super 6E,  
Models MS 65T-400T, MS Super 1T - Super 6T and MX4E-MX6E

## STEAMHEADS

PART No.	DESCRIPTION	PRICE
<b>LINEAR STEAMHEADS</b>		
104482PC	Linear - Aromatray For LSH	\$207.75
104482XX	AromaTray (where XX represents the finish code)	\$207.75
104483PC	Linear - LSH Faceplate	\$131.25
104483XX	Faceplate (where XX represents the finish code)	\$131.25
104485PC	Escutcheon - Polished Chrome	\$207.75
104486PC	Diverter - Polished Chrome	\$214.25
104486XX	Diverter (where XX represents the finish code)	\$224.50
104480PC	Linear SteamHead for MS90 to MS Super 3, For Super 4E-6E and MX4E-MX6E requires (2) SteamHeads - Polished Chrome	\$750.00
104480XX	Linear SteamHead for MS90 to MS Super 3, For Super 4E-6E and MX4E-MX6E requires (2) SteamHeads - (where represents Polished Chrome)	\$900.00
104484	MS - Diverter for Linear Steam Head	\$188.75
104495	27" Linear SteamHead for MX4E - MX6E requires (1) SteamHead	\$850.00
104491	Diverter for 27" Linear SteamHead	\$102.00



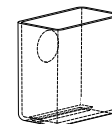
104104



103937



104040



103412

## STEAMHEADS for iSteam® & AirTempo®

104104BK-PC	Black - Polished Chrome	\$275.00
104104BK-XX	Black - select finish below and add code	\$425.00
104104WH-PC	White - Polished Chrome	\$275.00
104104WH-XX	White - select finish below and add code	\$425.00

## ROUND STEAMHEADS for iTempo® & iTempoPlus®

103937PC	SteamHead Round - Polished Chrome	\$230.00
103937XX	SteamHead Round - select finish below & add code	\$375.00
103938	Acrylic Shield (for use with 103937 SteamHeads)	\$80.00

## SQUARE STEAMHEADS for iTempo & iTempoPlus

104040PC	SteamHead Square - Polished Chrome	\$230.00
104040XX	SteamHead Square - select finish below & add code	\$375.00
103938SQ	Acrylic Shield (for use with 104040 SteamHeads)	\$80.00

## Acrylic Shield for all STEAMHEADS

103412	Box Shaped Acrylic Shield	\$81.75
--------	---------------------------	---------

### Designer Finish Codes:

PC= Polished Chrome  
PB= Polished Brass  
SB= Satin Brass  
PN= Polished Nickel  
BN= Brushed Nickel  
BB= Brushed Bronze  
MB= Matte Black  
OB= Oil Rubbed Bronze  
RAW= Custom Plating

### Note: For iSteam & AirTempo:

**Trim Finish:**  
BK= Black Facia  
WH= White Facia  
PC= Polished Chrome  
PB= Polished Brass  
SB= Satin Brass  
PN= Polished Nickel  
BN= Brushed Nickel  
BB= Brushed Bronze  
MB= Matte Black  
OB= Oil Rubbed Bronze

Prices are FOB factory, Long Island City, NY • Prices are subject to change without notice • Handling charges apply to equipment, accessories and parts orders. See product packaging and labeling for additional important information. All images in this price book are for illustrative purposes only. Many images are altered for presentation purposes. Contact MrSteam for complete product information. Please see page 2 for important safety information regarding the use of this price book.

PART No.	DESCRIPTION	PRICE
<b>AromaSteam Residential Fragrance Metering Pump System</b>		
103861	Pump Head	\$392.75
E01-1032	Hose (per ft.)	\$14.25
103987	AromaSteam Filter	\$174.50
103983	AromaSteam Syringe (independent of pump style)	\$23.00
104322	AromaSteam Priming Tube 6" (independent of pump style)	\$11.00
104318	AromaFlo, 1L Fragrance Caddy (independent of pump style)	\$65.50
104319	AromaFlo, 1G Fragrance Caddy (independent of pump style)	\$87.25
103918	AromaSteam Atomizing Nozzle	\$296.00
104023	AromaSteam Compression Nut	\$23.00
104159	Aroma Valve Kit	\$174.50



AromaSteam Fragrance Metering Pump



AromaSteam Caddy 104318

**AromaSteam "E" Style Residential Fragrance Injection System**

104239	Pump Head, "E" Style	\$425.50
104240	Check Valve, "E" Style	\$196.50
104241	Foot Valve, "E" Style	\$273.50
104250	Hose Connectors, "E" Style	\$44.00
104255	Hose - "E" Aroma Pump (per foot)	\$6.75
104275	Aroma Pump O-Ring Kit (3 piece set)	\$25.50
104307	Request Cable	\$360.25



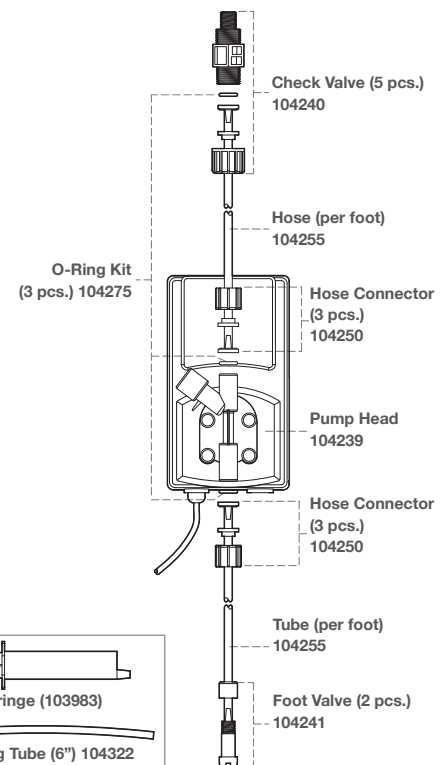
AromaSteam Metering Pump "E" Style

**AromaSteam Fragrances for AromaSteam System ONLY**

MS-OIL1	AromaSteam Fragrance, 1L. (33 oz.) Eucalyptus	\$160.00
MS-OIL2	AromaSteam Fragrance, 1L. (33 oz.) Lavender	\$160.00
MS-OIL3	AromaSteam Fragrance, 1L. (33 oz.) Evergreen	\$160.00
MS-OIL4	AromaSteam Fragrance, 1L. (33 oz.) Energizing Mint	\$160.00
MS-OIL5	AromaSteam Fragrance, 1L. (33 oz.) Breathe	\$160.00

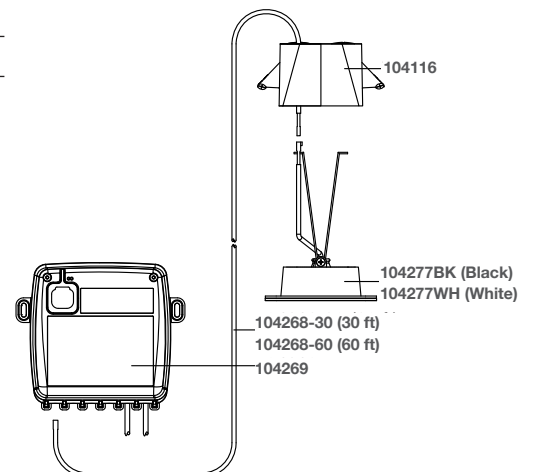
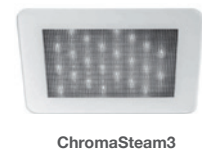
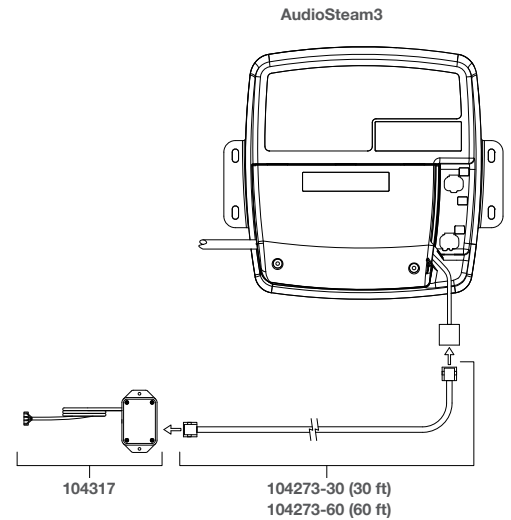


Aroma Fragrance Oil  
1 Liter Bottle



Prices are FOB factory, Long Island City, NY • Prices are subject to change without notice • Handling charges apply to equipment, accessories and parts orders. See product packaging and labeling for additional important information. All images in this price book are for illustrative purposes only. Many images are altered for presentation purposes. Contact MrSteam for complete product information. Please see page 2 for important safety information regarding the use of this price book.

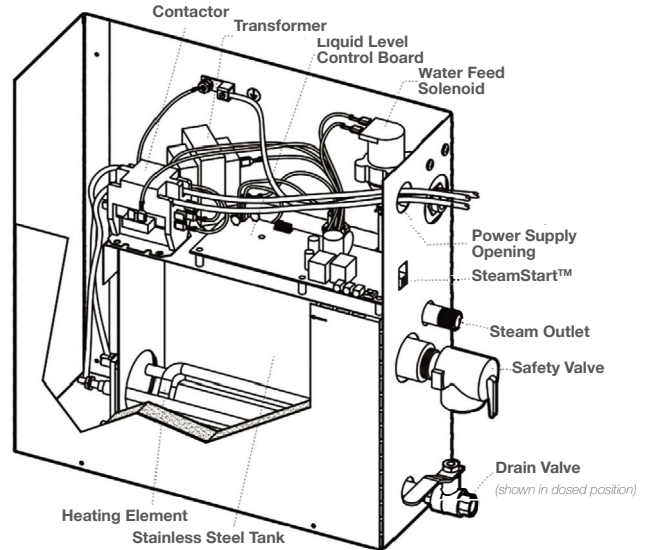
PART No.	DESCRIPTION	PRICE
<b>AudioWizard® 2.0</b>		
104126-30	30 foot Control Cable	\$59.00
104181	Control, AudioWizard Ver 2	218.50
<b>AudioSteam 3</b>		
104317	Single Bus Extender Only	\$163.25
104273	2x Bus Extender Kit w/30-ft cable	\$357.00
104273-30	30 foot AudioSteam3 cable (no bus extenders)	\$44.00
104273-60	60 foot AudioSteam3 cable (no bus extenders)	\$87.25
MSAS3	AudioSteam3	\$1,255.62
<b>AudioX</b>		
AudioXWH	White AudioX System	\$895.00
AudioXBK	Black AudioX System	\$895.00
<b>Audio@Home</b>		
MSAH	Music Therapy Audio@Home System	\$994.50
<b>Chroma72®</b>		
103960	28 LED Replacement Cluster for MS CHROMA	\$262.25
104119	72 LED Replacement Cluster for MS CHROMA-72	\$502.00
104024	Cable Assembly for MS Chroma-72	\$120.00
<b>ChromaSteam3</b>		
104277BK	Chroma3 LED, Black Lens	\$612.00
104277WH	Chroma3 LED, White Lens	\$612.00
104268-30	Cable, MSChroma3 30 ft.	\$70.00
104268-60	Cable, MSChroma3 60 ft.	\$98.50
104269	MSChroma3, LED Controller <b>ONLY</b>	\$479.50
104313	Chroma3 Duo Cable	\$273.50
104116	iSteam, Rough-inBox MrSteam	\$32.75



Prices are FOB factory, Long Island City, NY • Prices are subject to change without notice • Handling charges apply to equipment, accessories and parts orders. See product packaging and labeling for additional important information. All images in this price book are for illustrative purposes only. Many images are altered for presentation purposes. Contact MrSteam for complete product information. Please see page 2 for important safety information regarding the use of this price book.

**Models MSAH3000, SAH4500, SAH6000**

PART No.	DESCRIPTION	PRICE
99297	VALVE SAFETY 15PSI 3/4"	\$49.00
103938	ACRYLIC SHIELD, ROUND	\$80.00
100471-2	PROBE WATER LEVEL MS	\$65.50
100476-2	CONTACTOR 24V-MS (50A/2POLE)	\$163.25
100477-3	TRANSFORMER 24VAC	\$120.00
103978-30	eTEMPO START 30-FT CABLE	\$130.56
103978-60	eTEMPO START 60-FT CABLE	\$196.50
100479-1	SOLENOID & HOSE ASSY 24V MS	\$131.25
104288B	BOARD LIQUID LEVEL I3 BUILDERS	\$239.70
19031BMS	ELEMENT 3KW/208/1 BUILDERS	\$402.90
19031CMS	ELEMENT 3KW/240/1 BUILDERS	\$402.90
19041BMS	ELEMENT 4.5KW/208/1 BUILDERS	\$402.90
19041CMS	ELEMENT 4.5KW/240/1 BUILDERS	\$402.90
19061BMS	ELEMENT 6KW/208/1 BUILDERS	\$402.90
19061CMS	ELEMENT 6KW/240/1 BUILDERS	\$402.90
99178FMS	VALVE 1/2" BRASS BALL F/F	\$87.25



Steam@Home Generator

PART No.	DESCRIPTION	PRICE
----------	-------------	-------

**WALL SEAT - Original Design**

104052PC	Wall Seat Bracket Kit- Polished Chrome	\$87.50
104052BN	Wall Seat Bracket Kit- Brushed Nickel	\$98.50
104052ORB	Wall Seat Bracket Kit- Oil Rubbed Bronze	\$98.50



Original Wall Seat

**WALL SEAT - New Design**

104282-PC	Wall Seat Bracket Kit- Polished Chrome	\$229.50
104282-BN	Wall Seat Bracket Kit- Brushed Nickel	\$239.75
104282-PN	Wall Seat Bracket Kit-Polished Nickel	\$239.75
104282-SB	Wall Seat Bracket Kit- Satin Brass	\$239.75



New Wall Seat

**MS LIGHT**

104073	Bulb Replacement 13 Watt, Compact Fluorescent	\$76.50
--------	---	---------



MS Light

**LEDLITE**

104325	Rough-In Plate for LEDLITE	\$87.75
104324AS	LEDLITE fixture <b>ONLY</b> , Satin Aluminum	\$573.25
104324AP	LEDLITE fixture <b>ONLY</b> , Polished Aluminum	\$688.50
104324-1	LEDLITE Driver Box	\$125.50

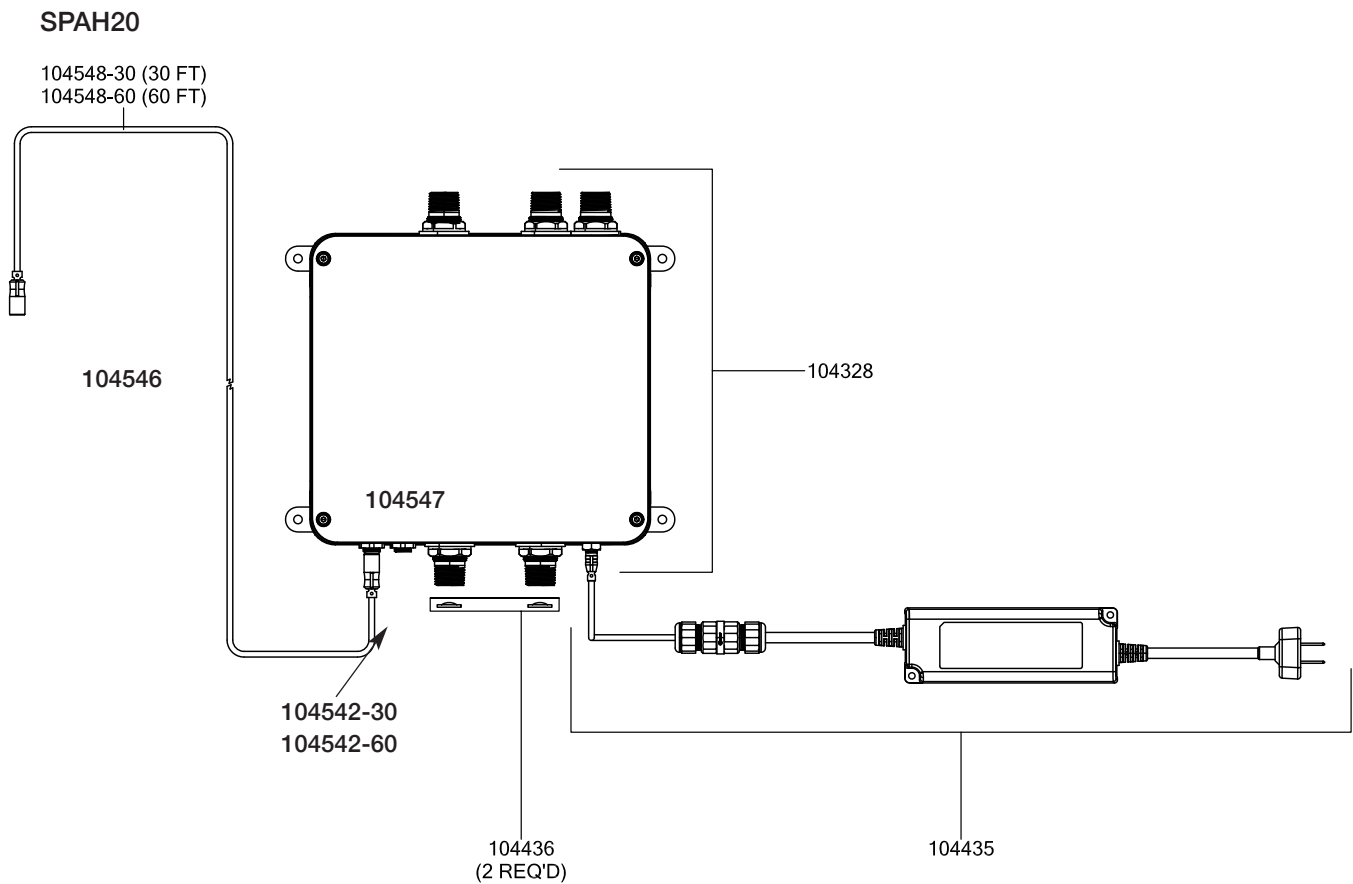


LED Light

Prices are FOB factory, Long Island City, NY • Prices are subject to change without notice • Handling charges apply to equipment, accessories and parts orders.  
 All images in this price book are for illustrative purposes only. Many images are altered for presentation purposes.  
 Contact MrSteam for complete product information. Please see page 2 for important safety information regarding the use of this price book.

**CONTROLS & KITS**

PART No.	DESCRIPTION	PRICE
<b>SPAH2O</b>		
104328	Replacement SPAH2O (valve only)	\$1,800.00
104435	Power supply SPAH2O	\$322.00
104436	½" NPT Filter, SPAH2O (2 needed per valve)	\$5.00
104548-30	30 ft Cable SPAH2O	\$63.25
104548-60	60 ft Cable SPAH2O	\$121.00

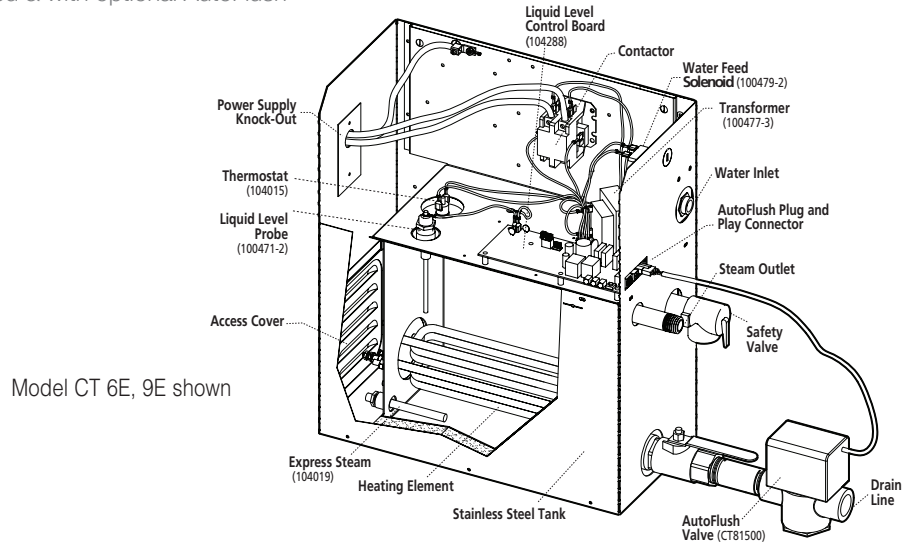


NOT TO SCALE

Prices are FOB factory, Long Island City, NY • Prices are subject to change without notice • Handling charges apply to equipment, accessories and parts orders. Please see page 2 for important safety information regarding the use of this price book .

Models CT 6E, 9E, 12E, 15E

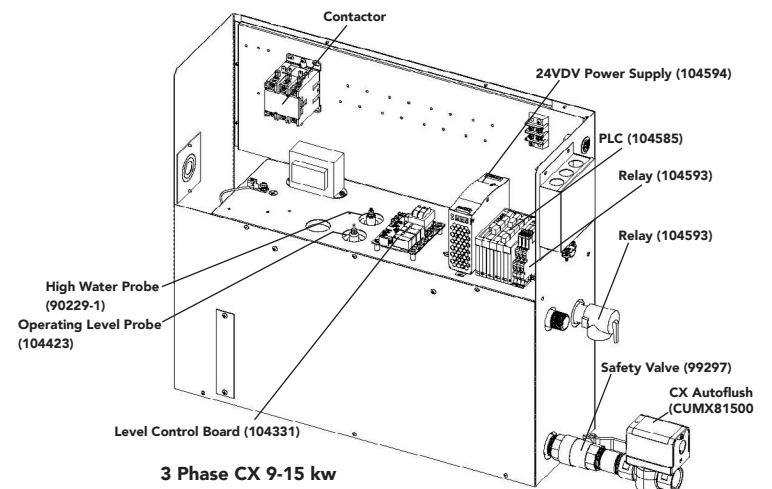
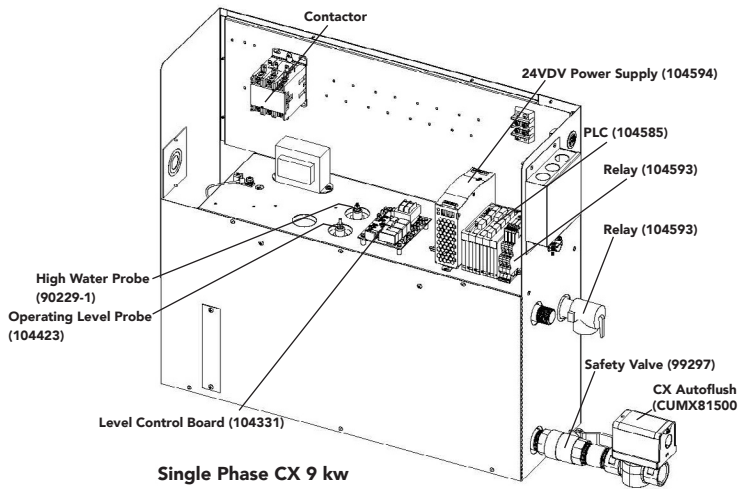
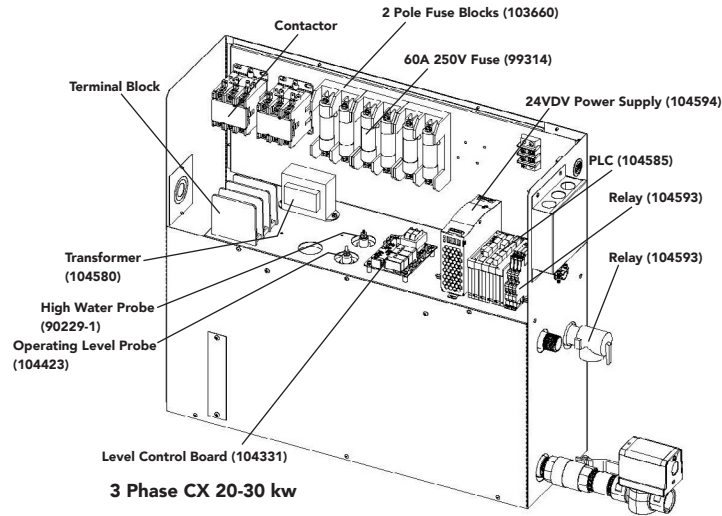
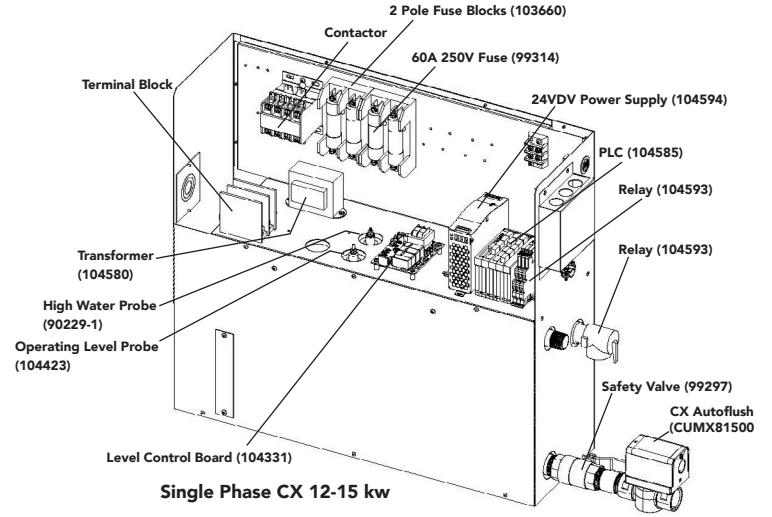
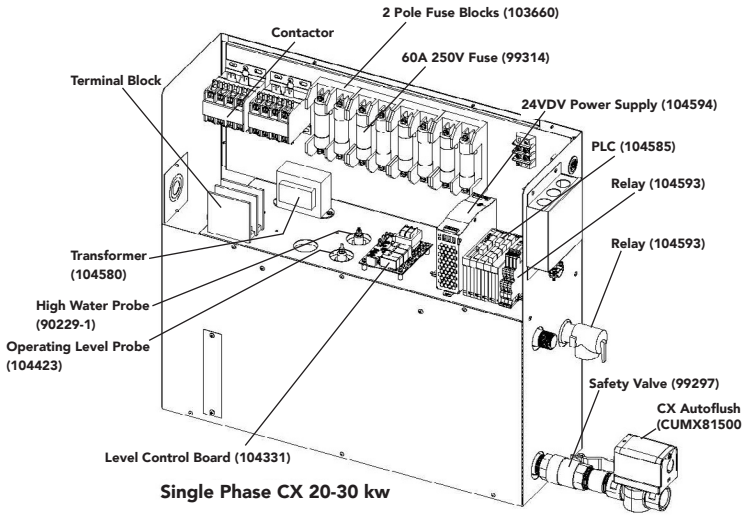
Shown with cover removed & with optional AutoFlush



PART No.	DESCRIPTION	PRICE	PART No.	DESCRIPTION	PRICE
<b>MISC. PARTS</b>			<b>ELEMENTS</b>		
MSTS-60	Room Sensor with Integral 60' Cable (for iTempoPlus and iSteam3 )	\$262.25	29061BMS	6KW 208V 1PH CT6E	\$433.50
100471-2	Water Level Probe	\$65.50	29061CMS	6KW 240V 1PH CT6E	\$433.50
100477-3	Transformer 208-240/24 VAC	\$120.00	29091BMS	9KW 208V 1PH CT9E	\$433.50
100479-2	Water Feed Solenoid Includes Hose & Clamps	\$131.25	29091CMS	9KW 240V 1PH CT9E	\$433.50
99314	Power Fuse 60A 250V (CT12E & 15E 1Ph)	\$22.00	29121BMS	12KW 208V 1PH CT12E	\$561.00
103660	Fuse Block	\$87.25	29121CMS	12KW 240V 1PH CT12E	\$561.00
104288	Liquid Level Control Board	\$425.50	29151BMS	15KW 208V 1PH CT15E	\$561.00
99502	Ground Lug	\$11.00	29151CMS	15KW 240V 1PH CT15E	\$561.00
99096MS	Gasket Ms Element Red Silicone	\$22.00	<b>VALVES</b>		
104055	Terminal Power Block 115amp 2p	\$65.50	99297	15 PSIG Safety Valve	\$49.00
103577	Jumper Blue Super Series	\$11.00	104198	Pressure Reducing Valve	\$229.50
103578	Wire Element Assy 22"	\$13.25	103036	Drain Valve 1"	\$88.00
103988	CT Wiring Harness	\$14.28	<b>OTHER ACCESSORIES</b>		
103579	Jumper Blue Super Series	\$6.75	CT81500	AutoFlush® Assembly 1" NPT	\$580.00
<b>EXPRESS STEAM®</b>			CT-STEAMSTOP	Start/Stop Button	\$510.00
104015	Express Steam Thermostat	\$76.50	104016	High Limit Thermostat	\$109.25
104019	Heating Element for Express Steam	\$262.25	103990-60	60 Foot Control Cable - iTempoPlus <b>ONLY</b>	\$155.00
<b>STEAMHEADS</b>			103978-60	CT SteamStop 60 Foot Cable	\$196.50
104040PC	SteamHead used with iTempoPlus Control	\$230.00	104117-60	60 Foot Cable - iSteam <b>ONLY</b>	\$235.00
104104BK-PC	SteamHead used with iSteam3 Control	\$275.00	<b>CONTACTORS</b>		
<b>CONTACTORS</b>			99012	24V 50A 3 Pole	\$239.75
100476-2	24V 40A 2 Pole	\$163.25	103453	24V 50A 4 Pole	\$425.50

Prices are FOB factory, Long Island City, NY • Prices are subject to change without notice • Handling charges apply to equipment, accessories and parts orders.  
All images in this price book are for illustrative purposes only. Many images are altered for presentation purposes.

Contact MrSteam for complete product information. Please see page 2 for important safety information regarding the use of this price book.



<b>PART No.</b>	<b>DESCRIPTION</b>	<b>PRICE</b>	<b>PART No.</b>	<b>DESCRIPTION</b>	<b>PRICE</b>
103036	Manual Drain Valve All Models	\$88.00	29093CMS	Heating Element 9kW 240V Three Phase CX0360	\$433.50
99297	Safety Valve 15PSI All Models	\$49.00	29121BMS	Heating Element 12kW 208V Single Phase CX0500	\$561.00
104423	Liquid Level Probe - Low Water All Models	\$120.00	29123BMS	Heating Element 12kW 208V Three Phase CX0500	\$561.00
90229-1	Liquid Level Probe - High Water All Models	\$142.00	29121CMS	Heating Element 12kW 240V Single Phase CX0500	\$561.00
103660	Fuse Block 2-Pole All Models	\$87.25	29123CMS	Heating Element 12kW 240V Three Phase CX0500	\$561.00
99314	Power Fuse 60A 250V All Models	\$22.00	29123FMS	Heating Element 12kW 480V Three Phase CX0500	\$561.00
104580	Transformer 240V-120V 100VA All Models	\$100.00	29201BMS	Heating Element 20kW 208V Single Phase CX0800	\$714.00
104581	Water Feed Solenoid Valve W/Filter All Models	\$131.00	29203BMS	Heating Element 20kW 208V Three Phase CX0800	\$714.00
104582	Contactora 50a 4-Pole All 1-Phase Models (Except Cx0360)	\$ 513.00	29201CMS	Heating Element 20kW 240V Single Phase CX0800	\$714.00
104594	Power Supply, 120vac To 24vdc All Models	\$280.00	29203CMS	Heating Element 20kW 240V Three Phase CX0800	\$714.00
104585	PLC All Models	\$2,000.00	29203FMS	Heating Element 20kW 480V Three Phase CX0800	\$714.00
104583	Contactora 50A 3-Pole All 3-Phase Models & CX0360 1-Phase	\$338.75	29241BMS	Heating Element 24kW 208V Single Phase CX1000	\$714.00
104584	Control All Models	\$2,000.00	29243BMS	Heating Element 24kW 208V Three Phase CX1000	\$714.00
104594	Power Supply, 120VAC To 24VDC All Models	\$280.00	29241CMS	Heating Element 24kW 240V Single Phase CX1000	\$714.00
104273-30	Ethernet Cable 30' All Models	\$44.00	29243CMS	Heating Element 24kW 240V Three Phase CX1000	\$714.00
104637	Ethernet Hub CX1600-CX5000	\$290.00	29243FMS	Heating Element 24kW 480V Three Phase CX1000	\$714.00
104632	Control Power Cable All Models	\$244.00	29301BMS	Heating Element 30kW 208V Single Phase CX1250	\$714.00
104331	Water Level Control Board All Models	\$627.30	29303BMS	Heating Element 30kW 208V Three Phase CX1250	\$714.00
104593	Relay, Spdt 6A 120V All Models	\$218.00	29301CMS	Heating Element 30kW 240V Single Phase CX1250	\$714.00
104067	Room Temperature Probe All Models	\$110.90	29303CMS	Heating Element 30kW 240V Three Phase CX1250	\$714.00
104596	Tank Temperature Probe All Models	\$152.00	29303FMS	Heating Element 30kW 480V Three Phase CX1250	\$714.00
99096MS	Heating Element Gasket CX0360 - CX0500	\$22.00	CX81500	Cx Autoflush All Models	\$581.50
99096MX	Heating Element Gasket CX0800 - CX1250	\$25.50			
29091BMS	Heating Element 9kW 208V Single Phase CX0360	\$433.50			
29093BMS	Heating Element 9kW 208V Three Phase CX0360	\$433.50			
29091CMS	Heating Element 9kW 240V Single Phase CX0360	\$433.50			



PART No.	DESCRIPTION	PRICE
<b>BLOWDOWN</b>		
99353	Time Delay Relay Board	\$196.50
103805	Mechanical Mil 72* Blowdown Timer - Analog	\$316.25
103661	1" Blowdown valve (all CU's)	\$1,887.00
103662	Digital Blowdown Timer	\$306.00
104251	Snubber <i>(used with Digital Blowdown ONLY)</i>	\$32.75

<b>CONTACTORS</b>		
99003	50A 3 Pole 120V 50/60	\$338.75
99006B	50A 4 Pole 120V 50/60	\$513.25
99075	60A 3 Pole 120V 50/60	\$459.00
102206-1	75A 3 Pole 120V 50/60	\$655.00

<b>COMPONENTS FOR DIGITAL 1 CONTROL</b>		
104066	D1 Plus Control <b>ONLY</b> 120V	\$338.75
104066C	D1 Plus Control <b>ONLY</b> 240V	\$338.75
104067-1	Sensor <b>ONLY</b> for D1 Plus with Guard	\$273.50
100886	Bulb Guard D1 Sensor	\$32.75
CU-104066	D1 Plus Field Kit 120V with Sensor + Guard, Cable	\$816.00
CU-104066C	D1 Plus Field Kit 240V with Sensor + Guard, Cable	\$816.00
CU-99216B	Timer 30min Only	\$125.00
104552	Timer Digital W/Plate & Vent	\$975.00
104560	Timer Digital Only	\$215.00
104561	Timer Digital Only	\$102.00

<b>COMPONENTS FOR HIGH TEMPERATURE CONTROL</b>		
104398	High Temperature Control, CU-HTC (Electronic Assembly)	\$327.50
104399	Temperature Sensor, CU-HTC	\$65.50
104417	Clear Temper Proof Cover, CU-HTC	\$109.25

PART No.	DESCRIPTION	PRICE
<b>ELEMENTS</b>		
29091B	9 KW 208V 1PH	\$586.50
29091C	9 KW 240V 1PH	\$586.50
29093B	9 KW 208V 3PH	\$525.50
29093C	9 KW 240V 3PH	\$525.50
29093F	9 kW 480V 3PH	\$525.50
39121B	12 KW 208V 1PH	\$602.00
39121C	12 KW 240V 1PH	\$602.00
39123B	12 KW 208V 3PH	\$602.00
39123C	12 KW 240V 3PH	\$602.00
39123F	12 KW 480V 3PH	\$602.00
39181B	18 KW 208V 1PH	\$714.00
39181C	18 KW 240V 1PH	\$714.00
39183B	18 KW 208V 3PH	\$612.00
39183C	18 KW 240V 3PH	\$612.00
39183F	18 KW 480V 3PH	\$612.00
99096B	Gasket 4 1/2" Dia. <i>(does not require compound)</i>	\$22.00
103540	Gasket Kit <i>(includes gasket, hardware &amp; bolts)</i> <i>(does not require compound)</i>	\$54.75
99547Z	Bolt Hex Hd Elmt Blk Zn Pl (1)	\$4.50



DIGITAL-1 CONTROL

Plea  
104  
"w/

Prices are FOB factory, Long Island City, NY • Prices are subject to change without notice • Handling charges apply to equipment, accessories and parts orders.  
All images in this price book are for illustrative purposes only. Many images are altered for presentation purposes.  
Contact MrSteam for complete product information. Please see page 2 for important safety information regarding the use of this price book.

<b>PART No.</b>	<b>DESCRIPTION</b>	<b>PRICE</b>
<b>ELECTRICAL</b>		
90229	Probe Spark Plug-(1) for each rod w/o Probe Rod	\$82.00
99807B	1/4" x 9" Probe Rod Stainless** CU360-CU1400-low water	\$32.75
92830	ON/OFF Switch	\$44.00
99207	Terminal Block 150 AMP 3 Pole	\$98.50
99524-6T	18" #6 Wire with Terminal - for Heating Element	\$32.75
104304	Operating Level Probe** CU360-CU1400	\$131.25
103127	Dual Probe LL PC Board 120V CU360-CU1400	\$513.25
103127-1	Dual Probe LL PC Board 240V CU360-CU1400	\$556.00
100378	Probe Isolator	\$120.00
90229-1	High Water Cutoff (also used for AUX LWCO on older CUs) No Rod Probe	\$142.00
90241MRT	AUX LWCO Board (All CU Models)	\$709.00
92829	AUX LWCO Pilot Light	\$23.00
99348	AUX LWCO Reset Button	\$54.75
90241D	High Water Level Control	\$229.50
99314	Power Fuses 60A 250V (use on 208/240V CU models)	\$22.00
99315	Fuse Block (use on 208/240V CU models)	\$98.50
99316	Power Fuses 60A 600V (use on 480V CU models)	\$60.25
99317	Fuse Block (use on 480V CU models)	\$131.25
99580	Terminal Block 4 POLE 30A 600V	\$32.75
99593	Terminal Block 3-Pole 600V 310A	\$338.75
104327B	CU-Timer 30min w/Plate & Vent	450.00
104477	Level Control Board beginning with SN # AXD-4953 (CU360-1400 <b>ONLY</b> )	\$627.50
CU99325B	Transformer 1/2 KVA 208V/120V For CU Boiler	\$1,020.00
CU99331C	Transformer 1/4 KVA 208V/120V For CU Boiler	\$663.00
CU99331F	Transformer 1/4 KVA 480V/120V For CU Boiler	\$765.00
<b>**Also CU1000 -1400 w/SN beginning with "AX"</b>		
<b>GAUGE GLASS</b>		
99074-1	Gauge Glass with 2 Gaskets (CU360 - 750) 7 3/4" long	\$44.00
	Gauge Glass with 2 Gaskets (CU1000 - 1400) 7 3/4" long (SN beginning with "AX")	\$44.00
99080-1	Gauge Glass with 2 Gaskets (CU1000 - CU1400) 9 3/4" long (SN beginning with "N") Gauge Glass with 2 Gaskets (CU2000 - CU3000) 9 3/4" long	\$54.75 \$54.75
99081-1	Gauge Glass with 2 Gaskets (CU4500) - 11 3/4"	\$65.50
99174CV	Gauge Glass O-Ring Gasket- VitonWasher	\$13.25
99173C	Gauge Glass Valve Set less tubes and rods	\$142.00
<b>MECHANICAL FEEDER</b>		
99114	Mechanical Low Water CutOff & Feeder M/M No.150 (CU2000 - CU4500)	\$3,519.00
103914	Micro Switch ASSY	\$612.00
SA150-14	Head Gasket	\$27.50
SA150-11	Float Rod & Ball Assembly	\$2,040.00

Prices are FOB factory, Long Island City, NY • Prices are subject to change without notice • Handling charges apply to equipment, accessories and parts orders.  
Please see page 2 for important safety information regarding the use of this price book .

PART No.	DESCRIPTION	PRICE
<b>WATER FEED AND STEAM SOLENOIDS</b>		
99031	1/2" 120V Water Feed (CU2000-CU4500)	\$370.50
99032	1/2" 240V Water Feed (CU2000-CU4500)	\$370.50
99042	1/4" 120V Water Feed (CU360-CU1400)	\$327.50
99042C	1/4" 240V Water Feed (CU360-CU1400)	\$338.75
99284A	Low Pressure Steam 120V 1"	\$2,810.70
99285A	Low Pressure Steam 120V 1/2"	\$425.50
99284B	Low Pressure Steam 240V 1"	\$612.00
99285B	Low Pressure Steam 240V 1/2"	\$436.75
99286A	Low Pressure Steam 120V 3/4"	\$459.00
104223	Steam Solenoid Rebuild Kit for 99286A	\$273.50

**PRESSURE CONTROLS**

99113R	Operating Pressure Control 0-15 PSIG	\$338.75
99290	Pressure Gauge 0-30 PSIG	\$109.25
99969R	Hi-Limit Control w/Manual Reset 15 PSIG	\$566.25
FB023	PigTail 1/4" NPT 180°	\$32.75

**VALVES PARTS**

99123	Strainer 1/2" 200WBP (CU2000-4500 & CU360-1400 with DP & N serial numbers)	\$76.50
99167	Spring Check Valve 1/2" (CU2000-4500 & CU360-1400 with DP & N serial numbers)	\$120.00
99178	Valve 1/2" Steam Ball (CU2000-4500 & CU360-1400 with DP & N serial numbers)	\$98.50
99184	Valve Gate Valve 1"	\$296.00
99132	15 PSIG Safety Valve 1/2" (CU2000)	\$989.50
99297V	15 PSIG Safety Valve 3/4" Sec I (CU2500 -CU3000)	\$600.00
99141	15 PSIG Safety Valve 1" (CU4500)	\$714.00
99297	15 PSIG Safety Valve 1/2" (CU360A - 1400A)	\$49.00
99182	Valve 3/4" Gate Steam	\$203.50
99162	Spring Check Valve 3/8" (CU360A-1400A)	\$98.43
104520	Valve, 3/8" Ball (CU360A-1400A)	\$25.50



AromaSteam  
Injection Pump  
"E" Style



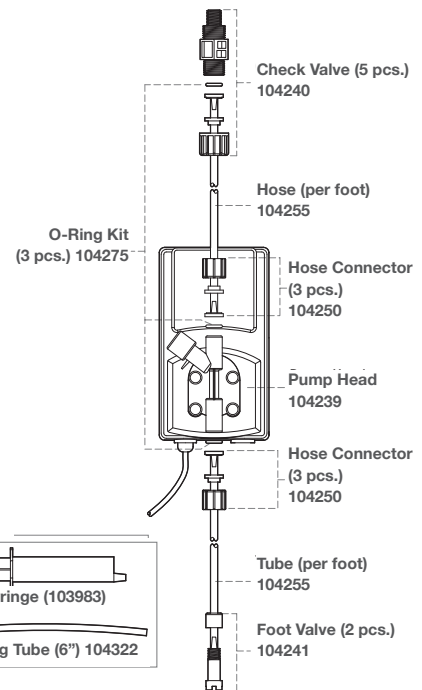
Aroma Essential Fragrance  
1 Gallon Bottle

PART No.	DESCRIPTION	PRICE
<b>MISC. PARTS</b>		
CU103984PC	Steam Head - 3/4 Polished Chrome	\$239.75
CU-Steamstop	CU Steam Stop Emergency Stop Switch	\$500.00
103412	Acrylic Shield	\$81.75
103985	Acrylic Shield (for use with 103984 SteamHead)	\$76.50
104072	Steam Vent	\$338.75

**AROMAFLO® COMMERCIAL Fragrance**

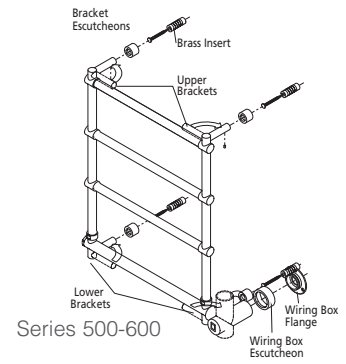
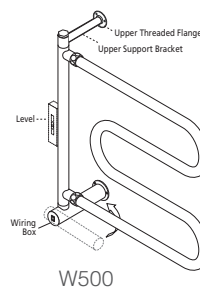
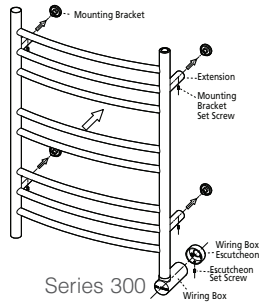
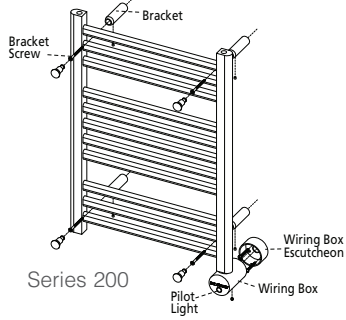
**INJECTION SYSTEM**

103861	Pump Head	\$392.75
E01-1032	Hose (per ft.)	\$14.25
103987	AromaSteam Filter	\$174.50
103983	AromaSteam Syringe	\$23.00
103918	AromaSteam Atomizing Nozzle	\$296.00
104239	Pump Head, "E" Style	\$425.50
104240	Check Valve, "E" Style	\$196.50
104241	Foot Valve, "E" Style	\$273.50
104250	Hose Connectors, "E" Style	\$44.00
104255	Hose, "E" Aroma Pump (per ft.)	\$6.75
104275	Aroma Pump O-Ring Kit (3 piece set)	\$25.50
104322	AromaSteam Priming Tube 6" (independent of pump style)	\$11.00
104319	AromaFlo, 1G Fragrance Caddy (independent of pump style)	\$87.25
104023	AromaSteam Compression Nut	\$23.00
104159	Aroma Valve Kit	\$174.50
CU-EUCALYPTUS	Fragrance, Eucalyptus 1.0 Gal	\$225.00
CU-LAVENDER	Fragrance, Laender 1.0 Gal.	\$225.00

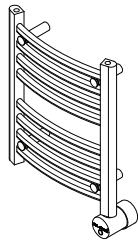


Prices are FOB factory, Long Island City, NY • Prices are subject to change without notice • Handling charges apply to equipment, accessories and parts orders.  
Please see page 2 for important safety information regarding the use of this price book.

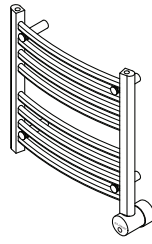
**Mounting Diagrams**



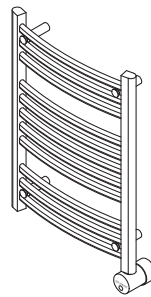
**Series 200 Towel Warmer** Broadway Collection®



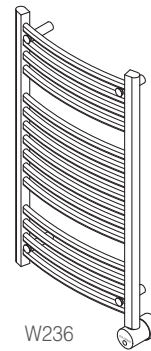
W216  
(Discontinued)



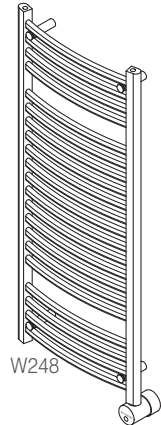
W219



W228

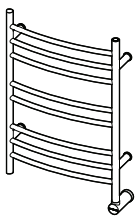


W236

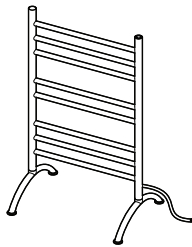


W248

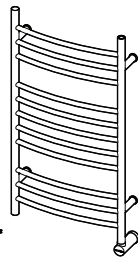
**Series 300 Towel Warmer** Metro Collection®



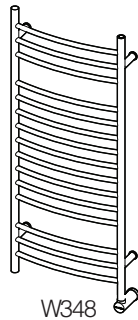
W328



F328  
(Discontinued)

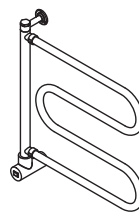


W336

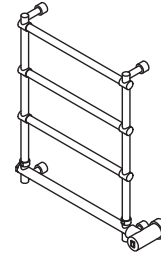


W348  
(Discontinued)

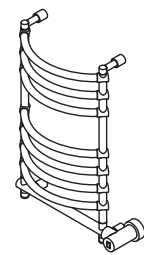
**Series 500-600 Towel Warmer** Fifth Avenue Collection®  
(Discontinued)



W500

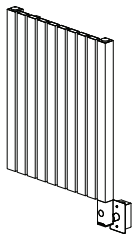


W542

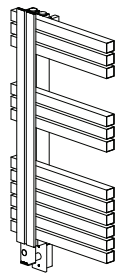


W634

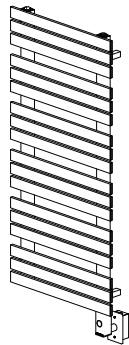
**Lexington Collection**  
(Discontinued)



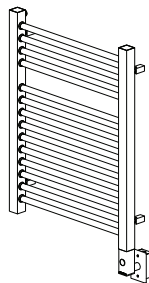
WX24



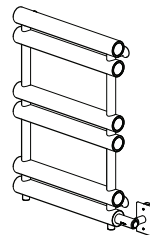
WX36



WX41

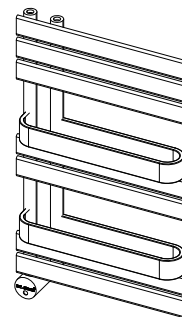


WX29



WX27

**Tribeca Collection**



Prices are FOB factory, Long Island City, NY • Prices are subject to change without notice • Handling charges apply to equipment, accessories and parts orders.  
All images in this price book are for illustrative purposes only. Many images are altered for presentation purposes.  
Contact MrSteam for complete product information. Please see page 2 for important safety information regarding the use of this price book.

<b>PART No.</b>	<b>DESCRIPTION</b>	<b>PRICE</b>
<b>TIMERS, LIGHTS &amp; INDICATORS</b>		
103949	On/Off Switch - Series 500 (through SN 40560) (Fifth Avenue Collection)	\$25.50
104028	Pilot Light for Series 200 (SN 40660 and up), Series 300, Lexington and Tribeca Collection	\$25.50
104050	Pilot Light for Series 500 (Fifth Avenue Collection)	\$25.50
103588DIG	Digital Timer	\$150.00
<b>HARDWARE FOR SERIES 200 (Broadway Collection)</b>		
104029-PC	Mounting Bracket Set - Polished Chrome	\$251.00
104029-WH	Mounting Bracket Set - White	\$262.25
104029-ORB	Mounting Bracket Set - Oil Rubbed Bronze	\$273.50
104029-BB	Mounting Bracket Set – Brushed Bronze	\$273.50
104029-MB	Mounting Bracket Set – Matte Black	\$273.50
104031-PC	Escutcheon for Wiring Box - Polished Chrome	\$44.00
104031-WH	Escutcheon for Wiring Box - White	\$44.00
104031-ORB	Escutcheon for Wiring Box - Oil Rubbed Bronze	\$44.00
104031-BB	Escutcheon for Wiring Box – Brushed Bronze	\$44.00
104031-MB	Escutcheon for Wiring Box – Matte Black	\$44.00
104093PC	Wall Plate- Polished Chrome	\$44.00
104093WH	Wall Plate- White	\$54.75
104093ORB	Wall Plate- Oil Rubbed Bronze	\$54.75
104093BB	Wall Plate – Brushed Bronze	\$54.75
104093MB	Wall Plate – Matte Black	\$54.75
<b>HARDWARE FOR SERIES 300 (Metro Collection)</b>		
104090-SSB	Mounting Bracket Set - Brushed Stainless Steel	\$185.75
104090-SSP	Mounting Bracket Set - Polished Stainless Steel	\$185.75
104091-SSB	Escutcheon for Wiring Box - Brushed Stainless Steel	\$32.75
104091-SSP	Escutcheon for Wiring Box - Polished Stainless Steel	\$32.75
104093SSB	Wall Plate - Brushed Stainless Steel	\$44.00
104093SSP	Wall Plate - Polished Stainless Steel	\$44.00
<b>HEATING ELEMENTS</b>		
103963	W510 TW Heating Element 70 Watt	\$352.00
103964	W500 TW Heating Element 100 Watt	\$352.00
103965	W842, W542 TW Heating Element 150 Watt	\$352.00
103966	W552, W554, W562, W572, W634 TW Heating Element 200 Watt	\$352.00
103967	W556, W856 TW Heating Element 200 Watt	\$352.00
104030	W228, W236, W248 TW Heating Element 400 Watt	\$247.00
104136	W216, W219 TW Heating Element 200 Watt	\$214.25
<b>LEXINGTON COLLECTION</b>		
104278	WX 300 Watt Heating Element - for models WX24, WX27, WX29	\$247.00
104279	WX 400 Watt Heating Element - for models WX36, WX41	\$258.25
104280SSB	WX TW Square Mounting Set, SSB - for models WX24, WX29, WX36, WX41	\$131.25
104280SSP	WX TW Square Mounting Set, SSP - for models WX24, WX29, WX36, WX41	\$163.25
104281SSB	WX TW Round Mounting Set, SSB - for model WX27	\$163.25
104281SSP	WX TW Round Mounting Set, SSP - for model WX27	\$196.50
<b>TRIBECA COLLECTION</b>		
104031	MB Escutcheon for Wiring Box – Matte Black	\$44.00
104093MB	Wall Plate – Matte Black	\$54.75
104669MB	W832 MTG BKT SET (4) MATTE BLK	\$265.00

Prices are FOB factory, Long Island City, NY • Prices are subject to change without notice • Handling charges apply to equipment, accessories and parts orders.  
Please see page 2 for important safety information regarding the use of this price book .