

mr.steam®

Feel Good Inc.®

**PARTS
PRICE
BOOK
2025**

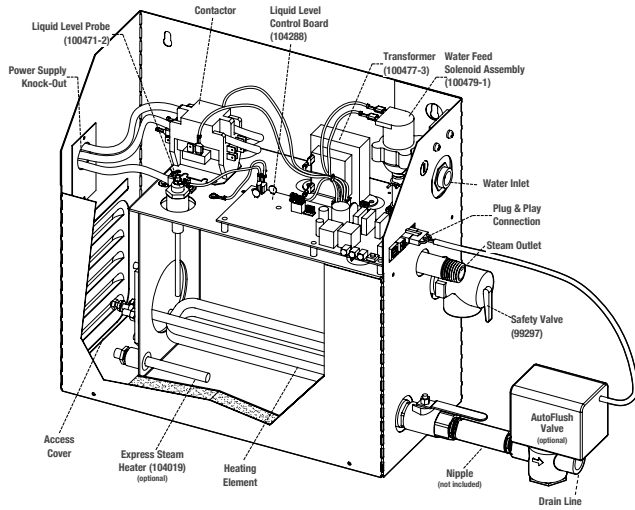
Residential & Commercial Steam Systems
• Towel Warmers • Saunas by MrSteam

www.mrsteam.com

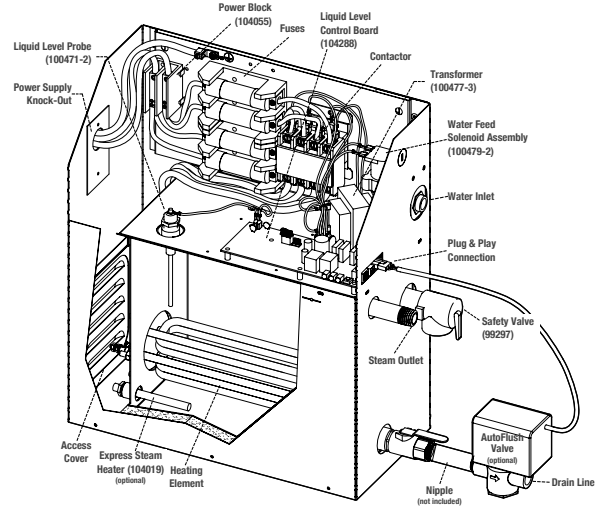
MS RESIDENTIAL STEAMBATH GENERATORS

"E & R" Series: Produced from June 2008 to Present, SN 900000 & higher

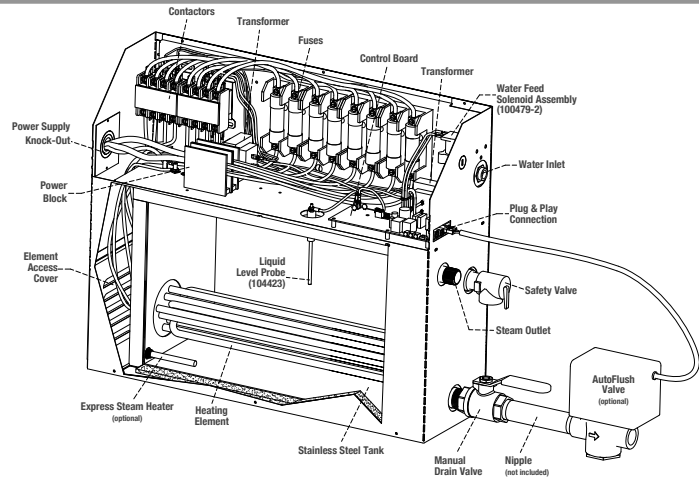
Models MS90 - MS400 Shown with cover removed & with optional AutoFlush® & Express Steam® features.



Models Super1 - Super6 Shown with cover removed & with optional AutoFlush® & Express Steam® features.



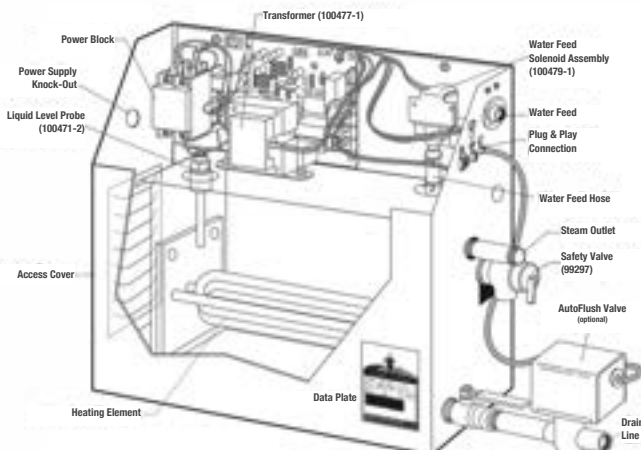
Models MX4 - MX6 Shown with cover removed & with optional AutoFlush® & Express Steam® features.



"T" Series: Produced from April 2003 to May 2008, SN 355500 to 899999

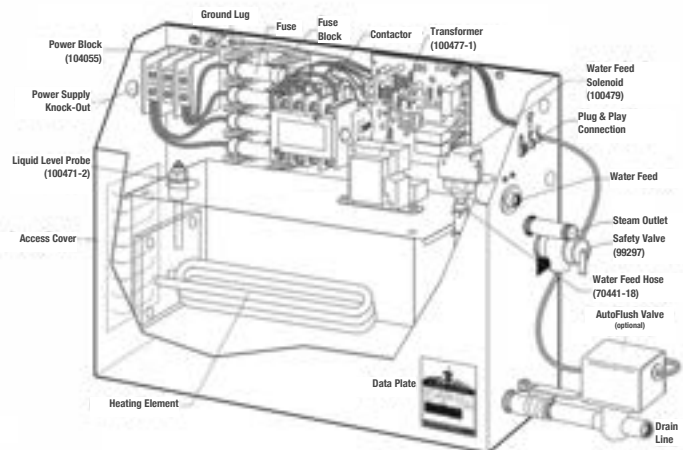
Models MS65T-MS400T

Shown with cover removed & with optional AutoFlush



MSSuper1T-MSSuper6T

Shown with cover removed & with optional AutoFlush



All images in this price book are for illustrative purposes only. Many images are altered for presentation purposes. Contact MrSteam for complete product information. Please see page 2 for important safety information regarding the use of this price book.

MS RESIDENTIAL STEAMBATH GENERATORS

Models - MS65-MS400, MSSUPER1-SUPER3 & MX4-MX6

ELEMENTS

PART NO.	DESCRIPTION	PRICE	PART NO.	DESCRIPTION	PRICE
29041BMS	4.5KW 208V 1PH MS65	\$481.00	29241BMS	24KW 208V 1PH MX5E	\$864.00
29041CMS	4.5KW 240V 1PH MS65	\$481.00	29241CMS	24KW 240V 1PH MX5E	\$864.00
29043CMS	4.5KW 240V 3PH MS65	\$481.00	29243BMS	24KW 208V 3PH MX5E	\$864.00
29043BMS	4.5KW 208V 3PH MS65	\$481.00	29243CMS	24KW 240V 3PH MX5E	\$864.00
29051BMS	5KW 208V 1PH MS90	\$481.00	29301BMS	30KW 208V 1PH MX6E	\$864.00
29051CMS	5KW 240V 1PH MS90	\$481.00	29301CMS	30KW 240V 1PH MX6E	\$864.00
29053CMS	5KW 240V 3PH MS90	\$481.00	29303BMS	30KW 208V 3PH MX6E	\$864.00
29053BMS	5KW 208V 3PH MS90	\$481.00	29303CMS	30KW 240V 3PH MX6E	\$864.00
29061BMS	6KW 208V 1PH MS150	\$481.00	EXPRESS STEAM®		
29061CMS	6KW 240V 1PH MS150	\$481.00	PART NO.	DESCRIPTION	PRICE
29063CMS	6KW 240V 3PH MS150	\$481.00	104015	Express Steam Thermostat 183F	\$91.00
29063BMS	6KW 208V 3PH MS150	\$481.00	104019	Heating Element for Express Steam 50W	\$315.00
29071BMS	7.5KW 208V 1PH MS225	\$481.00	104013	Express Steam Bracket	\$13.00
29071CMS	7.5KW 240V 1PH MS225	\$481.00	104038-7	Express Steam Wire (orange)	\$13.00
29073BMS	7.5KW 208V 3PH MS225	\$481.00	GASKETS		
29073CMS	7.5KW 240V 3PH MS225	\$481.00	PART NO.	DESCRIPTION	PRICE
29081BMS	8.5KW 208V 1PH MS300	\$481.00	99096MS	4 1/2" diameter (for all MS & Super elements, compound not required)	\$23.00
29081CMS	8.5KW 240V 1PH MS300	\$481.00	99096MX	5 3/4" diameter (for MX4E-6E elements ONLY , compound not required)	\$27.00
29083BMS	8.5KW 208V 3PH MS300	\$481.00			
29083CMS	8.5KW 240V 3PH MS300	\$481.00			
29091BMS	9KW 208V 1PH MS400	\$481.00			
29091CMS	9KW 240V 1PH MS400	\$481.00			
29093BMS	9KW 208V 3PH MS400	\$481.00			
29093CMS	9KW 240V 3PH MS400	\$481.00			
29101BMS	10KW 208V 1PH MS SUPER 1	\$651.00			
29101CMS	10KW 240V 1PH MS SUPER 1	\$651.00			
29103BMS	10KW 208V 3PH MS SUPER 1	\$651.00			
29103CMS	10KW 240V 3PH MS SUPER 1	\$651.00			
29121BMS	12KW 208V 1PH MS SUPER 2	\$651.00			
29121CMS	12KW 240V 1PH MS SUPER 2	\$651.00			
29123BMS	12KW 208V 3PH MS SUPER 2	\$651.00			
29123CMS	12KW 240V 3PH MS SUPER 2	\$651.00			
29151BMS	15KW 208V 1PH MS SUPER 3	\$651.00			
29151CMS	15KW 240V 1PH MS SUPER 3	\$651.00			
29153BMS	15KW 208V 3PH MS SUPER 3	\$651.00			
29153CMS	15KW 240V 3PH MS SUPER 3	\$651.00			
29201BMS	20KW 208V 1PH MX4E	\$864.00			
29201CMS	20KW 240V 1PH MX4E	\$864.00			
29203BMS	20KW 208V 3PH MX4E	\$864.00			
29203CMS	20KW 240V 3PH MX4E	\$864.00			

*Prices are FOB factory, Long Island City, NY • Prices are subject to change without notice • Handling charges apply to equipment, accessories & parts orders.
Please see page 2 for important safety information regarding the use of this price book .*

MS RESIDENTIAL STEAMBATH GENERATORS

Models - MS65-MS400, MSSUPER1-SUPER3 & MX4-MX6

MISC. PARTS

PART NO.	DESCRIPTION	PRICE
MSTS	Room Sensor with Integral 30' Cable (for E, R & T Series)	\$275.00
MSTS-60	Room Sensor with Integral 60' Cable (for "E," "R" & "T" Series)	\$289.00
103904	12 ft. Cable for Connecting Two Generators	\$28.00
103917	30 ft. Cable for Connecting up to Five Generators	\$108.00
100471-2	Water Level Probe (MS & SUPER ONLY)	\$68.00
104423	Water Level Probe (MX units)	\$124.00
100477-1	Transformer 208-240/24 VAC (MS "T" Models ONLY)	\$143.00
100477-3	Transformer 208-240/24 VAC (MS "E," "R" & MX Models ONLY)	\$147.00
100479-1	Water Feed Solenoid (for MS90-400) - Includes Hose & Clamps	\$141.00
100479-2	Water Feed Solenoid (for SUPER1-3 & MX) - Includes Hose & Clamps	\$141.00
103534	MS Element Wire 151/2" (Order 2 per generator)	\$15.00
103577	MS SUPER Element Wire 19" (Order 2 per generator)	\$12.00
103578	MS SUPER Element Wire 22" (Order 2 per generator)	\$14.00
103579	MS SUPER Internal fuse block wiring (8 needed per generator)	\$7.00
99314	Power Fuse 60A 250V (MS SUPER 1- 6 & MX 1PH)	\$24.00
104055	Power Block	\$73.00
103660	Fuse Block	\$95.00
MS81500E	AutoFlush	\$600.00
CT81500	AutoFlush (for MX units)	\$625.00
104288	Liquid Level Control Board (MS "E," "R" & MX Models ONLY)	\$463.00
99502	Ground Lug	\$13.00
103553	Silicone Sealant - Tube	\$34.00
103962	Super 1 Power Wiring Terminal Block to Contactor (4 per generator)	\$13.00
103988	Wiring Harness MS/SUPER	\$15.00
104411	MX Wiring Harness	\$43.86
104415	Power Block (MX6E 240v Single Phase)	\$257.00
104416	Power Block (MX units 208/240 3 Phase)	\$215.00
104419	Power Block (MX6E 208 Single Phase Only)	\$414.00
104409	Wire Harness Transformer to Contactor (2 Contactor MX Units)	\$45.00
104410	Wire Harness Transformer to Contactor (All MX)	\$45.00
104412	Wire Harness Power Block to Fuse Block (Single Phase MX)	\$45.00
104413	Wire Harness Fuse Block to Contactor (Single Phase MX)	\$45.00

PART NO.	DESCRIPTION	PRICE
104420	Wire Harness Fuse Block to Contactor (3 Phase MX)	\$45.00
104421	Wire Harness Power Block to Fuse Block (3 Phase MX)	\$45.00
100380MS	½" Steam Orifice	\$112.00
104426	¾" Steam Orifice	\$112.00
PUR100378	MS Peel and Stick Warning Label	\$1.00

CONTACTORS

99012	24V 50A 3 Pole	\$283.00
100476-2	24V 40A 2 Pole	\$171.00
103453	24V 50A 4 Pole	\$447.00

VALVES

99178FMS	Drain Valve - 1/2" (for MS & SUPER Units)	\$102.00
99297	15PSI Safety Valve	\$77.00
104198	Pressure Reducing Valve	\$243.00
103036	Drain Valve 1" (for MX Units)	\$91.00

Prices are FOB factory, Long Island City, NY • Prices are subject to change without notice • Handling charges apply to equipment, accessories & parts orders.
Please see page 2 for important safety information regarding the use of this price book .

MS RESIDENTIAL STEAMBATH CONTROLS

CONTROLS & KITS

PART NO.	DESCRIPTION	PRICE
ISTEAM®3		
104264BK	iSteam3 Black, Control ONLY	\$1,625.00
104264WH	iSteam3 White, Control ONLY	\$1,625.00
104117-30	Control Cable, 30 ft.	\$164.00
104678-60	60 Foot Control Cable	\$315.00
104116	iSteam Rough In Box	\$34.00
104128	iSteam Retrofit Adapter Cable (requires 2 cables) for all iSteam models	\$85.00

AIRTEMPO®

104554WH	Electronic Assembly White	\$1,008.00
104556BK	Electronic Assembly Black	\$1,008.00
104209	Retention Ring (AirTempo Flush)	\$23.00
104210	Flush Mount Box (AirTempo Flush)	\$51.00
104211	Surface Mount Holder (AirTempo Mount Holder)	\$36.00
104212	AirTempo Dongle	\$184.00
104301	AirTempo Battery Cover (2 used on BK-202761283 & higher or WH-202751776 & higher)	\$14.00
104557	Dongle-AirTempo® Receiver	\$168.00
104215PC	Surface Mount Bezel (AirTempo Surface)	\$86.00
104215XX	Surface Mount Bezel (AirTempo Surface) Select Finish Below & Add Code	\$90.00
104220	AirTempo Cable (3 ft.)	\$69.00
104735	Two Battery for AirTempo CR2450 (two required)	\$24.00

Prices are FOB factory, Long Island City, NY • Prices are subject to change without notice • Handling charges apply to equipment, accessories & parts orders. See product packaging & labeling for additional important information. All images in this price book are for illustrative purposes only.

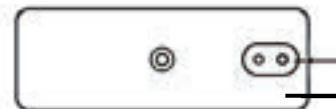
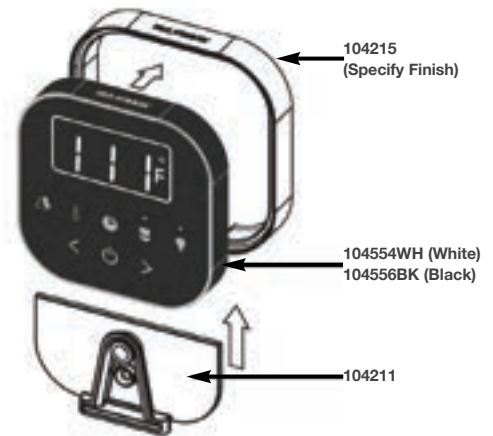
Many images are altered for presentation purposes. Contact MrSteam for complete product information. Please see page 2 for important safety information regarding the use of this price book.



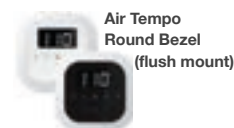
iSteam3



AirTempo



104557
AirTempo
Receiver



Air Tempo
Round Bezel
(flush mount)



Air Tempo
Square Bezel
(flush mount)



104232SQ
104232RD

DESIGNER FINISHES



PC
Polished
Chrome



PN
Polished
Nickel



BN
Brushed
Nickel



PB
Polished
Brass



PG
Polished
Gold



SB
Satin
Brass



BB
Brushed
Bronze



NB
Nouveau
Bronze



OB
Oil Rubbed
Bronze



MB
Matte
Black



BL
Brilliant
Black



ST
Satin
Steel



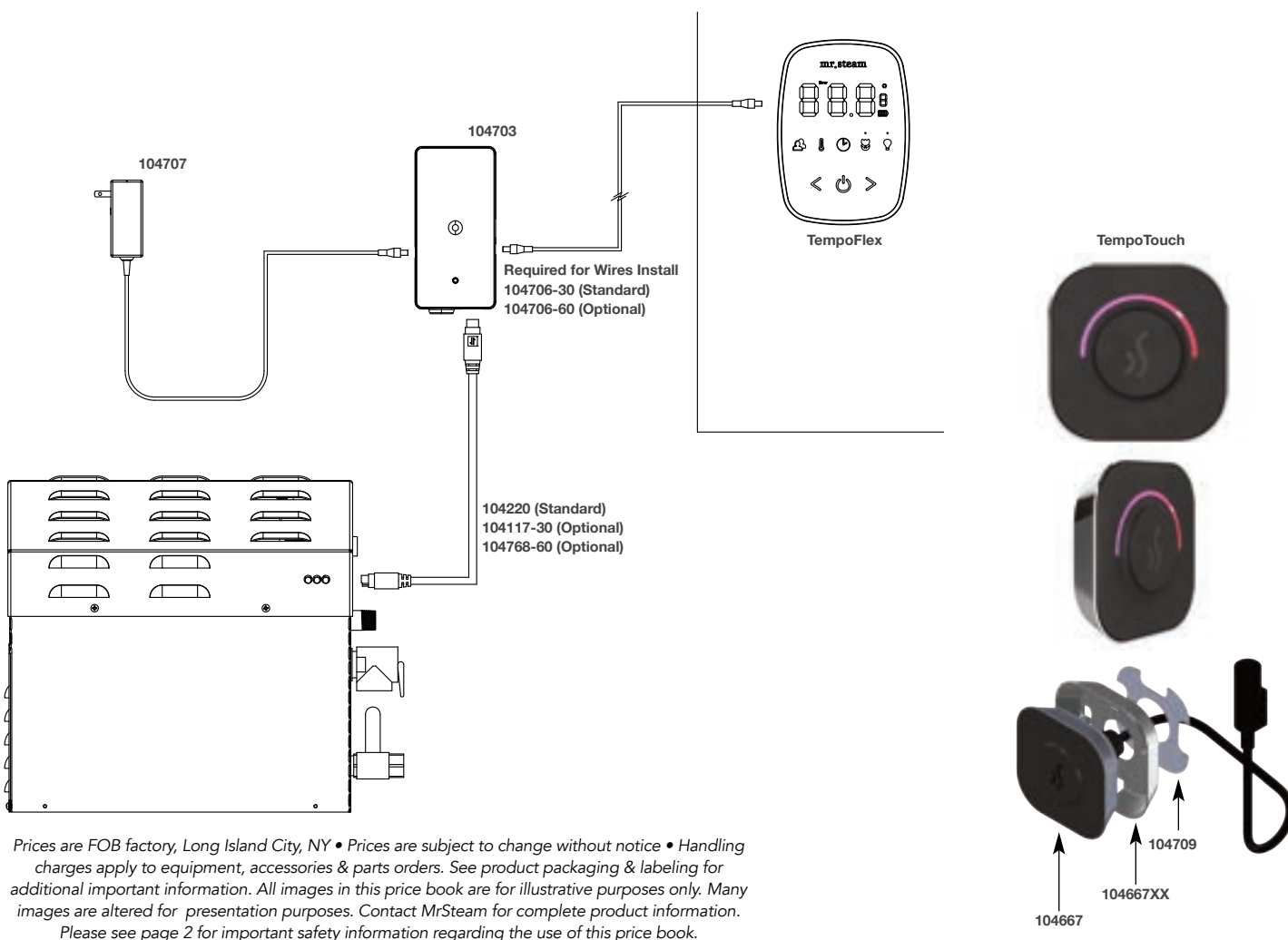
WH
White

MS RESIDENTIAL STEAMBATH CONTROLS

CONTROLS & KITS

PART NO.	DESCRIPTION	PRICE
TEMPOFLEX®		
104699PC	Bezel Polished Chrome	\$80.00
104699XX	Bezel Select finish below & add code	\$86.00
104702BK	Electronic Assembly Black	\$1800.00
104702WH	Electronic Assembly White	\$1800.00
104703	Dongle	\$473.00
104705	Wall Dock (Incl. adhesive)	\$29.00
104706-30	Power Cord 30 ft (standard)	\$173.00
104706-60	Power Cord 60 ft (optional)	\$312.00
104707	Power Supply	\$225.00
104708-1	Double Stick Adhesive	\$25.00

PART NO.	DESCRIPTION	PRICE
TEMPOFLEX®		
104220	Control Cable 3ft (standard)	\$69.00
104117-30	Control Cable 30ft (optional)	\$164.00
104678-60	Control Cable 60ft (optional)	\$315.00
TEMPOTOUCH®		
104677PC	Bezel Polished Chrome (incl. adhesive)	\$75.00
104677XX	Bezel Select finish below & add code (incl. adhesive)	\$80.00
104667	Electronic Assembly	\$68.00
104709	Double Stick Adhesive	\$17.00
104117-30	Control Cable 30ft (standard)	\$164.00
104678-60	Control Cable 60ft (optional)	\$317.00



DESIGNER FINISHES



MS RESIDENTIAL STEAMBATH CONTROLS

CONTROLS & KITS

PART NO.	DESCRIPTION	PRICE
iTempo® & iTempoPlus® Controls & Covers:		
104108I	iTempo Control-No Cover	\$614.00
104108IPLUS	iTempoPlus Control-No Cover	\$1,212.00
104109PC	ROUND iTempo & iTempoPlus Control Cover - Polished Chrome	\$140.00
104109XX	ROUND iTempo & iTempoPlus Control Cover - Select Finish Below & Add Code	\$210.00
104109BPC	ROUND iTempo & iTempoPlus Control Cover - finish Black Glass	\$210.00
104109WPC	ROUND iTempo & iTempoPlus Control Cover - finish White Glass	\$210.00
104106PC	SQUARE iTempo & iTempoPlus Control Cover - Polished Chrome	\$144.00
104106XX	SQUARE iTempo & iTempoPlus Control Cover - Select Finish Below & Add Code	\$220.00
104106BPC	SQUARE iTempo & iTempoPlus Control Cover - Finish Black Glass	\$220.00
104106WPC	SQUARE iTempo & iTempoPlus Control Cover - Finish White Glass	\$220.00
104107I	iTempo 4 Button Rubber Key pad	\$45.00
104107IPLUS	iTempoPlus 8 Button Rubber Key pad	\$59.00
104110RD	Gasket, iTempo Adhesive ROUND	\$15.00
104110SQ	Gasket, iTempo Adhesive SQUARE	\$15.00
104678-60	60 Foot Control Cable	\$315.00
104096	Control Cable Extension Kit, iTempo™ Only	\$239.00
MSTS	Room Sensor 30' <i>(for "E", "R" & "T" series, not for use with iSteam & iSteam2.0)</i>	\$275.00
MSTS-60	Room Sensor with Integral 60' Cable <i>(For "E", "R" & "T" series, not for use with iSteam & iSteam2.0)</i>	\$289.00

Prices are FOB factory, Long Island City, NY • Prices are subject to change without notice • Handling charges apply to equipment, accessories & parts orders. See product packaging & labeling for additional important information. All images in this price book are for illustrative purposes only. Many images are altered for presentation purposes. Contact MrSteam for complete product information. Please see page 2 for important safety information regarding the use of this price book.

iTempo Square

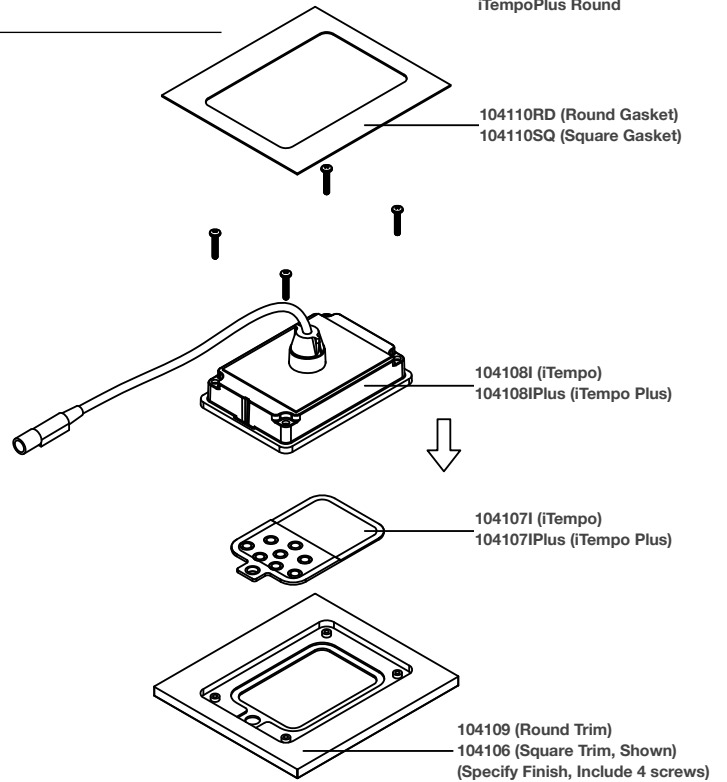


iTempo Round

iTempoPlus Square



iTempoPlus Round



DESIGNER FINISHES



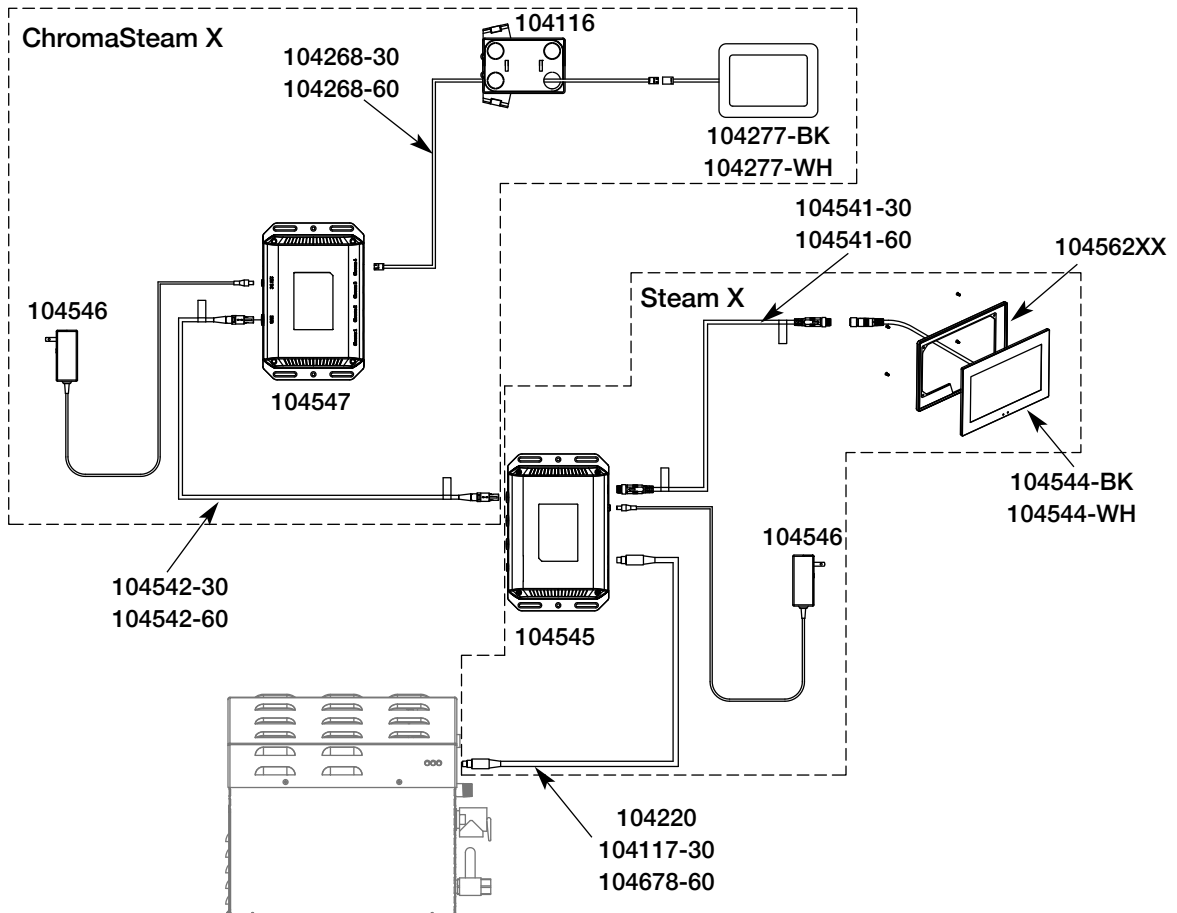
MS RESIDENTIAL STEAMBATH CONTROLS

Models - ChromaSteamX & iSteamX

CONTROLS & KITS

PART NO.	DESCRIPTION	PRICE
ChromaSteam X		
104547	LED Driver	\$548.00
104546	Hub power supply	\$194.00
104268-30	LED cluster power cable 30 ft	\$74.00
104268-60	LED cluster power cable 60 ft	\$105.00
104542-30	Driver communication cable 30 ft	\$106.00
104542-60	Driver communication cable 60 ft	\$178.00
104116	LED cluster rough in box	\$34.00
104277BK	LED cluster Black	\$785.00
104277WH	LED cluster White	\$785.00

PART NO.	DESCRIPTION	PRICE
iSTEAM X		
104541-30	30 Foot Cable	\$127.00
104541-60	60 Foot Cable	\$190.00
104117-30	30 Foot Control Cable	\$164.00
104220	Cable	\$69.00
104678-60	60 Foot Control Cable	\$315.00
104545	HUB	\$529.00
104546	HUB Power Supply	\$194.00
104544BK	Black Fascia iSteamX Control Only	\$2,774.00
104544WH	White Fascia iSteamX Control Only	\$2,774.00
104562XX	Bezel, Where XX Represents the Finish Code	\$180.00
104572	iSteam to iSteamX Wall Adapter	\$95.00



NOT To SCALE

Prices are FOB factory, Long Island City, NY • Prices are subject to change without notice • Handling charges apply to equipment, accessories & parts orders. Please see page 2 for important safety information regarding the use of this price book.

MS RESIDENTIAL STEAMBATH STEAMHEADS

Models - MS 90E-400E, MS Super 1E - Super 6E,
MS 65T-400T, MS Super 1T - Super 6T & MX4E-MX6E

STEAMHEADS

PART NO.	DESCRIPTION	PRICE
LINEAR STEAMHEADS		
104482PC	Linear - Aromatray For LSH	\$215.00
104482XX	AromaTray (Where XX Represents the Finish Code)	\$250.00
104483PC	Linear - LSH Faceplate	\$150.00
104483XX	Faceplate (Where XX Represents the Finish Code)	\$215.00
104485PC	Escutcheon - Polished Chrome	\$262.00
104485XX	Escutcheon - (Where XX Represents the Finish Code)	\$275.00
104486PC	Diverter - Polished Chrome	\$250.00
104486XX	Diverter (Where XX Represents the Finish Code)	\$300.00
104480PC	Linear SteamHead for MS90 to MS Super 3, For Super 4-6 & MX4-MX6 requires (2) SteamHeads - Polished Chrome	\$975.00
104480XX	Linear SteamHead for MS90 to MS Super 3, For Super 4-6 & MX4-MX6 requires (2) SteamHeads - (where represents Polished Chrome)	\$1,150.00
104484	MS - Diverter for Linear Steam Head	\$218.00
104491	Diverter for 27" Linear SteamHead	\$132.00

1/2" STEAMHEADS for iSteam® & AirTempo®

104104BK-PC	Black - Polished Chrome	\$325.00
104104BK-XX	Black - Select Finish Below & Add Code	\$325.00
104104WH-PC	White - Polished Chrome	\$325.00
104104WH-XX	White - Select Finish Below & Add Code	\$425.00

1/2" ROUND STEAMHEADS for iTempo® & iTempoPlus®

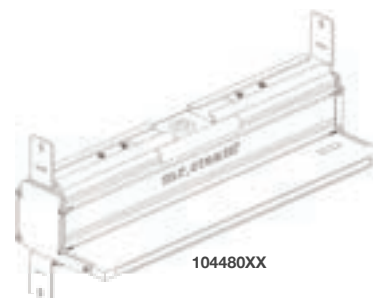
103937PC	SteamHead Round - Polished Chrome	\$275.00
103937XX	SteamHead Round - Select Finish Below & Add Code	\$375.00

1/2" SQUARE STEAMHEADS for iTempo & iTempoPlus

104040PC	SteamHead Square - Polished Chrome	\$275.00
104040XX	SteamHead Square - Select Finish Below & Add Code	\$375.00

Acrylic Shield

104731	Box Shaped Acrylic Shield	\$89.00
103938	Acrylic Shield (for use with Round SteamHeads)	\$86.00
103938SQ	Acrylic Shield (for use with Square SteamHeads)	\$86.00



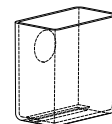
104104/104518



103937/104515



104040/104516



104731

PART NO.	DESCRIPTION	PRICE
3/4" STEAMHEADS for iSteam®, TempoFlex® & TempoTouch®		
104518PC	iSteam SteamHead Polished Chrome	\$325.00
104518XX	iSteam SteamHead Select finish below & add code	\$500.00

3/4" ROUND STEAMHEADS for iTempo®

104515PC	Round Steamhead Polished Chrome	\$275.00
104515XX	Round Steamhead Select finish below & add code	\$425.00
104516PC	Square Steamhead Polished Chrome	\$275.00
104516XX	Square Steamhead Select finish below & add code	\$425.00

Prices are FOB factory, Long Island City, NY • Prices are subject to change without notice • Handling charges apply to equipment, accessories & parts orders. See product packaging & labeling for additional important information. All images in this price book are for illustrative purposes only. Many images are altered for presentation purposes. Contact MrSteam for complete product information. Please see page 2 for important safety information regarding the use of this price book.

DESIGNER FINISHES



PC
Polished Chrome



PN
Polished Nickel



BN
Brushed Nickel



PB
Polished Brass



PG
Polished Gold



SB
Satin Brass



BB
Brushed Bronze



NB
Nouveau Bronze



OB
Oil Rubbed Bronze



MB
Matte Black



BL
Brilliant Black



ST
Satin Steel



WH
White

MS RESIDENTIAL STEAMBATH AROMASTEAM

PART NO.	DESCRIPTION	PRICE
AromaSteam Residential Fragrance Metering Pump System		
103861	Pump Head	\$432.00
E01-1032	Hose (per ft.)	\$15.00
103987	AromaSteam Filter	\$183.00
103983	AromaSteam Syringe (independent of pump style)	\$32.00
104255	Hose, "E" Aroma Pump/foot (Common part with "E" style pump)	\$10.00
104322	AromaSteam Priming Tube 6" (independent of pump style)	\$14.00
104318	AromaFlo, 1L Fragrance Caddy (independent of pump style)	\$93.00
104319	AromaFlo, 1G Fragrance Caddy (independent of pump style)	\$114.00
104492	Pump Head, New Style Aromasteam	\$72.00
104493	Check Valve 0.3 Bar	\$202.00
104494	Power Supply, New Style Aromasteam	\$40.00
103918	AromaSteam Atomizing Nozzle	\$312.00
104023	AromaSteam Compression Nut	\$25.00
104159	Aroma Valve Kit	\$186.00



AromaSteam Fragrance Metering Pump



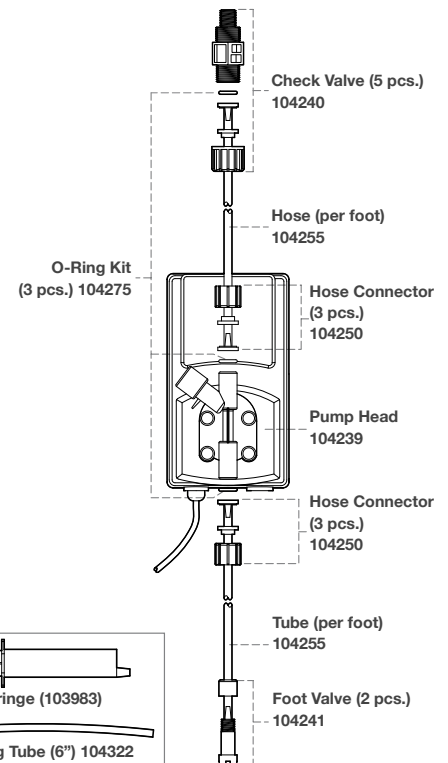
AromaSteam Caddy 104318

AromaSteam "E" Style Residential Fragrance Injection System		
104239	Pump Head, "E" Style	\$552.00
104240	Check Valve, "E" Style	\$307.00
104241	Foot Valve, "E" Style	\$384.00
104250	Hose Connectors, "E" Style	\$73.00
104255	Hose - "E" Aroma Pump (per foot)	\$10.00
104275	Aroma Pump O-Ring Kit (3 piece set)	\$44.00
104307	Request Cable	\$506.00
104569	Barb Fitting to Extend AromaSteam 104255 Hose	\$13.00

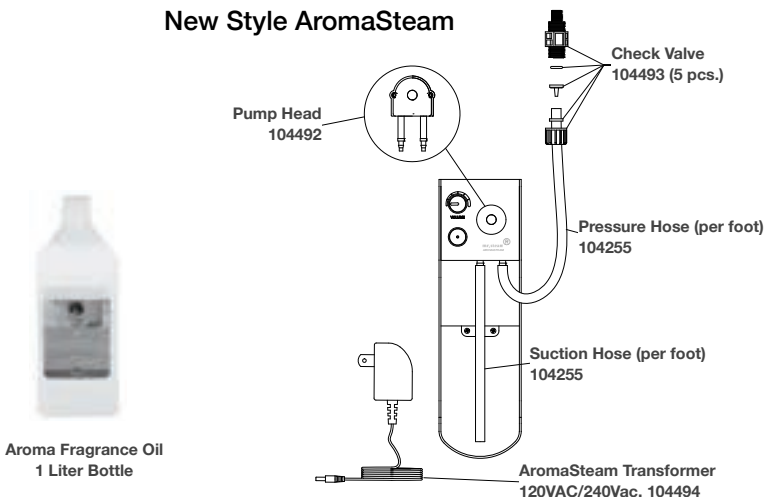


AromaSteam Metering Pump "E" Style

AromaSteam Fragrances for AromaSteam System ONLY		
MS-OIL1	AromaSteam Fragrance, 1L. (33 oz.) Eucalyptus	\$175.00
MS-OIL2	AromaSteam Fragrance, 1L. (33 oz.) Lavender	\$175.00
MS-OIL3	AromaSteam Fragrance, 1L. (33 oz.) Evergreen	\$175.00
MS-OIL4	AromaSteam Fragrance, 1L. (33 oz.) Energizing Mint	\$175.00
MS-OIL5	AromaSteam Fragrance, 1L. (33 oz.) Breathe	\$175.00



New Style AromaSteam



Prices are FOB factory, Long Island City, NY • Prices are subject to change without notice • Handling charges apply to equipment, accessories & parts orders.

See product packaging & labeling for additional important information. All images in this price book are for illustrative purposes only. Many images are altered for presentation purposes. Contact MrSteam for complete product information. Please see page 2 for important safety information regarding the use of this price book.

MS RESIDENTIAL STEAMBATH AUDIO & CHROMA SYSTEMS

PART NO.	DESCRIPTION	PRICE
AudioSteam 3		
104317	Single Bus Extender Only	\$182.00
104273	2x Bus Extender Kit w/30-ft cable	\$90.00
104273-30	30 foot AudioSteam3 cable (no bus extenders)	\$46.00
104273-60	60 foot AudioSteam3 cable (no bus extenders)	\$90.00
MSAS3	AudioSteam3	\$1,236.00

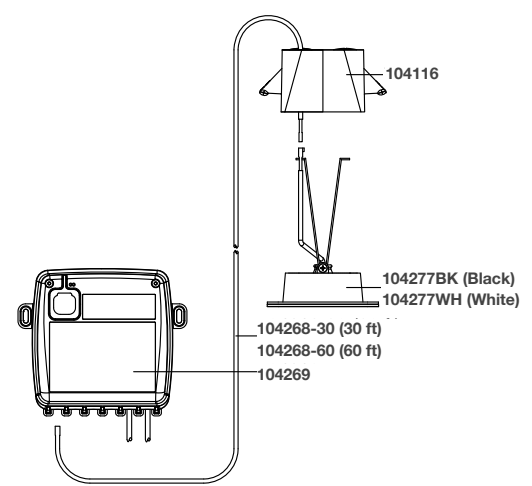
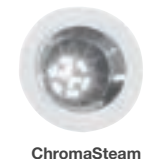
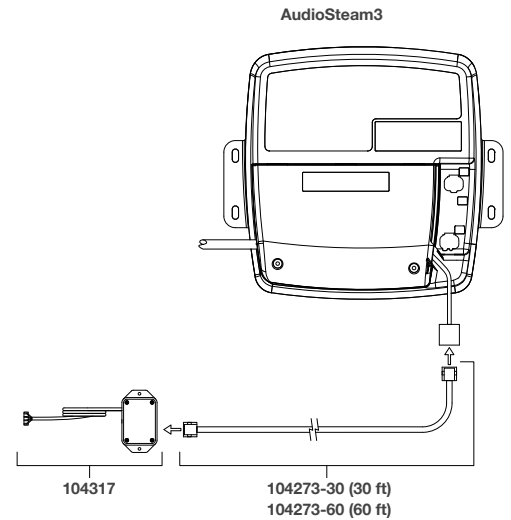
AudioX		
AudioXWH	White AudioX System	\$1,250.00
AudioXBK	Black AudioX System	\$1,250.00
104675	AudioX 30 ft Power Cable (optional)	\$52.00
104689	AudioX Power Supply	\$77.00
104690	AudioX 15 ft Audio Cable	\$88.00

AUDIO@HOME		
MSAH	Music Therapy Audio@Home System	\$1004.00

Chroma72®		
103960	28 LED Replacement Cluster for MS CHROMA	\$297.00
104119	72 LED Replacement Cluster for MS CHROMA-72	\$651.00
104024	Cable Assembly for MS CHROMA-72	\$100.00
104024-2	Jumper for MS CHROMA-72	\$15.00

ChromaSteam3		
104277BK	Chroma3 LED, Black Lens	\$785.00
104277WH	Chroma3 LED, White Lens	\$785.00
104268-30	Cable, MSChroma3 30 ft.	\$74.00
104268-60	Cable, MSChroma3 60 ft.	\$105.00
104269	MSChroma3, LED Controller ONLY	\$530.00
104313	Chroma3 Duo Cable	\$286.00
104116	iSteam, Rough-inBox MrSteam	\$34.00

SteamLinx		
104487A	SteamLinx Power Supply	\$11.00

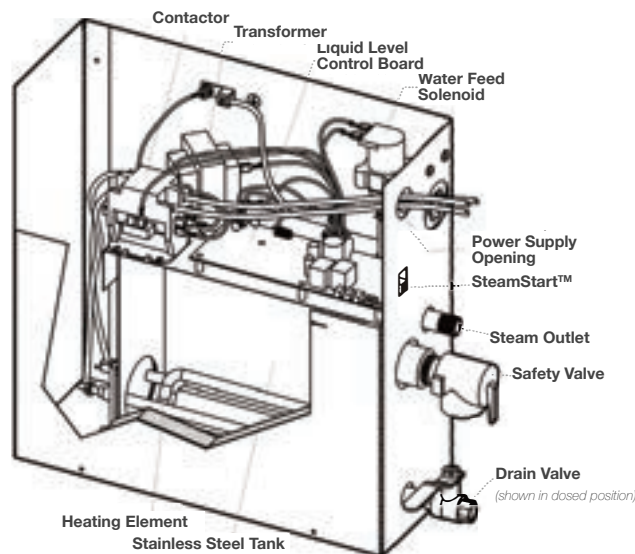


Prices are FOB factory, Long Island City, NY • Prices are subject to change without notice • Handling charges apply to equipment, accessories & parts orders. See product packaging & labeling for additional important information. All images in this price book are for illustrative purposes only. Many images are altered for presentation purposes. Contact MrSteam for complete product information. Please see page 2 for important safety information regarding the use of this price book.

MS RESIDENTIAL STEAM@HOME GENERATOR & STEAMBATH ACCESSORIES

Models - MSAH3000, SAH4500, SAH6000

PART NO.	DESCRIPTION	PRICE
99297	VALVE SAFETY 15PSI 3/4"	\$77.00
103938	ACRYLIC SHIELD, ROUND	\$86.00
100471-2	PROBE WATER LEVEL MS	\$68.00
100476-2	CONTACTOR 24V-MS (50A/2POLE)	\$171.00
100477-3	TRANSFORMER 24VAC	\$147.00
103978-30	eTEMPO START 30-FT CABLE	\$134.00
103978-60	eTEMPO START 60-FT CABLE	\$218.00
100479-1	SOLENOID & HOSE ASSY 24V MS	\$141.00
104288B	BOARD LIQUID LEVEL I3 BUILDERS	\$247.00
19031BMS	ELEMENT 3KW/208/1 BUILDERS	\$481.00
19031CMS	ELEMENT 3KW/240/1 BUILDERS	\$481.00
19041BMS	ELEMENT 4.5KW/208/1 BUILDERS	\$481.00
19041CMS	ELEMENT 4.5KW/240/1 BUILDERS	\$481.00
19061BMS	ELEMENT 6KW/208/1 BUILDERS	\$481.00
19061CMS	ELEMENT 6KW/240/1 BUILDERS	\$481.00
99178FMS	VALVE 1/2" BRASS BALL F/F	\$102.00



Steam@Home Generator

PART NO.	DESCRIPTION	PRICE
----------	-------------	-------

WALL SEAT - Original Design

104052PC	Wall Seat Bracket Kit- Polished Chrome	\$135.00
----------	--	----------



Original Wall Seat

WALL SEAT - New Design

104282-PC	Wall Seat Bracket Kit- Polished Chrome	\$236.00
104282-BN	Wall Seat Bracket Kit- Brushed Nickel	\$247.00
104282-PN	Wall Seat Bracket Kit-Polished Nickel	\$247.00
104282-SB	Wall Seat Bracket Kit- Satin Brass	\$247.00



New Wall Seat

MS LIGHT

104073	Bulb Replacement 13 Watt, Compact Fluorescent	\$114.00
--------	---	----------



MS Light

MS Light

LEDLITE

104325	Rough-In Plate for LEDLITE	\$116.00
104324AS	LEDLITE fixture ONLY , Satin Aluminum	\$960.00
104324AP	LEDLITE fixture ONLY , Polished Aluminum	\$960.00
104324-1	LEDLITE Driver Box	\$175.00



LED Light

Prices are FOB factory, Long Island City, NY • Prices are subject to change without notice • Handling charges apply to equipment, accessories & parts orders.
 All images in this price book are for illustrative purposes only. Many images are altered for presentation purposes.
 Contact MrSteam for complete product information. Please see page 2 for important safety information regarding the use of this price book.

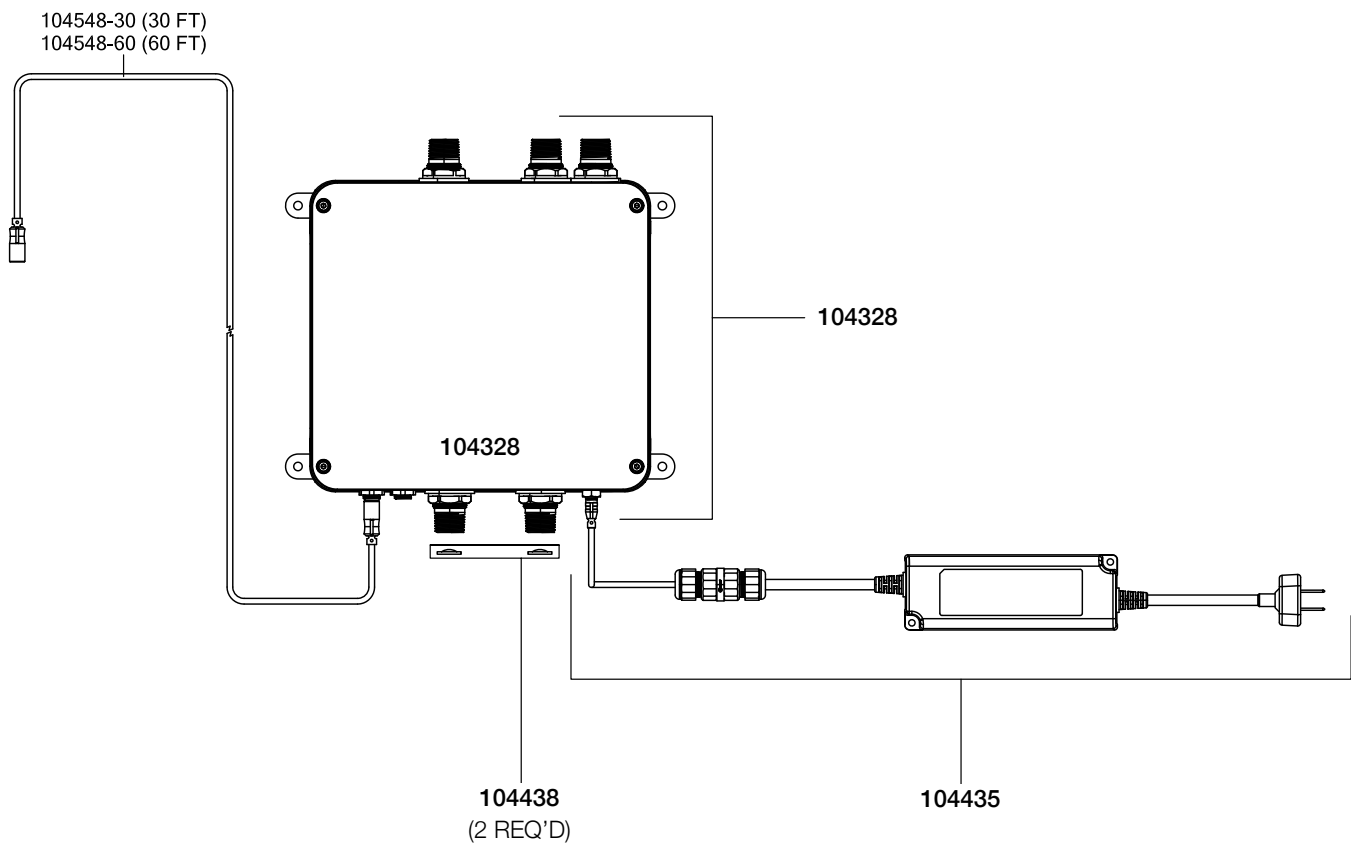
MS RESIDENTIAL ELECTRONIC SHOWER VALVE

Models - Electronic Shower Valve SPAH2O

CONTROLS & KITS

PART NO.	DESCRIPTION	PRICE
SPAH2O		
104328	Replacement SPAH2O (valve only)	\$1,854.00
104435	Power supply SPAH2O	\$330.00
104436	½" NPT Filter, SPAH2O (2 needed per valve)	\$5.50
104548-30	30 ft Cable SPAH2O	\$65.00
104548-60	60 ft Cable SPAH2O	\$125.00

SPAH2O



NOT TO SCALE

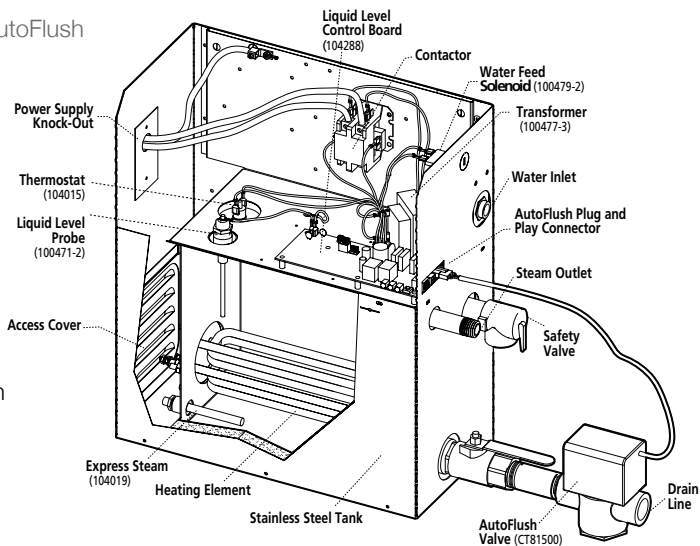
Prices are FOB factory, Long Island City, NY • Prices are subject to change without notice • Handling charges apply to equipment, accessories & parts orders.
Please see page 2 for important safety information regarding the use of this price book .

CT DAY SPA STEAMBATHS

Models - CT 6, 9, 12, 15

Shown with cover removed & with optional AutoFlush

Model CT 6, 9 shown



MISC. PARTS

PART NO.	DESCRIPTION	PRICE
MSTS-60	Room Sensor with Integral 60' Cable	\$289.00
100471-2	Water Level Probe	\$68.00
100477-3	Transformer 208-240/24 VAC	\$147.00
100479-2	Water Feed Solenoid Includes Hose & Clamps	\$141.00
99314	Power Fuse 60A 250V (CT12 &15 1Ph)	\$24.00
103660	Fuse Block	\$95.00
104288	Liquid Level Control Board	\$463.00
99502	Ground Lug	\$13.00
99096MS	Gasket Ms Element Red Silicone	\$23.00
104055	Terminal Power Block 115amp 2p	\$73.00
103577	Jumper Blue Super Series	\$12.00
103578	Wire Element Assy 22"	\$14.00
103988	CT Wiring Harness	\$15.00
103579	Jumper Blue Super Series	\$7.00

EXPRESS STEAM®

104015	Express Steam Thermostat	\$91.00
104019	Heating Element for Express Steam	\$315.00
104013	Express Steam Bracket	\$13.00
104038-7	Express Steam Wire (Orange)	\$13.00

STEAMHEADS See Page 10

PART NO.	DESCRIPTION	PRICE
CONTACTORS		
99012	24V 50A 3 Pole	\$283.00
100476-2	24V 40A 2 Pole	\$171.00
103453	24V 50A 4 Pole	\$447.00

ELEMENTS

29061BMS	6KW 208V 1PH CT6	\$481.00
29061CMS	6KW 240V 1PH CT6	\$481.00
29091BMS	9KW 208V 1PH CT9	\$481.00
29091CMS	9KW 240V 1PH CT9	\$481.00
29121BMS	12KW 208V 1PH CT12	\$651.00
29121CMS	12KW 240V 1PH CT12	\$651.00
29151BMS	15KW 208V 1PH CT15	\$651.00
29151CMS	15KW 240V 1PH CT15	\$651.00

VALVES

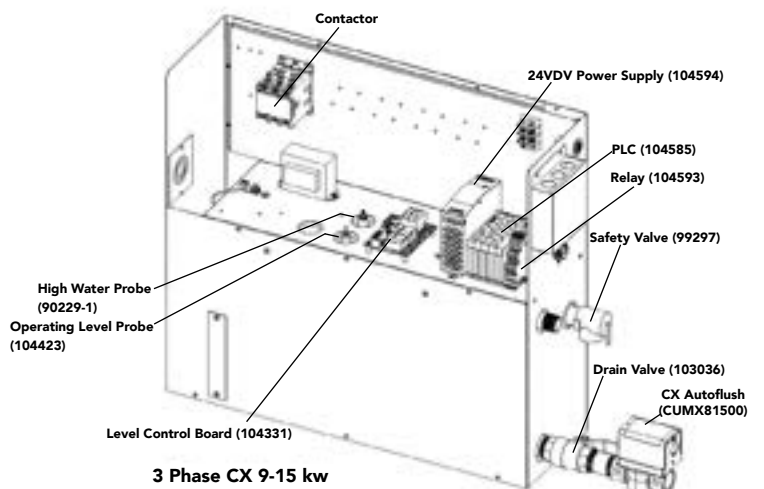
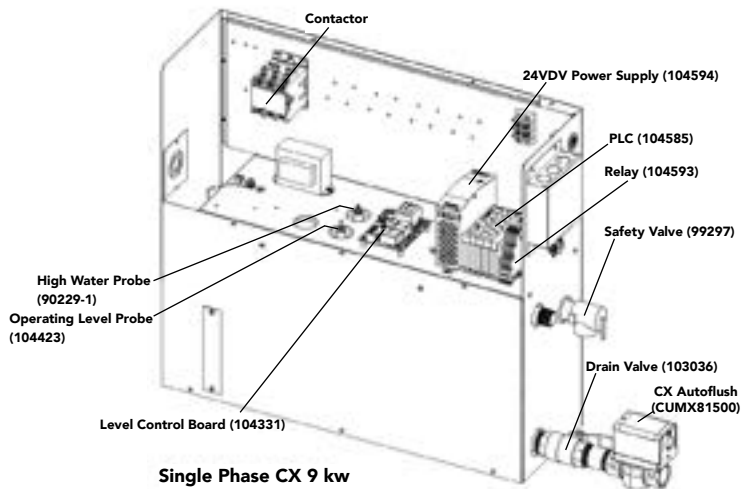
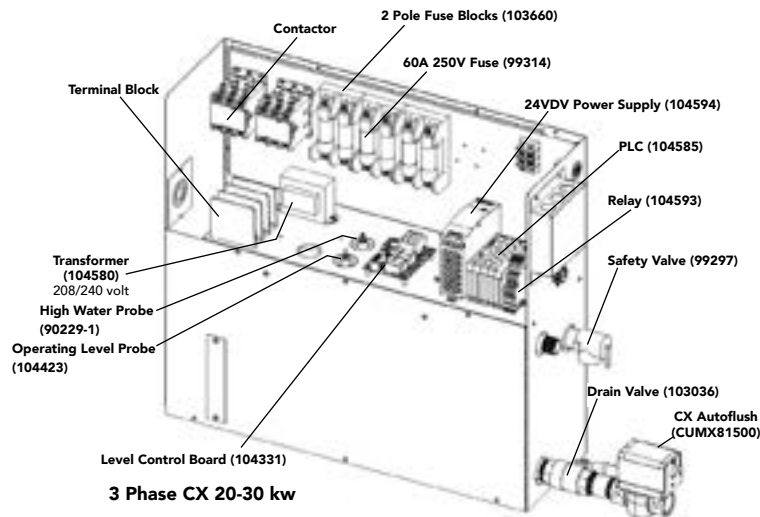
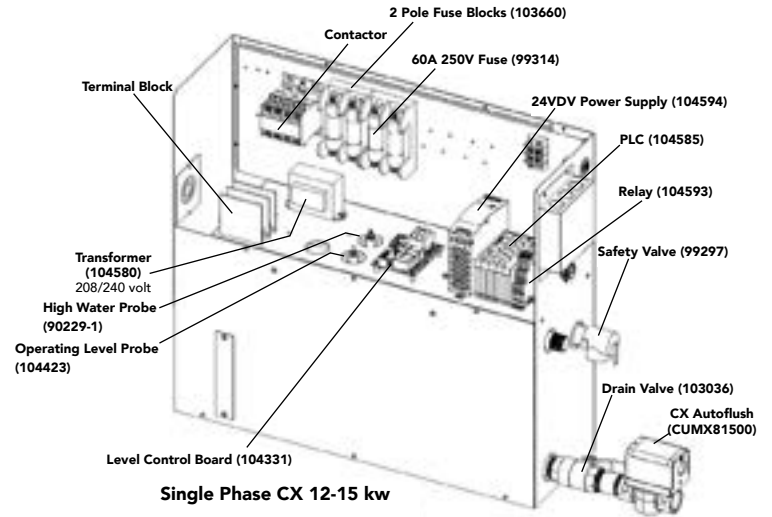
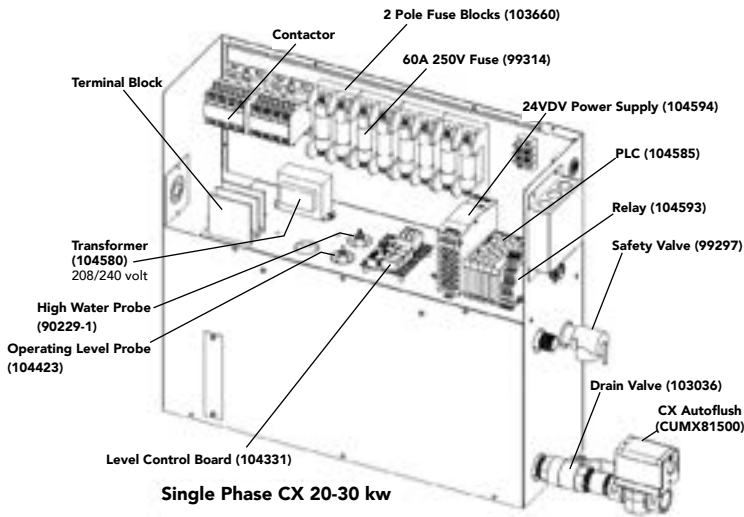
99297	15 PSIG Safety Valve	\$77.00
104198	Pressure Reducing Valve	\$243.00
103036	Drain Valve 1"	\$91.00

OTHER ACCESSORIES

CT81500	AutoFlush® Assembly 1" NPT	\$625.00
CT-STEAMSTOP	Start/Stop Button	\$639.00
104016	High Limit Thermostat	\$127.00
103978-60	CT SteamStop 60 Foot Cable	\$218.00
104678-60	60 Foot Cable	\$315.00

Prices are FOB factory, Long Island City, NY • Prices are subject to change without notice • Handling charges apply to equipment, accessories & parts orders.
 All images in this price book are for illustrative purposes only. Many images are altered for presentation purposes.
 Contact MrSteam for complete product information. Please see page 2 for important safety information regarding the use of this price book.

CX GENERATORS



CX GENERATORS

PART NO.	DESCRIPTION	PRICE	PART NO.	DESCRIPTION	PRICE
103036	Manual Drain Valve All Models	\$91.00	29121BMS	Heating Element 12kW 208V Single Phase CX0500	\$651.00
99297	Safety Valve 15PSI All Models	\$77.00	29123BMS	Heating Element 12kW 208V Three Phase CX0500	\$651.00
104423	Liquid Level Probe - Low Water All Models	\$124.00	29121CMS	Heating Element 12kW 240V Single Phase CX0500	\$651.00
90229-1	Liquid Level Probe - High Water All Models	\$85.00	29123CMS	Heating Element 12kW 240V Three Phase CX0500	\$651.00
103660	Fuse Block 2-Pole All Models	\$95.00	29123FMS	Heating Element 12kW 480V Three Phase CX0500	\$651.00
99314	Power Fuse 60A 250V All Models	\$24.00	29151BMS	Heating Element 15 kW 208V Single Phase CX0600	\$651.00
104024	30 FT Temperature Probe Wire	\$100.00	29153BMS	Heating Element 15 kW 208V Three Phase CX0600	\$651.00
104024-1	Temperature Probe Terminal	\$15.00	29151CMS	Heating Element 15 kW 240V Single Phase CX0600	\$651.00
104580	Transformer 240V-120V 100VA All Models 208/240 Volt	\$103.00	29153CMS	Heating Element 15 kW 240V Three Phase CX0600	\$651.00
104642	Transformer 480V-120V 100VA All models 480 Volt	\$150.00	29153FMS	Heating Element 15 kW 480V Three Phase CX0600	\$651.00
104676	Transformer 600V-120V 100VA All Models 600 Volt	\$400.00	29201BMS	Heating Element 20kW 208V Single Phase CX0800	\$864.00
104581	Water Feed Solenoid Valve W/Filter All Models	\$135.00	29203BMS	Heating Element 20kW 208V Three Phase CX08000	\$864.00
104582	Contactorm 50a 4-Pole All 1-Phase Models (Except Cx0360)	\$528.00	29201CMS	Heating Element 20kW 240V Single Phase CX0800	\$864.00
104585	PLC All Models, Includes 104586-9	\$2,060.00	29203CMS	Heating Element 20kW 240V Three Phase CX0800	\$864.00
104586	PLC, CP102 Main Module	\$970.00	29203FMS	Heating Element 20kW 480V Three Phase CX0800	\$864.00
104587	PLC, DI080 Digital Input Module	\$235.00	29241BMS	Heating Element 24kW 208V Single Phase CX1000	\$864.00
104588	PLC, AI023 Analog Input Module	\$570.00	29243BMS	Heating Element 24kW 208V Three Phase CX1000	\$864.00
104589	PLC, RO051 Relay Output Module	\$290.00	29241CMS	Heating Element 24kW 240V Single Phase CX1000	\$864.00
104583	Contactorm 50A 3-Pole All 3-Phase Models & CX0360 1-Phase	\$349.00	29243CMS	Heating Element 24kW 240V Three Phase CX1000	\$864.00
104584	Control All Models HMI, CX	\$2,060.00	29243FMS	Heating Element 24kW 480V Three Phase CX1000	\$864.00
104594	Power Supply, 120VAC To 24VDC All Models	\$288.00	29301BMS	Heating Element 30kW 208V Single Phase CX1250	\$864.00
104273-30	Ethernet Cable 30' All Models	\$46.00	29303BMS	Heating Element 30kW 208V Three Phase CX1250	\$864.00
104637	Ethernet Hub CX1600-CX5000	\$299.00	29301CMS	Heating Element 30kW 240V Single Phase CX1250	\$864.00
104632	Control Power Cable All Models	\$251.00	29303CMS	Heating Element 30kW 240V Three Phase CX1250	\$864.00
104331	Water Level Control Board All Models	\$646.00	29303FMS	Heating Element 30kW 480V Three Phase CX1250	\$864.00
104593	Relay, Spdt 6A 120V All Models	\$225.00	CX81500	Cx Autoflush All Models	\$599.00
104067	Room Temperature Probe All Models	\$282.00			
104596	Tank Temperature Probe All Models	\$157.00			
104635	HMI Mounting Kit (Incl. Surface & Flush mounts)	\$105.00			
99096MS	Heating Element Gasket CX0360 - CX0600	\$23.00			
99096MX	Heating Element Gasket CX0800 - CX1250	\$27.00			
29091BMS	Heating Element 9kW 208V Single Phase CX0360	\$481.00			
29093BMS	Heating Element 9kW 208V Three Phase CX0360	\$481.00			
29091CMS	Heating Element 9kW 240V Single Phase CX0360	\$481.00			
29093CMS	Heating Element 9kW 240V Three Phase CX0360	\$481.00			

CU COMMERCIAL GENERATORS

Models - CU 360 - CU 4500

PART NO.	DESCRIPTION	PRICE
BLOWDOWN		
99353	Time Delay Relay Board	\$227.00
103805	Mechanical Mil 72* Blowdown Timer - Analog	\$435.00
103661	1" Blowdown valve (all CU's)	\$1,944.00
103662	Digital Blowdown Timer	\$380.00
104251	Snubber <i>(used with Digital Blowdown ONLY)</i>	\$48.00

CONTACTORS

99003	50A 3 Pole 120V 50/60	\$379.00
99006B	50A 4 Pole 120V 50/60	\$630.00
99075	60A 3 Pole 120V 50/60	\$489.00
102206-1	75A 3 Pole 120V 50/60	\$751.00

COMPONENTS FOR DIGITAL 1 CONTROL

104066	D1 Plus Control ONLY 120V	\$360.00
104066C	D1 Plus Control ONLY 240V	\$360.00
104067-1	Sensor ONLY for D1 Plus with Guard	\$282.00
100886	Bulb Guard D1 Sensor	\$53.00
CU-104066	D1 Plus Field Kit 120V with Sensor + Guard, Cable	\$870.00
CU-104066C	D1 Plus Field Kit 240V with Sensor + Guard, Cable	\$870.00
CU-99216B	Timer 30min Only	\$181.00
104552	Timer Digital W/Plate & Vent	\$1,005.00
104560	Timer Digital Only	\$222.00
104561	Timer Digital Only	\$106.00

COMPONENTS FOR HIGH TEMPERATURE CONTROL

104398	High Temperature Control, CU-HTC (Electronic Assembly)	\$338.00
104399	Temperature Sensor, CU-HTC	\$68.00
104417	Clear Temper Proof Cover, CU-HTC	\$113.00

PART NO.	DESCRIPTION	PRICE
ELEMENTS		
29091B	9 KW 208V 1PH	\$481.00
29091C	9 KW 240V 1PH	\$481.00
29093B	9 KW 208V 3PH	\$481.00
29093C	9 KW 240V 3PH	\$481.00
29093F	9 kW 480V 3PH	\$481.00
39121B	12 KW 208V 1PH	\$651.00
39121C	12 KW 240V 1PH	\$651.00
39123B	12 KW 208V 3PH	\$651.00
39123C	12 KW 240V 3PH	\$651.00
39123F	12 KW 480V 3PH	\$651.00
39181B	18 KW 208V 1PH	\$864.00
39181C	18 KW 240V 1PH	\$864.00
39183B	18 KW 208V 3PH	\$864.00
39183C	18 KW 240V 3PH	\$864.00
39183F	18 KW 480V 3PH	\$864.00
99096B	Gasket 4 1/2" Dia. <i>(does not require compound)</i>	\$23.00
103540	Gasket Kit <i>(includes gasket, hardware & bolts)</i> <i>(does not require compound)</i>	\$57.00
99547Z	Bolt Hex Hd Elmt Blk Zn Pl (1)	\$5.00



DIGITAL-1 CONTROL

Prices are FOB factory, Long Island City, NY • Prices are subject to change without notice • Handling charges apply to equipment, accessories & parts orders.
All images in this price book are for illustrative purposes only. Many images are altered for presentation purposes.
Contact MrSteam for complete product information. Please see page 2 for important safety information regarding the use of this price book.

CU COMMERCIAL STEAMBATH

Models CU 360 - CU 4500

ELECTRICAL

PART NO.	DESCRIPTION	PRICE
90229	Probe Spark Plug-(1) for each rod w/o Probe Rod	\$85.00
99807B	1/4" x 9" Probe Rod Stainless** CU360-CU1400-low water	\$34.00
92830	ON/OFF Switch	\$61.00
99207	Terminal Block 150 AMP 3 Pole	\$109.00
99524-6T	18" #6 Wire with Terminal - for Heating Element	\$34.00
104304	Operating Level Probe** CU360-CU1400	\$136.00
103127	Dual Probe LL PC Board 120V CU360-CU1400	\$578.00
103127-1	Dual Probe LL PC Board 240V CU360-CU1400	\$613.00
100378	Probe Isolator	\$124.00
90229-1	High Water Cutoff No Rod Probe (also used for AUX LWCO on older CUs)	\$147.00
90241MRT	AUX LWCO Board (All CU Models)	\$844.00
92829	AUX LWCO Pilot Light	\$29.00
99348	AUX LWCO Reset Button	\$74.00
90241D	High Water Level Control	\$427.00
99314	Power Fuses 60A 250V (use on 208/240V CU models)	\$24.00
99315	Fuse Block (use on 208/240V CU models)	\$110.00
99316	Power Fuses 60A 600V (use on 480V CU models)	\$66.00
99317	Fuse Block (use on 480V CU models)	\$146.00
99580	Terminal Block 4 POLE 30A 600V	\$45.00
99593	Terminal Block 3-Pole 600V 310A	\$349.00
104327B	CU-Timer 30min w/Plate & Vent	\$464.00
104477	Level Control Board beginning with SN # AXD-4953 (CU360-1400 ONLY)	\$891.00
CU99325B	Transformer 1/2 KVA 208V/120V For CU Boiler	\$1,020.00
CU99331C	Transformer 1/4 KVA 208V/120V For CU Boiler	\$650.00
CU99331F	Transformer 1/4 KVA 480V/120V For CU Boiler	\$750.00

**Also CU1000 -1400 w/SN beginning with "AX"

GAUGE GLASS

PART NO.	DESCRIPTION	PRICE
99074-1	Gauge Glass with 2 Gaskets (CU360 - 750) 7 3/4" long	\$46.00
	Gauge Glass with 2 Gaskets (CU1000 - 1400) 7 3/4" long (SN beginning with "AX")	\$46.00
99080-1	Gauge Glass with 2 Gaskets (CU1000 - CU1400) 9 3/4" long (SN beginning with "N")	\$57.00
	Gauge Glass with 2 Gaskets (CU2000 - CU3000) 9 3/4" long	\$57.00
99081-1	Gauge Glass with 2 Gaskets (CU4500) - 11 3/4"	\$68.00
99174CV	Gauge Glass O-Ring Gasket- VitonWasher	\$14.00
99173C	Gauge Glass Valve Set less tubes & rods	\$235.00

MECHANICAL FEEDER

99114	Mechanical Low Water CutOff & Feeder M/M No.150 (CU2000 - CU4500)	\$3,625.00
103914	Micro Switch ASSY	\$631.00
SA150-14	Head Gasket	\$29.00
SA150-11	Float Rod & Ball Assembly	\$2,102.00

CU COMMERCIAL STEAMBATHS

Models - CU 360 - CU 4500

WATER FEED & STEAM SOLENOIDS

PART NO.	DESCRIPTION	PRICE
99031	1/2" 120V Water Feed (CU2000-CU4500)	\$382.00
99032	1/2" 240V Water Feed (CU2000-CU4500)	\$382.00
99042	1/4" 120V Water Feed (CU360-CU1400)	\$338.00
99042C	1/4" 240V Water Feed (CU360-CU1400)	\$349.00
99284A	Low Pressure Steam 120V 1"	\$3,362.00
99285A	Low Pressure Steam 120V 1/2"	\$439.00
99284B	Low Pressure Steam 240V 1"	\$631.00
99285B	Low Pressure Steam 240V 1/2"	\$450.00
99286A	Low Pressure Steam 120V 3/4"	\$473.00
104223	Steam Solenoid Rebuild Kit for 99286A	\$282.00

PRESSURE CONTROLS

99113R	Operating Pressure Control 0-15 PSIG	\$370.00
99290	Pressure Gauge 0-30 PSIG	\$113.00
99969R	Hi-Limit Control w/Manual Reset 15 PSIG	\$598.00
FB023	PigTail 1/4" NPT 180°	\$68.00

VALVES PARTS

99123	Strainer 1/2" 200WBP (CU2000-4500 & CU360-1400 with DP & N serial numbers)	\$174.00
99167	Spring Check Valve 1/2 (CU2000-4500 & CU360-1400 with DP & N serial numbers)	\$167.00
99178	Valve 1/2" Steam Ball (CU2000-4500 & CU360-1400 with DP & N serial numbers)	\$170.00
99184	Valve Gate Valve 1"	\$448.00
99132	15 PSIG Safety Valve 1/2" (CU2000)	\$1,281.00
99297V	15 PSIG Safety Valve 3/4" Sec I (CU2500 -CU3000)	\$939.00
99141	15 PSIG Safety Valve 1" (CU4500)	\$1,262.00
99297	15 PSIG Safety Valve 1/2" (CU360A - 1400A)	\$77.00
99182	Valve 3/4" Gate Steam	\$210.00
99162	Spring Check Valve 3/8" (CU360A-1400A)	\$101.00
104520	Valve, 3/8" Ball (CU360A-1400A)	\$26.00



AromaSteam
Injection Pump
"E" Style



Aroma Essential Fragrance
1 Gallon Bottle

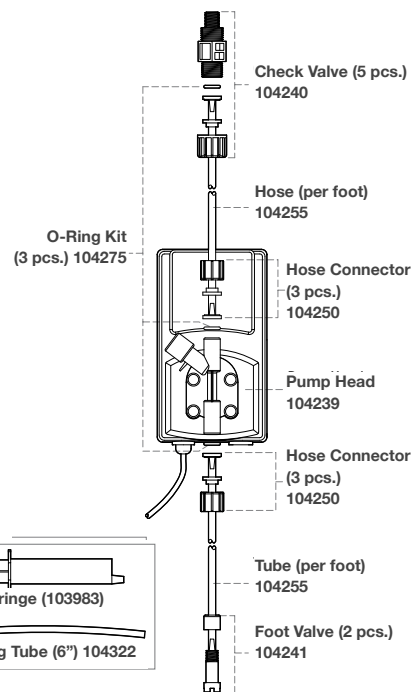
MISC. PARTS

PART NO.	DESCRIPTION	PRICE
CU103984PC	Steam Head - 3/4 Polished Chrome	\$297.00
CU-Steamstop	CU Steam Stop Emergency Stop Switch	\$562.00
104731	Acrylic Shield	\$89.00
103985	Acrylic Shield (for use with 103984 SteamHead)	\$82.00
104072	Steam Vent	\$349.00

AROMAFLO® COMMERCIAL Fragrance

INJECTION SYSTEM

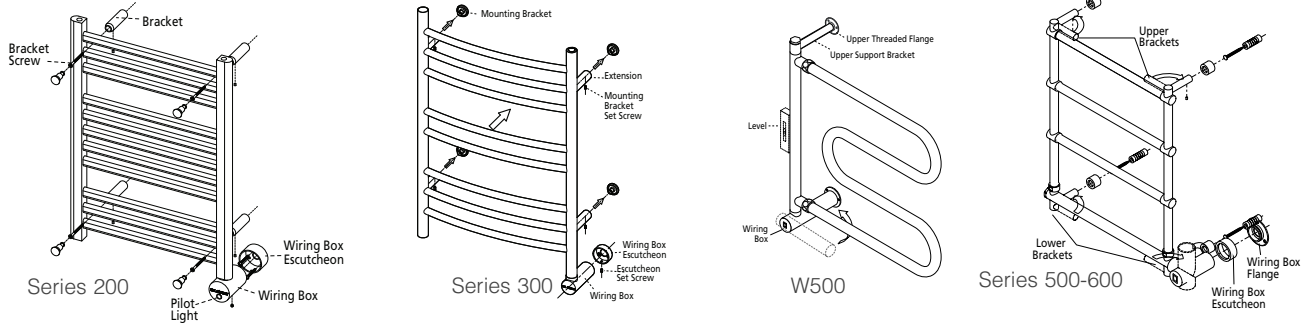
E01-1032	Hose (per ft.)	\$15.00
103987	AromaSteam Filter	\$183.00
103983	AromaSteam Syringe	\$32.00
103918	AromaSteam Atomizing Nozzle	\$312.00
104239	Pump Head, "E" Style	\$552.00
104240	Check Valve, "E" Style	\$307.00
104241	Foot Valve, "E" Style	\$384.00
104250	Hose Connectors, "E" Style	\$73.00
104255	Hose, "E" Aroma Pump/foot (Common part with "E" style pump)	\$10.00
104275	Aroma Pump O-Ring Kit (3 piece set)	\$44.00
104322	AromaSteam Priming Tube 6" (independent of pump style)	\$14.00
104319	AromaFlo, 1G Fragrance Caddy (independent of pump style)	\$114.00
104492	Pump Head, New Style	\$72.00
104493	Check Valve 0.3 Bar	\$202.00
104494	Power Supply, New Aromasteam	\$40.00
104023	AromaSteam Compression Nut	\$25.00
104159	Aroma Valve Kit	\$186.00
CU-EUCALYPTUS	Fragrance, Eucalyptus 1.0 Gal	\$260.00
CU-LAVENDER	Fragrance, Laender 1.0 Gal.	\$260.00



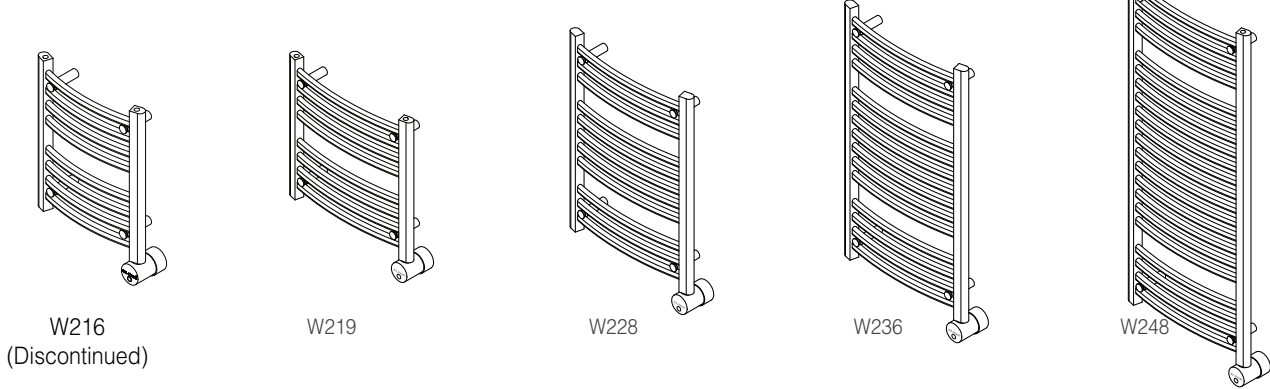
Prices are FOB factory, Long Island City, NY • Prices are subject to change without notice • Handling charges apply to equipment, accessories & parts orders.
Please see page 2 for important safety information regarding the use of this price book .

TOWEL WARMERS

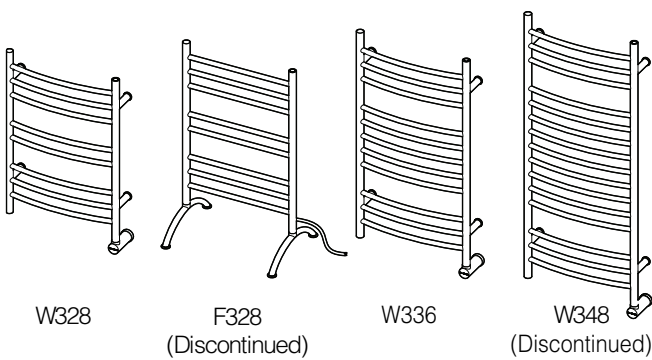
Mounting Diagrams



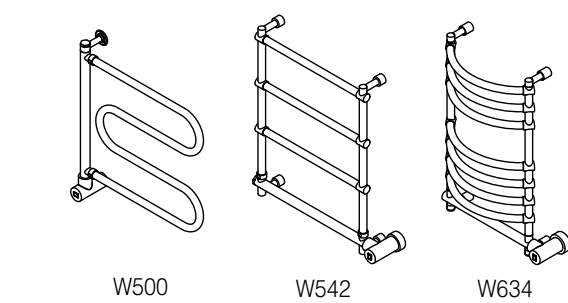
Series 200 Towel Warmer Broadway Collection®



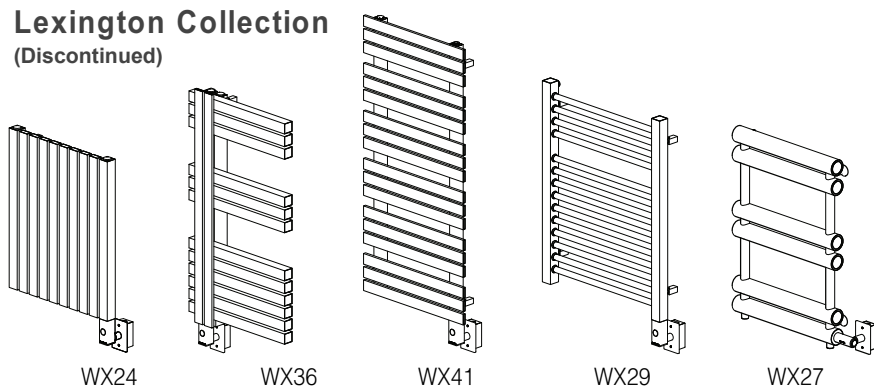
Series 300 Towel Warmer Metro Collection®



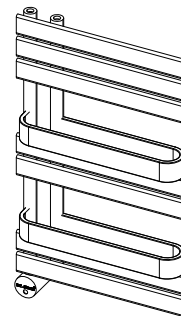
Series 500-600 Towel Warmer Fifth Avenue Collection® (Discontinued)



Lexington Collection (Discontinued)



Tribeca Collection



Prices are FOB factory, Long Island City, NY • Prices are subject to change without notice • Handling charges apply to equipment, accessories & parts orders.
 All images in this price book are for illustrative purposes only. Many images are altered for presentation purposes.
 Contact MrSteam for complete product information. Please see page 2 for important safety information regarding the use of this price book.

TOWEL WARMERS

TIMERS, LIGHTS & INDICATORS

PART NO.	DESCRIPTION	PRICE
103949	On/Off Switch - Series 500 (through SN 40560) (Fifth Avenue Collection)	\$36.00
104028	Pilot Light for Series 200 (SN 40660 & up), Series 300, Lexington & Tribeca Collection	\$27.00
104050	Pilot Light for Series 500 (Fifth Avenue Collection)	\$32.00
103588DIG	Towel Warmer Digital Timer	\$212.00

HARDWARE FOR SERIES 200 (Broadway Collection)

104029-PC	Mounting Bracket Set - Polished Chrome	\$305.00
104029-WH	Mounting Bracket Set - White	\$322.00
104029-ORB	Mounting Bracket Set - Oil Rubbed Bronze	\$322.00
104029-BB	Mounting Bracket Set - Brushed Bronze	\$282.00
104029-MB	Mounting Bracket Set - Matte Black	\$282.00
104031-PC	Escutcheon for Wiring Box - Polished Chrome	\$50.00
104031-WH	Escutcheon for Wiring Box - White	\$55.00
104031-ORB	Escutcheon for Wiring Box - Oil Rubbed Bronze	\$55.00
104031-BB	Escutcheon for Wiring Box - Brushed Bronze	\$45.00
104031-MB	Escutcheon for Wiring Box - Matte Black	\$45.00
104093PC	Wall Plate- Polished Chrome	\$48.00
104093WH	Wall Plate- White	\$57.00
104093ORB	Wall Plate- Oil Rubbed Bronze	\$57.00
104093BB	Wall Plate - Brushed Bronze	\$56.00
104093MB	Wall Plate - Matte Black	\$56.00

HARDWARE FOR SERIES 300 (Metro Collection)

104090-SSB	Mounting Bracket Set - Brushed Stainless Steel	\$236.00
104090-SSP	Mounting Bracket Set - Polished Stainless Steel	\$236.00
104091-SSB	Escutcheon for Wiring Box - Brushed Stainless Steel	\$39.00
104091-SSP	Escutcheon for Wiring Box - Polished Stainless Steel	\$39.00
104093SSB	Wall Plate - Brushed Stainless Steel	\$47.00
104093SSP	Wall Plate - Polished Stainless Steel	\$52.00

HEATING ELEMENTS

PART NO.	DESCRIPTION	PRICE
103963	W510 TW Heating Element 70 Watt	\$370.00
103964	W500 TW Heating Element 100 Watt	\$370.00
103965	W842, W542 TW Heating Element 150 Watt	\$370.00
103966	W552, W554, W562, W572, W634 TW Heating Element 200 Watt	\$373.00
103967	W556, W856 TW Heating Element 200 Watt	\$370.00
104030	W228, W236, W248 TW Heating Element 400 Watt	\$270.00
104136	W216, W219 TW Heating Element 200 Watt	\$270.00

LEXINGTON COLLECTION

104278	WX 300 Watt Heating Element - for models WX24, WX27, WX29	\$270.00
104279	WX 400 Watt Heating Element - for models WX36, WX41	\$272.00
104280SSB	WX TW Square Mounting Set, SSB - for models WX24, WX29, WX36, WX41	\$172.00
104280SSP	WX TW Square Mounting Set, SSP - for models WX24, WX29, WX36, WX41	\$172.00
104281SSB	WX TW Round Mounting Set, SSB - for model WX27	\$172.00
104281SSP	WX TW Round Mounting Set, SSP - for model WX27	\$207.00

TRIBECA COLLECTION

104031	MB Escutcheon for Wiring Box - Matte Black	\$44.00
104093MB	Wall Plate - Matte Black	\$56.00
104694-MB	W832 MTG Black Set (4) Matte Black	\$282.00

Prices are FOB factory, Long Island City, NY • Prices are subject to change without notice • Handling charges apply to equipment, accessories & parts orders.

Please see page 2 for important safety information regarding the use of this price book .

SAUNAS BY MRSTEAM

PART NO.	DESCRIPTION	PRICE
S19030C	3 kW 240 Volt Sauna Heating Element (3 per SCA09C1 Sauna Heaters)	\$300.00
S19020C	2 kW 240 Volt Sauna Heating Element (3 per SCA06C1 Sauna Heaters)	\$230.00
S19015C	1.5 kW 240 Volt Sauna Heating Element (3 per SCA04C1 Sauna Heaters)	\$220.00
103834C	240 VAC Contactor (All SCA Series Sauna)	\$113.00
104729	In Room Temperature Sensor (All SCA Series Sauna Heaters)	\$245.00
104730	High Temperature Thermostat (All SCA Series Sauna Heaters)	\$91.00

