



neptronic®

Steam Humidifier

SKE4-N Series

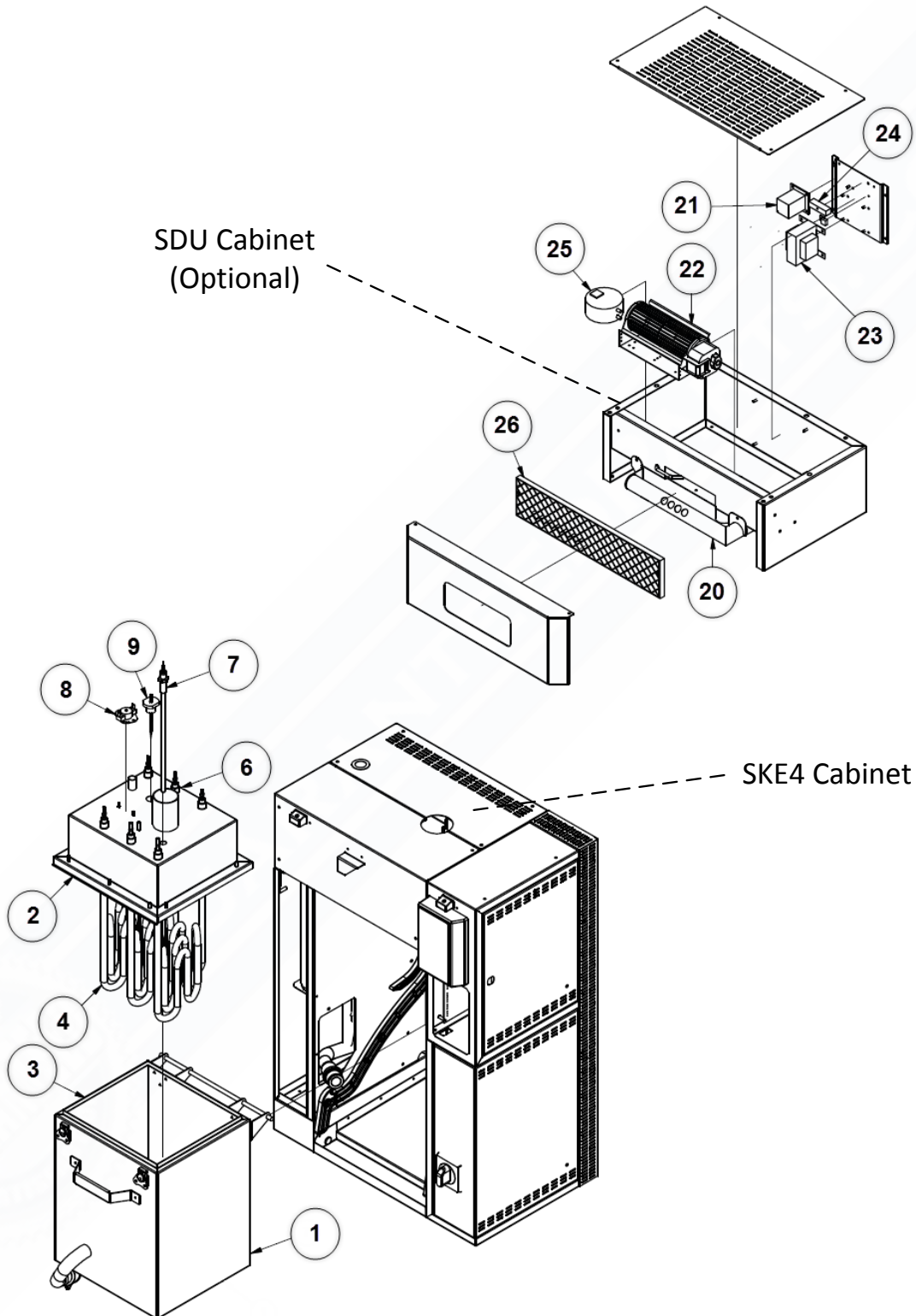


Intertek
4011008



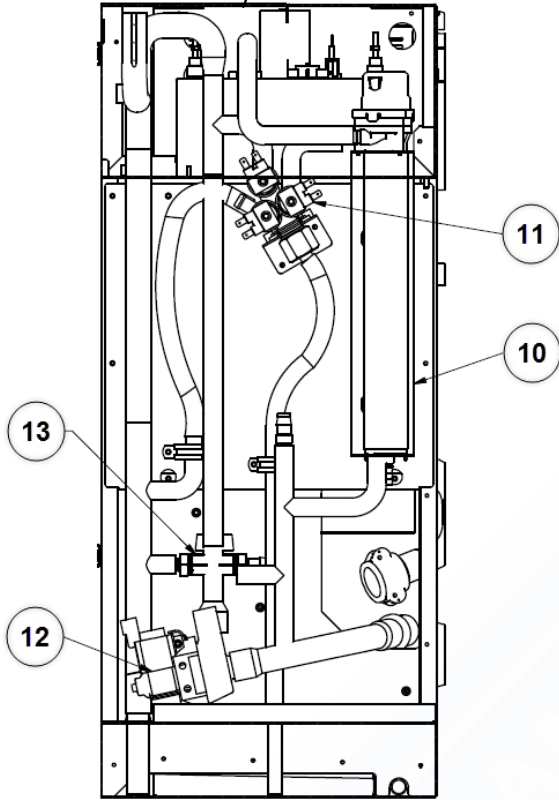
Exploded View and Bill of Material

Exploded View

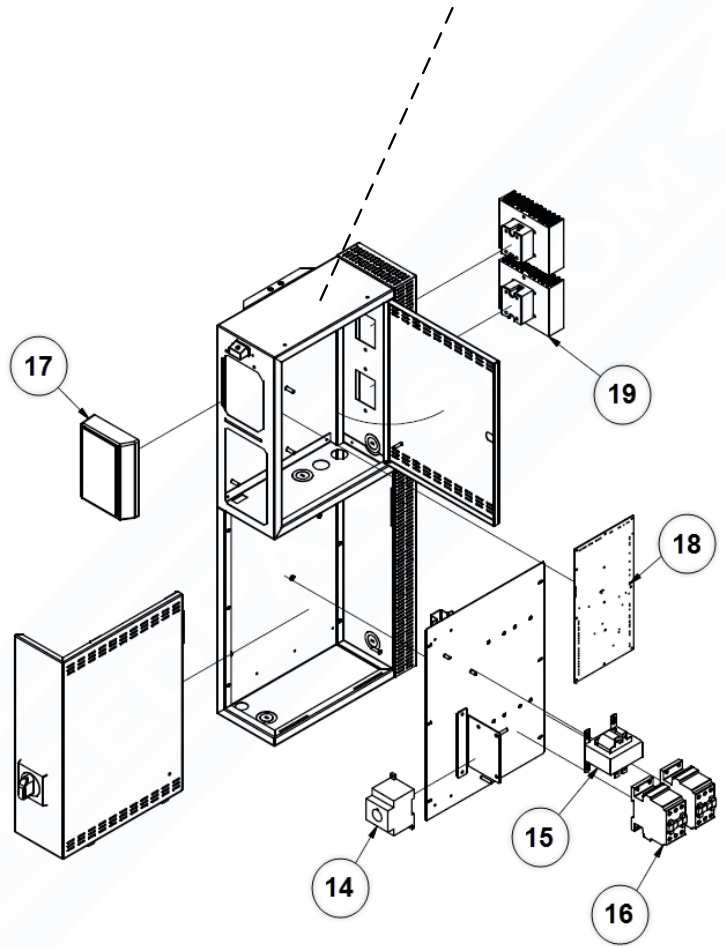




Plumbing Compartment



Electrical Compartment





Bill of Material

Item	Description	Model	Part Number
1	Evaporation chamber container	SKE4-N02 to SKE4-N06	SW 4222-20
		SKE4-N02 to SKE4-N06 (Ultrapure DI option)	SW 4222-20SS
		SKE4-N10 to SKE4-N30	SW 4232-20
		SKE4-N10 to SKE4-N30 (Ultrapure DI option)	SW 4232-20SS
		SKE4-N20L to SKE4-N60	SW 4242-20
		SKE4-N20L to SKE4-N60 (Ultrapure DI option)	SW 4242-20SS
		SKE4-N30X to SKE4-N100	SW 4253
2	Evaporation chamber cover	SKE4-N02 to SKE4-N06 (1 phase)	SP 4222-1R
		SKE4-N02 to SKE4-N06 (3 phases)	SP 4222-2R
		SKE4-N10 to SKE4-N14	SP 4232-1R
		SKE4-N16 to SKE4-N30	SP 4232-2R
		SKE4-N20L to SKE4-N60	SP 4242-1R
		SKE4-N30X to SKE4-N70	SP 4251
		SKE4-N80 to SKE4-N100	SP 4252
3	Evaporation chamber gasket	SKE4-N02 to SKE4-N06	SP 4222-8
		SKE4-N10 to SKE4-N30	SP 4232-8
		SKE4-N20L to SKE4-N100	SP 4242-8
4	Heating element	See table below	
5	Washer (heating element)	SKE4-N02 to SKE4-N100	SP 1005
6	S/S hex. jam nut (heating element)	SKE4-N02 to SKE4-N100	SP 2330
7	Temperature sensor	See table below	
8	High temperature switch (klixon)	SKE4-N02 to SKE4-N100	SP 3036
9	Foam sensor	SKE4-N02 to SKE4-N06	SW FOAMSM-ASSY
		SKE4-N10 to SKE4-N60	SW FOAMMED-ASSY
		SKE4-N30X to SKE4-N100	SW FOAMSM-ASSY
10	Water level sensor	See table below	
11	Water supply valve	SKE4-N02 to SKE4-N100	SP 6009
12	Drain pump	SKE4-N02 to SKE4-N100	SP G4101
13	Drain valve	SKE4-N02 to SKE4-N100	SP 4233-59
14	Disconnect switch	See table below	
15	Transformer	See table below	
16	Contactora	See table below	
17	Alphanumeric display	SKE4-N02 to SKE4-N100	SW SKE4DISPLAY-AS
		SKE4-N02W to SKE4-N100W	SW SKE4DISPLAY2
18	Printed circuit board	SKE4-N02 to SKE4-N100	NW SKE4MAINSS
		SKE4-N02W to SKE4-N100W	NW SKE4MAINWSS
19	Solid-state relay	SKE4-N02 to SKE4-N14, SKE4-N16 (600V), SKE4-N20 to SKE4-N90, SKE4-N100 (600V)	SP 3102
		SKE4-N16 (208V), SKE4-N100 (480V)	SP 3103
20	SDU steam dispersion manifold	SDU4-1	SW 4134
		SDU4-2	SW 4135
		SDU4-3	SW 4136
21	SDU relay	SDU4-1, SDU4-2 & SDU4-3	SP 3114
22	SDU fan	SDU4-1 (120, 208, 480, 600V)	SP 3011
		SDU4-1 (240V)	SP 3012
		SDU4-2	SP 3009
		SDU4-3	SP 3014
23	SDU transformer	See table below	
24	Fuse inside SDU	SDU4-1, SDU4-2 & SDU4-3	SP 5105
25	SDU airflow switch	SDU4-1, SDU4-2 & SDU4-3	SP 4137
26	SDU plastic grill	SDU4-1, SDU4-2 & SDU4-3	SP 4131-11



Model		4 Heating element	7 Temperature sensor	10 Water level sensor	14 Disconnect switch	15 Transformer	16 Contactor	23 SDU transformer
SKE4-N02	120V/1	SW 5943	SW SK4TEMPSENS-6	SW SK4WLTR1-HEAD	DP13-3004	SP 3380	SP 3080	-
	240V/1	SW 5932	SW SK4TEMPSENS-6	SW SK4WLTR1-HEAD	DP13-3004	SP 3310	DP11-6002	-
	208V/1	SW 5933	SW SK4TEMPSENS-6	SW SK4WLTR1-HEAD	DP13-3004	SP 3308	DP11-6002	SP 3305
	480V/1	SW 5934	SW SK4TEMPSENS-6	SW SK4WLTR1-HEAD	DP13-3004	SP 3321	DP11-6002	SP 3329
	600V/1	SW 5935	SW SK4TEMPSENS-6	SW SK4WLTR1-HEAD	DP13-3004	SP 3341	DP11-6002	SP 3349
SKE4-N04	240V/1	SW 5937	SW SK4TEMPSENS-6	SW SK4WLTR1-HEAD	DP13-3004	SP 3310	SP 3080	-
	208V/1	SW 5940	SW SK4TEMPSENS-6	SW SK4WLTR1-HEAD	DP13-3004	SP 3308	SP 3080	SP 3305
	208V/3	SW 5924 (3x)	SW SK4TEMPSENS-6	SW SK4WLTR1-HEAD	DP13-3004	SP 3308	DP11-6002	SP 3305
	480V/1	SW 5941	SW SK4TEMPSENS-6	SW SK4WLTR1-HEAD	DP13-3004	SP 3321	DP11-6002	SP 3329
	480V/3	SW 5923 (3x)	SW SK4TEMPSENS-6	SW SK4WLTR1-HEAD	DP13-3004	SP 3321	DP11-6002	SP 3329
	600V/1	SW 5942	SW SK4TEMPSENS-6	SW SK4WLTR1-HEAD	DP13-3004	SP 3341	DP11-6002	SP 3349
	600V/3	SW 5925 (3x)	SW SK4TEMPSENS-6	SW SK4WLTR1-HEAD	DP13-3004	SP 3341	DP11-6002	SP 3349
SKE4-N06	240V/1	SW 5938	SW SK4TEMPSENS-6	SW SK4WLTR1-HEAD	DP13-3004	SP 3310	SP 3100	-
	208V/1	SW 5943	SW SK4TEMPSENS-6	SW SK4WLTR1-HEAD	DP13-3004	SP 3308	SP 3100	SP 3305
	208V/3	SW 5933 (3x)	SW SK4TEMPSENS-6	SW SK4WLTR1-HEAD	DP13-3004	SP 3308	SP 3080	SP 3305
	480V/1	SW 5944	SW SK4TEMPSENS-6	SW SK4WLTR1-HEAD	DP13-3004	SP 3321	DP11-6002	SP 3329
	480V/3	SW 5934 (3x)	SW SK4TEMPSENS-6	SW SK4WLTR1-HEAD	DP13-3004	SP 3321	DP11-6002	SP 3329
	600V/1	SW 5945	SW SK4TEMPSENS-6	SW SK4WLTR1-HEAD	DP13-3004	SP 3341	DP11-6002	SP 3349
	600V/3	SW 5935 (3x)	SW SK4TEMPSENS-6	SW SK4WLTR1-HEAD	DP13-3004	SP 3341	DP11-6002	SP 3349
SKE4-N10	208V/3	SW 5959 (3x)	SW SK4TEMPSENS-12	SW SK4WLTR2-HEAD	DP13-3004	SP 3308	SP 3100	SP 3305
	480V/3	SW 5958 (3x)	SW SK4TEMPSENS-12	SW SK4WLTR2-HEAD	DP13-3004	SP 3321	DP11-6002	SP 3329
	600V/3	SW 5957 (3x)	SW SK4TEMPSENS-12	SW SK4WLTR2-HEAD	DP13-3004	SP 3341	DP11-6002	SP 3349
SKE4-N14	208V/3	SW 5946 (3x)	SW SK4TEMPSENS-12	SW SK4WLTR2-HEAD	DP13-3005	SP 3308	SP 3100	SP 3305
	480V/3	SW 5947 (3x)	SW SK4TEMPSENS-12	SW SK4WLTR2-HEAD	DP13-3004	SP 3321	SP 3080	SP 3329
	600V/3	SW 5948 (3x)	SW SK4TEMPSENS-12	SW SK4WLTR2-HEAD	DP13-3004	SP 3341	SP 3080	SP 3349
SKE4-N16	208V/3	SW 5960 (3x)	SW SK4TEMPSENS-12	SW SK4WLTR2-HEAD	DP13-3005	SP 3308	DP11-6008	SP 3368
	600V/3	SW 5958 (3x)	SW SK4TEMPSENS-12	SW SK4WLTR2-HEAD	DP13-3004	SP 3341	SP 3080	SP 3396
SKE4-N20	480V/3	SW 5950 (3x)	SW SK4TEMPSENS-12	SW SK4WLTR2-HEAD	DP13-3004	SP 3321	SP 3100	SP 3395
	600V/3	SW 5951 (3x)	SW SK4TEMPSENS-12	SW SK4WLTR2-HEAD	DP13-3004	SP 3341	SP 3080	SP 3396
SKE4-N30	480V/3	SW 5952 (3x)	SW SK4TEMPSENS-12	SW SK4WLTR2-HEAD	DP13-3004	SP 3321	SP 3100	SP 3395
	600V/3	SW 5939 (3x)	SW SK4TEMPSENS-12	SW SK4WLTR2-HEAD	DP13-3004	SP 3341	SP 3100	SP 3396
SKE4-N20L	208V/3	SW 5959 (6x)	SW SK4TEMPSENS-12	SW SK4WLTR2-HEAD	DP13-3005	SP 3308	SP 3100 (2x)	-
SKE4-N40	480V/3	SW 5950 (6x)	SW SK4TEMPSENS-12	SW SK4WLTR2-HEAD	DP13-3005	SP 3321	SP 3100 (2x)	-
	600V/3	SW 5951 (6x)	SW SK4TEMPSENS-12	SW SK4WLTR2-HEAD	DP13-3005	SP 3341	SP 3080 (2x)	-
SKE4-N50	480V/3	SW 5950 (3x) SW 5952 (3x)	SW SK4TEMPSENS-12	SW SK4WLTR2-HEAD	DP13-3006	SP 3321	SP 3100 (2x)	-
	600V/3	SW 5952 (6x)	SW SK4TEMPSENS-12	SW SK4WLTR2-HEAD	DP13-3005	SP 3341	SP 3100 (2x)	-
SKE4-N60	480V/3	SW 5952 (6x)	SW SK4TEMPSENS-12	SW SK4WLTR2-HEAD	DP13-3006	SP 3321	SP 3100 (2x)	-
	600V/3	SW 5939 (6x)	SW SK4TEMPSENS-12	SW SK4WLTR2-HEAD	DP13-3006	SP 3341	SP 3100 (2x)	-
SKE4-N30X	208V/3	SW 5959 (9x)	SW SK4TEMPSENS-12	SW SK4WLTR2-HEAD	DP13-3006	SP 3381	SP 3100 (3x)	-
SKE4-N40X	208V/3	SW 5946 (9x)	SW SK4TEMPSENS-12	SW SK4WLTR2-HEAD	DP13-3008	SP 3381	SP 3100 (3x)	-
SKE4-N70	480V/3	SW 5950 (6x) SW 5952 (3x)	SW SK4TEMPSENS-12	SW SK4WLTR2-HEAD	DP13-3006	SP 3383	SP 3100 (3x)	-
	600V/3	SW 5951 (6x) SW 5939 (3x)	SW SK4TEMPSENS-12	SW SK4WLTR2-HEAD	DP13-3006	SP 3384	SP 3100 (3x)	-
SKE4-N80	480V/3	SW 5952 (6x) SW 5950 (3x)	SW SK4TEMPSENS-12	SW SK4WLTR2-HEAD	DP13-3008	SP 3383	SP 3100 (3x)	-
	600V/3	SW 5939 (6x) SW 5951 (3x)	SW SK4TEMPSENS-12	SW SK4WLTR2-HEAD	DP13-3006	SP 3384	SP 3100 (3x)	-
SKE4-N90	480V/3	SW 5962 (9x)	SW SK4TEMPSENS-12	SW SK4WLTR2-HEAD	DP13-3008	SP 3383	SP 3100 (3x)	-
	600V/3	SW 5963 (9x)	SW SK4TEMPSENS-12	SW SK4WLTR2-HEAD	DP13-3006	SP 3384	SP 3100 (3x)	-
SKE4-N100	480V/3	SW 5969 (9x)	SW SK4TEMPSENS-12	SW SK4WLTR2-HEAD	DP13-3008	SP 3383	DP11-6008 (3x)	-
	600V/3	SW 5970 (9x)	SW SK4TEMPSENS-12	SW SK4WLTR2-HEAD	DP13-3008	SP 3384	SP 3100 (3x)	-