



neptronic®

Gas Fired Humidifier

SKG4-N Series

Installation Instructions and User Manual



READ AND SAVE THESE INSTRUCTIONS



Intertek
4011008



Exploded View and Bill of Material

General

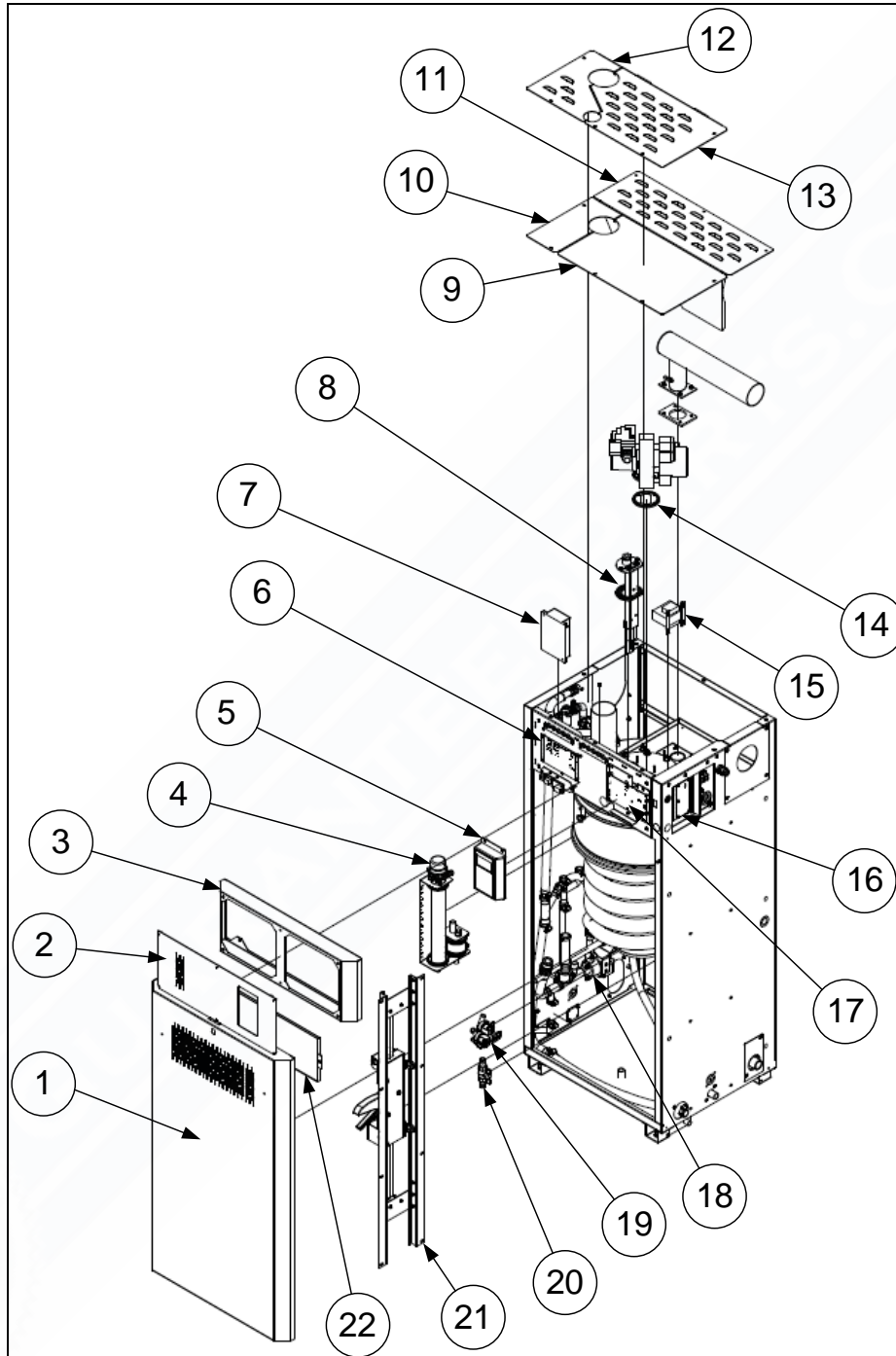


Illustration 53 - General Exploded View



Item	Description	Model	Part Number
1	Front door assembly	All models	SPG6005-1
2	Front panel	Master (1st) module	SPG6005-2
		Slave module(s)	SPG6005-5
3	Front panel box	All models	SPG6005-4
4	Water level sensor assembly	All models	SWSKG4WATLEVSSENS
5	Display	All models	SWSKG4DISPLAY-AS
6	Slave PCB	All indoor models	NWSKG4SLAVESS
		All outdoor models	NWSKG4SLAVEWSS
7	Ignition control	All models	SPG2001
8	Igniter holder gasket	All models	SPG2103
9	Top front right cover	All models	SPG6005-15
10	Top front left cover	All models	SPG6005-9
11	Top back cover	All models	SPG6005-10
12	Top front left cover (direct combustion air option)	All models	SPG6005-14
13	Top front right cover (direct combustion air option)	All models	SPG6005-16
14	Combustion blower gasket	All models	SPG2104
15	Transformer	All models - 120V	SP3380
		All models - 208V	SP3308
		All models - 240V	SP3310
16	Control PCB	All models	NWSKG4CONNECTSS
17	Main PCB	All indoor models	SWSKG4MAINSS
		All outdoor models	NWSKG4MAINWSS
18	Drain pump	All models	SPG4101
19	Fill valve	All models	SP6009
20	Drain valve	All indoor models	SP4233-59
		All outdoor models	SP6016
21	Lifting mechanism	All models	SWG LIFT-ASSY
22	Air filter	All models	SPG4203
	Air pressure switch	All models	SPG2123
	Ambient temperature sensor	All outdoor models	NP242010010



Evaporation Chamber Assembly

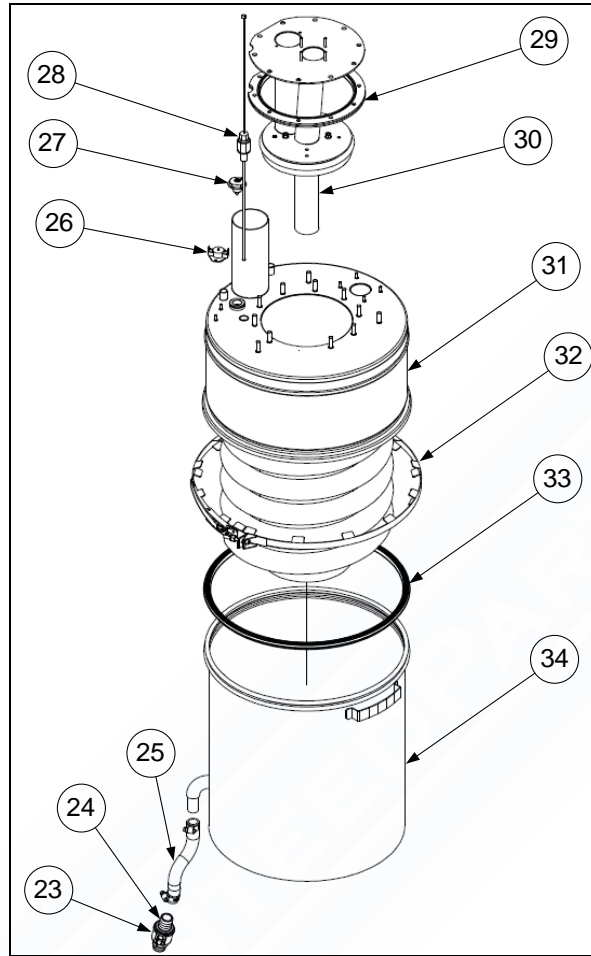


Illustration 54 - Evaporation Chamber Assembly Exploded View

Item	Description	Model	Part Number
23	Quick release drain connector (female)	All models	SP4233-11
24	Quick release drain connector (male)	All models	SP4233-12
25	Silicone hose	All models	SP1023B
26	High temperature limit switch	All models	SP3036
27	Foam sensor (AFEC)	All models	SWGAFECPROBE-ASS
28	Water temperature sensor	All models	SW G4WATTEMP-ASSY
29	Burner assembly gasket	All models	SPG2122
30	Burner assembly*	Module SKG100	SWSKG4BURN100
		Module SKG150/180	SWSKG4BURN150
		Module SKG200	SWSKG4BURN200
31	Heat exchanger*	Module SKG100/150	SWG4TANKCOVER175
		Module SKG180/200	SWG4TANKCOVER200
32	Band clamp	All models	SW GCLAMP-ASSY
33	Evaporation chamber gasket	All models	SWG2101
34	Evaporation chamber	All models	SPG3208



Note (*): Refer to the Multiple Module Composition section in order to obtain the appropriate module number for each SKG4 model.



Combustion Blower and Gas Valve Assembly

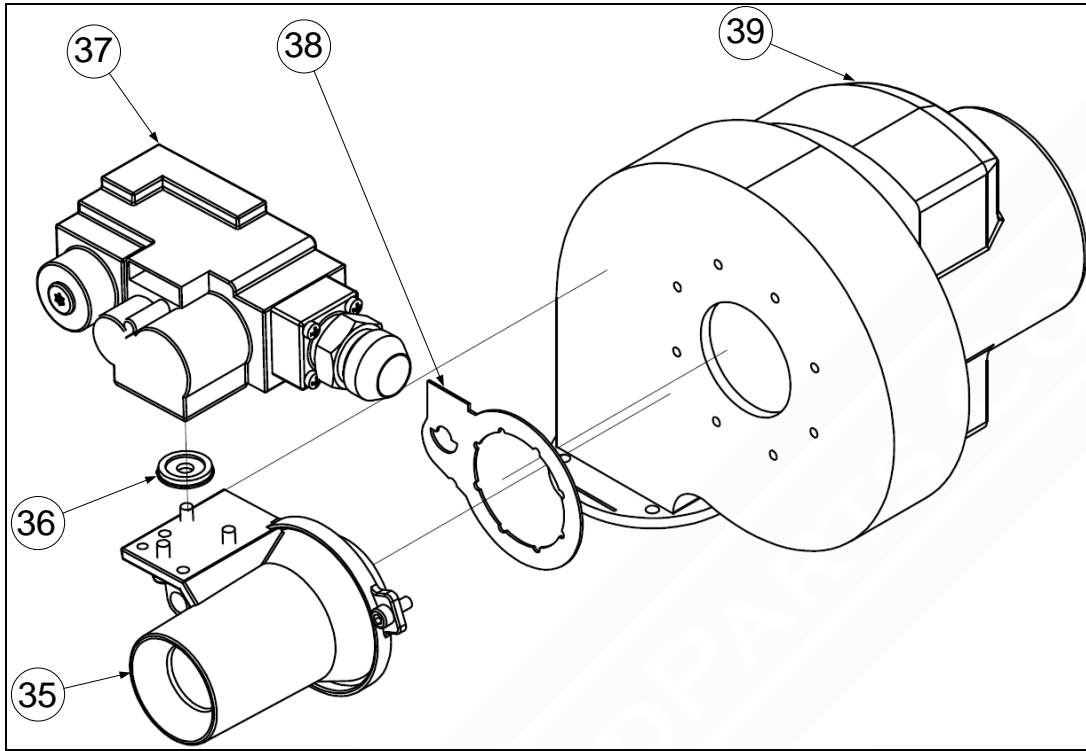


Illustration 55 - Combustion Blower and Gas Valve Assembly Exploded View

Item	Description	Model	Part Number
35	Venturi*	Module SKG100	SPG2011-03
		Module SKG150/180	SPG2011-01
		Module SKG200	SPG2011
36	Gas valve gasket	All models	SPG2008
37	Gas valve	All models	SPG2010
38	Venturi gasket	All models	SPG2116
39	Combustion blower	All models - 120V	SPG2017-120
		All models - 208V/240V	SPG2017-230



Note ()*: Refer to the Multiple Module Composition section in order to obtain the appropriate module number for each SKG4 model.



Igniter Assembly

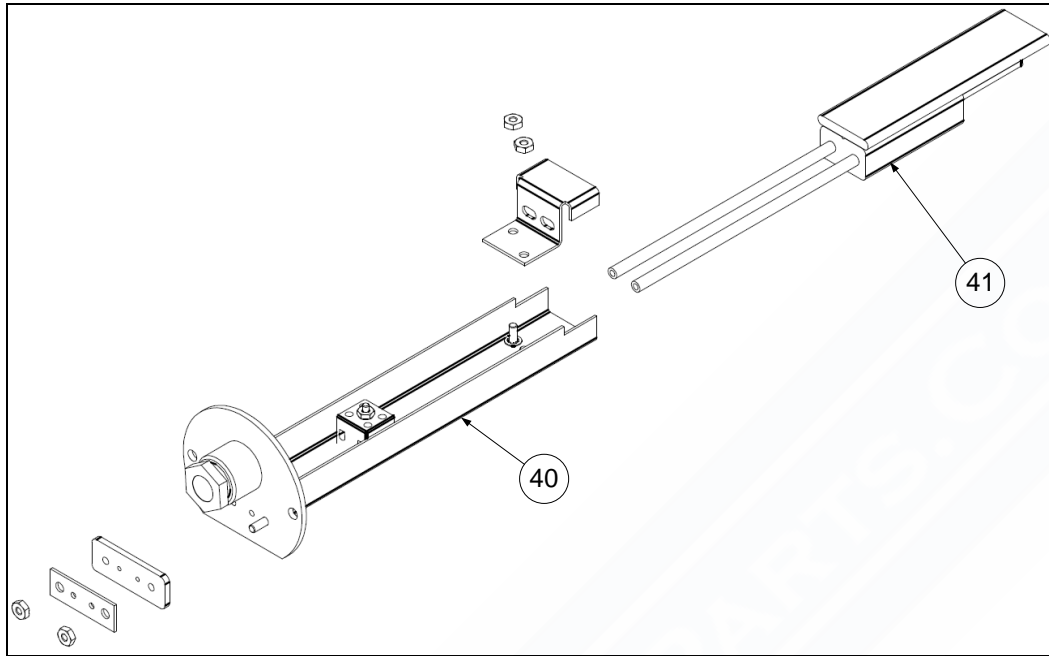


Illustration 56 - Igniter Assembly Exploded View

Item	Description	Model	Part Number
40	Igniter holder	All models	SWGIGNHOLD-H
41	Igniter	All models - 120V	SWGIGNITER-120
		All models - 208V/240V	SWGIGNITER-230

Internal Flue Pipe Assembly

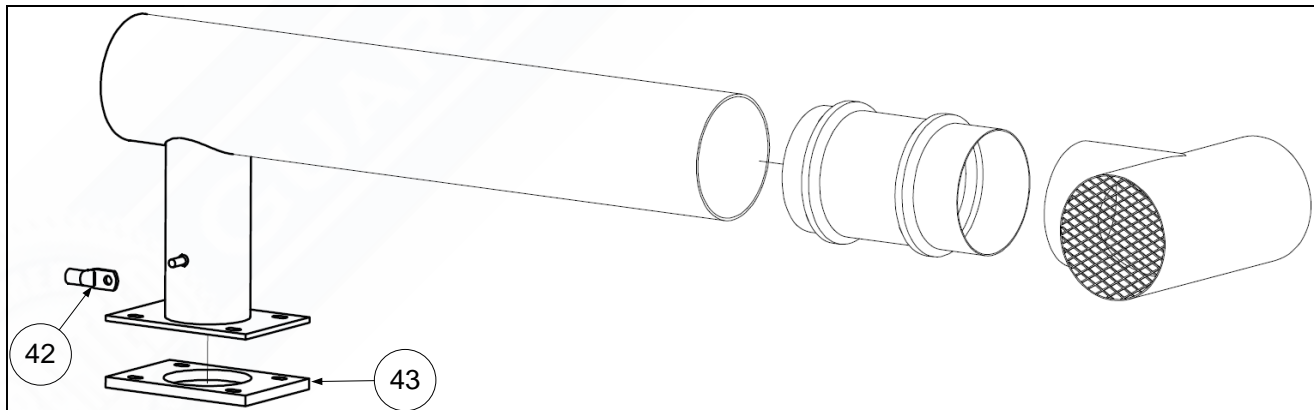


Illustration 57 - Internal Flue Pipe Assembly Exploded View

Item	Description	Model	Part Number
42	Flue temperature sensor	All models	SWG2210-ASSY
43	Flue pipe gasket	All models	SPG6008-5

Water Level Sensor Assembly (Item 4)

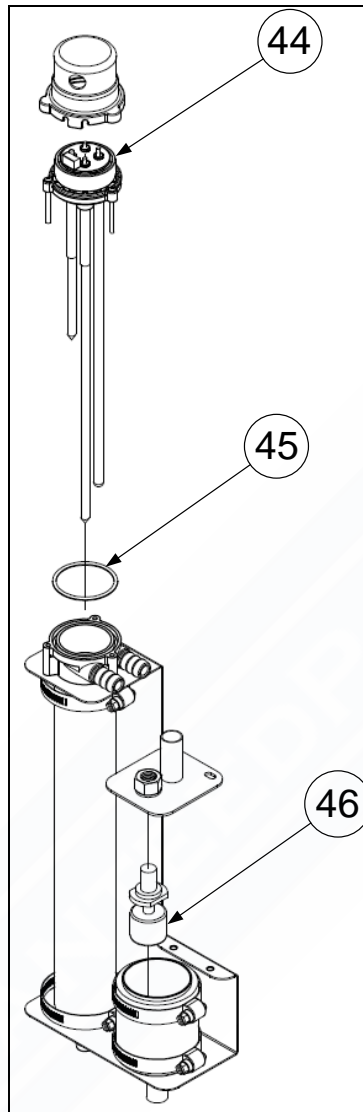


Illustration 58 - Water Level Assembly Exploded View

<i>Item</i>	<i>Description</i>	<i>Model</i>	<i>Part Number</i>
44	Water level sensor head assembly	All models	SWSK4WLTR2-HEAD
45	Water level sensor gasket	All models	SP4235-14
46	Float switch	All models	SP3600