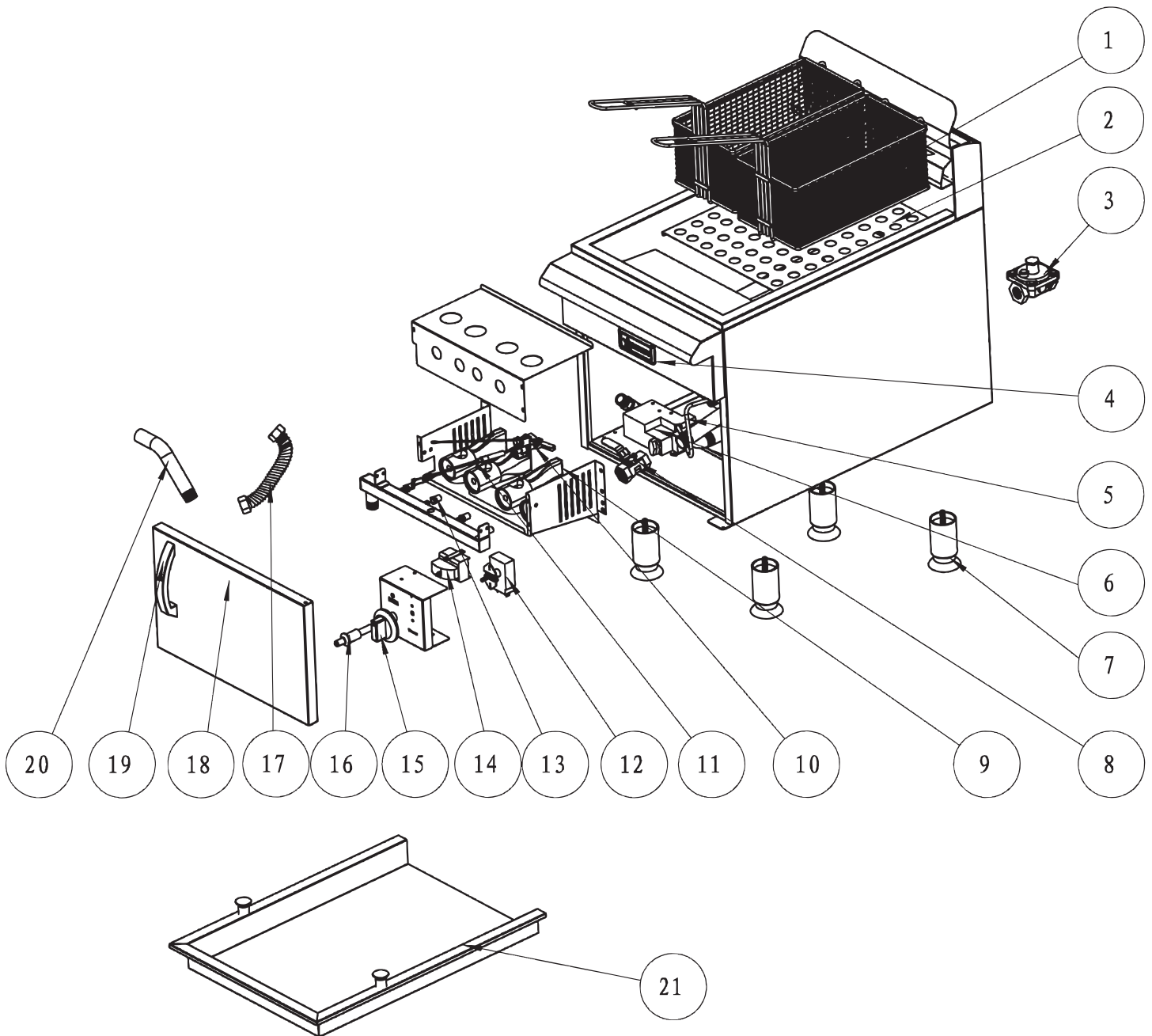


Parts Breakdown

- Item 43086
- Item 43087
- Item 43088
- Item 43089



Parts Breakdown

Item 43086

Item 43087

Item No.	Description	Position	Item No.	Description	Position	Item No.	Description	Position
77941	Fryer Basket for UR-CF15T-NG	1	77951	Valve, Oil Drain for UR-CF15T-NG	8	77960	Knob for UR-CF15T-NG	15
77942	Filter Panel for UR-CF15T-NG	2	77952	Burner for UR-CF15T-NG	9	77961	Piezo Igniter for UR-CF15T-NG	16
77944	Regulator for UR-CF15T-NG	3	77954	Flame Device System for UR-CF15T-NG	10	77962	Bellows for UR-CF15T-NG	17
79005	Regulator for UR-CF15-LP	3	77955	Thermopile for UR-CF15T-NG	11	77963	Door for UR-CF15T-NG	18
77945	Brand for UR-CF15T-NG	4	77956	Gas Thermostat for UR-CF15T-NG	12	77965	Door Handle for UR-CF15T-NG	19
77946	Pilot Pipe Assy. for UR-CF15T-NG	5	77958	Orifice for UR-CF15T-NG	13	77966	Oil Drain Tube for UR-CF15T-NG	20
77949	Gas Safety Control Valve for UR-CF15T-NG	6	79006	Orifice for UR-CF15-LP	13	77967	Cover (Optional Accessories) for UR-CF15T-NG	21
72410	Foot for UR-CF15T-NG	7	77959	LC Series Limit Control for UR-CF15T-NG	14			

Item 43088

Item 43089

Item No.	Description	Position	Item No.	Description	Position	Item No.	Description	Position
77941	Fryer Basket for UR-CF30T-NG	1	77951	Valve, Oil Drain for UR-CF30T-NG	8	77960	Knob for UR-CF30T-NG	15
77943	Filter Panel for UR-CF30T-NG	2	77952	Burner for UR-CF30T-NG	9	77961	Piezo Igniter for UR-CF30T-NG	16
77944	Regulator for UR-CF30T-NG	3	77954	Flame Device System for UR-CF30T-NG	10	77962	Bellows for UR-CF30T-NG	17
79007	Regulator for UR-CF30-LP	3	77955	Thermopile for UR-CF30T-NG	11	77964	Door for UR-CF30T-NG	18
77945	Brand for UR-CF30T-NG	4	77956	Gas Thermostat for UR-CF30T-NG	12	77965	Door Handle for UR-CF30T-NG	19
77947	Pilot Pipe Assy. for UR-CF30T-NG	5	77958	Orifice for UR-CF30T-NG	13	77966	Oil Drain Tube for UR-CF30T-NG	20
77949	Gas Safety Control Valve for UR-CF30T-NG	6	79008	Orifice for UR-CF30-LP	13	77968	Cover (Optional Accessories) for UR-CF30T-NG	21
72410	Foot for UR-CF30T-NG	7	77959	LC Series Limit Control for UR-CF30T-NG	14			