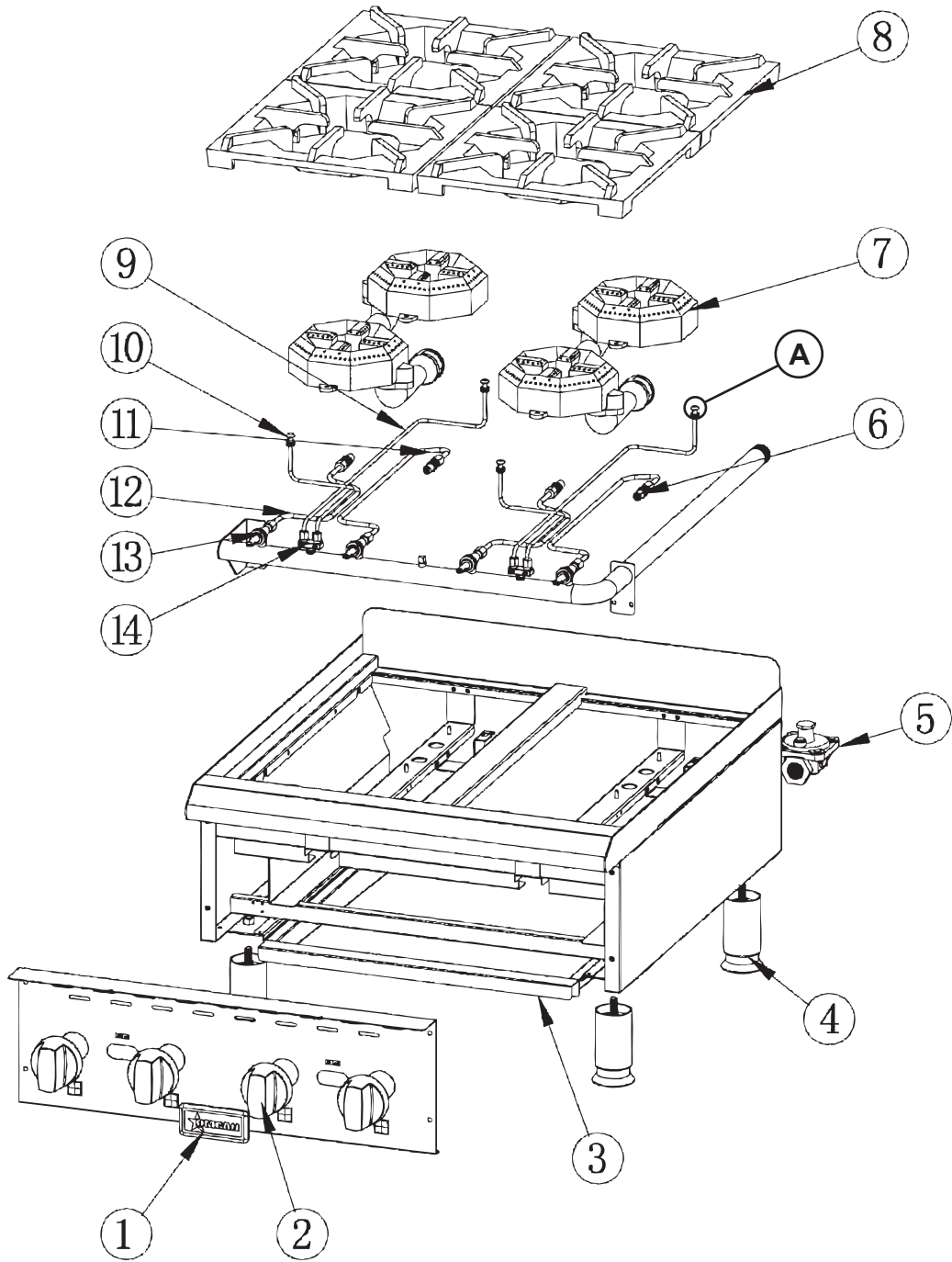


Parts Breakdown

Model CE-CN-HP212M 43733

Model CE-CN-HP424M 43734

Model CE-CN-HP636M 43735

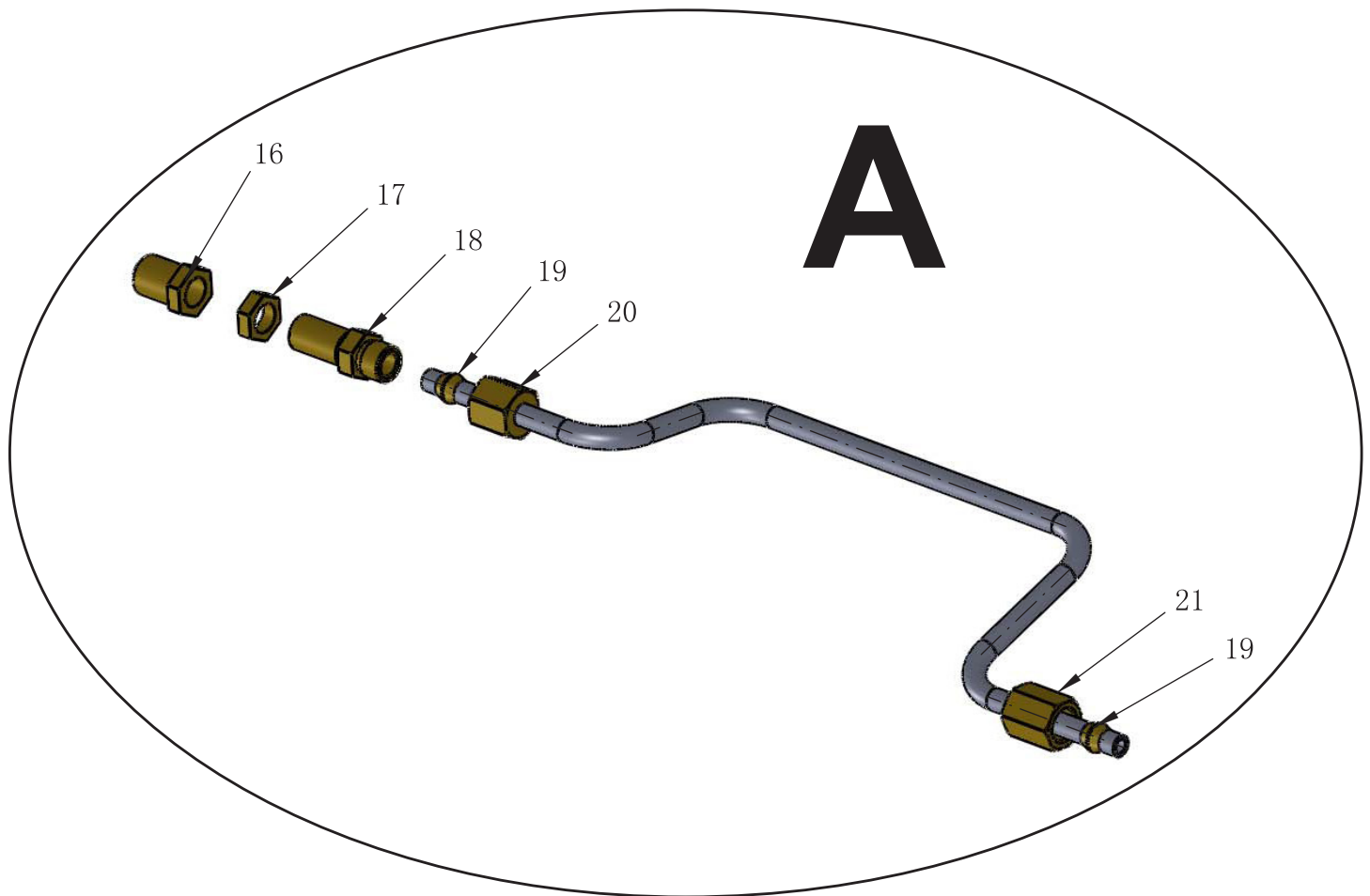


Parts Breakdown

Model CE-CN-HP212M 43733

Model CE-CN-HP424M 43734

Model CE-CN-HP636M 43735





Parts Breakdown

Model CE-CN-HP212M 43733

Item No.	Description	Position	Item No.	Description	Position	Item No.	Description	Position
43313	Name Badge for Omcan for 43733	1	73107	Trivet for 43733	8	42961	Conversion Kits for 43733	15
43489	Red Dial for Manual Control Gas Equipment for 43733	2	73108	Back Pipe of Pilot Assembly for 43733	9	73105	Orifice 46 # NAT for 43733	16
73100	Tray for 43733	3	73109	Front Pipe of Pilot Assembly for 43733	10	63528	Nut for Pilot Tube for 43733	17
72410	Foot for 43733	4	73110	Main Gas Pipe Front for 43733	11	63529	Gas Pipe Connector for Pilot Tube for 43733	18
72407	Regulator for 43733	5	73111	Main Gas Pipe Rear for 43733	12	63530	Sleeve 6 Dia for Pilot Tube for 43733	19
73105	Orifice 46 # NAT for 43733	6	73090	Valve for 43733	13	63531	3/8 Burner Pipe Tie-In Nut for Pilot Tube for 43733	20
73106	Burner for 43733	7	73113	Pilot Valve for 43733	14	63532	3/8 Valve Tie-In Nut for Pilot Tube for 43733	21

Model CE-CN-HP424M 43734

Item No.	Description	Position	Item No.	Description	Position	Item No.	Description	Position
43313	Name Badge for Omcan for 43734	1	73107	Trivet for 43734	8	42962	Conversion Kits for 43734	15
43489	Red Dial for Manual Control Gas Equipment for 43734	2	73108	Back Pipe of Pilot Assembly for 43734	9	73105	Orifice 46 # NAT for 43734	16
72424	Tray for 43734	3	73109	Front Pipe of Pilot Assembly for 43734	10	63528	Nut for Pilot Tube for 43734	17
72410	Foot for 43734	4	73110	Main Gas Pipe Front for 43734	11	63529	Gas Pipe Connector for Pilot Tube for 43734	18
72407	Regulator for 43734	5	73111	Main Gas Pipe Rear for 43734	12	63530	Sleeve 6 Dia for Pilot Tube for 43734	19
73105	Orifice 46 # NAT for 43734	6	73090	Valve for 43734	13	63531	3/8 Burner Pipe Tie-In Nut for Pilot Tube for 43734	20
73106	Burner for 43734	7	73113	Pilot Valve for 43734	14	63532	3/8 Valve Tie-In Nut for Pilot Tube for 43734	21

Model CE-CN-HP636M 43735

Item No.	Description	Position	Item No.	Description	Position	Item No.	Description	Position
43313	Name Badge for Omcan for 43735	1	73107	Trivet for 43735	8	42963	Conversion Kits for 43735	15
43489	Red Dial for Manual Control Gas Equipment for 43735	2	73108	Back Pipe of Pilot Assembly for 43735	9	73105	Orifice 46 # NAT for 43735	16
72425	Tray for 43735	3	73109	Front Pipe of Pilot Assembly for 43735	10	63528	Nut for Pilot Tube for 43735	17
72410	Foot for 43735	4	73110	Main Gas Pipe Front for 43735	11	63529	Gas Pipe Connector for Pilot Tube for 43735	18
72407	Regulator for 43735	5	73111	Main Gas Pipe Rear for 43735	12	63530	Sleeve 6 Dia for Pilot Tube for 43735	19
73105	Orifice 46 # NAT for 43735	6	73090	Valve for 43735	13	63531	3/8 Burner Pipe Tie-In Nut for Pilot Tube for 43735	20
73106	Burner for 43735	7	73113	Pilot Valve for 43735	14	63532	3/8 Valve Tie-In Nut for Pilot Tube for 43735	21