

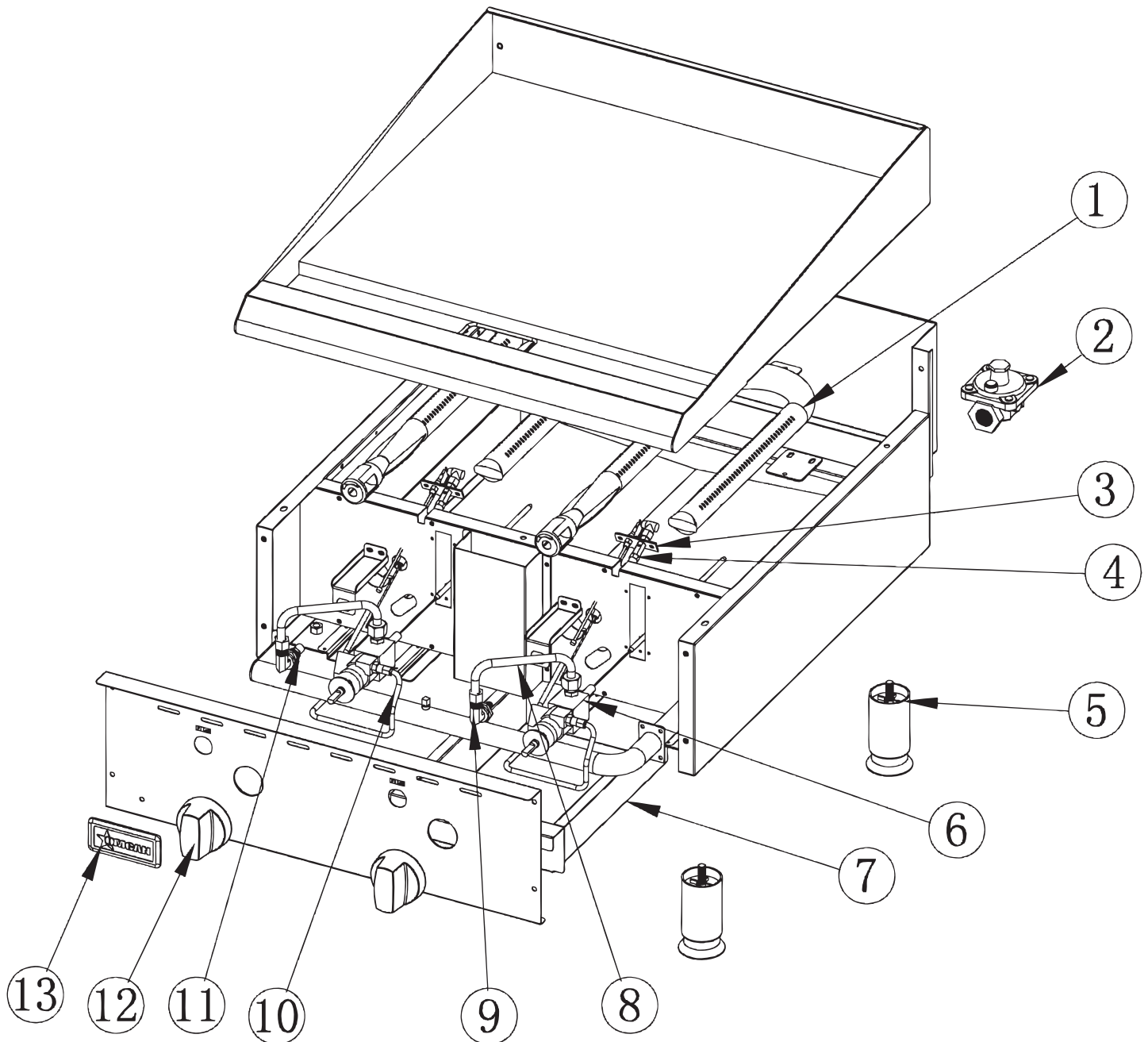
Parts Breakdown

Model CE-CN-G15TPF 43016

Model CE-CN-G24TPF 43017

Model CE-CN-G36TPF 43018

Model CE-CN-G48TPF 43019



Parts Breakdown

Model CE-CN-G15TPF 43016

Item No.	Description	Position	Item No.	Description	Position	Item No.	Description	Position
73092	Burner for 43016	1	72411	Thermostat Valve for 43016	6	72416	Orifice 41 # NAT for 43016	11
72407	Regulator for 43016	2	72412	Tray for 43016	7	43315	Red Dial for Thermostat Control for 43016	12
72408	Flame Device System (Exclude Injector) for 43016	3	72413	Main Pipe Assy. for 43016	8	43313	Name Badge for Omcan for 43016	13
72409	ODS Injector-0.45 NAT for 43016	4	63534	Orifice Connection (Front) for 43016	9	43305	Conversion Kits for 43016	14
72410	Foot for 43016	5	72415	Pilot Pipe Assy. for 43016	10			

Model CE-CN-G24TPF 43017

Item No.	Description	Position	Item No.	Description	Position	Item No.	Description	Position
73092	Burner for 43017	1	72411	Thermostat Valve for 43017	6	72416	Orifice 41 # NAT for 43017	11
72407	Regulator for 43017	2	72412	Tray for 43017	7	43315	Red Dial for Thermostat Control for 43017	12
72408	Flame Device System (Exclude Injector) for 43017	3	72413	Main Pipe Assy. for 43017	8	43313	Name Badge for Omcan for 43017	13
72409	ODS Injector-0.45 NAT for 43017	4	63534	Orifice Connection (Front) for 43017	9	43306	Conversion Kits for 43017	14
72410	Foot for 43017	5	72415	Pilot Pipe Assy. for 43017	10			

Model CE-CN-G36TPF 43018

Item No.	Description	Position	Item No.	Description	Position	Item No.	Description	Position
73092	Burner for 43018	1	72411	Thermostat Valve for 43018	6	72416	Orifice 41 # NAT for 43018	11
72407	Regulator for 43018	2	72412	Tray for 43018	7	43315	Red Dial for Thermostat Control for 43018	12
72408	Flame Device System (Exclude Injector) for 43018	3	72413	Main Pipe Assy. for 43018	8	43313	Name Badge for Omcan for 43018	13
72409	ODS Injector-0.45 NAT for 43018	4	63534	Orifice Connection (Front) for 43018	9	43307	Conversion Kits for 43018	14
72410	Foot for 43018	5	72415	Pilot Pipe Assy. for 43018	10			



Parts Breakdown

Model CE-CN-G48TPF 43019

Item No.	Description	Position	Item No.	Description	Position	Item No.	Description	Position
73092	Burner for 43019	1	72411	Thermostat Valve for 43019	6	72416	Orifice 41 # NAT for 43019	11
72407	Regulator for 43019	2	72412	Tray for 43019	7	43315	Red Dial for Thermostat Control for 43019	12
72408	Flame Device System (Exclude Injector) for 43019	3	72413	Main Pipe Assy. for 43019	8	43313	Name Badge for Omcan for 43019	13
72409	ODS Injector-0.45 NAT for 43019	4	63534	Orifice Connection (Front) for 43019	9	43308	Conversion Kits for 43019	14
72410	Foot for 43019	5	72415	Pilot Pipe Assy. for 43019	10			