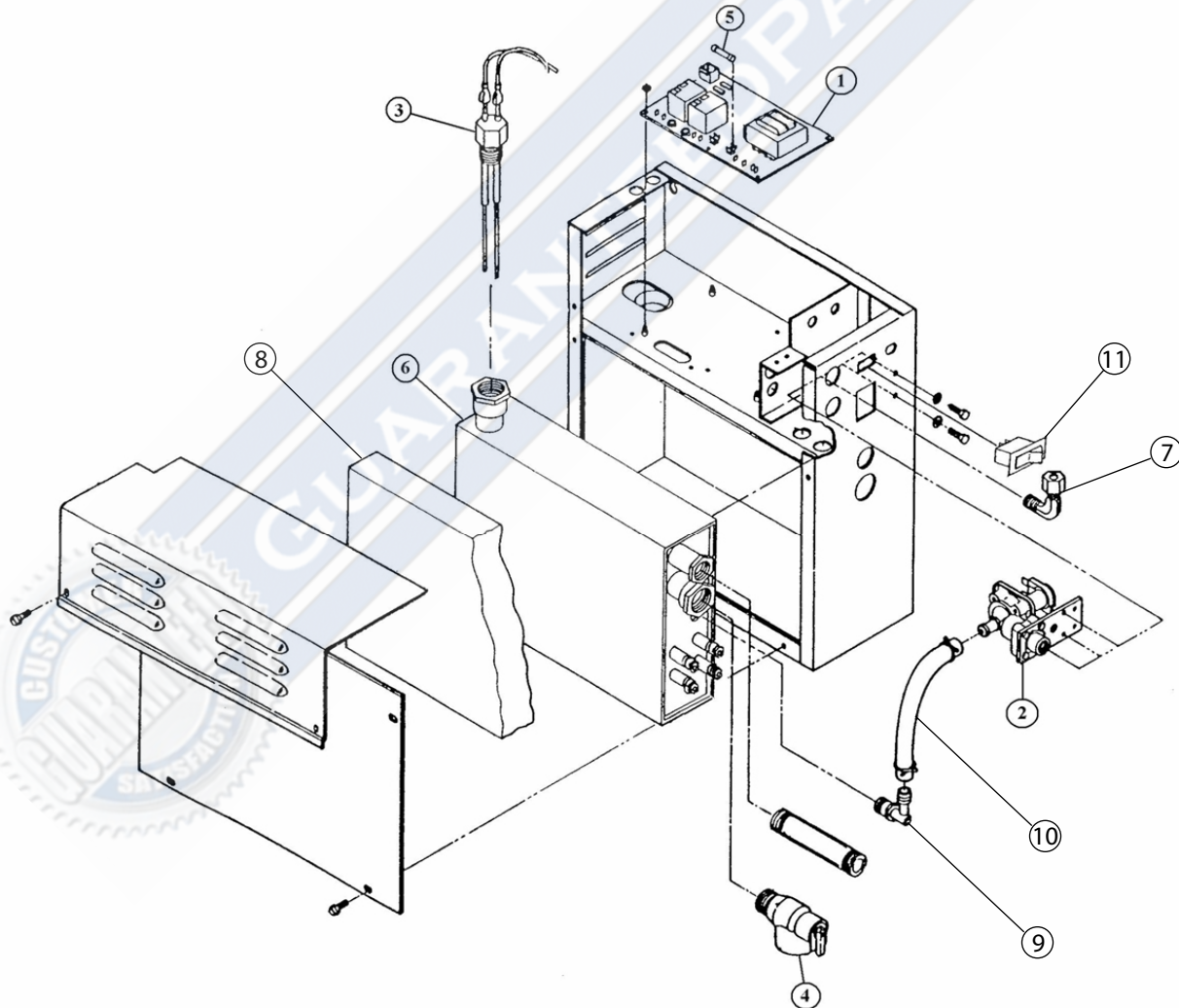


Models: SM-46 & SM-79

<u>Item No.</u>	<u>Part No.</u>	<u>Part Description</u>	
1	007-5380-4K	LLC-1700-4 Printed Circuit Board	
2	007-1298K	Water Solenoid Valve (Kit, includes item #10)	
3	007-1164	Probe Assembly	
4	007-1211	Safety Valve 8lbs.	
5	007-6357	Fuse - 0.15 AMP (Mounted on 1300 PCB)	
	007-3425	Fuse - 0.25 AMP (Mounted on 1700 PCB) Slow Blow 250V	
6	006-2061-4	Tank & Element Assembly - SM-46 240V	No Drain
	006-2060	Tank & Element Assembly - SM-46 208V	No Drain
	006-2061-4A	Tank & Element Assembly - SM-46 240V	W/ Drain
	006-2060A	Tank & Element Assembly - SM-46 208V	W/ Drain
	006-2063-4	Tank & Element Assembly - SM-79 240V	No Drain
	006-2062	Tank & Element Assembly - SM-79 208V	No Drain
	006-2063-4A	Tank & Element Assembly - SM-79 240V	W/ Drain
	006-2063A	Tank & Element Assembly - SM-79 208V	W/ Drain
7	005-2148	Elbow, brass, 3/8C x 3/8mPT	
8	006-6186	Insulation, SM/LT, 6 pc. Set	
9	005-2147	Elbow, plastic, 3/8mPT x 3/8hb	
10	007-1246K-LT	Hose, LT Cabinet 13 inches	
11	007-1329	Switch, rocker, wht	

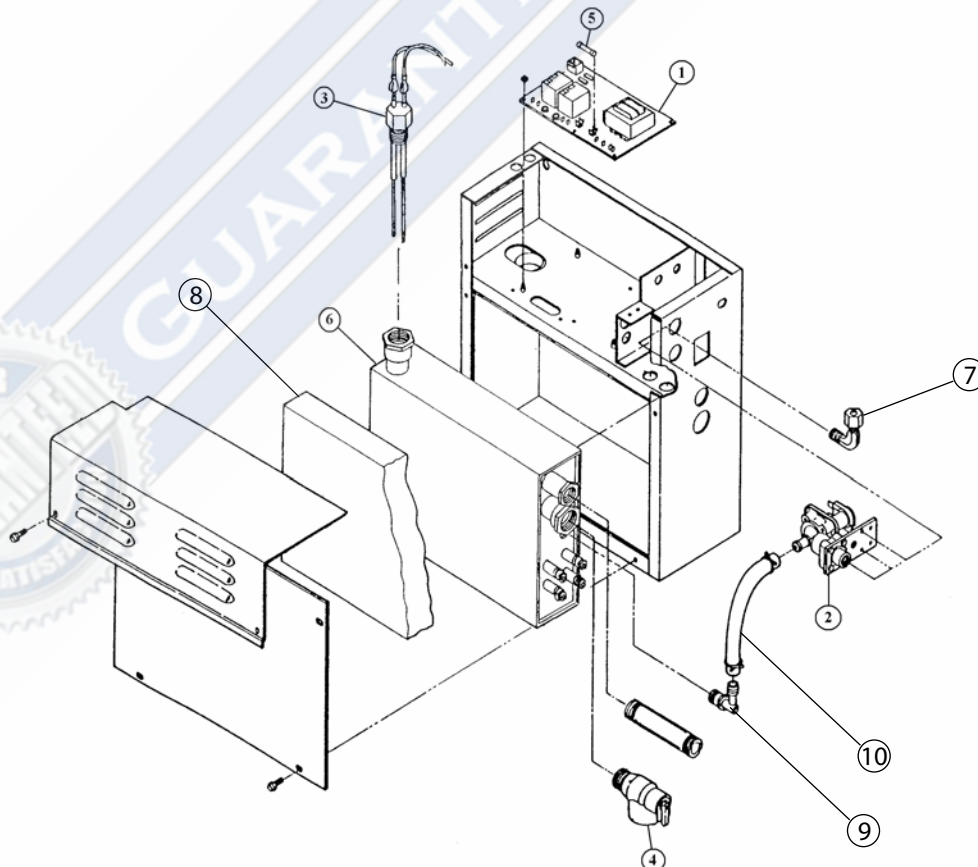
***Prices are subject to change without notice.**



Models: SM-4, SM-5, SM-7 & SM-8

<u>Item No.</u>	<u>Part No.</u>	<u>Part Description</u>	
1	007-5380-4K	LLC-1700-4 Printed Circuit Board	
2	007-1298K	Water Solenoid Valve (Kit, includes item #10)	
3	007-1164K	Probe Assembly	
4	007-1211	Safety Valve 8lbs.	
5	007-6357	Fuse - 0.15 AMP (Mounted on 1300 PCB)	
	007-3425	Fuse - 0.25 AMP (Mounted on 1700 PCB) Slow Blow 250V	
6	006-2000/2A	Tank & Element Assembly - SM-4 240V	No Drain
	006-2000/1A	Tank & Element Assembly - SM-4 208V	No Drain
	006-2000/2B	Tank & Element Assembly - SM-4 240V	W/ Drain
	006-2000/1B	Tank & Element Assembly - SM-4 208V	W/ Drain
	006-2010/2A	Tank & Element Assembly - SM-5 240V	No Drain
	006-2010/1A	Tank & Element Assembly - SM-5 208V	No Drain
	006-2010/2B	Tank & Element Assembly - SM-5 240V	W/ Drain
	006-2010/1B	Tank & Element Assembly - SM-5 208V	W/ Drain
	006-2030/2	Tank & Element Assembly - SM-7 240V	No Drain
	006-2030/1	Tank & Element Assembly - SM-7 208V	No Drain
	006-2030/2B	Tank & Element Assembly - SM-7 240V	W/ Drain
	006-2030/1B	Tank & Element Assembly - SM-7 208V	W/ Drain
7	006-2045/2	Tank & Element Assembly - SM-8 240V	No Drain
	006-2045/1	Tank & Element Assembly - SM-8 208V	No Drain
	006-2045/2A	Tank & Element Assembly - SM-8 240V	W/ Drain
	006-2045/1A	Tank & Element Assembly - SM-8 208V	W/ Drain
	8	005-2148	Elbow, brass, 3/8C x 3/8mPT
9	006-6186	Insulation, SM/LT, 6 pc. Set	
10	005-2147	Elbow, plastic, 3/8mPT x 3/8hb	
10	007-1246K-LT	Hose, LT Cabinet 13 inches	

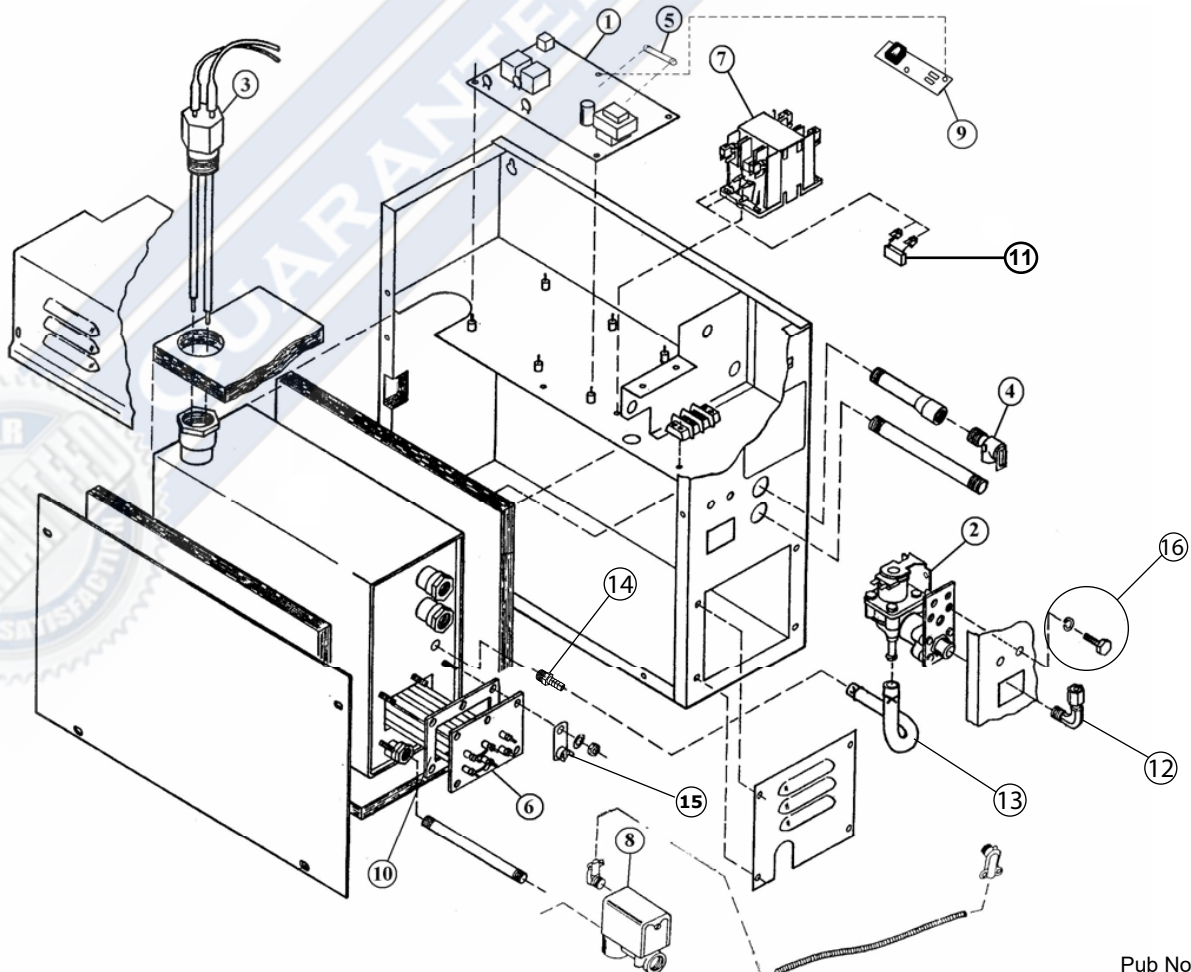
***Prices are subject to change without notice.**



Models: SM-11 & System-18 (Primary/Secondary)
With Serial Numbers 44xxxxx, MRxxxxx, 47xxxxx

<u>Item No.</u>	<u>Part No.</u>	<u>Part Description</u>
1	007-5380-4K	LLC-1700-4 Printed Circuit Board
2	007-1298K	Water Solenoid Valve (Kit, includes item #13)
3	007-5369K	Probe Assembly
4	007-1211	Safety Valve 8lbs.
5	007-6357	Fuse - 0.15 AMP (Mounted on 1300 PCB)
	007-3425	Fuse - 0.25 AMP (Mounted on 1700 PCB) Slow Blow 250V
6	006-5120-15	SM-11 Heating Element - 11kW 240V/1PH
	006-5120-11	SM-11 Heating Element - 11kW 208V/1PH
	006-5120-16	SM-11 Heating Element - 11kW 240V/3PH
	006-5120-12	SM-11 Heating Element - 11kW 208V/3PH
	006-5120-05	SYS-18 Heating Element - 9kW 240V/1PH
	006-5120-01	SYS-18 Heating Element - 9kW 208V/1PH
	006-5120-06	SYS-18 Heating Element - 9kW 240V/3PH
	006-5120-02	SYS-18 Heating Element - 9kW 208V/3PH
7	007-1307	2-Pole 40/50 AMP (SM-11 208V/1PH)
	007-1301	3-Pole 40/50 AMP (SM-11 3PH)
8	007-1197	Auto-Drain - 240V
	007-1185	Auto-Drain - 208V
9	007-5294	Interface Printed Circuit Board (SYS-slave)
10	006-9102	Heating Element Gasket
11	007-6420	Snubber
	006-6088	Telco Splitter 6 Cond. (Supplied with Systems)
	5158	35' Multi-Conductor Cable (Supplied with Systems)
12	005-2148	Elbow, brass, 3/8C x 3/8mPT
13	007-1246K-LT	Hose, LT Cabinet 13 inches
14	005-2162	Adapter, Plastic 3/8hbX3/8mPT
15	007-4173	Drain Down Thermostat
16	004-2289	Screw, #14x1/2 SltHxWsHd A SMS

***Prices are subject to change without notice.**



Models: SM-12 & SM-15 (System-24 & System-30)

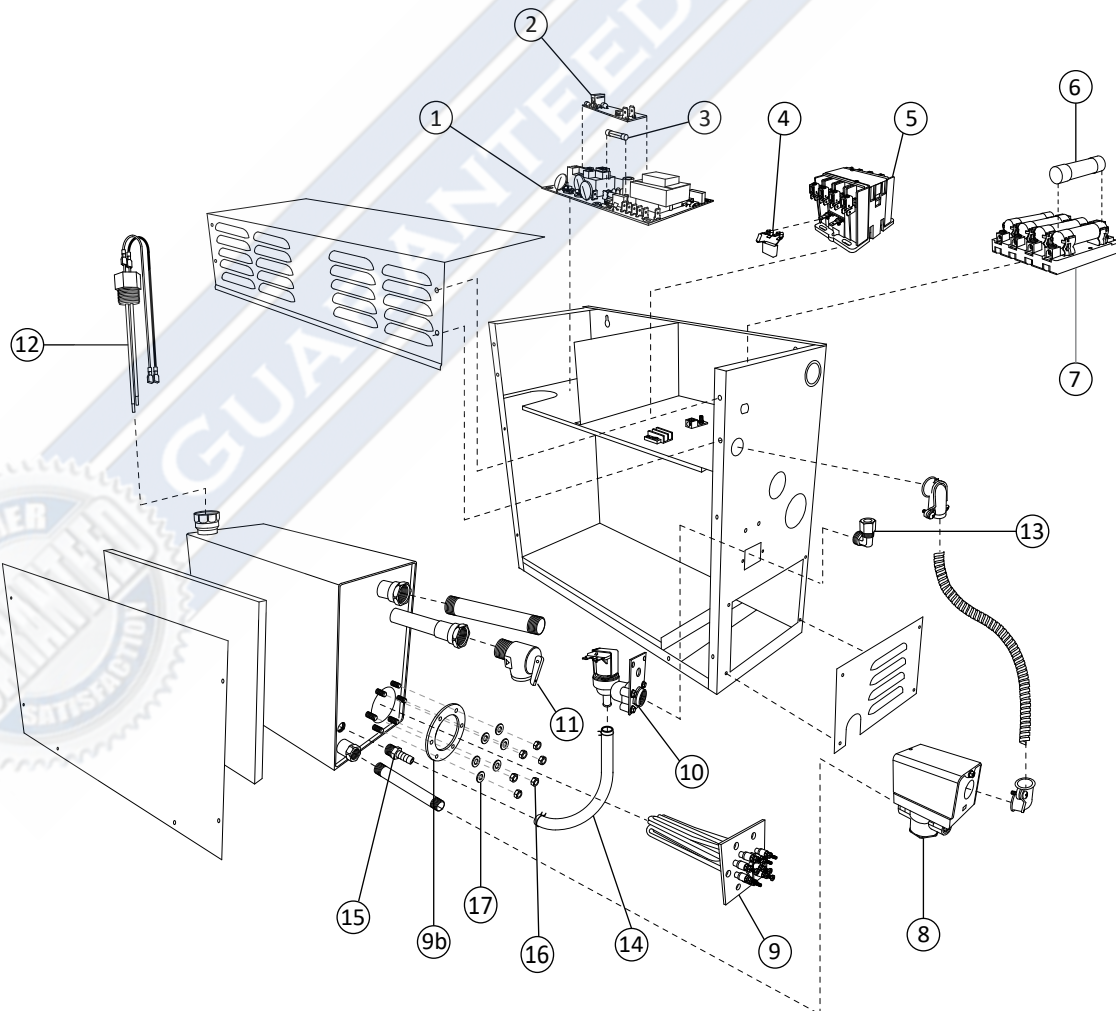
2021

With Serial Numbers 55xxxxx, LRxxxxx, 57xxxxx

Item No.	Part No.	Part Description
1	007-5380-4K	LLC-1700-4 Printed Circuit Board (Will not work in a "Master" generator for System-24 & 30)
2	007-5294	Interface Printed Circuit Board (System-Secondary)
3	007-6357	Fuse - 0.15 Amp (Mounted on 1300 PCB)
4	007-3425	Fuse - 0.25 AMP (Mounted on 1700 PCB) Slow Blow 250V
5	007-6420	Snubber
6	007-1310	4-Pole 40/50 Amp contactor (SM-12&15 1PH)
7	007-1301	3-Pole 40/50 Amp contactor (SM-12&15 3PH)
8	007-1271	Fuse, 40 Amp, 250V, Class H or K5 (SM-12)
9	007-1012	Fuse, 50 Amp, 250V, Class H or K5 (SM-15)
10	007-1269	Fuse Block, 4 Fuse 2 Pole, up to 60A
11	007-1197	Auto-Drain 240V
12	007-1185	Auto-Drain 208V
13	006-5106	SM-12 Heating Element 12kW 240V 1PH
14	006-5104	SM-12 Heating Element 12kW 208V 1PH
15	006-5107	SM-12 Heating Element 12kW 240V 3PH
16	006-5105	SM-12 Heating Element 12kW 208V 3PH
17	006-5110	SM-15 Heating Element 15kW 240V 1PH
9b	006-5108	SM-15 Heating Element 15kW 208V 1PH
10	006-5111	SM-15 Heating Element 15kW 240V 3PH
11	006-5109	SM-15 Heating Element 15kW 208V 3PH
12	006-6176	Heating Element Gasket
13	007-1298K	Water Solenoid Valve (Kit, includes item #14)
14	007-1211	Safety Relief Valve 8lbs.
15	007-5369K	Probe Assembly
16	006-6088	Telco Splitter 6 Conductor (Supplied with Systems)
17	5158	35' Multi-Conductor Cable (Supplied with Systems)
18	007-4173	Drain Down Thermostat
19	005-2148	Elbow, brass, 3/8C x 3/8mPT
20	007-1246K-LT	Hose, LT Cabinet 13 inches
21	005-2162	Adapter, Plastic 3/8hbX3/8mPT
22	004-1042	Nut, brass, 5/16-18, nickel pl
23	004-1008	Washer, flat, 5/16 plated steel

Note: Replacement Tanks are no longer available.

SM-12, SM-15, System-24, and System-30 Steam Generators

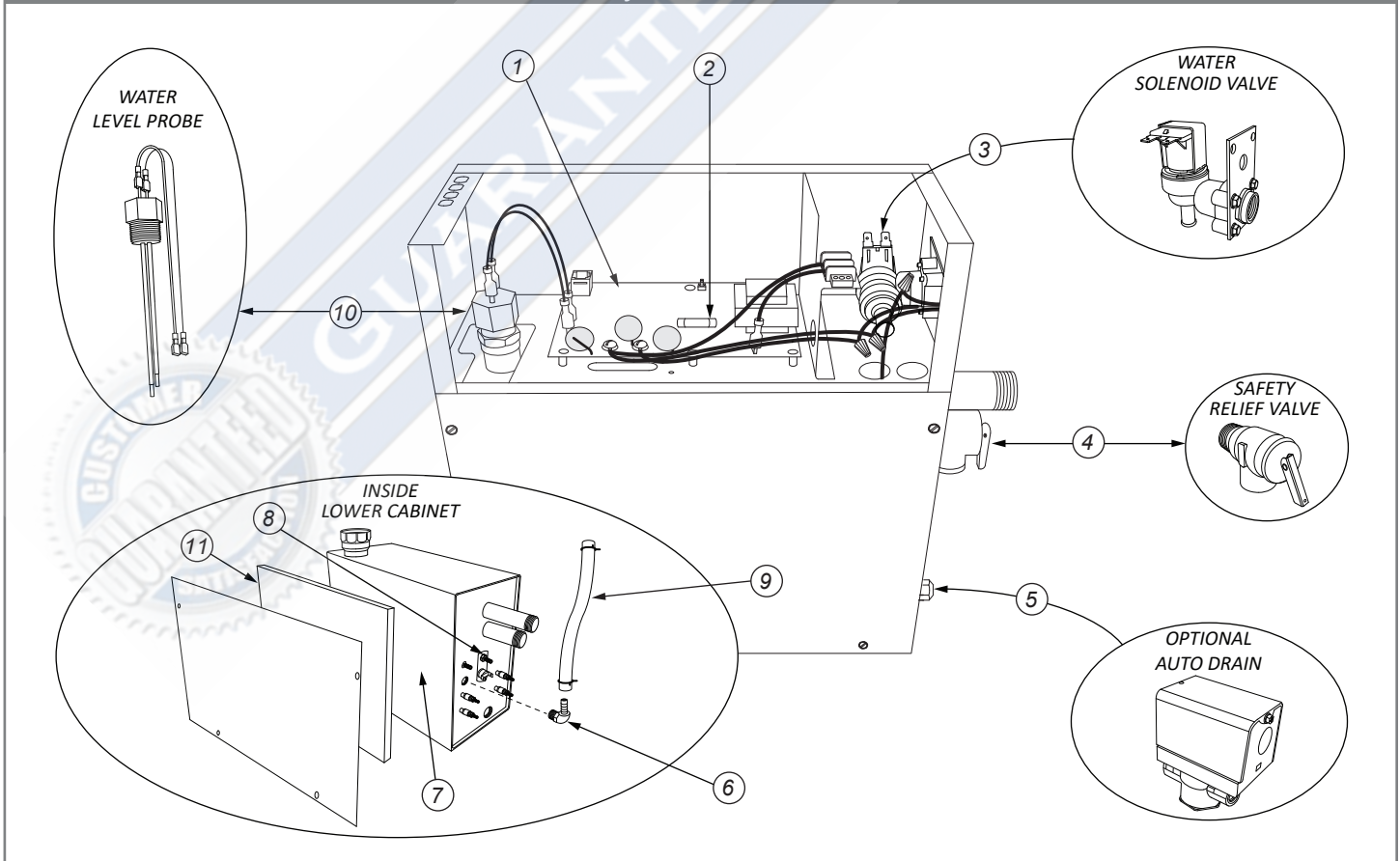


Models: SM-5, SM-7, SM-9, and SM-10 Auto Drain Ready
With Serial Numbers 1,000,000 thru 1,800,000 for all others see Pub.# 608-2

<u>Item No.</u>	<u>Part No.</u>	<u>Description</u>	
1	007-5380-4K	LLC-1700-4 Printed Circuit Board	
2	007-6357	Fuse - 0.15 Amp (Mounted on 1300 PCB)	
	007-3425	Fuse - 0.25 Amp (Mounted on 1700 PCB) Slow Blow 250V	
3	007-1298K	Water Solenoid Valve (Kit, includes item #9)	
4	007-1211	Safety Relief Valve 8lbs.	
5	007-1197	Auto Drain Valve 240V (Optional)	
	007-1185	Auto Drain Valve 208V (Optional)	
6	005-2147	Plastic Elbow	
7	006-2010/2B	Tank & Element Ass. - SM-5 - 5010 (240V/1PH)	Auto Drain Ready
	006-2010/1B	Tank & Element Ass. - SM-5 - 5011 (208V/1PH)	Auto Drain Ready
	006-2030/2B	Tank & Element Ass. - SM-7 - 7010 (240V/1PH)	Auto Drain Ready
	006-2030/1B	Tank & Element Ass. - SM-7 - 7011 (208V/1PH)	Auto Drain Ready
	006-2050/1A	Tank & Element Ass. - SM-9 - 9010 (240V/1PH)	Auto Drain Ready
	006-2050/2A	Tank & Element Ass. - SM-9 - 9011 (208V/1PH)	Auto Drain Ready
	006-2060/1A	Tank & Element Ass - SM-10 - 1010 (240V/1PH)	Auto Drain Ready
	006-2060/2A	Tank & Element Ass - SM-10 - 1010 (208V/1PH)	Auto Drain Ready
8	007-4173	Drain Down Thermostat	
9	007-1246K-LT	Hose 13 inch W/Clamps	
10	007-1164K	Probe Assembly	
11	006-6186	Insulation, SM/LT 6pc	

***Prices are subject to change without notice.**

Models: SM-5, SM-7, SM-9 Auto Drain Ready

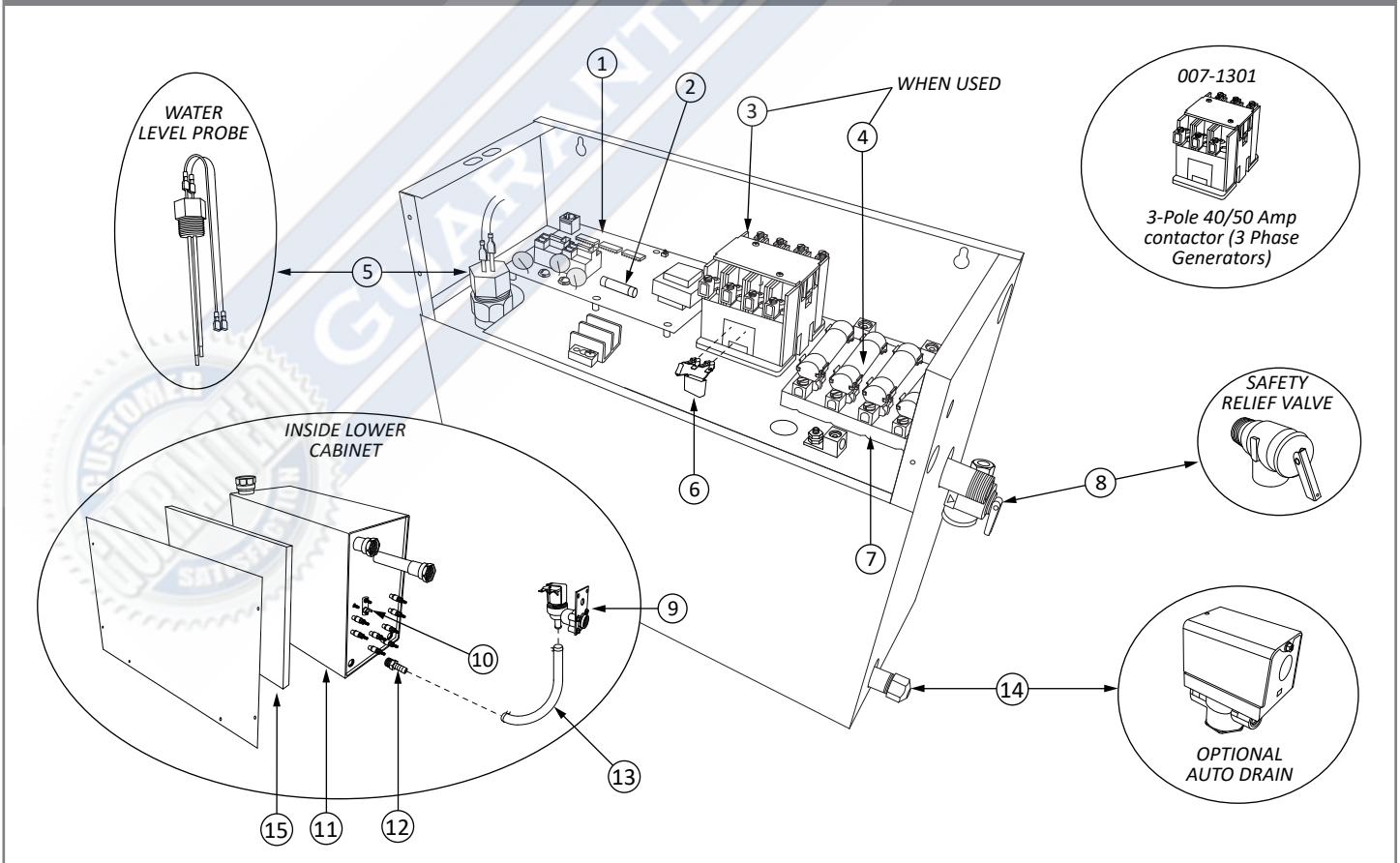


Models: SM-11, SM-12, & SM-15

With Serial Numbers 1,000,000 thru 1,800,000 for all others see Pub.#'s 608-3 & 608-4

Item No.	Part No.	Part Description	
1	007-5380-4K	LLC-1700-4 Printed Circuit Board	
1A	007-5380-6	LLC-1700-6 Printed Circuit Board (for SM-12 & SM-15, with ser# 1,030,000 to 1,800,000)	
2	007-6357	Fuse - 0.15 Amp (Mounted on 1300 PCB)	
	007-3425	Fuse - 0.25 Amp (Mounted on 1700 PCB) Slow Blow 250V	
3	007-1310	4-Pole 40/50 Amp contactor (SM-12&15 1PH)	
	007-1301	3-Pole 40/50 Amp contactor (SM-11, 12&15 3PH)	
4	007-1271	Fuse, 40 Amp, 250V, Class H or K5 (SM-11 208V/1PH) & (SM-12 208-240V/1PH)	
	007-1012	Fuse, 50 Amp, 250V, Class H or K5 (SM-15 208-240V/1PH)	
5	007-1164K	Probe Assembly	
6	007-6420	Contactor Snubber	
7	007-1269	Fuse Block, 4 Fuse 2 Pole, up to 60A	
8	007-1211	Safety Relief Valve 8lbs.	
9	007-1298K	Water Solenoid Valve (Kit, includes item #13)	
10	007-4173	Drain Down Thermostat	
11	006-2074-1	Tank & Elm 11kW 240V 1PH TR	SM-11 - 1100
	006-2074-2	Tank & Elm 11kW 208V 1PH TR	SM-11 - 1101
	006-2074-4	Tank & Elm 11kW 240V 3PH TR	SM-11 - 1102
	006-2074-3	Tank & Elm 11kW 208V 3PH TR	SM-11 - 1103
	006-2070-1	Tank & Elm 12kW 240V 1PH TR	SM-12 - 1200
	006-2070-2	Tank & Elm 12kW 208V 1PH TR	SM-12 - 1201
	006-2070-4	Tank & Elm 12kW 240V 3PH TR	SM-12 - 1202
	006-2070-3	Tank & Elm 12kW 208V 3PH TR	SM-12 - 1203
	006-2072-1	Tank & Elm 15kW 240V 1PH TR	SM-15 - 1500
	006-2072-2	Tank & Elm 15kW 208V 1PH TR	SM-15 - 1501
	006-2072-4	Tank & Elm 15kW 240V 3PH TR	SM-15 - 1502
	006-2072-3	Tank & Elm 15kW 208V 3PH TR	SM-15 - 1503
12	005-2162	Plastic Adapter	
13	007-1246K-TR	Hose 7 inch w/clamps	
14	007-1197	Auto-Drain 240V (Optional)	
	007-1185	Auto-Drain 208V (Optional)	
15	006-6381	Insulation, TR 5pc	

Models: SM-11, SM-12 and SM-15

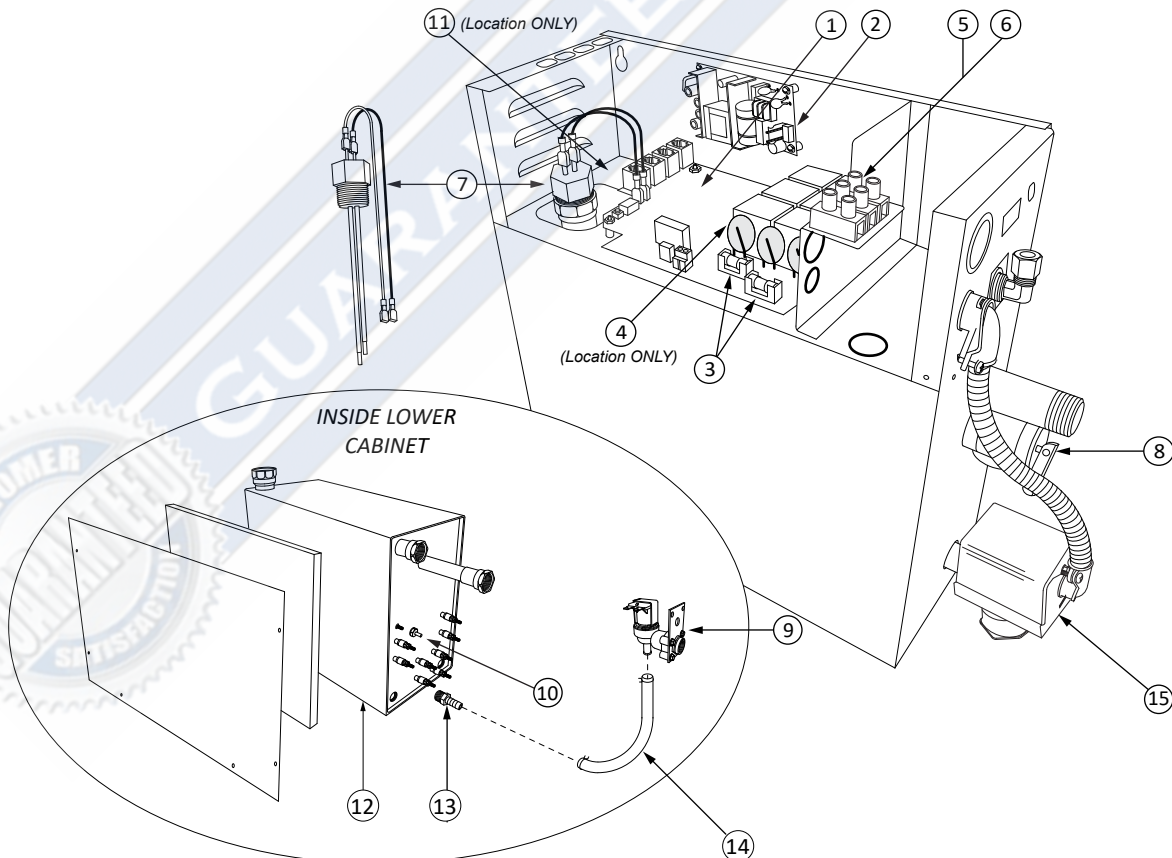


Models: TSG-7 & TSG-10
(for Serial numbers 2,002,000 thru 2,970,000)

<u>Item No.</u>	<u>Part No.</u>	<u>Part Description</u>
1	007-3428	PCB Assembly, Main (replaces older 007-3420 and 007-3409 below)
2	007-3409	15V Power Supply 25W, PCB (older models upto Ser# 2,020,000)
3	007-3414	(.5A)208/240V AC Fuse (For Main PCB)
4	007-3415	(.8A) 15V DC Fuse (For Main PCB)
5	007-1276	Terminal Block 3 Pole, (1 Phase)
6	007-1247-4	Terminal Block 4 Pole, (3 Phase)
7	007-1164	Probe Assembly
8	007-1211	Safety Relief Valve (8lbs)
9	007-1298K	Water Solenoid Valve (Kit, includes item #14)
10	007-3407	Temp Sensor
11	007-3419	Ferrite Core for Sensor Cable
12	006-2066/1	Tank & Elm 7.5kW 240V
	006-2066/2	Tank & Elm 7.5kW 208V
	006-2067/1	Tank & Elm 10kW 240V
	006-2067/2	Tank & Elm 10kW 208V
13	005-2147	Plastic Adapter
14	007-1246K-LT	Hose 13 inch w/clamps
15	007-3408	Optional Auto-Drain 240V
	007-3413	Optional Auto-Drain 208V
	006-6186	Insulation, SM/LT 6pc

***Prices are subject to change without notice.**

Model: TSG-7 & TSG-10

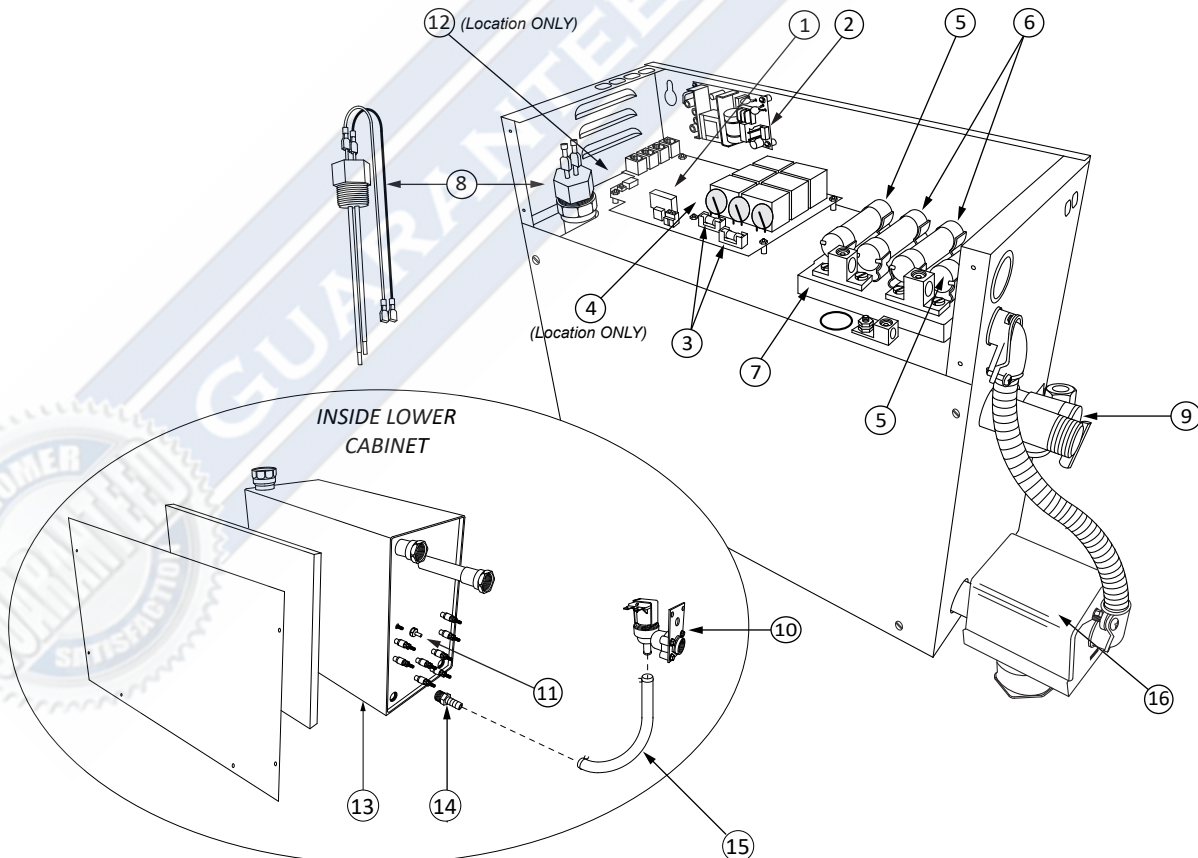


Models: TSG-12 & TSG-15 (with serial number 2,002,000 thru 2,970,000)

<u>Item No.</u>	<u>Part No.</u>	<u>Part Description</u>
1	007-3428	PCB Assembly, Main (replaces older 007-3420 and 007-3409 below)
2	007-3409	15V Power Supply 25W, PCB (for older models upto Ser# 2,020,000)
3	007-3414	(.5A)208/240V AC Fuse (For Main PCB)
4	007-3415	(.8A) 15V DC Fuse (For Main PCB)
5	007-1277	35A,250V,CLASS H OR 5K Fuse (TSG-12 208/240V 1ph, 240V 3ph & TSG-15 208/240V 1ph)
6	007-1271	40A,250V,CLASS H OR 5K Fuse (TSG-12 208/240V 1ph, 240V 3ph)
	007-1009	60A,250V,CLASS H OR K5 Fuse (TSG-15, 208/240V 1ph)
7	007-1269	Fuse Block, 4Fuse 2Pole 60A (TSG-15, 208/240V 1ph)
	007-1038	Terminal Block, 3 pos, 150 amp (TSG-12/15, 3 phase ONLY)
8	007-5369K	Probe Assembly
9	007-1211	Safety Relief Valve (8lbs)
10	007-1298K	Water Solenoid Valve (Kit, includes item #15)
11	007-3407	Temp Sensor, RTD, 400C FOR TANK
12	007-3419	Ferrite Core for Sensor Cable
13	006-2079-1	Tank & Elm 12kW 240V
	006-2079-2	Tank & Elm 12kW 208V
	006-2080-1	Tank & Elm 15kW 240V
	006-2080-2	Tank & Elm 15kW 208V
14	005-2162	Plastic Adapter
15	007-1246K-TR	Hose 7 inch w/clamps
16	007-3408	Optional Auto-Drain 240V
	007-3413	Optional Auto-Drain 208V
	006-6381	Insulation, TR 5pc

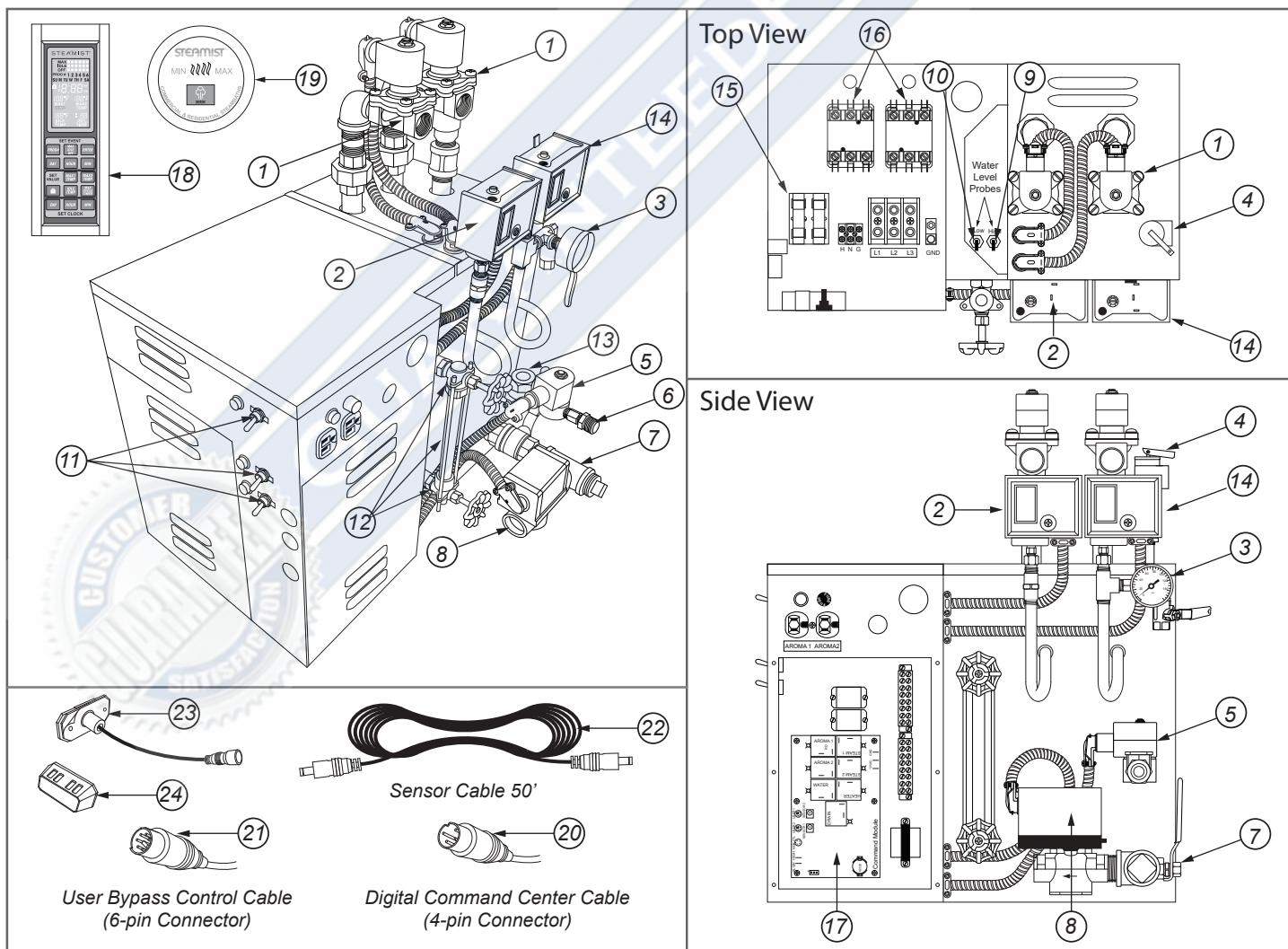
***Prices are subject to change without notice.**

Model: TSG-12 & TSG-15



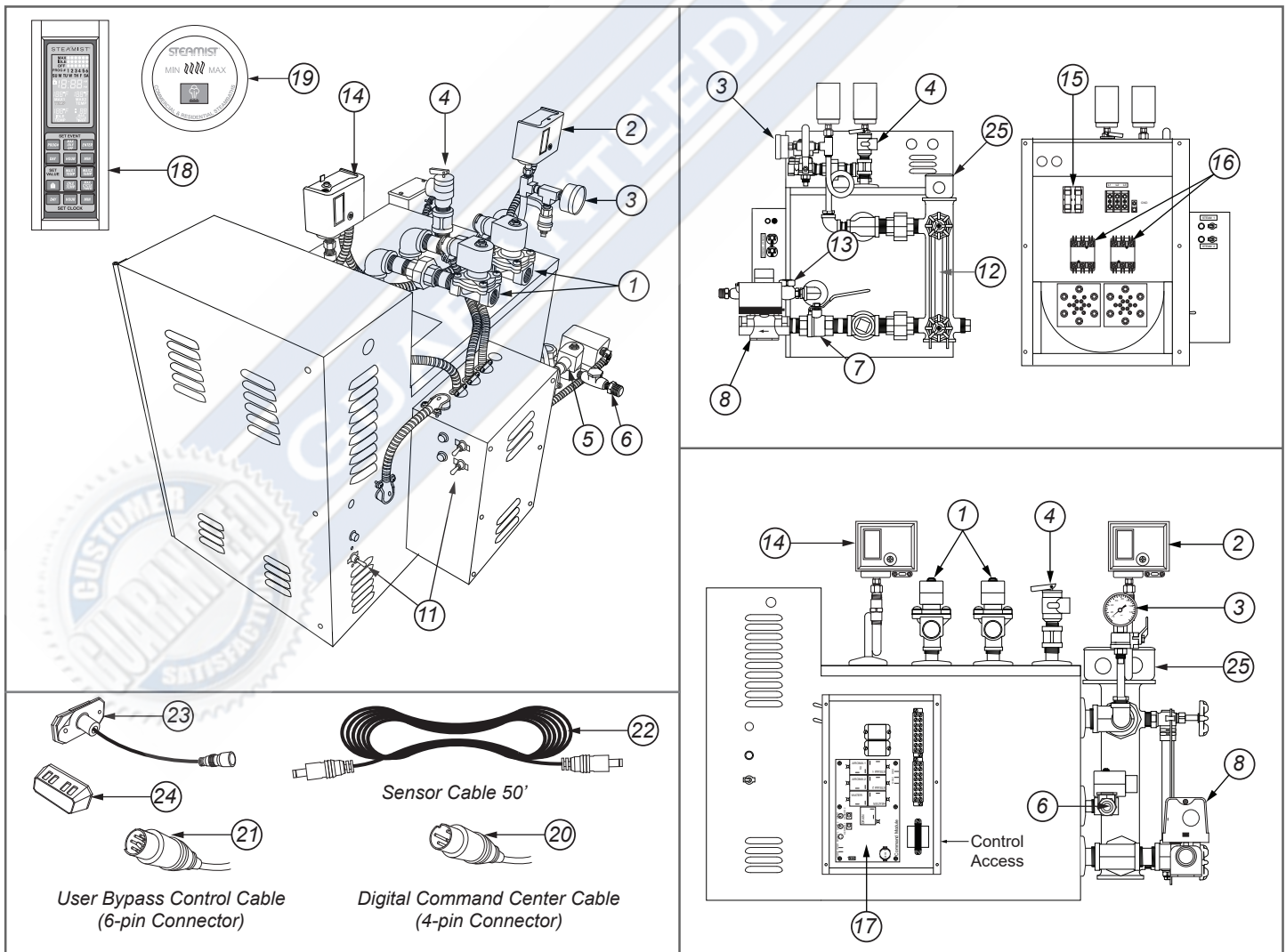
For models with serials #'s E-40000 and above

Item No.	Part No.	Part Description	*List Price	Item No.	Part No.	Part Description
1	007-1262	Steam Solenoid Valve 3/4" 208/240V	\$346.00	13	007-1192	Check Valve - 1/4" Spring
	007-4116-50	Repair Kit - Steam Solenoid	\$153.00	14	007-7008K	HC-PCMR Aux Press. Control with Manual Reset
2	007-7007K	Pressure Switch 0-15 psi	\$230.00		007-1282	Transformer, Multitap (480V)
3	007-1237	Pressure Gauge 0-30 lbs.	\$26.00	15	007-1280	Fuse, 1 AMP
4	007-1215	Safety Relief Valve 15 psi	\$40.00		007-1035	Fuse, 1 AMP (For 7 Gallon 480V Gens)
5	007-1116	Water Solenoid Valve 1/4" 208/240V	\$190.00	16	007-1301	Contactors, 3pl, 40/50 AMP, 208-240V
6	005-2122K	Strainer 1/4"	\$6.00		007-1310	Contactors, 4pl, 40/50 AMP, 208-240V
7	007-1226-1	Drain Valve - Manual 1"	\$54.00		007-1307	Contactors, 2pl, 40/50 AMP, 208-240V
8	007-1161	Drain Valve - Motorized 1" (ABD - 240/480V)	\$367.00	17	007-1430	DCCP Control PCB
	007-1186	Drain Valve - Motorized 1" (ABD - 208V)	\$367.00	18	007-1431	DCCP Manager Center
9	006-6357	Probe 8-1/4" Long	\$53.00	19	007-1432	DCCP User Control
10	006-6364	Probe 9-1/4" Long	\$53.00	20	007-1434	Cable 50' DCCP MGR Ctr (M to M)
11	007-1094	ON/OFF Switch - Steam 1, Steam 2, Power (DPST)	\$12.00	21	007-1435	Cable, 50' DCCP User Ctrl (M to M)
12	007-1290W7	Water Gauge Fixture Assembly (Includes all hardware w/glass tube)	\$147.00	22	007-1436	Cable, 50' DCCP Sensor (M to M)
	007-4117W	7" Glass Ga 5/8" x 7" w/hdw	\$56.00	23	007-1403	DCCP Sensor
	007-1098	12V Transformer	\$51.00	24	006-3190	Sensor Cover
					007-1404	50' DCCP MGR Extension (M to F)
					007-1405	50' DCCP User Extension (M to F)
					007-1406	50' Sensor Extension (M to F)
					007-1438	Cable, 100' DCCP User Control
					007-1439	Cable, 100' DCCP Sensor



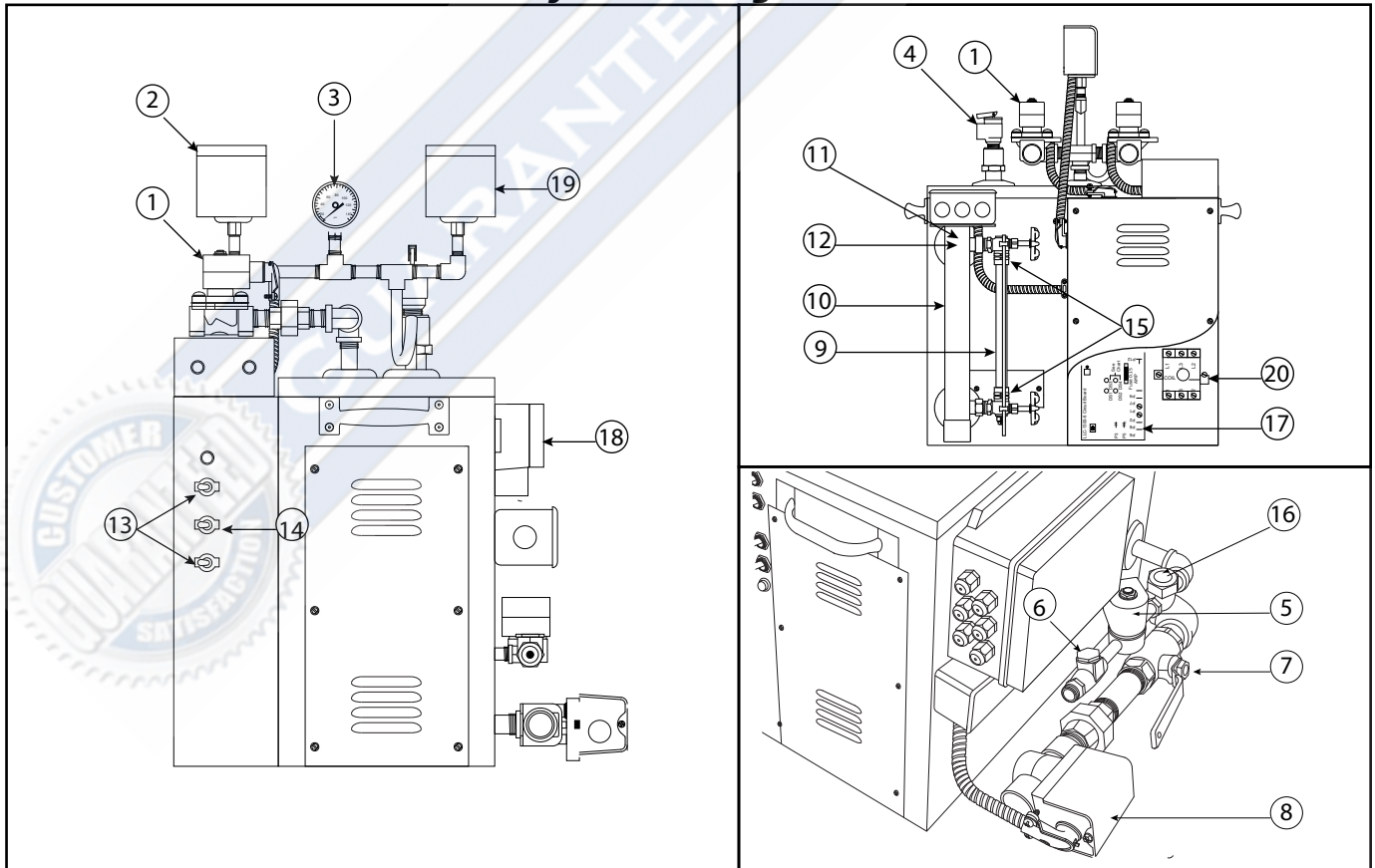
For models with serials #'s E-40000 and above

Item No.	Part No.	Part Description	*List Price	Item No.	Part No.	Part Description
1	007-1262	Steam Solenoid Valve 3/4" 208/240V	\$346.00	13	007-1192	Check Valve - 1/4" Spring
	007-4116-50	Repair Kit - Steam Solenoid	\$153.00	14	007-7008K	HC-PCMR Aux Press. Control with Manual Reset
2	007-7007K	Pressure Switch 0-15 psi	\$230.00		007-1282	Transformer, Multitap (480V)
3	007-1237	Pressure Gauge 0-30 lbs.	\$26.00	15	007-1280	Fuse, 1 AMP
4	007-1215	Safety Relief Valve 15 psi	\$40.00		007-1035	Fuse, 1 AMP (For 7 Gallon 480V Gens)
5	007-1116	Water Solenoid Valve 1/4" 208/240V	\$190.00	16	007-1301	Contact, 3pl, 40/50 AMP, 208-240V
6	005-2122K	Adapter with Strainer 1/4"	\$6.00		007-1310	Contact, 4pl, 40/50 AMP, 208-240V
7	007-1226-1	Drain Valve - Manual 1"	\$54.00	17	007-1430	DCCP Control PCB
8	007-1161	Drain Valve - Motorized 1" (ABD - 240/480V)	\$367.00	18	007-1431	DCCP Manager Center
	007-1186	Drain Valve - Motorized 1" (ABD - 208V)	\$367.00	19	007-1432	DCCP User Control
9	006-6357	Probe XL-Rod - 8 1/4"	\$53.00	20	007-1434	Cable 50' DCCP MGR Ctr (M to M)
10	006-6358	Probe H-Rod - 7 1/4"	\$53.00	21	007-1435	Cable, 50' DCCP User Ctrl (M to M)
11	007-1094	ON/OFF Switch - Steam 1, Steam 2, Power (DPST)	\$12.00	22	007-1436	Cable, 50' DCCP Sensor (M to M)
12	007-1212W8	Water Gauge Fixture Assembly (Includes all hardware w/glass tube)	\$120.00	23	007-1403	DCCP Sensor
	007-4105W	8" Glass Ga 5/8" x 8" w/hdw	\$42.00	24	006-3190	Sensor Cover
	007-1098	12V Transformer	\$51.00		007-1404	50' DCCP MGR Extension (M to F)
					007-1405	50' DCCP User Extension (M to F)
					007-1406	50' Sensor Extension (M to F)
					007-1438	Cable, 100' DCCP User Control
					007-1439	Cable, 100' DCCP Sensor
				25	006-6362	Water Column (Housing Only)



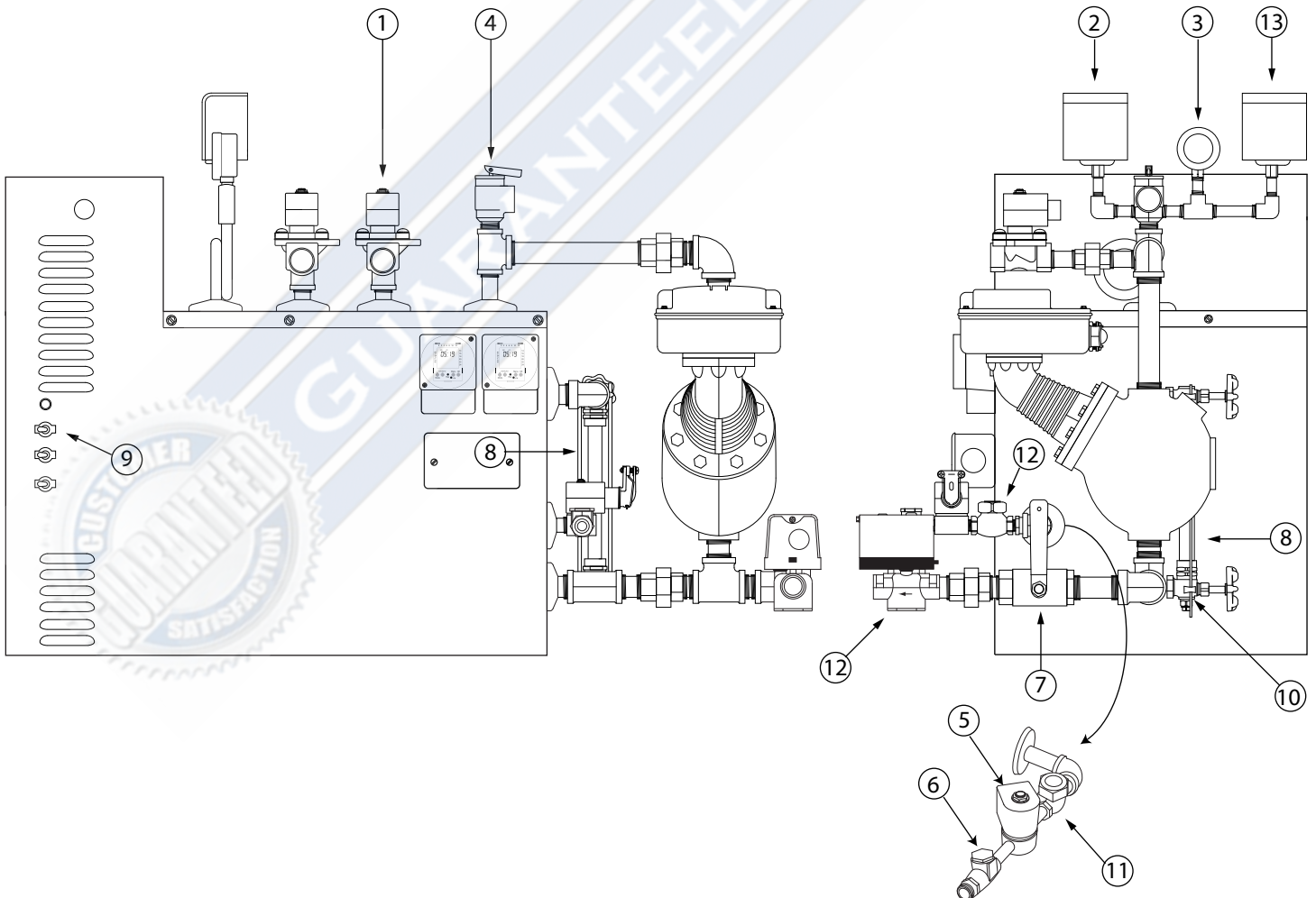
Item No.	Part No.	Part Description
1	007-1103	Steam Solenoid 1/2" 208/240V
2	007-7007K	Pressure Switch 0-15 psi
3	007-1128	Pressure Gauge 0-30lbs
4	007-1215	Safety Relief Valve - 15psi
5	007-1116	Water Solenoid 1/4" 208/240V
6	007-1208	Watts Strainer - 1/4"
7	007-1205	Drain Valve - Manual 1/2" (When not equipped with Blowdown)
7a	007-1226-1	Drain Valve - Manual 1" (When equipped with Blowdown)
8	007-1161	Drain Valve - Motorized 1" (ABD - 240/480V)
	007-1186	Drain Valve - Motorized 1" (ABD - 208V)
9	007-1219W	Glass Sight Tube 9 1/2" Kit with nuts and washers.
10	006-6356K	Water Level Probe Housing Assy. (includes item #11 & #12)
11	006-6357	Probe - XL Rod - (Only for 006-6356)
12	006-6358	Probe - H Rod - (only for 006-6356)
13	007-1096	On/Off Switch - Start , Water
14	007-1094	On/Off Switch - Steam
15	007-1212W9	Water Gauge Fixture Assembly (includes all hardware & glass tube)
16	007-1192	Check Valve - 1/4" Spring
17	007-5380-2	LLC-1700-2 Printed Circuit Board (Serial Number - E-24934 D.O.M. 3/90+)
18	007-1090	24-hr/7-day Programmable clock
19	007-7008K	HC-PCMR Aux Press. Control with manual reset
	007-1023	Transformer, Multitap, .25KvA (480V)
	007-4116-50	Repair Kit - Steam Solenoid
	007-6420	Contact Snubber
	007-6357	Fuse - 0.15 Amp, 250v, slow-blow (Mounted on PCB)
	007-1280	Fuse - 1 amp (cabinet mounted for control circuitry)
20	007-1301	Contact, 3pl, 40/50amp, 208-240v
	007-1310	Contact, 4pl, 40/50amp, 208-240v

***Prices are subject to change without notice.**



Item No.	Part No.	Part Description
1	007-1262	Steam Solenoid 3/4" 208/240V (Serial Number E-27374 +)
	007-1103	Steam Solenoid 1/2" 208/240V (Up to serial number E-27373)
2	007-7007K	Pressure Switch 0-15 psi
3	007-1128	Pressure Gauge 0-30lbs.
4	007-1215	Safety Relief valve - 15psi
5	007-1116	Water Solenoid 1/4" 208/240V
6	007-1208	Watts Strainer - 1/4"
7	007-1205	Drain Valve - 1/2" (When not equipped with Blowdown)
7a	007-1226-1	Drain Valve - Manual 1" (When equipped with Blowdown)
8	007-4105W	Glass Sight Tube - 8" (Kit with Nuts & Washers)
9	007-1094	On/Off Switch - Water, Steam, Power
10	007-1212W8	Water Gauge Fixture Assembly (includes all hardware & glass tube)
11	007-1192	Check Valve - 1/4" Spring
	007-1023	Transformer, Multitap, .25KvA (480V)
12	007-1161	Drain Valve - Motorized 1" (ABD - 240/480V)
	007-1186	Drain Valve - Motorized 1" (ABD - 208V)
13	007-7008K	HC-PCMR Aux Press. Control with manual reset
	007-4116-75	Repair Kit - for 3/4" Steam Solenoid
	007-1090	24-hr/7-day Programmable clock
	007-1199	McDonnell Miller #150 - Gasket
	007-1280	Fuse - 1 amp (cabinet mounted for control circuitry)
	007-6420	Contact Snubber
	007-1301	Contact, 3pl, 40/50amp, 208-240v
	007-1310	Contact, 4pl, 40/50amp, 208-240v

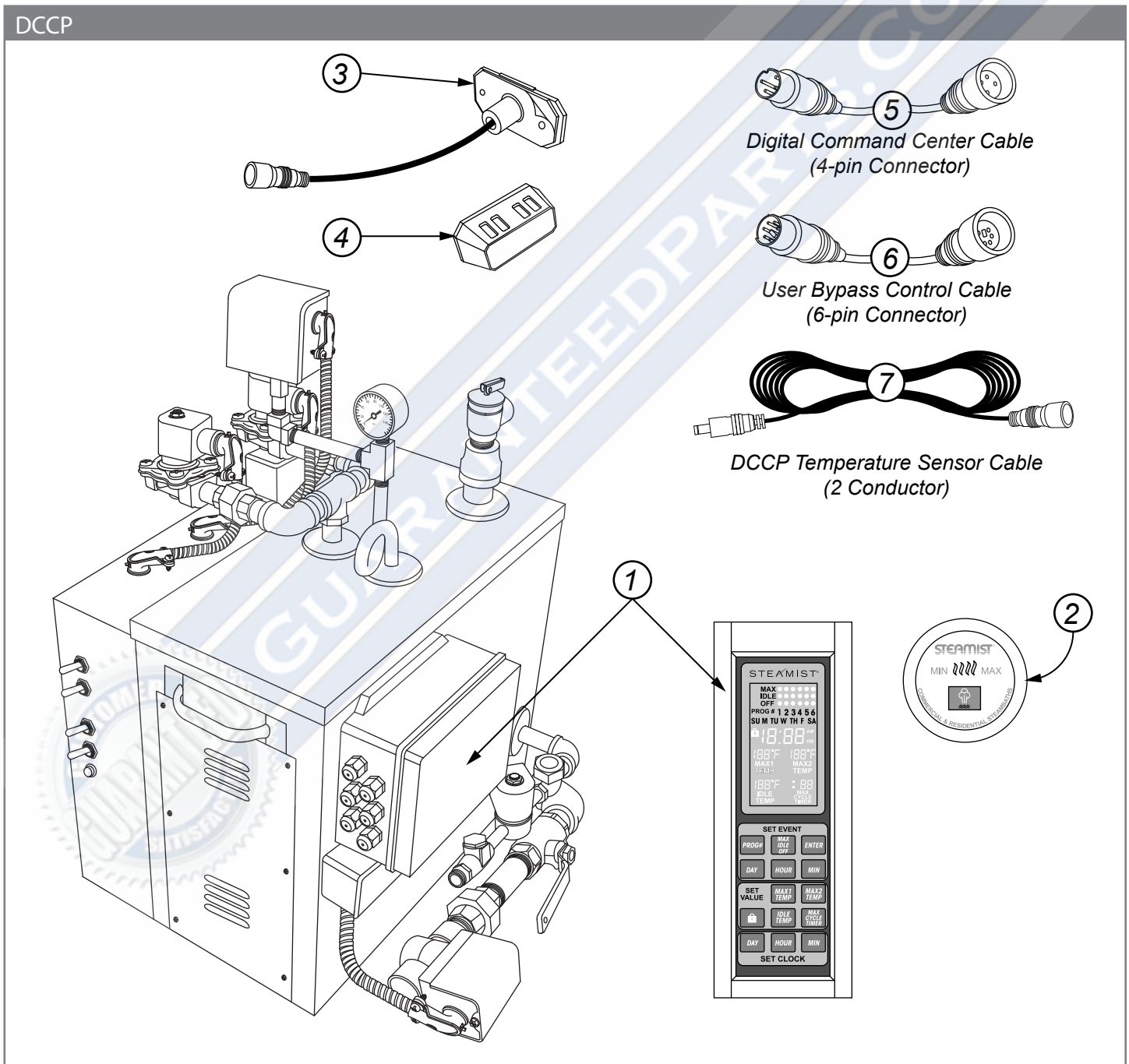
***Prices are subject to change without notice.**



Digital Commercial Control Package For HC models with serial #'s up to E-39999

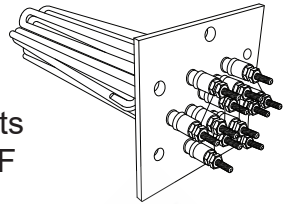
<u>Item No.</u>	<u>Part No.</u>	<u>Part Description</u>
1	007-1400-RETRO	DCCP Control Module/Command Center
2	007-1432	DCCP User Control
3	007-1403	DCCP Sensor
4	006-3190	Sensor Cover
5	007-1404	CABLE, 50' DCCP COMMAND CENTER
6	007-1405	CABLE, 50' DCCP USER CONTROL
7	007-1406	CABLE, 50' DCCP SENSOR
	007-1098	Transformer, 240/208-12V, 20VA

***Prices are subject to change without notice.**

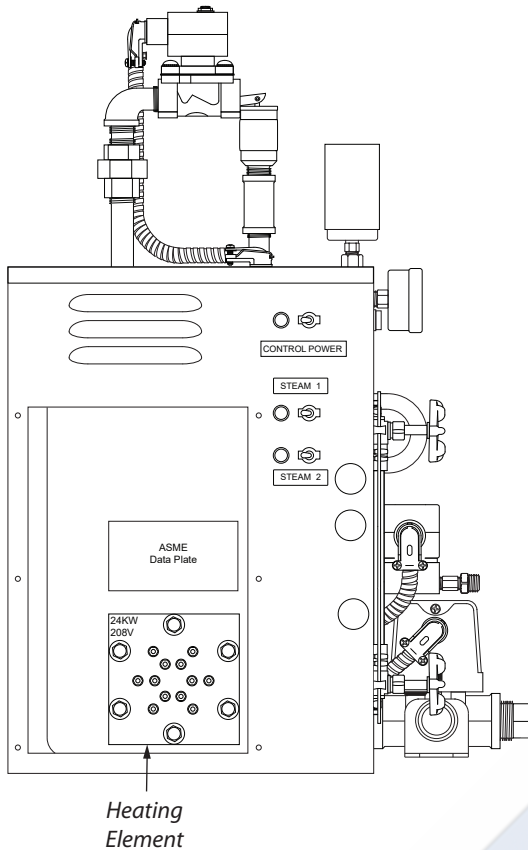


HC-9 thru HC-72 Heating Elements

Note: For models with an Aux Manual Low-Water Control "HC-LWMR", replace the "AHE" prefix with "WIL" when ordering.



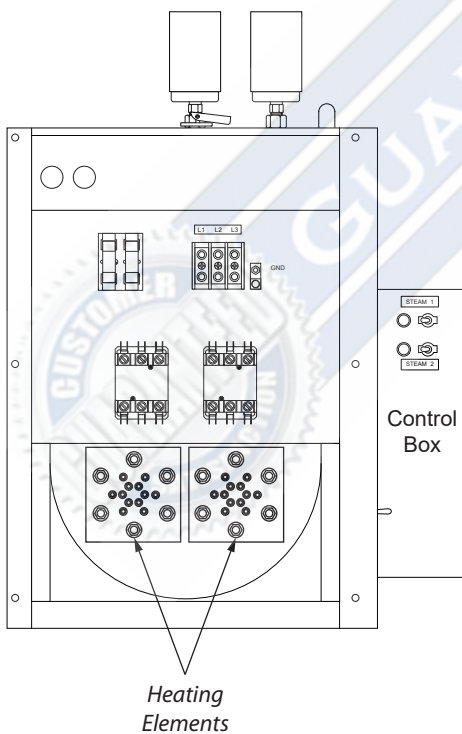
HC W/Single Element



Commercial Heating Elements
Ratings: Steam 100psi, 338°F

<u>Part No.</u>	<u>Part Description</u>
AHE-0016/1	Heating Element 9kW 208V 1PH
AHE-0016/1A	Heating Element 9kW 208V 3PH
AHE-0016/2	Heating Element 9kW 240V 1PH
AHE-0016/2A	Heating Element 9kW 240V 3PH
AHE-0016/3A	Heating Element 9kW 480V 3PH
AHE-0017/1	Heating Element 12kW 208V 1PH
AHE-0017/1A	Heating Element 12kW 208V 3PH
AHE-0017/2	Heating Element 12kW 240V 1PH
AHE-0017/2A	Heating Element 12kW 240V 3PH
AHE-0017/3A	Heating Element 12kW 480V 3PH
AHE-0018/1	Heating Element 15kW 208V 1PH
AHE-0018/1A	Heating Element 15kW 208V 3PH
AHE-0018/2	Heating Element 15kW 240V 1PH
AHE-0018/2A	Heating Element 15kW 240V 3PH
AHE-0018/3A	Heating Element 15kW 480V 3PH
AHE-0019/1	Heating Element 18kW 208V 1PH
AHE-0019/1A	Heating Element 18kW 208V 3PH
** AHE-0019/1A6	Heating Element 18kW 208V 3PH
AHE-0019/2	Heating Element 18kW 240V 1PH
AHE-0019/2A	Heating Element 18kW 240V 3PH
AHE-0019/3A	Heating Element 18kW 480V 3PH
AHE-0021/1	Heating Element 24kW 208V 3PH
** AHE-0021/1A6	Heating Element 24kW 208V 1PH
AHE-0021/2	Heating Element 24kW 240V 3PH
** AHE-0021/2A6	Heating Element 24kW 240V 1PH
AHE-0021/3	Heating Element 24kW 480V 3PH
AHE-0025/1A	Heating Element 30kW 208V 3PH
AHE-0025/2A	Heating Element 30kW 240V 3PH
AHE-0025/3A	Heating Element 30kW 480V 3PH
AHE-0026/1A	Heating Element 36kW 208V 3PH
AHE-0026/2A	Heating Element 36kW 240V 3PH
AHE-0026/3A	Heating Element 36kW 480V 3PH
006-4202	Heating Element Gasket
AHE-0023	Heating Element Bolts

HC W/Dual Elements



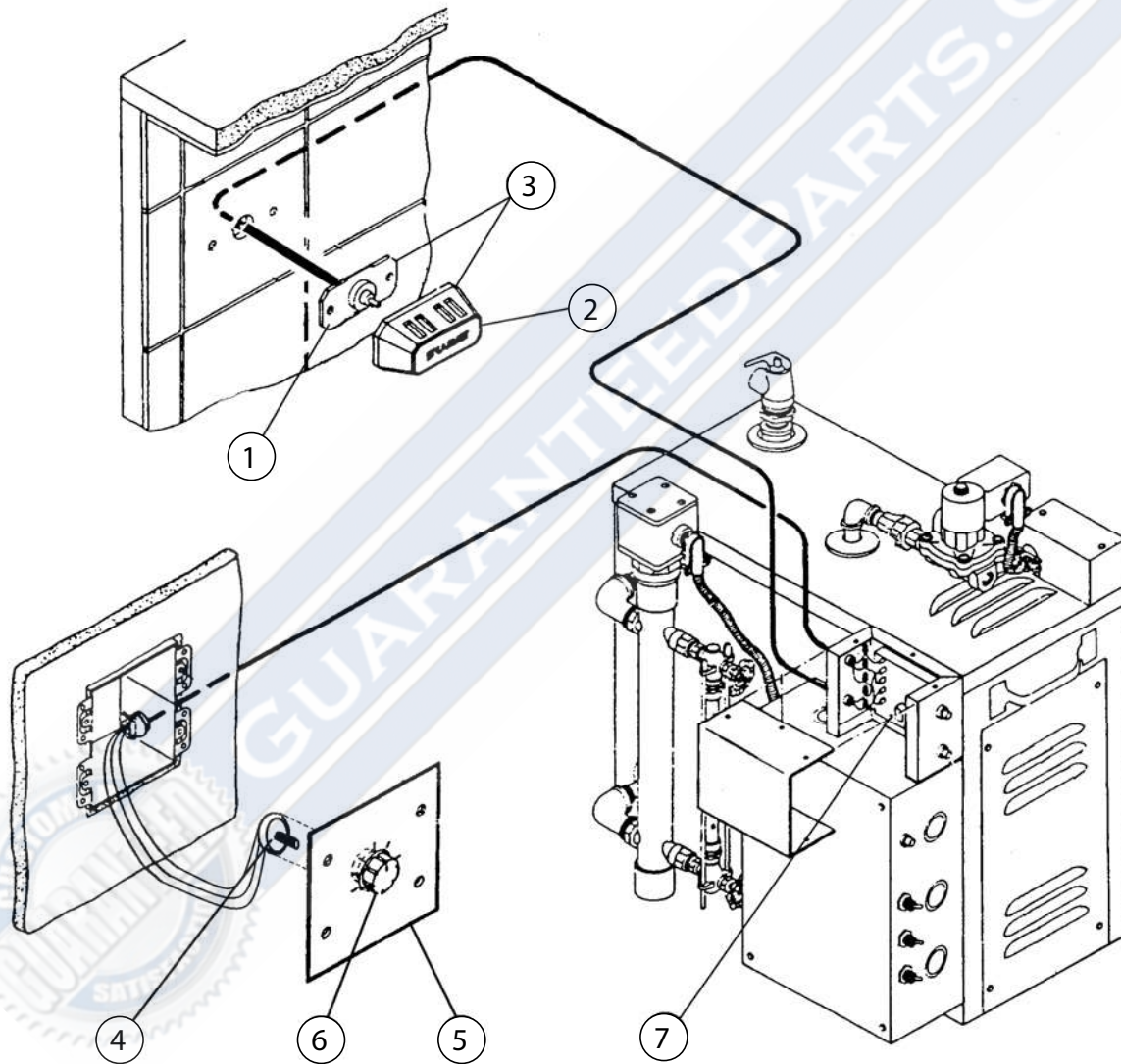
**** For Serial numbers 4000 and above ONLY**

***Prices are subject to change without notice.**

CP-1 Control Parts
For HC Models with serial #'s up to E-39999

<u>Item No.</u>	<u>Part No.</u>	<u>Part Description</u>
1	007-1189	Sensor Assembly
2	006-3190	Sensor Cover - Chrome
3	007-5103	Sensor Assembly w/cover
4	007-1041	Potentiometer - Temp Controller
5	006-4304	ST-200C Face Plate - Chrome
6	007-6911	ST-200C Knob - Black
7	007-4107	ST-200C Control Board 240V (Serial Number - E-24934 D.O.M. 3/90+)
	007-1041K	Items 4, 5 & 6 packaged together as a kit

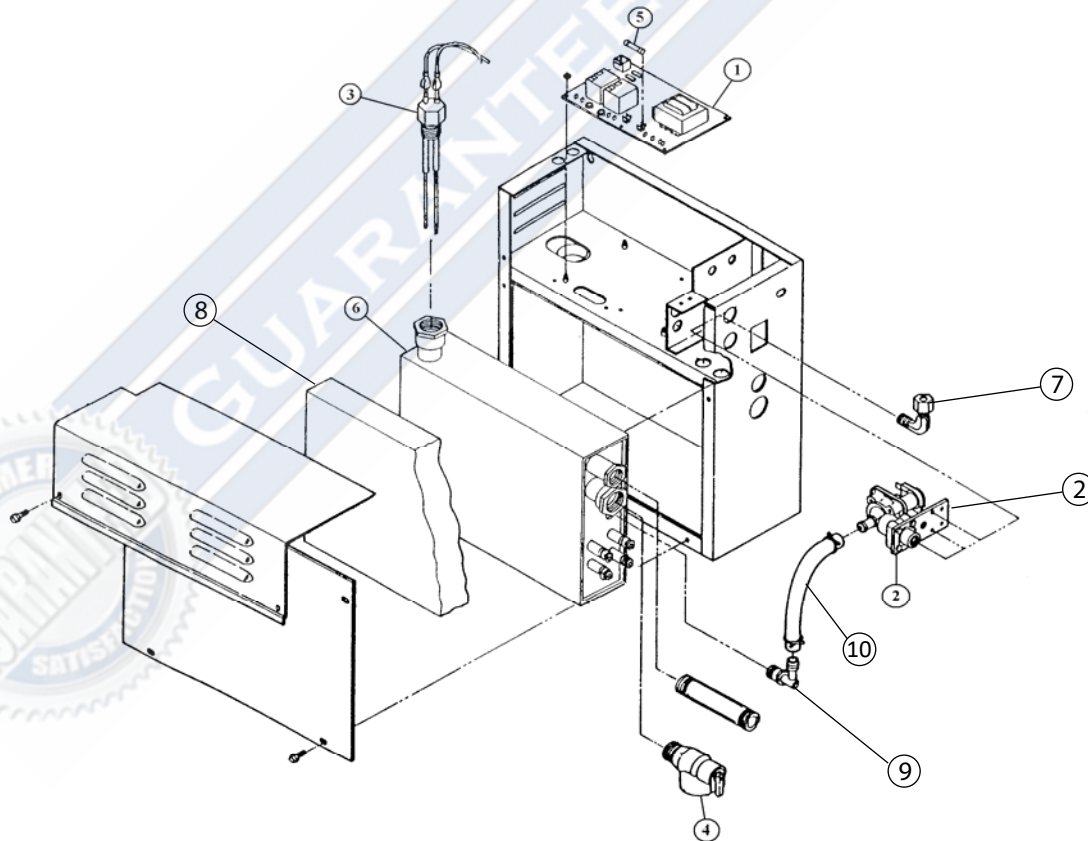
*Prices are subject to change without notice.



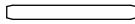
Models: LT-50 thru LT-100

<u>Item No.</u>	<u>Part No.</u>	<u>Part Description</u>	
1	007-5380-4K	LLC-1700 Printed Circuit Board	
2	007-1298K	Water Solenoid Valve (Kit, includes item #10)	
3	007-1164K	Probe Assembly	
4	007-1211	Safety Valve 8lbs.	
5	007-6357	Fuse - 0.15 AMP (Mounted on PCB)	
6	006-2010/2A	Tank & Element Assembly - 5kW 240V	LT-50
	006-2010/1A	Tank & Element Assembly - 5kW 208V	
	006-2020/2A	Tank & Element Assembly - 6.5kW 240V	LT-65
	006-2020/1A	Tank & Element Assembly - 6.5kW 208V	
	006-2030/2A	Tank & Element Assembly - 7.5kW 240V	LT-75
	006-2030/1A	Tank & Element Assembly - 7.5kW 208V	
	006-2045/2	Tank & Element Assembly - 8.5kW 240V	LT-85
	006-2045/1	Tank & Element Assembly - 8.5kW 208V	
	006-2060/1	Tank & Element Assembly - 10kW 240V	LT-100
	006-2060/2	Tank & Element Assembly - 10kW 208V	
7	005-2148	Elbow, brass, 3/8C x 3/8mPT	
8	006-6186	Insulation, SM/LT, 6 pc. Set	
9	005-2147	Elbow, plastic, 3/8mPT x 3/8hb	
10	007-1246K-LT	Hose, LT Cabinet 13 inches	

***Prices are subject to change without notice.**

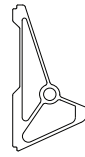


Bracket Hinge Pin



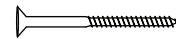
002-2200

Wall Bracket



002-2201
Obsolete

Screw 3.25"L for Wall Bracket



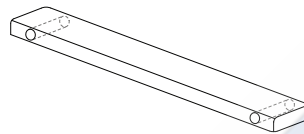
002-2202

Plastic Anchor for Wall Bracket Screw



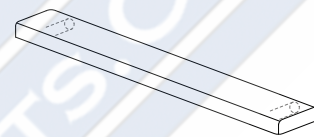
002-2203

Wood Slat W/Thru Hole



002-2204
Obsolete

Wood Slat Front



002-2205
Obsolete

Screw for Wood Slat



002-2206 - Stainless Steel
002-2207 - Brass
Obsolete

Rod Cushion W/O Screw



002-2219
Obsolete

Rod Cushion Screw



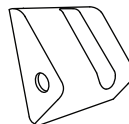
002-2220 - Stainless Steel
002-2221 - Brass
Obsolete

Pin Cap



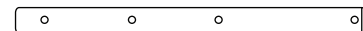
002-2209 - Polished Chrome
Obsolete
002-2210 - White
Obsolete
002-2211 - Brass
Obsolete
002-2212 - Brushed Nickel
Obsolete

Bracket Cover



002-2214 - Polished Chrome
Obsolete
002-2215 - White
Obsolete
002-2216 - Brass
Obsolete
002-2217 - Brushed Nickel
Obsolete

Round Metal Support Rod for Wood Slat



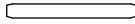
002-2223 - Polished Chrome
Obsolete
002-2224 - White
Obsolete
002-2225 - Brass
Obsolete
002-2226 - Brushed Nickel
Obsolete

Note: For seats with square metal support rods see Pub# 608-18

***Prices are subject to change without notice.**

Parts List for SBS-101 Tilt-Up Seats W/ Square Metal Support Rods
9101-PC, 9101-PN, 9101-BN, 9101-ORB

Bracket Hinge Pin



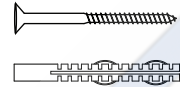
9101-3

Wall Bracket



9101-2

Screw 3.25"L for Wall
Bracket
(Set of 8)



002-2232

Screw for Wood Slat



002-2236 - Stainless Steel

Pin Cap



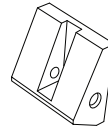
002-2237-PC
Polished Chrome

002-2237-PN
Polished Nickel

002-2237-BN
Brushed Nickel

002-2237-ORB
Oil Rubbed Bronze

Bracket Cover



9101-1-PC
Polished Chrome

9101-1-PN
Polished Nickel

9101-1-BN
Brushed Nickel

9101-1-ORB
Oil Rubbed Bronze

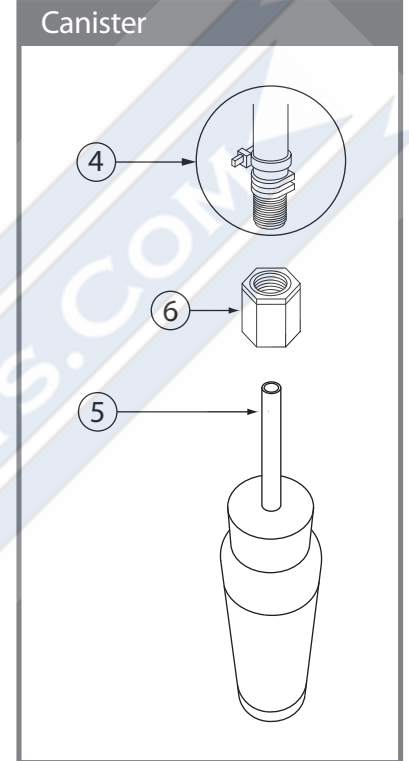
Note: For seats with round metal support rods see Pub# 608-10
***Prices are subject to change without notice.**

STEAMIST®

AromaSense Option

Model: TSA

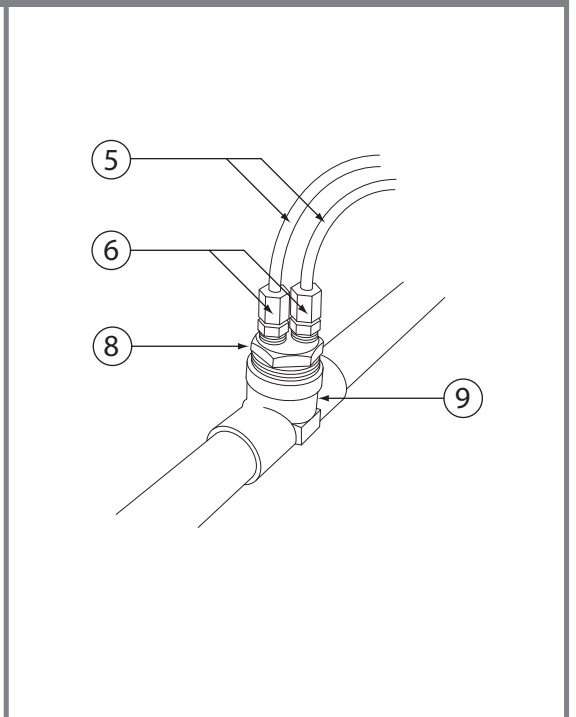
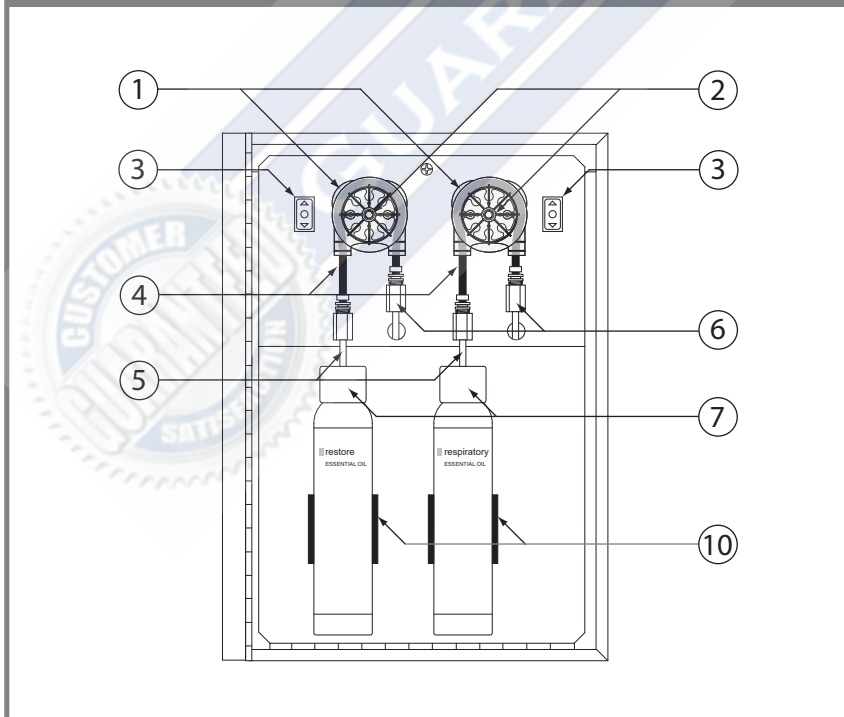
<u>Item No.</u>	<u>Part No.</u>	<u>Description</u>
1.	007-3013	Peristaltic Pump Rollers each
2.	007-3013-2	Plastic/White Roller each
3.	007-3016	Manual Forward/Reverse Switch each
4.	007-3013-1	Black Peristaltic Pump Tube/Fittings each
5.	007-3014	Clear Discharge Tube/Per Foot
6.	005-2168	Tube Fitting Adapter, 1/8Tx1/8MPT/ each
7.	007-3018	Canister Caps Drilled each
8.	007-3021	AromaSense Plug Adapter
9.	005-2169	Injection Tee
10.	007-3020	Canister Holder Clip
11.	007-3030	120v Power Supply
	007-3011-2	TSA - PCB



***Prices are subject to change without notice.**

AromaSense Module

AromaSense Adapter

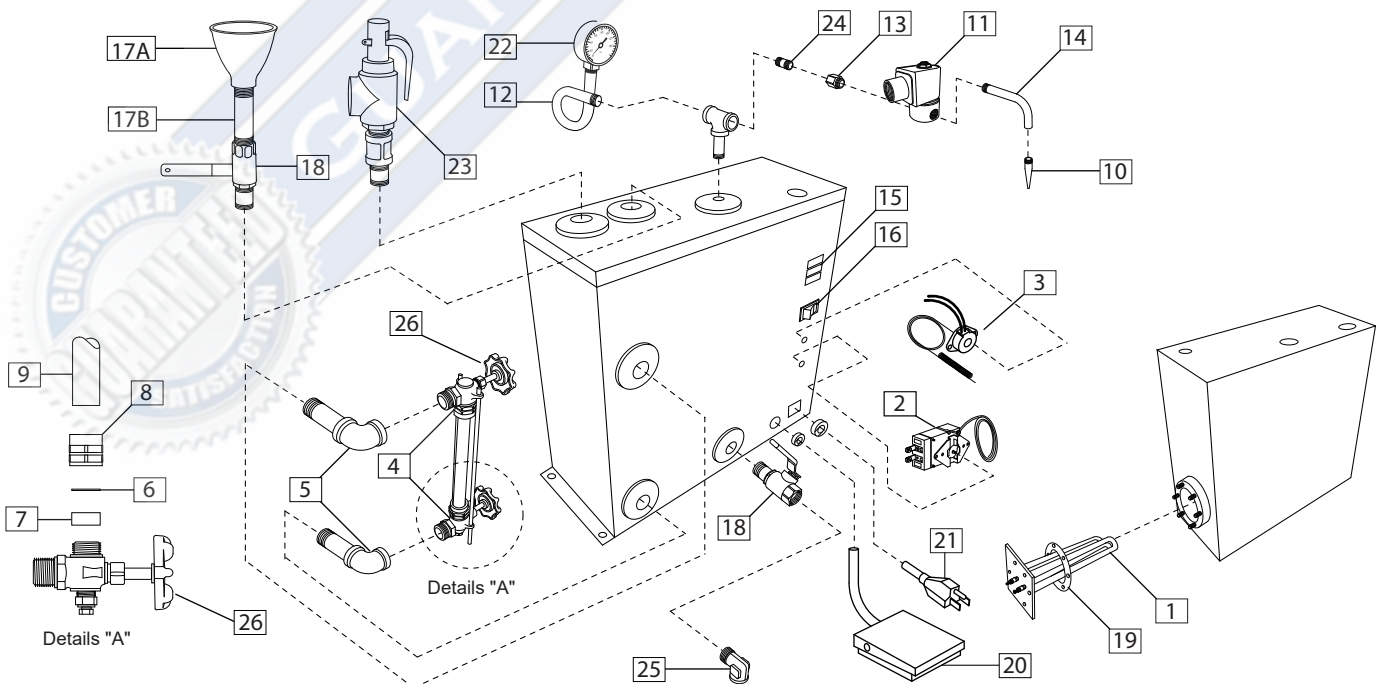


HPJ-2S

<u>Item No.</u>	<u>Part No.</u>	<u>Part Description</u>
1	006-6348	Heating Element 120V, 1.5kW (Includes Gasket)
2	007-4114	Temp/Pressure Control (Robert Shaw)
3	007-4102	Reset Switch (Thermo-Disc)
4	007-1290W8	Water Fixture Assembly (Top & Bottom, Includes items 6, 7, 8, & 9) - For Serial# E-38843 and up
4(B)	007-1212W8	Water Fixture Assembly (Top & Bottom, Includes items 6, 7, 8, & 9) - For Serial# E-38842 and below
5	005-1014	Elbow, 1/2" NPT
6	007-1260	Friction Washer (Each)
7	006-3207	Rubber Washer for Glass tube (not sold separately)
8	005-2138	Brass Nut for the glass tube (not sold separately)
9	007-4105W	Glass Sight Tube 8" Kit (Includes 2 each of 6, 7, and 8)
10	006-3216	Aluminum Nozzle
11	007-1102	1/4" Steam Solenoid Assembly
12	005-2074	Pig Tail
13	005-2122K	1/4" Adapter with Strainer (Inside)
14	005-2023	"L" Shape Nipple (1/4" Male THD x 1/8" FTHD)
15A	007-1240-1	Indicator Light Fill/Steam, Orange
15B	007-1240-2	Indicator Light Heat, Orange
15C	007-1240-3	Indicator Light Reset, Red
16A	007-5275	Rocker Switch
16B	007-1083	ON/OFF Chrome (old)
17A	006-3215	Funnel
17B	005-2017	1/2" x 3" Nipple
18	007-1205	1/2" Ball Valve, Fill/Drain
19	006-4201	Gasket for Heating Element
20	007-1122	Electric Foot Switch - Pedal
21	002-1075	Cord with Plug
22	007-1129	Pressure Gage
23	007-1214	1/2" Safety Valve 100psi
24	005-1101	1/4" x 1 1/2", Nipple
25	005-2109	Street Elbow, 1/2" x 1/2"
26	007-1293	Handle (red) for Item No. 4 (each)
	007-1223	Pedal Valve (HPJ-2)

*Prices are subject to change without notice.

HPJ-2S



STEAMIST®

Digital Shower Valve

<u>Item No.</u>	<u>Part No.</u>	<u>Description</u>
1.	9370	TSSH - Digital Shower Valve Assembly
2.	9370-4	Power supply, 120Volt
3.	007-3351	Valve interface, circuit board assembly
4.	5158	35' Multi-Conductor Cable, (6 pin)
5.	9370-2	Strainer (1 each)
6.	006-6096	Coupler, 6 pin, double female

***Prices are subject to change without notice.**

Digital Shower Valve

