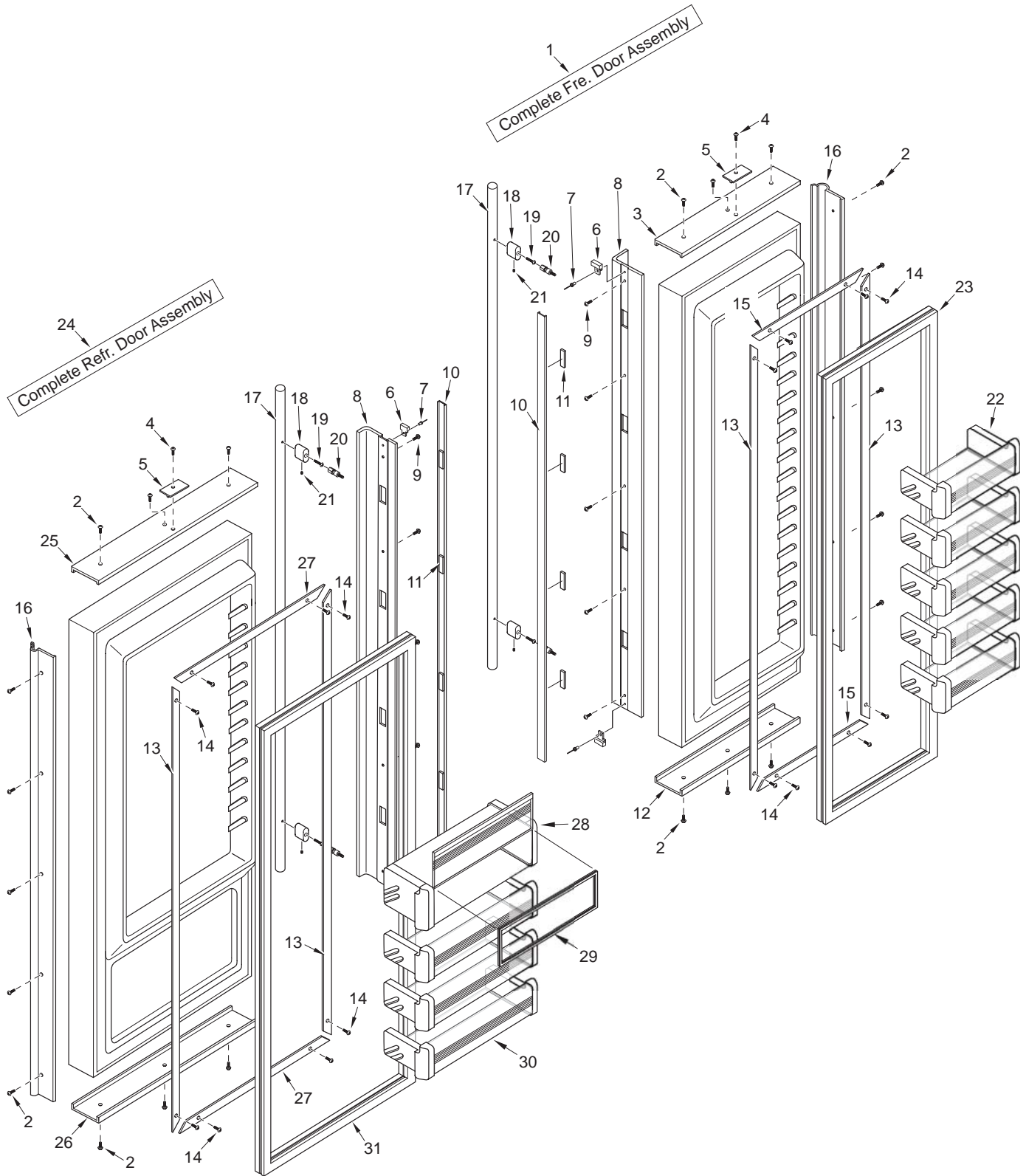


642-2 DOOR PARTS LIST

Ref #	Part #	Description	Ref #	Part #	Description
1	4133175	Freezer Door Assy, Frame/Overlay	17	4133730	Handle Assy, SS OBR Standoffs (Incl. Stand-offs)
	4133235	Fre Door Assy, SS		4133731	Handle Assy, OBR Standoff, B (Incl. Stand-offs)
	4135731	Door Assy, SRVC, 642 Fre, B		4133732	Handle Assy, OBR Standoff, P (Incl. Stand-offs)
	4135931	Door Assy, SRVC, 642 Fre, P			
NOTE: Door Assy's do NOT incl. hinges or handles.					
2	6200720	Screw, #8-18 x 1/2 PH Truss HD	18	3512150	Standoff, SS Oval
	6200721	Screw, #8-18X1/2 Ph Low Prfl, B		3512151	Standoff, Oval, B
3	2230617	Door Trim, Top; Freezer		3512152	Standoff, Oval, P
4	6200720	Screw, #8-18 x 1/2 PH Truss HD	19	6110540	Bolt, #10-24 x 1/2 Flat Socket HD
	6200721	Screw, #8-18X1/2 Ph Low Prfl, B	20	3511520	Handle Mounting Stud
5	4200940	Switch Depressor (Includes Screw)	21	6110730	Set Screw #10-32 X 1/4 SS Cone
	3421381	Depressor, Switch, B (Screw not Incl.)	22	4330650	Fre Door Shelf Assy
6	3413340	Handle/Trim End Cap	23	3212190	Door Gasket, Fre
7	6180160	Rivet, Open End Blind, 1/8 x 3/16	24	4133155	Refrigerator Door Assy, Frame/Overlay
8	4132220	Door Handle Assembly (Framed)		4133225	Refrigerator Door Assy, SS
	4132320	Handle-Side Door Trim (Overlay)		4135721	Door Assy, SRVC, 642 Ref, B
9	6201300	Tapping Screw, #8 x 1/2		4135921	Door Assy, SRVC, 642 Ref, P
10	4131860	Handle/Trim Molding Assy	25	2230615	Door Trim, Top; Refrigerator
11	3451140	Magnet, Trim Strip - 3"	26	2230616	Door Trim, Bottom; Refrigerator
12	2230618	Door Trim, Bottom; Freezer	27	3421620	Gasket Retainer, 23.125"
13	3420260	Gasket Retainer, 66.875"	28	4330560	Dairy Compartment Assy
14	6200410	Screw, #8 x 1/2 Slot Head Hex	29	3211850	Dairy Compartment Gasket
15	3421610	Gasket Retainer, 13.813"	30	4330550	Refrig. Door Shelf Assy
16	3511130	Door Trim, Hinge Side - (SS Model)		4330540	Gallon Door Shelf Assy (Sales Acc.)
	3511131	Door Trim, Hinge Side - Mitered Corner	31	3212180	Door Gasket, Refrigerator
	3512241	Trim, Door Hinge Side - Carbon			
	3512242	Trim, Door Hinge Side - Platinum			



642-2 DOOR VIEW

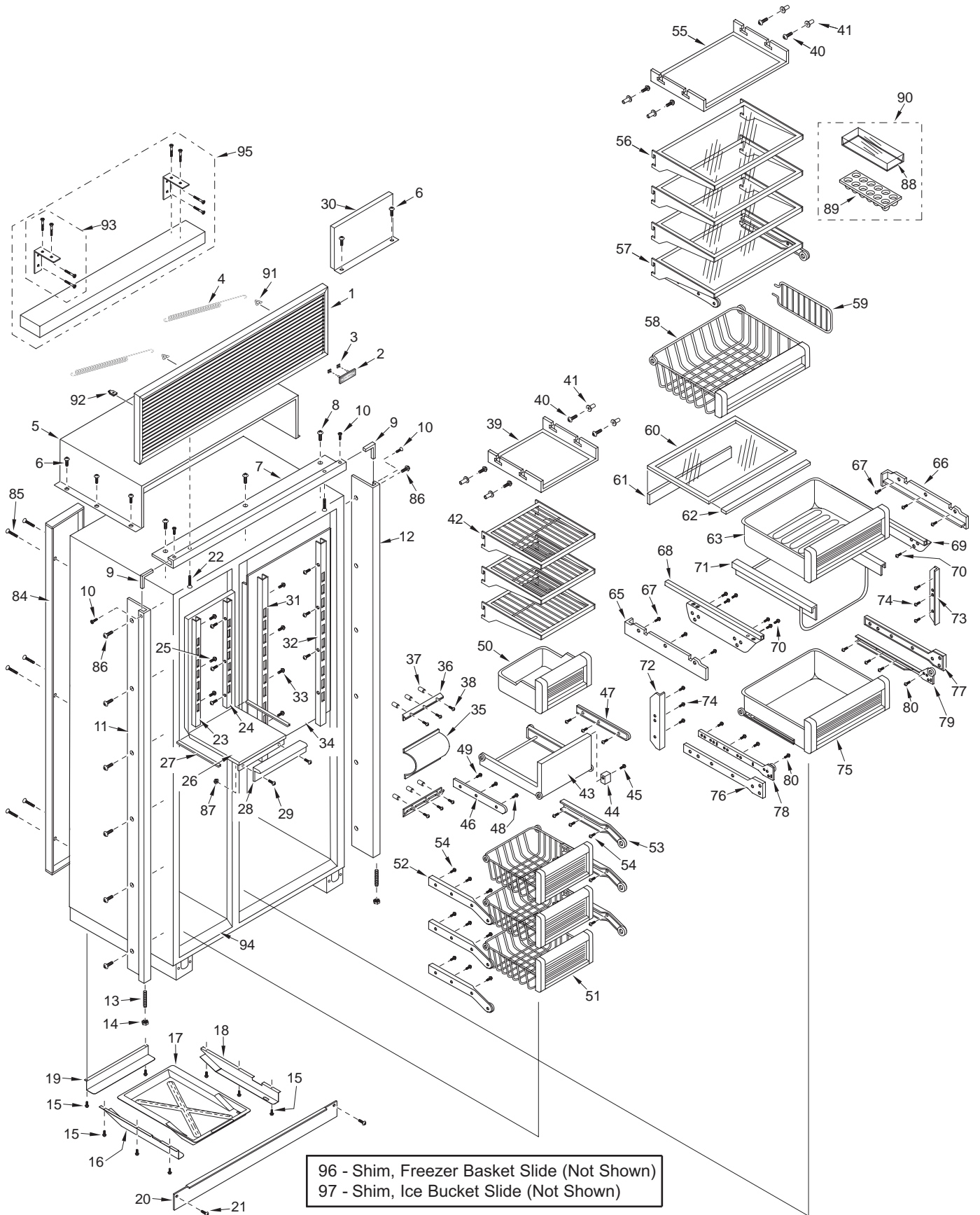


642-2 COSMETIC PARTS LIST

Ref #	Part #	Description	Ref #	Part #	Description
1	6LG4211	Louvered Grille Assy, 42" x 11"	40	6201330	Screw, #8-18 x 5/8" PH PN SS-Gnd
	6PG4211	Panel Grille Assy, 42" x 11"	41	3520420	Insert / Diffuser Stand-off
	6SG4211/S	SS Grille, 42X11-CLSC	42	3602210	Freezer Wire Shelf
	6SG4211/B	SS Grille 42X11-CarBon	43	4181980	Ice Bkt Carriage Assy
	6SG4211/P	SS Grille 42X11-Platinum	44	3421090	IM Carriage Guide
2	3580210	Name Plate, Stick-on (See SN Breaks)	45	6200340	Screw, #6-20 x 1/2" Pan Head
	3580211	Nameplate, B, P (See SN Breaks)	46	3410932	Ice Bucket Slide, Left
	3580230	Name Plate w/ Pegs (See SN Breaks)	47	3410931	Ice Bucket Slide, Right
	3580270	Logo, Stainless 3 1/2" (Stick-on)	48	6200450	Screw, #8 x 1" Type AR Flat
	3580280	Logo, Framed 3 1/2" (w/ Pegs)	49	6200710	Screw, #8-18 x 3/8" Fillister HD
	3580290	Logo, Carbon 3 1/2", (Stick-on)	50	4181960	Ice Bucket Assy
3	6150140	Spring Grip Nut, 1/8"	51	4181970	Freezer Basket Assy
4	3450900	Grille Spring	52	4181842	Fre Bskt Slide Assy-LH
5	4280940	Unit Shroud Assy	53	4181841	Fre Bskt Slide Assy-RH
6	6201270	Screw, #8-18 x 5/8" PH PN SS-Gnd	54	6200450	Screw, #8 x 1" Type AR Flat
7	2234022	Frame, Main Top 42	55	4161990	Refrig. Light Diffuser Assembly
	3517020	Frame, Main Top 42, B	56	3602041	Glass Shelf, Spill Proof
	3517045	Frame, Main Top 42, P	57	4181650	Refrig. Roll-out Shelf Assy
8	6200010	Screw, #10-12 x 3/4 Pan HD	58	4181530	Refrig. Roll-out Basket Assy
9	2210701	Main Frame Angle	59	3411160	Ref Roll-Out Bskt Divider
10	6200070	Screw, #4-24 x 3/8 Flat HD	60	4151760	Crisper Glass Assembly (Incl Seals)
11	4120870	Frame Assy, Main Left-LH	61	3211780	Crisper Glass Seal, Rear
	4120871	Frame Assy, Main Left Side - LH, B	62	3211750	Crisper Glass Seal, Front
	4120872	Frame Assy, Main Left Side - LH, P	63	4181450	High Humidity Drawer Assembly
12	4120860	Frame Assy, Main Rt-RH	64	NA	
	4120861	Frame Assy, Main Right Side - RH, B	65	3421711	Top Crspr Glass Support, Narrow-RH
	4120862	Frame Assy, Main Right Side - RH, P	66	3421721	Top Crisper glass Support, Wide-RH
13	3550190	Bottom Hinge Stud	67	6201130	Screw, #8x 1/2" PH FL HD SS
14	6150200	Nut, 1/4-20 Hex	68	4181421	Top Crisper Slide Assy, Narrow-RH
	6150201	Nut, 1/4-20 Hex, B	69	4181411	Top Crisper Slide Assembly, Wide-RH
15	6200010	Screw, #10-12 x 3/4" Pan HD	70	6201270	Screw, #8-18 x 5/8" PH PN SS-Gnd
16	0262010	Support, Drain Pan, LH	71	3421780	Humidity Drawer Slide-Frame
17	2120121	Pan, Drain Vac Form	72	3421732	Crisper Filler Strip, Wide
18	0262000	Support, Drain Pan, RH	73	3421731	Crisper Filler Strip, Narrow
19	0262020	Support, Drain Pan, Rear	74	6201270	Screw, #8-18 x 5/8" PH PN SS-Gnd
20	0169820	Kickplate, Black-Solid	75	4181480	Small Storage Drawer Assembly
	0168210	Kickplate, Stainless Steel	76	3421691	Bot Crisper Slide Support, Narrow
	0168211	Kickplate, Solid-42", B	77	3421692	Bot Crisper Slide Support, Wide
	0168212	Kickplate, Solid-42", P	78	3413112	Bot Crisper Slide, Cabinet - Left
21	6200050	Screw, #10-12 Pan Hd	79	3413111	Bot Crisper Slide, Cabinet - Right
	6200720	Screw, #8-18x1/2 Ph Tr Hd (SS Model)	80	6201230	Screw, #8 x 7/8" w/a #7 PH FT Head
22	6201310	Screw, #8 x 1-3/4" Flat PH HD	81	NA	
23	3602252	Fre Shelf Ladder, Lft	82	NA	
24	3602251	Fre Shelf Ladder, Right	83	NA	
25	6200710	Screw, #8-18 x 3/8 Fillister HD	84	0261640	Duct, Back
26	0234830	Freezer Duct/Shelf	85	6201060	Screw, #8x1-1/4" Ph Flat Tap
27	3212060	Evaporator Shelf Seal	86	6200210	Screw, #8-32 x 1/2" Flat Head
28	3413930	Evaporator Shelf Front		6201550	Screw, #8-18 Lw Prfl
29	6201290	Screw, #8-15 PH PN HD SS	87	6150820	Palnut, .25
30	4280950	Compressor Shroud Assembly	88	3412280	Egg Tray Cover
31	3601812	Refrig. Shelf Ladder, Left	89	3412270	Egg Tray
32	3601811	Refrig. Shelf Ladder, Right	90	4131810	Egg Tray with Cover
33	6200710	Screw, #8-18 x 3/8" Fillister HD	91	3450520	Grille Hook
34	0201270	Refrig Evap Cover (See SN Breaks)	92	6150140	Spring Grip Nut, 1/8"
35	3500690	Fre Lwr Light Diffuser (See SN Breaks)	93	4201340	Blocking Hardware Package
36	0235130	Fre Lwr Light Diff Rtnr (See SN Breaks)	94	4203920	Patch, Fre Face Frm Sill
37	6220340	Screw Grommet / Stand-off	95	4202860	Blocking Components; 42"
38	6201010	Screw, #8-15 x 2" Pan Head	96	2121120	Shim, Fre. Basket Slide
39	4162050	Fre Light Diffuser Assy	97	3411970	Shim, Ice Bucket Slide



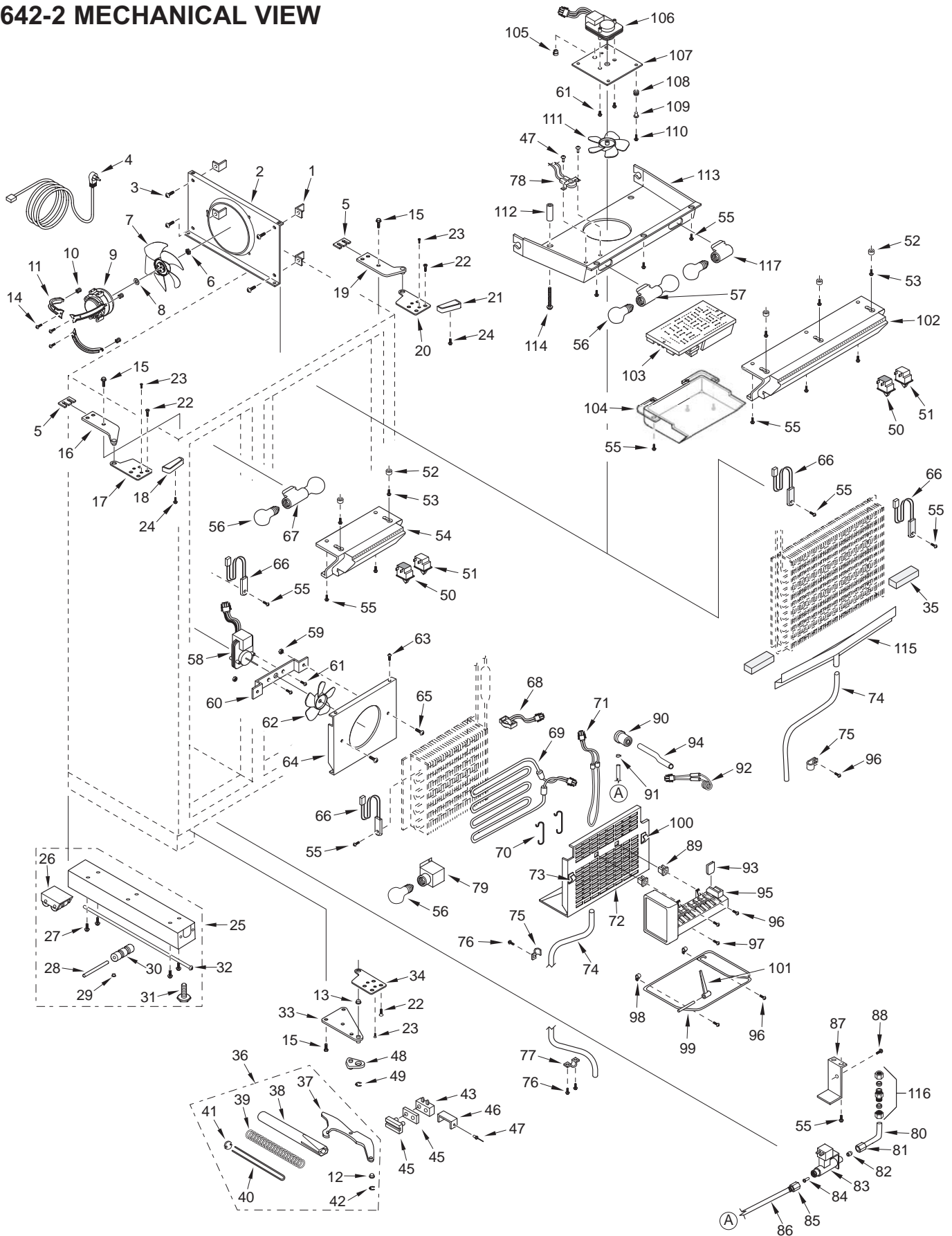
642-2 COSMETIC VIEW



642-2 MECHANICAL PARTS LIST

Ref #	Part #	Description	Ref #	Part #	Description
1	3450290	Angle Bracket	50	3060130	SPST Fan/Icemaker Switch (White)
2	0261200	Shroud, Cond Fan		3060131	Switch, Rocker N.O. Black
3	6200010	Screw, #10-12 x 3/4" Pan HD	51	3060140	SPST Light Switch (White)
4	3025560	Cord Assy, Power Supply		3060141	Switch, Rocker N.C. Black
5	0168680	Shim - Hinge	52	6160240	Nylon Spacer
6	6150410	Nut, 1/4-20	53	6200720	Screw, #8-18 x 1/2 PH Truss HD
7	3150800	Blade, Condenser Forward-SW	54	4161531	Freezer Front Pnl Assy
8	3210340	Neoprene Silencer, 7/8"	55	6201270	Screw, #8-18 x 5/8" PH PN SS-Gnd
9	4200740	Motor Pkg, Cond Fan (blade not incl.)	56	3030030	Light Bulb, 40 Watt
10	3220360	Grommet, Mtg Brkt	57	3050250	Sckt, Light Md Base Dbl
11	0261150	Brkt, Cond Mounting (3)	58	4200160	Freezer Fan Motor (Blade not Incl.)
12	3450550	E-Ring / Klipping, 5/16"	59	6150030	Nut, #10-24 Hex SS
13	3421270	Hinge Bearing, 3/8" x 5/8"	60	0234360	Fan Support
	3421271	Bearing, Door, B	61	6110270	Bolt, #10-32 x 1/4" RD HD
14	6200490	Screw, #8-32 x 3/8" Slotted Hex T25	62	3150060	Fan Blade; Freezer; 5 Prop; 5-1/2"
15	6110070	Bolt, 1/4-20x3/4 Spinlock Zinc	63	6201270	Screw, #8-18 x 5/8" PH PN SS-Gnd
16	4151272	Cabinet Hinge Assy, Upper LH	64	0234880	Fre Evap Fan Shroud
	4151274	Hinge Assy, Upr Cab-LH, B	65	6110020	Bolt, #10-24 x 3/8" Truss HD
17	4151472	Door Hinge Assy, Top LH	66	4204150	Thermistor, ASM Srvc Pkg
	4151474	Hinge Assy, Top Door-LH, B	67	4161610	Light Assy, Upper Freezer (Incl. Socket)
18	3541018	Top Cabinet Hinge Cover, LH	68	3082060	Defrost Te rminator-55/30 Deg.
	3541212	Cover, Top Cabinet Hinge-LH,B	69	4322140	Defrost Heater Assy (See SN Breaks)
	3541214	Cover, Top Cabinet Hinge-LH, P	70	1801100	Heater Clip
19	4151271	Cabinet Hinge Assy, Upper RH	71	3013540	Drain Tube Heater
	4151273	Hinge Assy, Upr Cab-RH, B	72	4152040	Fre Evap Cover Assy.
20	4151471	Door Hinge Assy, Top RH	73	6120160	Cord Clip, Plastic, 5/16 x 1/2"
	4151473	Hinge Assy, Top Door-RH, B	74	1601400	Drain Tube, Wire - 1/2" x 72"
21	3541017	Top Cabinet Hinge Cover, RH	75	6120050	Tube Clamp, Plastic, 5/8"
	3541211	Cover, Top Cabinet Hinge-RH,B	76	6200010	Screw, #10-12 x 3/4" Pan HD
	3541213	Cover, Top Cabinet Hinge-RH, P	77	6120210	U-Clamp, 5/8"
22	6110540	Bolt, #10-24 x 1/2" Flat Socket HD	78	3082140	Light Terminator
23	6200390	Screw, #6 x 3/8" T25 Flat Head PH	79	4161600	Light Assy, Lower Freezer
24	6200140	Screw, #8-15 x 3/8" Truss HD	80	2600297	Tube, Copper L-Shaped
25	4110353	Base Assy (w/rollers)	81	3520380	Compression Nut
26	4110331	Base Rear Roller Assy	82	3520370	Compression Sleeve
27	6200010	Screw, #10-12 x 3/4" Pan HD	83	4202790	Water Valve
28	3550560	Straight Pin, Base Assy, .312" x 2.88"	84	3520050	Brass Insert, Solenoid
29	3450620	Canoe Clip	85	3520030	Icemaker Nylon Nut, 1/4"
30	3421240	Cabinet Roller (Single)	86	2600617	Plastic Water Line
31	3570050	Leveling Leg, #18-3/8 x 1"	87	0168160	Solenoid Water Valve Bracket
32	6110580	Adjusting Screw	88	6200780	Screw, #10-24 x 1/2" PH Hex Washer
33	4151281	Cabinet Hinge Assy, Lower RH	89	6220220	Screw Grommet, 1/32" X 3/8" SQ.
	4151283	Hinge Assy, Lwr Cab-RH, B	90	1607700	Water Inlet Tube
	4151282	Cabinet Hinge Assy, Lower LH	91	6220470	Fill Tube Clamp
	4151284	Hinge Assy, Lwr Cab-LH, B	92	3070210	Heater, Fill Tube
34	4151241	Door Hinge, Bottom RH	93	3140360	Fill Cup Plug
	4151242	Door Hinge, Bottom LH	94	3024110	Fill Tube Extension
35	6231490	Tape, Foam XLPE	95	4200521	Icemaker Assembly
36	4201111	Door Closer Assy, RH	96	6200120	Screw, #10-12 x 1/2" Truss HD
	4201150	Door Closer Assy, SBS-RH,B	97	6200060	Screw, #8-32 x 1/2" Pan HD
	4201112	Door Closer Assy, LH	98	6120280	Tube Clamp, Nylon, 3/16"
	4201160	Door Closer Assy, SBS-LH,B	99	3421630	Icemaker Control Arm
37	NA	See 4201111, 1112, 1115 or 1116	100	6120330	Wire Clip
38	NA	See 4201111, 1112, 1115 or 1116	101	3421070	Connecting Rod
39	3450530	Door Closer Spring	102	4161932	Control Panel Assy
	3450710	Low Pull Door Closer Spring	103	4203790	Control Board Package
40	3421290	Door Closer Linkage	104	4152050	Cover Assy, Control
41	0165980	Door Closer Spring Retainer	105	3220300	Bushing, Strain Relief RT Angle
42	3421260	Door Closer Bearing	106	4200170	Refrig. Fan Mtr Cmpnts (Blade not Incl.)
	3421261	Bearing, Door Closer, B	107	0211620	Refrigerator Fan Brkt
43	3450570	Door Closer Cushion	108	3220250	Grommet, 3/16" x 7/16" x 9/32"
44	0165970	Door Closer Guide Support	109	3520410	Brass Insert, Fan
45	3421310	Door Closer Guide	110	6200130	Screw, #8-18 x 3/4" Truss HD
46	0166360	Door Stop Cushion Retainer	111	3150640	Fan blade, Ref/Fre Evap.
47	6180010	Pop Rivet, 1/8"	112	6220540	Screw Grommet / Stand-off
48	DS90	Door Stop-90 Degree (Sales Acc.)	113	4161980	Refrig. Fan Shroud Assembly
	DS90/B	Stop,Door Kit 90 Degree, B (Sales Acc.)	114	6201010	Screw, #8-15 x 2" Pan Head
	DS105	Door Stop-105 Degree (Sales Acc.)	115	0212600	Drain Trough Assembly
	DS105/B	Stop,Door Kit 105 Degree, B (Sales Acc.)	116	3520250	Water Inlet Fitting Assy
49	3450560	E - Ring, 7/16"	117	3050230	Skt, Light M Base Sngl

642-2 MECHANICAL VIEW



642-2 SEALED SYSTEM PARTS LIST

<u>Ref #</u>	<u>Part #</u>	<u>Description</u>
1	4202280	Compressor, Freezer (EMI60HER) (See SN Breaks)
2	3111041	Relay, (PTH490D-AS100) (Used with DA73 Compressor)
	3111460	Relay, (1351408) (Used with EMI60HER Compressor)
	3111430	Overload, (4TM419MFB) (Used with DA73 Compressor)
	3111470	Overload, (4TM757NFB) (Used with EMI60HER Compressor)
	3111070	Running Capacitor, (12Mf) (Used with DA73 Compressor)
3	4251400	Heat Exchanger, Freezer
4	4201880	Compressor, Refrig. (EMI30HER)
5	3111370	Relay, (1351400 - For EMI30HER Comp)
	3111410	Overload, (4TM734LFB - For EMI30HER Comp)
6	4251610	Heat Exchanger, Refrigerator
7	3120480	Condenser, Dual
8	3014230	Filter-Drier, High Side
9	6120170	Locking Cable Tie, Red, 11-1/2"
10	0168040	Drier Bracket
11	6201270	Screw, #8-18 x 5/8" PH PN SS-Gnd
12	3011130	Freezer Accumulator
13	3130590	Evaporator Coil, Fre
14	6201270	Screw, #8-18 x 5/8" PH PN SS-Gnd
15	3130630	Evaporator, Refrig.
16	6201270	Screw, #8-18 x 5/8" PH PN SS-Gnd
17	2600138	Drain Pan Heater Loop
18	3421410	Drain Pan Heater Loop Support
19	6200010	Screw, #10-12 x 3/4" Pan HD
20	6200010	Screw, #10-12 x 3/4" Pan HD
21	6150220	Nut, 5/16-18 Hex Zinc
22	6240050	Flat Washer, 5/16"
23	3150010	Rubber Grommet, Small, 5/8"
	3150170	Rubber Grommet, Large, 15/16"
24	6160030	Spacer, 5/16 x 7/16 x 5/8"
	6160070	Sleeve, 5/16 x 7/16 x 7/8"
25	3014100	Suction Line Drier (Service Only)

642-2 SEALED SYSTEM VIEW

