

SPECIFICATIONS: MODEL 4037P

ELECTRICAL

- Switch: Single pole, normally open (SPNO)
- Connection: .250 x .032 thick (6.35 x .813 mm) male quick connect
- Rating: Ratings below are @ 190° F (88°C) for 100,000 cycles

- 62 VA pilot duty @ 24 VAC
- 120 VA pilot duty @ 120 VAC
- 240 VA pilot duty @ 240 VAC

MECHANICAL

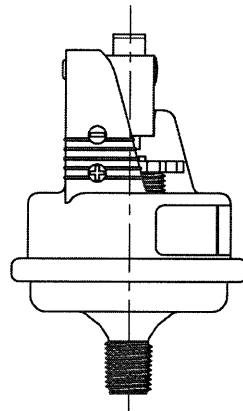
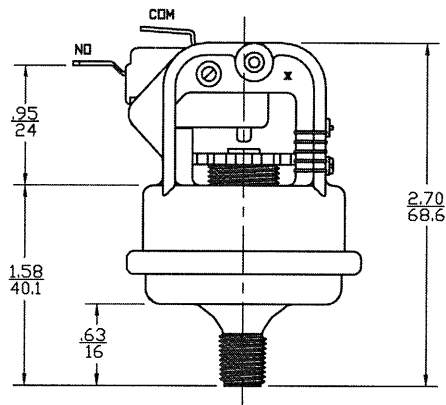
- Pressure setpoint: Adjustable
- Pressure range: 1 to 6 psig (6.9 to 41 kPa) on pressure rise or pressure fall
- Operating pressure, max: 50 psig (345 kPa)
- Temperature: 32°F to 190°F (0°C to 88°C)
- Mechanical life: 100,000 cycles
- Pressure media: Air or fluids compatible with PBT (Polybutylene Terephthalate) and EPDM.
- Pressure Connection: 1/8 npt - integral plastic fitting/mounting pan.

MOUNTING


Sealing: 1/8 npt fitting is designed to seal without the use of thread sealants. However, it is recommended to use standard sealants to ensure a leak-free joint. Teflon tape, pipe dope, and RTV silicone rubber sealants are all compatible with the plastic resin used to mold the pan/fitting.

Tightening: Thread the switch into the heater plate, pipe coupling, etc. until finger-tight (snug). Tighten the switch three (3) turns past finger-tight, which will provide approximately 10 to 14 in-lbs tightening torque. Up to one (1) additional turn is acceptable for proper terminal positioning.

CAUTION: (HAND TIGHTEN ONLY) Do not use wrenches, adjustable pliers, etc. Tool assisted tightening may damage the tapered pipe threads and will void warranty.



STYLE NO. K30F

					DO NOT SCALE DRAWING		UNLESS OTHERWISE SPECIFIED		CONFIDENTIAL AND PROPRIETARY		 7745 METRIC DRIVE MENTOR, OHIO		
					MATERIAL:		1) DIMENSIONS ARE IN INCHES/MILLIMETERS. 2) DIMENSIONS ARE NOMINAL AND ARE FOR REFERENCE ONLY.		THIS PRINT IS THE EXCLUSIVE PROPERTY OF TECMARK CORPORATION AND CANNOT BE REPRODUCED IN WHOLE OR IN PART OR ISSUED OR DISCLOSED TO THIRD PARTIES WITHOUT THE EXPRESSED WRITTEN CONSENT OF TECMARK CORPORATION.			NAME:	
B	14010	ADDED '.032 THICK' TO CONNECTION NOTE	07/03/02	KJN	FINISH:		SUPERSEDES:		DRAWN BY:		CHECKED BY:	APPROVED BY:	PART NUMBER:
A	13845	RELEASE TO SALES	04/17/01	K.J.N.			XR5100-4 REV.A		NISHIZAKI		KAN	ADc	BS-4037P
LET.	EN #	DESCRIPTION	DATE	BY	MAKE FROM:		SCALE:		DATE:		DATE:	DATE:	
							NTS		04/17/01		7/3/02	7/10/02	

