

SPECIFICATIONS: MODEL 4152P-DD

ELECTRICAL

- Switch: Single pole, normally open (SPNO)
- (B) Connection: .250 x .032 thick (6.35 x .813 mm) male quick connect
- Rating: Ratings below are @ 190° F (88°C) for 100,000 cycles

- 62 VA pilot duty @ 24 VAC
- 120 VA pilot duty @ 120 VAC
- 240 VA pilot duty @ 240 VAC

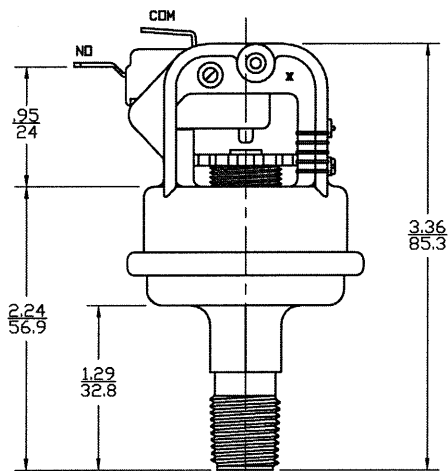
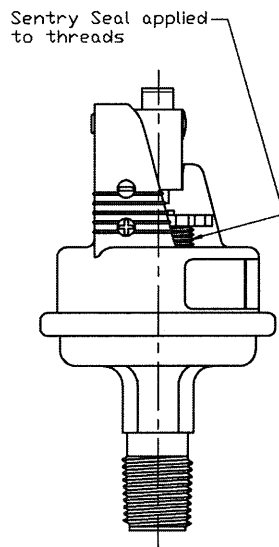
MECHANICAL

- Pressure setpoint: Factory calibrated to change contacts on pressure fall @ 1.5 ± .50 psig (10.4 ± 3.5 kPa)
- Pressure range: 1 to 6 psig (6.9 to 41 kPa) on pressure rise or pressure fall
- Operating pressure, max: 50 psig (345 kPa)
- Temperature: 32°F to 190°F (0°C to 88°C)
- Mechanical life: 100,000 cycles
- Pressure media: Air or fluids compatible with PBT (Polybutylene Terephthalate) and EPDM
- Pressure Connection: 1/4 npt - integral plastic fitting/mounting pan.


MOUNTING

- Sealing: 1/4 npt fitting is designed to seal without the use of thread sealants. However, it is recommended to use standard sealants to ensure a leak-free joint. Teflon tape, pipe dope, and RTV silicone rubber sealants are all compatible with the plastic resin used to mold the pan/fitting.
- Tightening: Thread the switch into the heater plate, pipe coupling, etc. until finger-tight (snug). Tighten the switch two (2) turns past finger-tight, which will provide approximately 10 to 14 in-lbs tightening torque. Up to one (1) additional turn is acceptable for proper terminal positioning.

Caution: Hand tightening is recommended. If tool assist is needed, use only a 9/16" (14.3 mm) open end wrench and do not exceed the tightening torque specified above. Do not use adjustable wrenches or pliers to aid in tightening. Excessive tightening may damage tapered pipe threads and will void warranty.



STYLE NO. K30F

					DO NOT SCALE DRAWING	UNLESS OTHERWISE SPECIFIED	CONFIDENTIAL AND PROPRIETARY				
					MATERIAL:	THIS PRINT IS THE EXCLUSIVE PROPERTY OF TECMARK CORPORATION AND CANNOT BE REPRODUCED IN WHOLE OR IN PART OR ISSUED OR DISCLOSED TO THIRD PARTIES WITHOUT THE EXPRESSED WRITTEN CONSENT OF TECMARK CORPORATION.		 7745 METRIC DRIVE MENTOR, OHIO			
					FINISH:	1) DIMENSIONS ARE IN INCHES/MILLIMETERS. 2) DIMENSIONS ARE NOMINAL AND ARE FOR REFERENCE ONLY.			NAME: 4000 SERIES SPECIFICATION SHEET		
B	14010	ADDED '.032 THICK' TO CONNECTION NOTE	07/03/02	KJN		SUPERSEDES: BS-XR5100-2 REV.A	E.R. NUMBER: 82343	DRAWN BY: NISHIZAKI	CHECKED BY: KJN	APPROVED BY: ASK	PART NUMBER: BS-4152P-DD
A	13849	RELEASE TO SALES	04/20/01	K.J.N.		SCALE: NTS	DATE: 04/20/01	DATE: 7/3/02	DATE: 7/03/02		
LET.	EN #	DESCRIPTION	DATE	BY	MAKE FROM:						