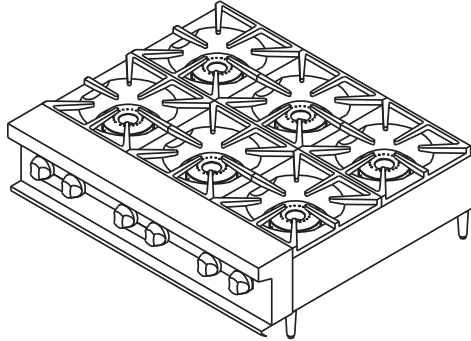
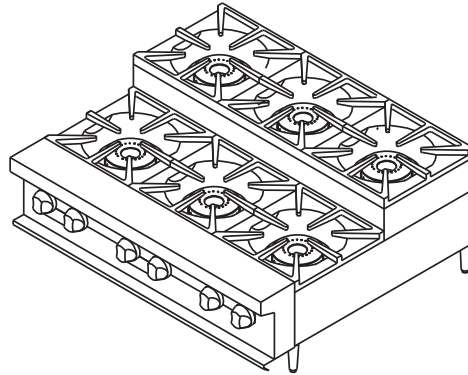


**THERMA****TEK COUNTER SERIES**  
commercial cooking solutions

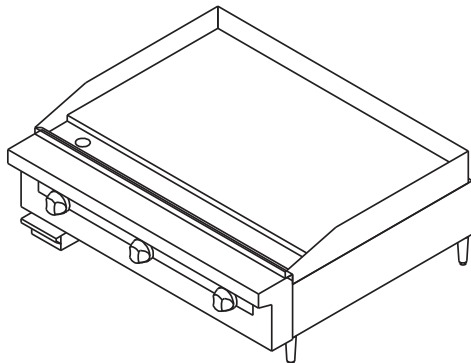
**OWNERS MANUAL AND INSTALLATION INSTRUCTIONS**



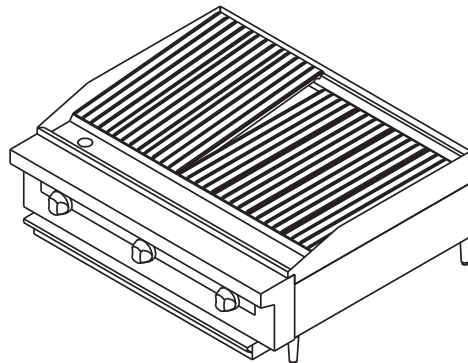
MODEL # TC36-6 (shown)



MODEL # TCHP36SU-6 (shown)



MODEL # TC36G (shown)



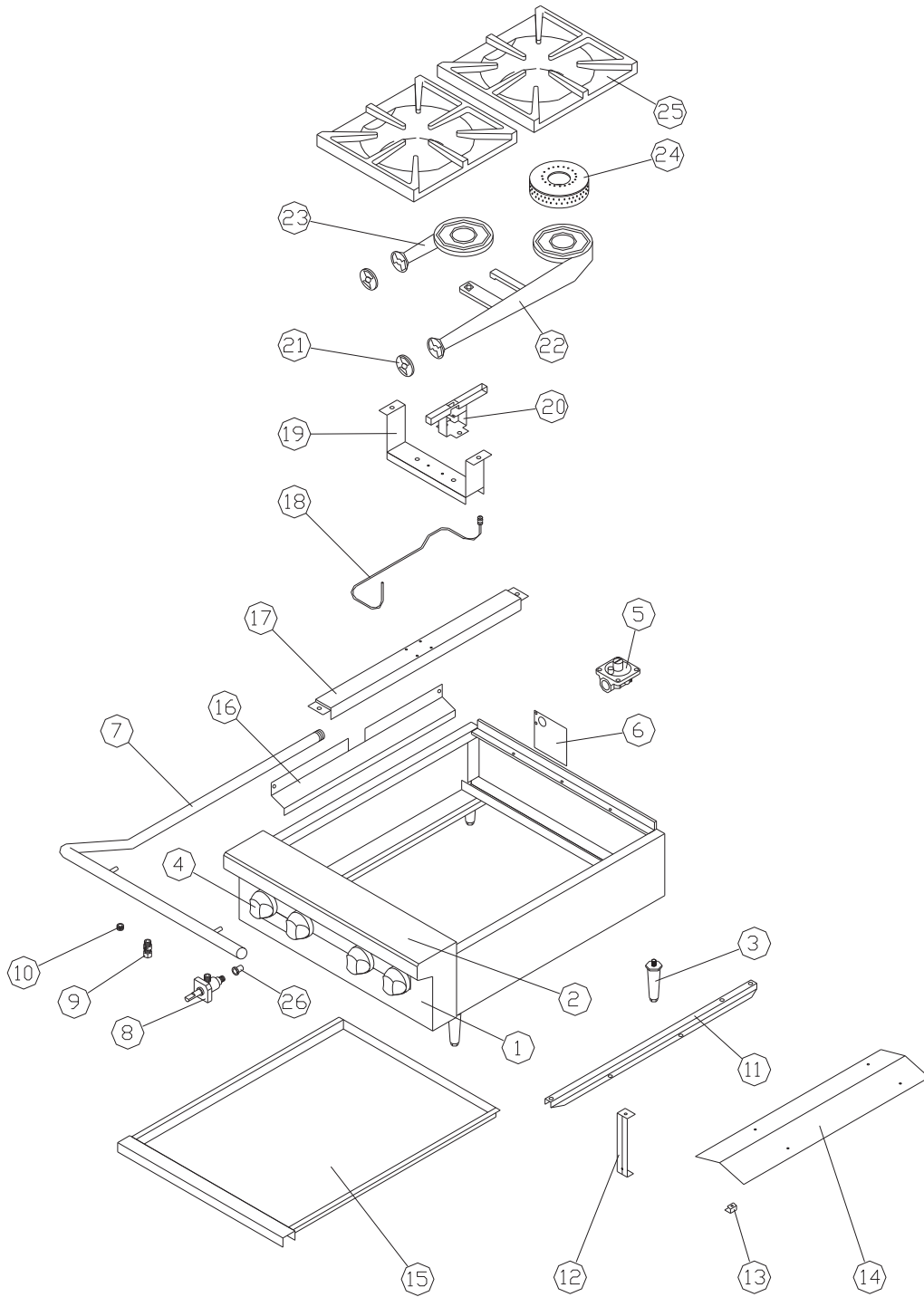
MODEL # TC36RB (shown)



Made in U.S.A

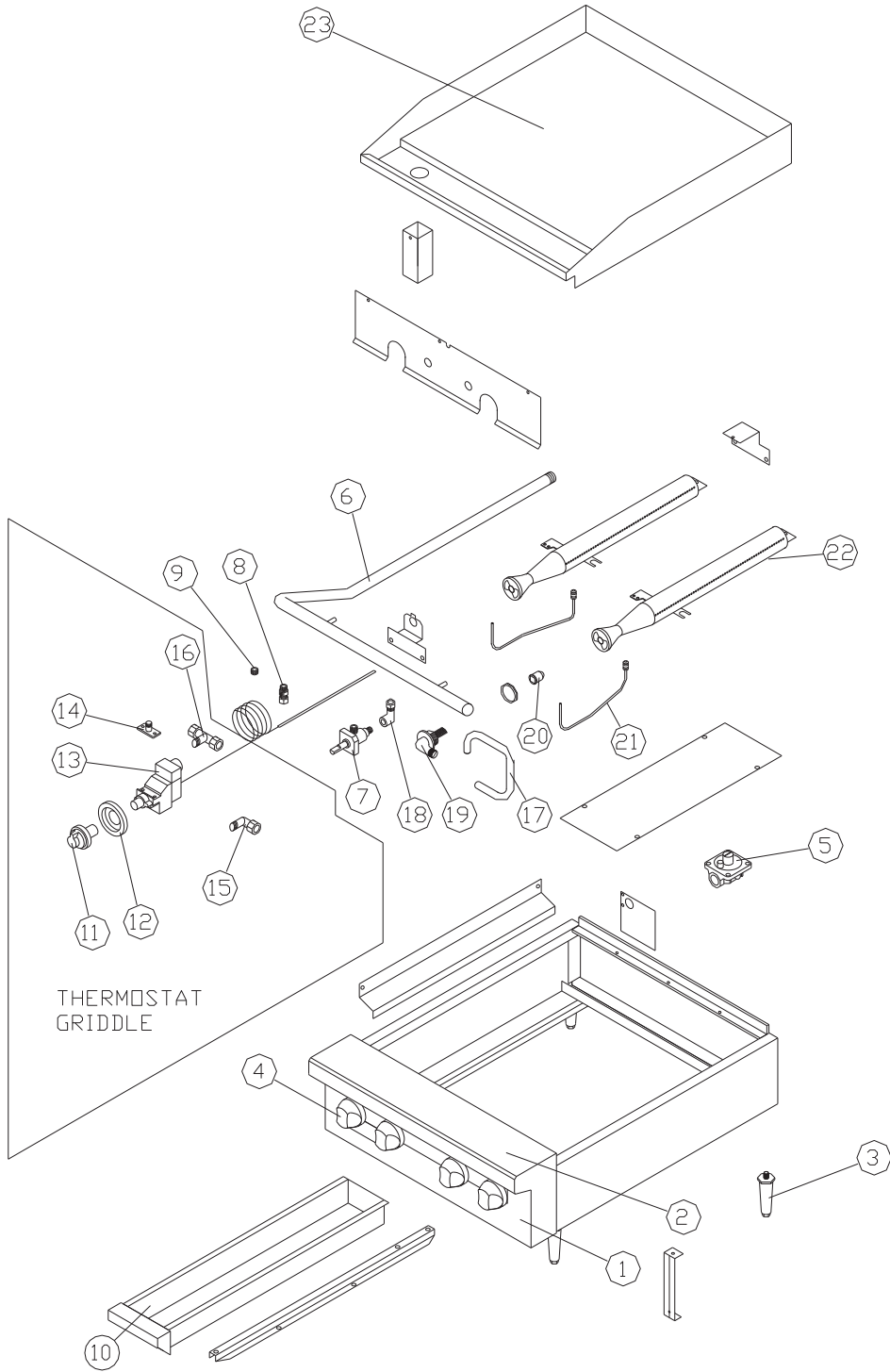
**THERMA****TEK**  
commercial cooking solutions

# HOT PLATE (Counter Series)



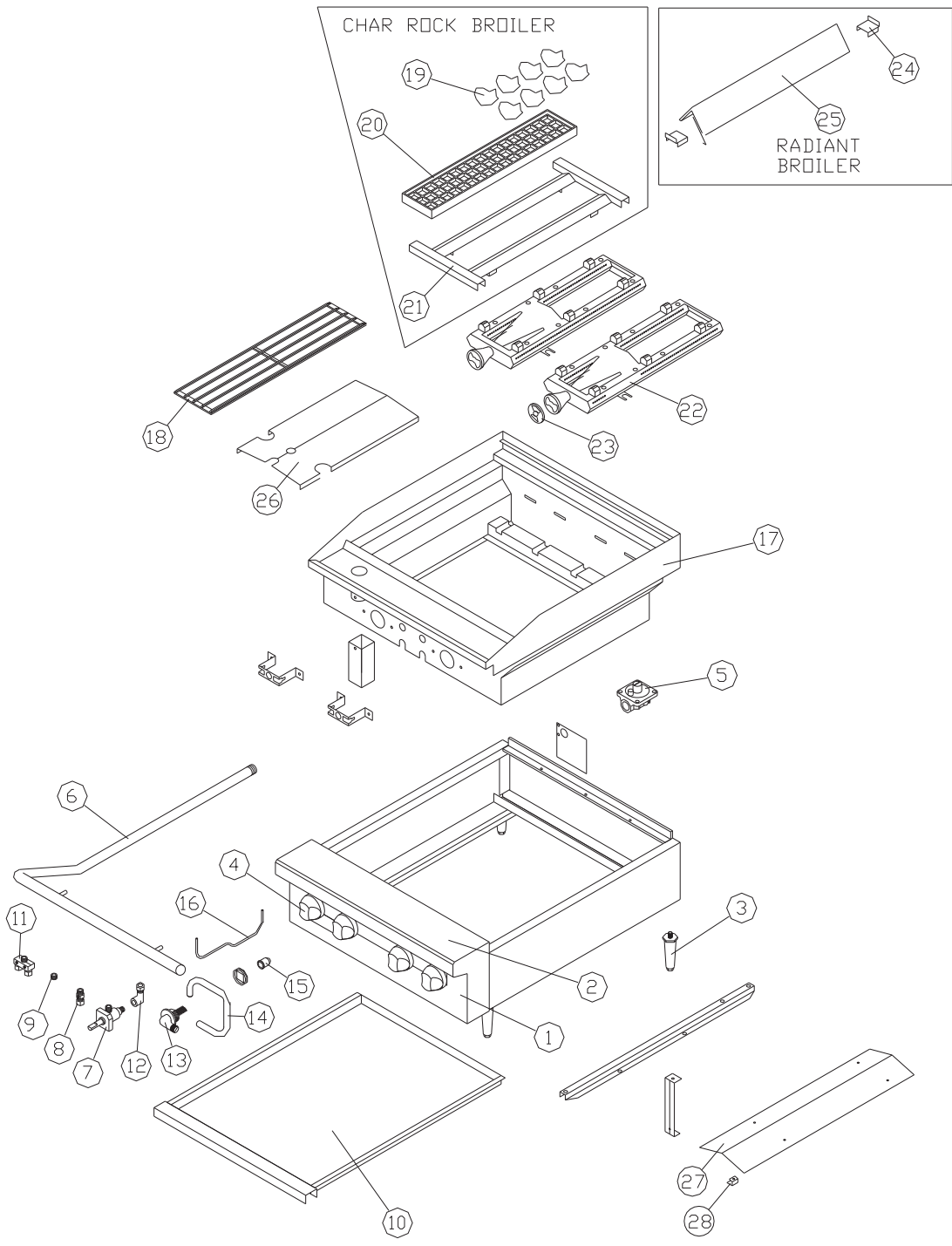
Item Number	Part No.	Description	Qty Required					
			12"	24"	36"	48"	60"	72"
1	31038-01	Front Panel 12"	1					
	31038-02	Front Panel 24"		1				
	31038-03	Front Panel 36"			1			
	31038-04	Front Panel 48"				1		
	31038-05	Front Panel 60"					1	
	31038-06	Front Panel 72"						1
2	30103-01	Front Rail W/A 12"	1					
	30103-02	Front Rail W/A 24"		1				
	30103-03	Front Rail W/A 36"			1			
	30103-04	Front Rail W/A 48"				1		
	30103-05	Front Rail W/A 60"					1	
	30103-06	Front Rail W/A 72"						1
3	80034	4" leg	4	4	4	4	6	6
4	80000	Plastic Knob	2	4	6	8	10	12
5	80026-01	Regulator 5" Nat	1	1	1	1	1	1
	80026-02	Regulator 10" LP	1	1	1	1	1	1
6	30192	Tailpipe Bracket	1	1	1	1	1	1
7	81021-01	Manifold Pipe 12"	1					
	81021-02	Manifold Pipe 24"		1				
	81021-03	Manifold Pipe 36"			1			
	81021-04	Manifold Pipe 48"				1		
	81021-05	Manifold Pipe 60"					1	
	81021-06	Manifold Pipe 72"						1
8	80030	Manual Gas Valve	2	4	6	8	10	12
9	81018	Pilot Adjust Valve	1	2	3	4	5	6
10	81003-01	1/8 NPT Pipe Plug	1	1	3	3	3	5
11	30194	Drip Tray Slide				1	1	1
12	30193	Center Support Bracket				2	4	4
13	30200	Center Drip Shield Bracket				4	4	4
14	30199	Center Drip Shield				1	1	1
15	30195-01	12" Drip Tray	1					
	30195-02	24" Drip Tray		1		2		
	30195-03	36" Drip Tray			1			2
	30195-04	29 5/8" Drip Tray					1	
	30195-05	23 1/2" Drip Tray					1	
16	30197	Drip Shield	1	1	1	1	1	1
17	30196	Grate Support		1	2	3	4	5
18	90002	Open Top Pilot Assy	1	2	3	4	5	6
19	30102	Burner Rest	1	2	3	4	5	6
20	30473	Open Top Pilot Tube W/A	1	2	3	4	5	6
21	80029-01	Air Shutter	2	4	6	8	10	12
22	82049	Rear Venturi	1	2	3	4	5	6
23	82048	Front Venturi	1	2	3	4	5	6
24	82000	Burner Head	2	4	6	8	10	12
25	82051	Top Grate	2	4	6	8	10	12
26	81022-40	Orifice Drill #40 (Nat)	2	4	6	8	10	12
	81022-53	Orifice Drill #53 (LP)	2	4	6	8	10	12

# GRIDDLE (Counter Series)



Item Number	Part No.	Description	Qty Required					
			12"	24"	36"	48"	60"	72"
1	31038-01	Front Panel 12"	1					
	31038-02	Front Panel 24"		1				
	31038-03	Front Panel 36"			1			
	31038-04	Front Panel 48"				1		
	31038-05	Front Panel 60"					1	
	31038-06	Front Panel 72"						1
2	30103-01	Front Rail W/A 12"	1					
	30103-02	Front Rail W/A 24"		1				
	30103-03	Front Rail W/A 36"			1			
	30103-04	Front Rail W/A 48"				1		
	30103-05	Front Rail W/A 60"					1	
	30103-06	Front Rail W/A 72"						1
3	80034	4" leg	4	4	4	4	6	6
4	80000	Plastic Knob	1	2	3	4	5	6
5	80026-01	Regulator 5" Nat	1	1	1	1	1	1
	80026-02	Regulator 10" LP	1	1	1	1	1	1
6	81021-01	Manifold Pipe 12"	1					
	81021-02	Manifold Pipe 24"		1				
	81021-03	Manifold Pipe 36"			1			
	81021-04	Manifold Pipe 48"				1		
	81021-05	Manifold Pipe 60"					1	
	81021-06	Manifold Pipe 72"						1
7	80030	Manual Gas Valve	1	2	3	4	5	6
8	81018	Pilot Adjust Valve	1	2	3	4	5	6
9	81003-01	1/8 NPT Pipe Plug	1	1	3	3	3	5
10	30221	Griddle Bucket	1	1	1	1	2	2
11	80015-01	BJ Thermostat Knob Griddle	1	1	2	2	3	3
12	80014	BJ Bezel	1	1	2	2	3	3
13	80017-01	BJWA Griddle Thermostat	1	1	2	2	3	3
14	80019	TEE Thermostat	1	1	2	2	3	3
15	81015	90 Elbow 3/8 CC x 1/4 NPT	1		1		1	
16	81027	TEE 3/8 CC 1/4 NPT			1	2	3	3
17	90013	3/8 x 8 Flexible Gas Tubing	1	2	3	4	5	6
18	81014	Elbow 3/8 TOD-3/8-27 UNS	1	2	3	4	5	6
19	81016-01	Orifice Elbow 3/8-27 x 3/8CC	1	2	3	4	5	6
20	81022-39	Orifice Drill #39 (Nat)	1	2	3	4	5	6
	81022-52	Orifice Drill #52 (LP)	1	2	3	4	5	6
21	90038	Pilot Tip Assy 3/16 x 12.5 Lg	1	2	3	4	5	6
22	80022	Burner Assembly	1	1	2	3	3	3
23	30215-01	Griddle W/A 12"	1					
	30215-02	Griddle W/A 24"		1				
	30215-03	Griddle W/A 36"			1			
	30215-04	Griddle W/A 48"				1		
	30215-05	Griddle W/A 60"					1	
	30215-06	Griddle W/A 72"						1
	30215-07	Thermostat Griddle W/A 12"	1					
	30215-08	Thermostat Griddle W/A 24"		1				
	30215-09	Thermostat Griddle W/A 36"			1			
	30215-10	Thermostat Griddle W/A 48"				1		
	30215-11	Thermostat Griddle W/A 60"					1	
	30215-12	Thermostat Griddle W/A 72"						1

# BROILER (Counter Series)



Item Number	Part No.	Description	Qty Required					
			12"	24"	36"	48"	60"	72"
1	31038-01	Front Panel 12"	1					
	31038-02	Front Panel 24"		1				
	31038-03	Front Panel 36"			1			
	31038-04	Front Panel 48"				1		
	31038-05	Front Panel 60"					1	
	31038-06	Front Panel 72"						1
2	30103-01	Front Rail W/A 12"	1					
	30103-02	Front Rail W/A 24"		1				
	30103-03	Front Rail W/A 36"			1			
	30103-04	Front Rail W/A 48"				1		
	30103-05	Front Rail W/A 60"					1	
	30103-06	Front Rail W/A 72"						1
3	80034	4" leg	4	4	4	4	6	6
4	80000	Plastic Knob	2	4	6	8	10	12
5	80026-01	Regulator 5" Nat	1	1	1	1	1	1
	80026-02	Regulator 10" LP	1	1	1	1	1	1
6	81021-01	Manifold Pipe 12"	1					
	81021-02	Manifold Pipe 24"		1				
	81021-03	Manifold Pipe 36"			1			
	81021-04	Manifold Pipe 48"				1		
	81021-05	Manifold Pipe 60"					1	
	81021-06	Manifold Pipe 72"						1
7	80030	Manual Gas Valve	1	2	3	4	5	6
8	81018	Pilot Adjust Valve	1	2	3	4	5	6
9	81003-01	1/8 NPT Pipe Plug	1	4	6	8	11	13
10	30195-01	12" Drip Tray	1					
	30195-02	24" Drip Tray		1		2	1	
	30195-03	36" Drip Tray			1		1	2
	30195-04	29 5/8" Drip Tray					1	
	30195-05	23 1/2" Drip Tray						1
11	81026	Pilot Valve TEE 3/16	1					
12	81014	Elbow 3/8 TOD-3/8-27 UNS	1	2	3	4	5	6
13	81016-01	Orifice Elbow 3/8-27 x 3/8 CC	1	2	3	4	5	6
14	90013	3/8"x 8 Flexible Gas Tubing	1	1	2	2	3	3
15	81022-39	Orifice Drill #39 (Nat)	1	2	3	4	5	6
	81022-52	Orifice Drill #52 (LP)	1	2	3	4	5	6
16	90038	Pilot Tip Assy 3/16 x 12.5 Lg	1	2	3	4	5	6
17	30253-01	Broiler Top W/A 12"	1					
	30253-02	Broiler Top W/A 24"		1				
	30253-03	Broiler Top W/A 36"			1			
	30253-04	Broiler Top W/A 48"				1		
	30253-05	Broiler Top W/A 60"					1	
	30253-06	Broiler Top W/A 72"						1
18	82011	Grate Broiler	3	5	7	10	12	15
19	82015	Lava Rock	1	2	3	4	5	6
20	82008	Waffle Grate Broiler	2	5	8	11	14	17
21	30254	Waffle Grate Support	1	2	3	4	5	6
22	30522	Burner Assembly		1	1	2	3	2
23	80029-02	Air Shutter H Burner	1	2	3	4	5	6
24	30255	Radiant Support Bracket	4	8	12	16	20	24
25	82007	Broiler Radiant	2	4	6	8	10	12
26	30242-01	Broiler Heat Shield 12"	1					
	30242-02	Broiler Heat Shield		2	3	4	5	6
27	30199-01	Center Drip Shield 48+				1	1	1
28	30200	Center Drip Shield Bracket				4	4	4