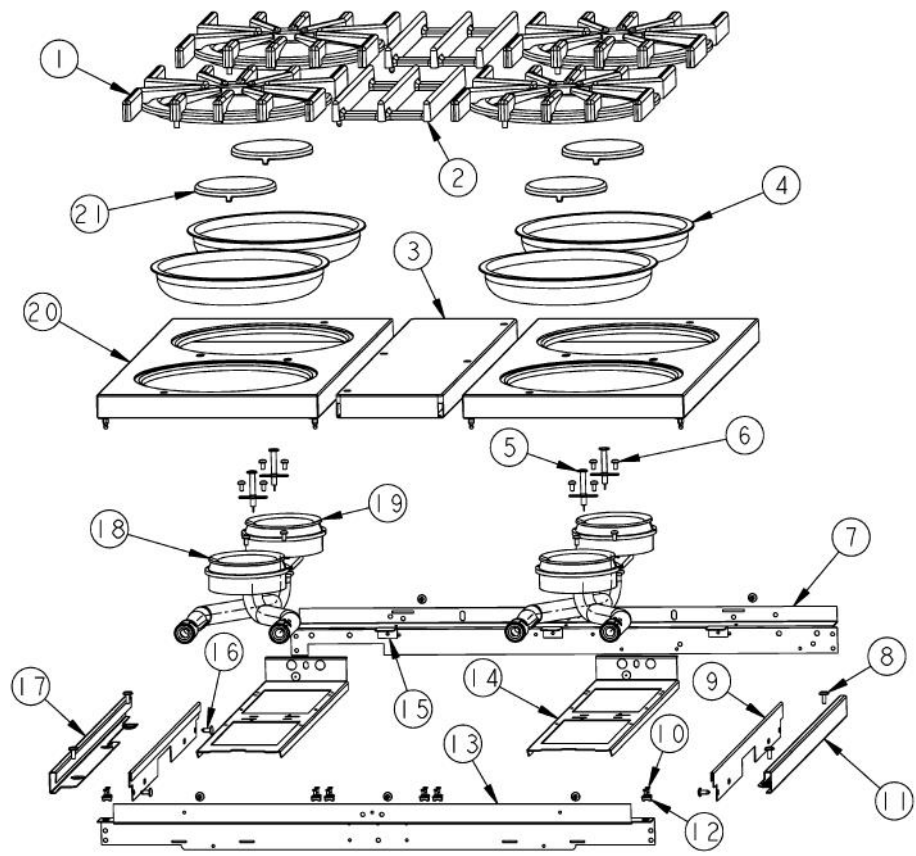
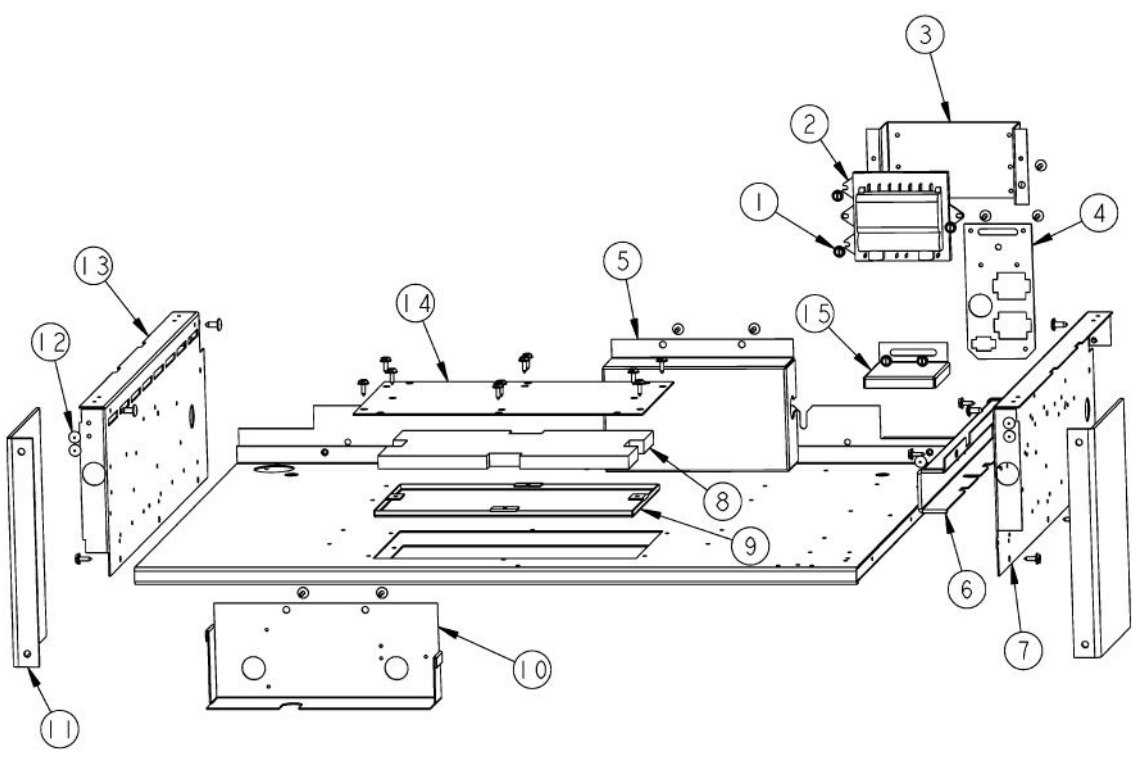


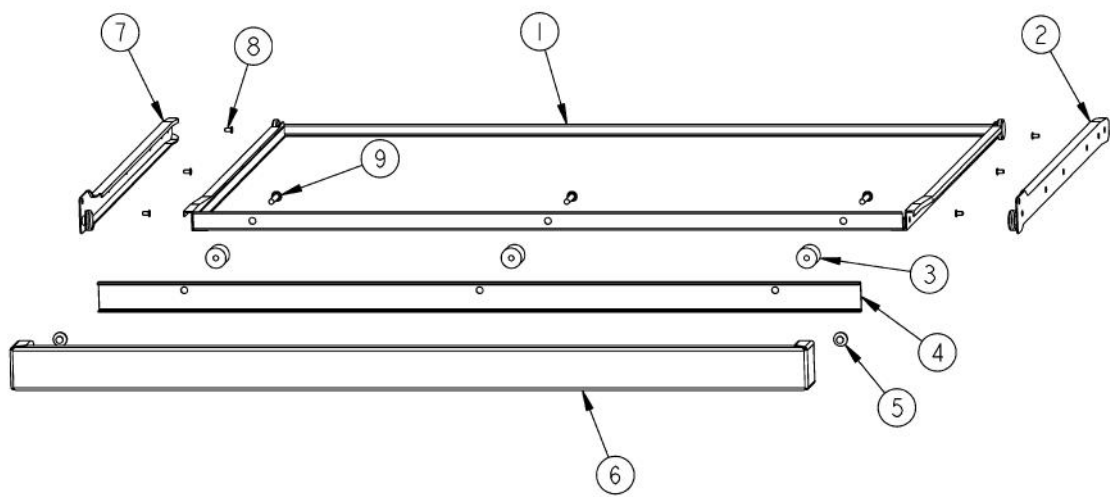
Ref #	Part Number	Qty.	Description
1	G3001406		LANDING LEDGE ASSY
2	PD030005		SELF RETAINING NUT
3	PA070001		PRESSURE REGULATOR (NAT.)
4	PA050113		MANIFOLD
5	PA020045		IGNITOR SWITCH
6	PA010157		SUB TO 003515-000 - RANGE TOP BURNER VALVE
7	PA010012		ROPER PLUG
8	PD010003		10-24 X 1/2 PH.TR.HD.SERD.M.S.
9	PD020002		10 X 1/2 PH.TR.HD.SMS.
10	A1001138		MANIFOLD BRKT
11	PD010012		VALVE BOLT 1/4-20 UNC-2B 5/16 M.S.
12	PJ030037		SUB TO PS500033 - SELF CLEAN THERMOSTAT
13	PD020032		SRW-8(A)X3/8PH.WFR HD 7/16DIAXNICL
14	PB010208		BEZEL, CHROME PLATE
	PB010209		BEZEL BRASS
15	PD020046		NO.8 X 1/2 SCREWS
16	PB010206		VGSC,VGRC,VGRT TOP BURNER KNOB(BK)
	PB010207		VGSC,VGRC,VGRT TOP BURNER KNOB(WH)
17	PD020006		NO.6-32 X 1/4 PH.PAN HD. T(F)
18	PB010129		THERMOSTAT KNOB XBKX (VDSC)
	PB010130		THERMOSTAT KNOB XWHX (VDSC)
19	PD020044		NO.8-32 X 1/4 PH. TR. HD. M.S.
20	PB010230		OVEN SELECT. KNOBXBKX VDSC307
	PB010231		OVEN SELECT. KNOBXWHX VDSC307
21	PE050016		OVEN LIGHT SWITCH - XBKX (WES-GAR)
	PE050017		OVEN LIGHT SWITCH - XWHX (WES-GAR)
22	B92010453		CONTROL PANEL -VDSC30
23	PE050023		OVEN IND. LIGHT (LENS & BEZEL)
24	PE050024		OVEN IND. LIGHT (LIGHT HOUSING)
25	PJ030001		SELECTOR SWITCH (8-POSITION) VDSC



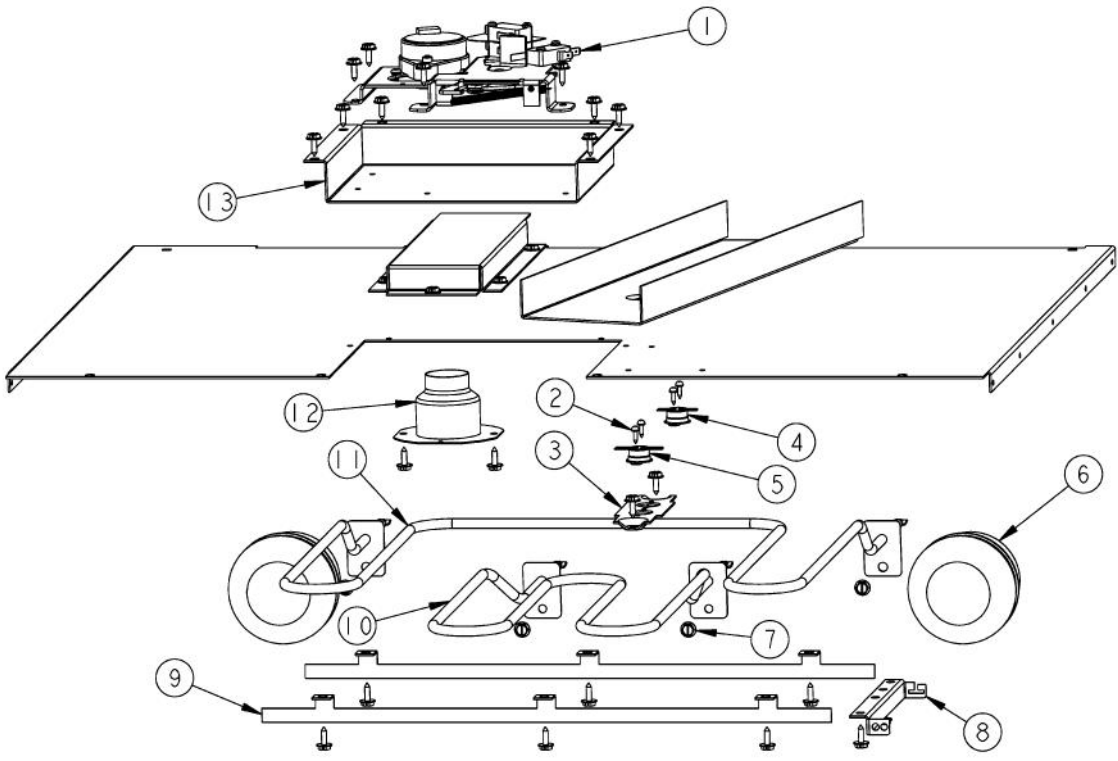
Ref #	Part Number	Qty.	Description
1	PA060037		GRATE BK REPL PA060024 (GEN.NO.2)
	PA060038		GRAY GRATES
2	PA060049		CENTER GRATE - MATT BK
	PA060050		CENTER GRATE - MATT GRAY
3	E9104416AL		CENTER GRATE SUPPORT - AL
	E9104416BK		CENTER SPACER (VGSC306) XBKX
	E9104416BT		CENTER GRATE SUPPORT - BT
	E9104416CB		CENTER SPACER (VGSC306) XCBX
	E9104416EP		CENTER GRATE SUPPORT - EP
	E9104416FG		CENTER GRATE SUPPORT - FG
	E9104416GG		CENTER GRATE SUPPORT - GG
	E9104416LE		CENTER GRATE SUPPORT - LE
	E9104416MJ		CENTER GRATE SUPPORT - MJ
	E9104416SG		CENTER GRATE SUPPORT - SG
	E9104416VB		CENTER GRATE SUPPORT - VB
	E9104416WH		CENTER SPACER (VGSC306) XWHX
4	PA030002AL		BURNER BOWL - AL
	PA030002BK		BURNER BOWL (VGRT) XXBKXX
	PA030002BT		BURNER BOWL - BT
	PA030002CB		BURNER BOWL - CB
	PA030002EP		BURNER BOWL - EP
	PA030002FG		BURNER BOWL - FG
	PA030002GG		BURNER BOWL - GG
	PA030002LE		BURNER BOWL - LE
	PA030002MJ		BURNER BOWL (VGRT) XXMJXX
	PA030002SG		BURNER BOWL - SG
	PA030002VB		BURNER BOWL (VGRT) XXVBXX
	PA030002WH		BURNER BOWL (VGRT) XXWHXX
5	PA020028		SPARK IGNITER
6	PD020004		10X3/8PH.HD.TYPE 25 REPL PD040125
7	A2002364		REAR BURNER SUPT VGSC/SS30
8	PD020033		SRW-NO.10-24X1/2T(23)PH.WFR HD (NKL)
9	A2002343		GRATE SUPT HEAT SHIELD (VGR)
10	PC040010		POP RIVET
11	B2002345		SIDE TRIM - RH (VGSS)
	C9302345BR		SIDE TRIM - RH (VGSS) XBRX
12	PD010016		BALL STUD FASTEN
13	A2001404		FRONT BURNER HOLDER (VGSS)
14	A2001112		BURNER SUPT (VGRT)
15	A2001147		GRATE SUPT ANGLE (VGRT)
16	PD020002		10 X 1/2 PH.TR.HD.SMS.
17	B2002346		SIDE TRIM - LH (VGSS)
	C9302346BR		SIDE TRIM - LH (VGSS) XBRX
18	PA080037		TOP BURNER FRONT REPL PA080007
19	PA080036		TOP BURNER REAR REPL PA080008
20	G50013584AL		GRATE SUPPORT KIT - AL
	G50013584BK		GRATE SUPPORT SERVICE KIT (BK)
	G50013584BT		GRATE SUPPORT SERVICE KIT (BT) - NLA
	G50013584CB		GRATE SUPPORT KIT - CB
	G50013584EP		GRATE SUPPORT KIT - EP
	G50013584FG		GRATE SUPPORT KIT - FG
	G50013584GG		GRATE SUPPORT KIT - GG
	G50013584LE		GRATE SUPPORT KIT - LE
	G50013584MJ		GRATE SUPPORT KIT - MJ
	G50013584SG		GRATE SUPPORT KIT - SG
	G50013584VB		GRATE SUPPORT KIT - VB
	G50013584WH		GRATE SUPPORT SERVICE KIT (WH)
21	PA080015		BURNER CAP-VGRT XBKX
	PA080016		BURNER CAP-VGRT (GRAY-MATT)



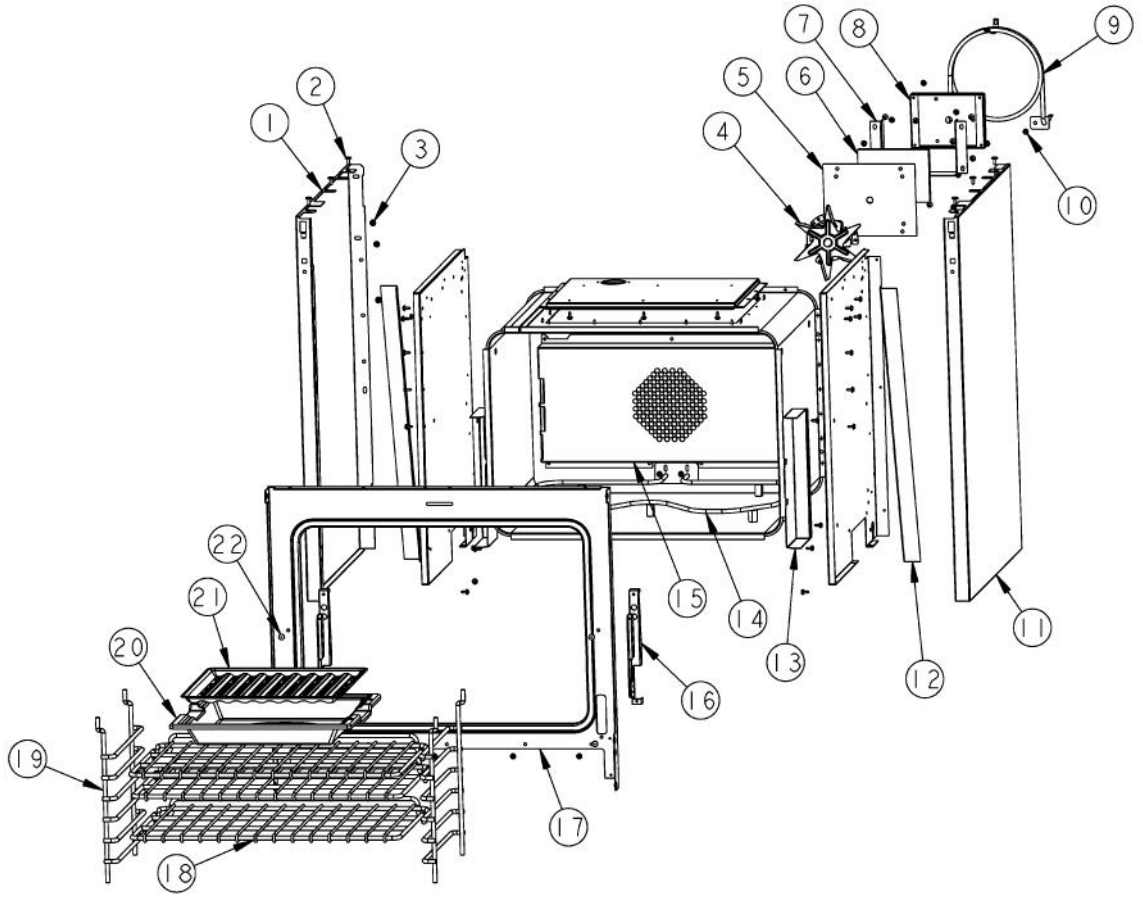
Ref #	Part Number	Qty.	Description
1	PD020003		NO.10 X 1/2 T(A) HEX WASHER HEAD
2	PA020047		INVENSYS 0+4 RE-IGNITION SPARK MODULE
3	A2002493		SPARK MODULE PLATE (VDSC)
4	A10016219		TERMINAL BLOCK BRACKET
5	A20016218		CONTROL PANEL ELECTRIC SHIELD COVER
6	A2000210		WIRE CHANNEL
7	A2002490		BURNER BOX SIDE RH (VDSC)
8	PB070268		DOOR LOCK BOX INSULATION
9	A20011246		VDSC487 DOOR LOCK INSUL. BOX
10	A2002323		CTRL PAN ELECT. SHIELD (VDSC)
11	J2002593		OVEN SIDE HEAT SINK
12	PD020002		10 X 1/2 PH.TR.HD.SMS.
13	A2002491		BURNER BOX SIDE LH (VDSC)
14	A1006344		DOOR LOCK ACCESS PANEL 48
15	A20015430		OUTLET SHIELD



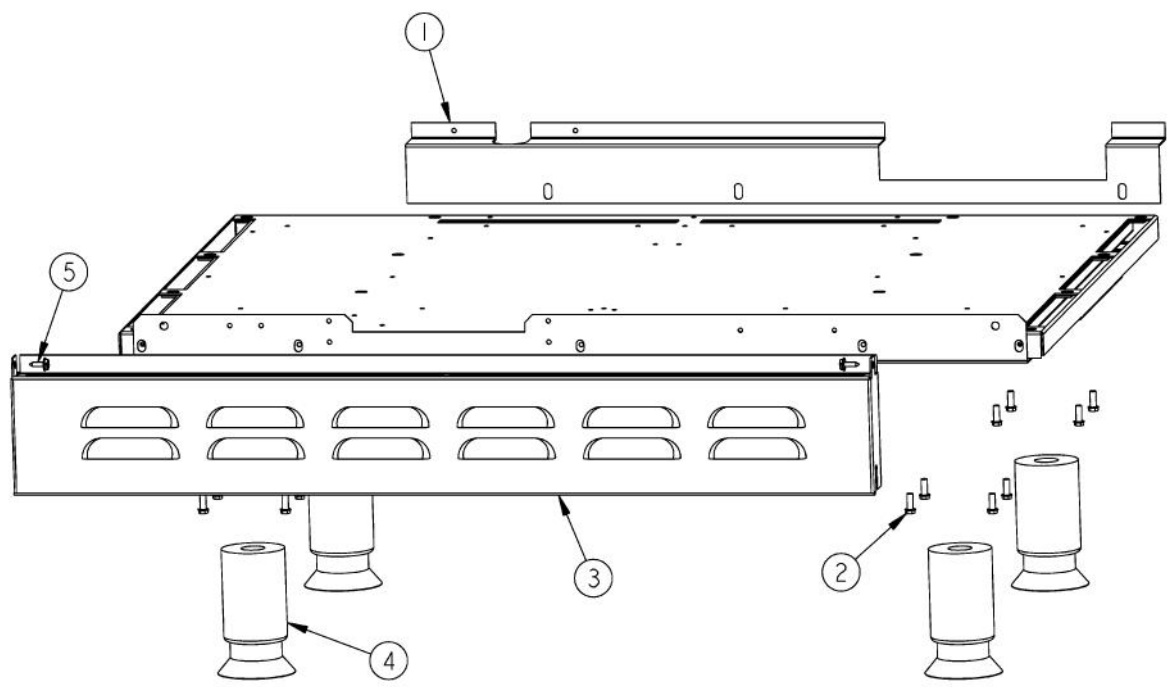
Ref #	Part Number	Qty.	Description
1	G30010454		30 DRIP TRAY ASSY
2	PK000008		DRIP TRAY GUIDE - RH
3	PD040028		BUSHING(.194ID/.750OD/.750LONG)
4	A20010691		DRIP TRAY HANDLE BACK 30
5	PD040004		GROMMET BUMPER
6	G30010695		DRIP TRAY HANDLE ASSY 30
	G93011458PVD		DRIP TRAY HANDLE ASSY 30 PVD
7	PK000007		DRIP TRAY GUIDE - LH (VGRT)
8	PC040010		POP RIVET
9	PD020079		NO.10 X 1 1/4 PH. PAN HD. T(A) NYLOK



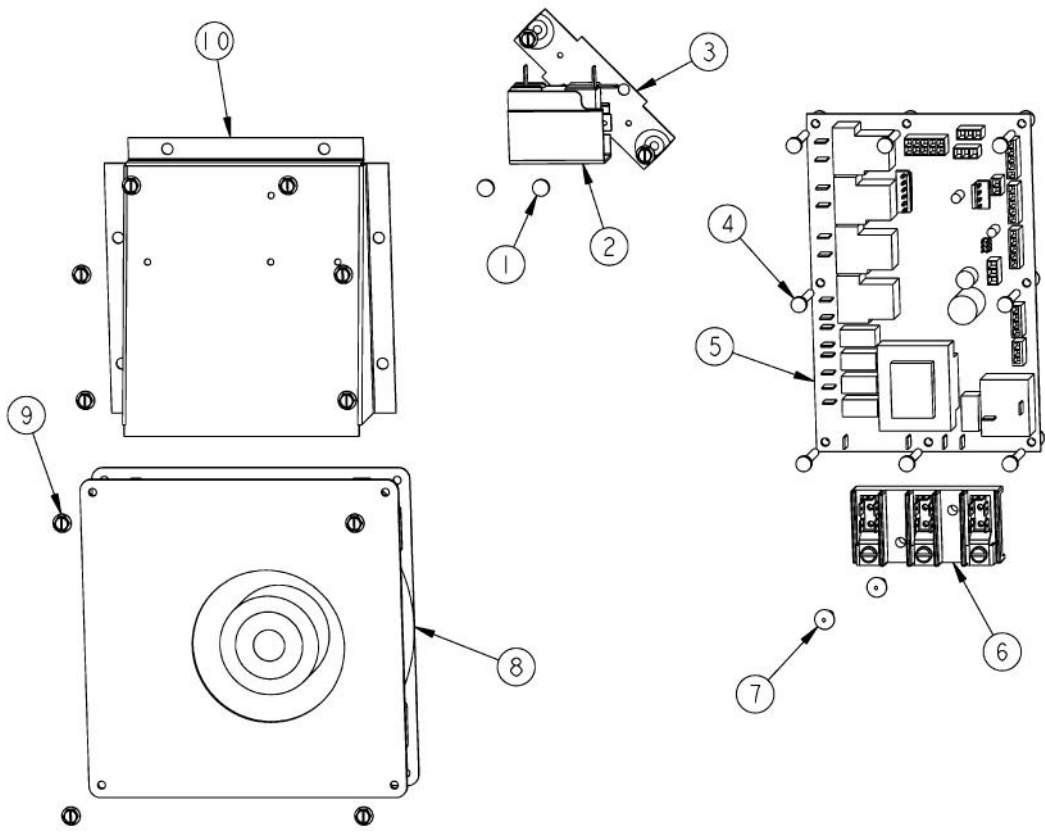
Ref #	Part Number	Qty.	Description
1	PE050053		DR LATCH REPL PE050020
2	PD020013		TYPE AB NO.6 X 3/8 PH PAN HD. SMS
3	A10014918		THERMODISC BRACKET
4	PJ030006		SWITCH (COOLING FAN)
5	PJ030005		SWITCH (HIGH-LIMIT) VDSC
6	PE050009		OVEN LIGHT SOCKET - 36 BUILT-IN
7	PD020003		NO.10 X 1/2 T(A) HEX WASHER HEAD
8	B20012039		THERMAL BULB BRACKET
9	B20012072		BROILER ELEMENT BRACKET
10	PJ010001		BROIL ELEMENT 240V
11	PJ010002		BROIL ELEMENT(MAXI)-SIDE (VDSC)240V
12	PM010014		SMOKE ELIMINATOR (VDSC)
13	A2002168		DOOR LATCH BRKT (VDSC)
NI	A20015409		DOOR LOCK AIR DIVERTER



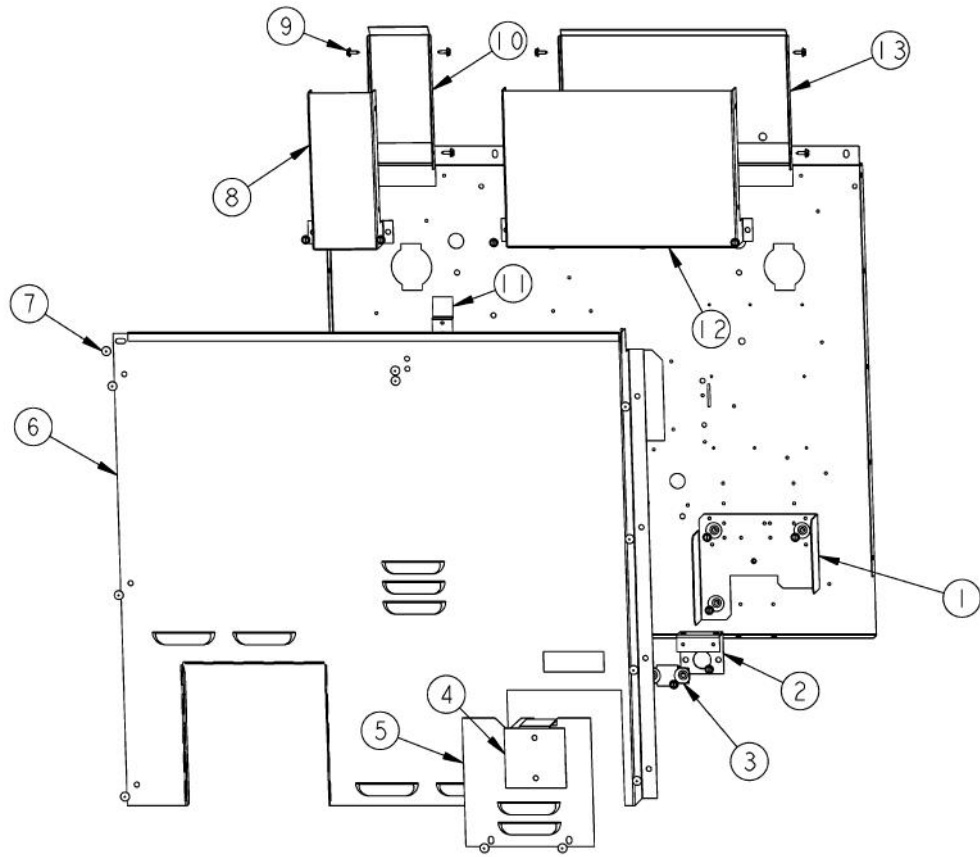
Ref #	Part Number	Qty.	Description
1	B2002598		O/S BODY PANEL LH (SS)
	C9002598AL		BODY PNL LH 30`REPL C9001922AL
	C9002598BK		BODY PNL LH 30`REPL C9001922BK
	C9002598BT		O/S BODY PANEL-LH XBTX (VDSC)
	C9002598BU		BODY PNL LH 30`REPL C9001922BU
	C9002598CB		O/S BODY PANEL-LH XCBX (VDSC)
	C9002598EP		O/S BODY PANEL-LH XEPX (VDSC)
	C9002598FG		BODY PNL LH 30`REPL C9001922FG
	C9002598GG		BODY PNL LH 30`REPL C9001922GG
	C9002598LE		O/S BODY PANEL-LH XLEX (VDSC)
	C9002598MJ		O/S BODY PANEL-LH XMJX (VDSC)
	C9002598SG		O/S BODY PANEL-LH XSGX (VDSC)
	C9002598VB		BODY PNL LH 30`REPL C9001922VB
	C9002598WH		BODY PNL LH 30`REPL C9001922WH
2	PD020033		SRW-NO.10-24X1/2T(23)PH.WFR HD (NKL)
3	PD020002		10 X 1/2 PH.TR.HD.SMS.
4	PE050005		CONVECTION FAN ASSY
5	A1002596		CONVECTION FAN COVER (VDSC)
6	PB070208		CONVECTION FAN INSULATION
7	A2008440		ALL SIDE FAN INSULATION SHIELD
8	A2002595		CONVECTION FAN BOX (VDSC)
9	PJ010003		CONVECTION ELEMENT (VDSC) 240V
10	PD020003		NO.10 X 1/2 T(A) HEX WASHER HEAD
11	B2002597		O/S BODY PANEL - RH (SS)
	C9002597AL		O/S BODY PANEL-RH XALX (VDSC)
	C9002597BK		BODY PNL RH BK REPL C9001921BK
	C9002597BT		O/S BODY PANEL-RH XBTX (VDSC)
	C9002597BU		BODY PNL RH BU REPL C9001921BU
	C9002597CB		O/S BODY PANEL-RH XCBX (VDSC)
	C9002597EP		O/S BODY PANEL-RH XEPX (VDSC)
	C9002597FG		BODY PNL RH FG REPL C9001921FG
	C9002597GG		BODY PNL RH GG REPL C9001921GG
	C9002597LE		O/S BODY PANEL-RH XLEX (VDSC)
	C9002597MJ		O/S BODY PANEL-RH XMJX (VDSC)
	C9002597SG		O/S BODY PANEL-RH XSGX (VDSC)
	C9002597VB		BODY PNL RH VB REPL C9001921VB
	C9002597WH		BODY PNL RH WH REPL C9001921WH
12	A2002475		SIDE PANEL DIVERTER (VDSC)
13	A2002183		HINGE INSULATION COVER (VDSC)
14	PJ010004		BAKE ELEMENT (VDSC) 240V
15	E9102170		CONVECTION FAN COVER
16	PC020009		HINGE ASSY (BROWN)
17	G9102743		OVEN FRONT FRAME ASSY (VDSC30)
18	PB060044		OVEN RK VDSC30/48RH REPL PB060019
19	PB060030		RACK SUPT REPL PB060010
20	E9107933		BROILER PAN
21	E9107934		BROILER PAN INSERT
22	PD020014		10X3/4 PH TR HD SMS



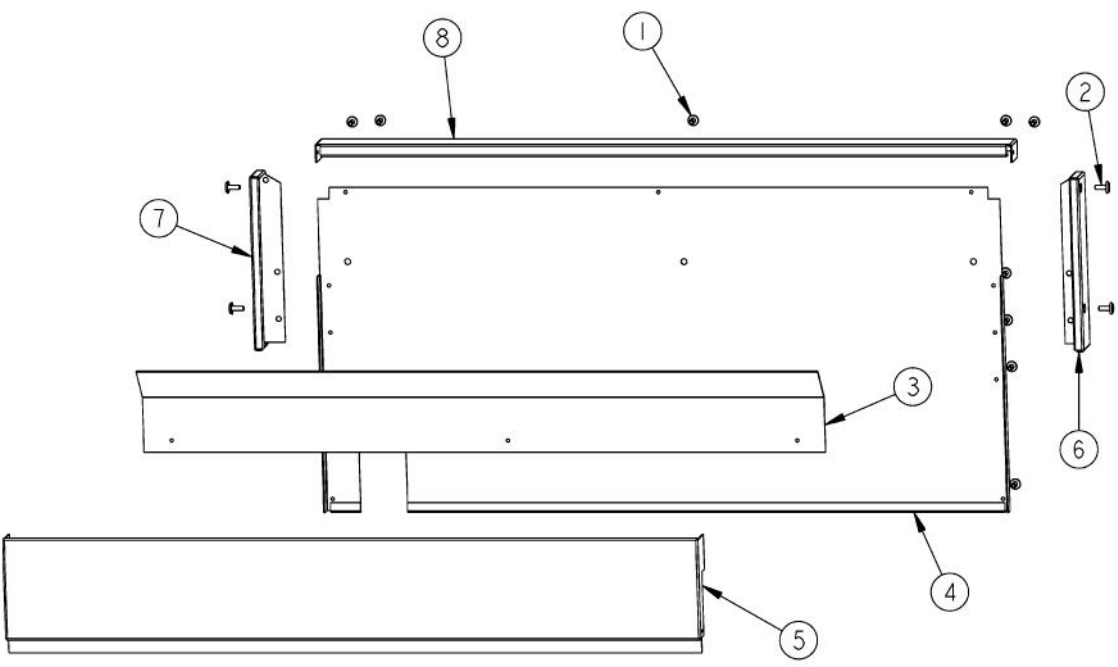
Ref #	Part Number	Qty.	Description
1	A2004294		LOWER BACK COVER (VDSC305)
2	PD020060		10 X 1/2 (5/16)HEX WSHER HD.(T)A
3	B2001815		LOWER ACC PAN - (VGRC605)
	C9001815AL		LOWER ACC PAN - XALX (VGRC605)
	C9001815BK		LOWER ACC PAN - XBKX (VGRC605)
	C9001815BT		LOWER ACC PAN - XBTX (VGRC605)
	C9001815BU		LOWER ACC PAN - XBUX (VGRC605)
	C9001815CB		LOWER ACC PAN - XCBX (VGRC605)
	C9001815EP		LOWER ACC PAN - XEPX (VGRC605)
	C9001815FG		LOWER ACC PAN - XFGX (VGRC605)
	C9001815GG		LOWER ACC PAN - XGGX (VGRC605)
	C9001815LE		LOWER ACC PAN - XLEX (VGRC605)
	C9001815MJ		LOWER ACC PAN - XMJX (VGRC605)
	C9001815SG		LOWER ACC PAN - XSGX (VGRC605)
	C9001815VB		LOWER ACC PAN - XVBX (VGRC605)
	C9001815WH		LOWER ACC PAN - XWHX (VGRC605)
4	PC030017		4 LEG ASSY
5	PD020003		NO.10 X 1/2 T(A) HEX WASHER HEAD
NI	19497-000	1	30 CURB BASE KIT



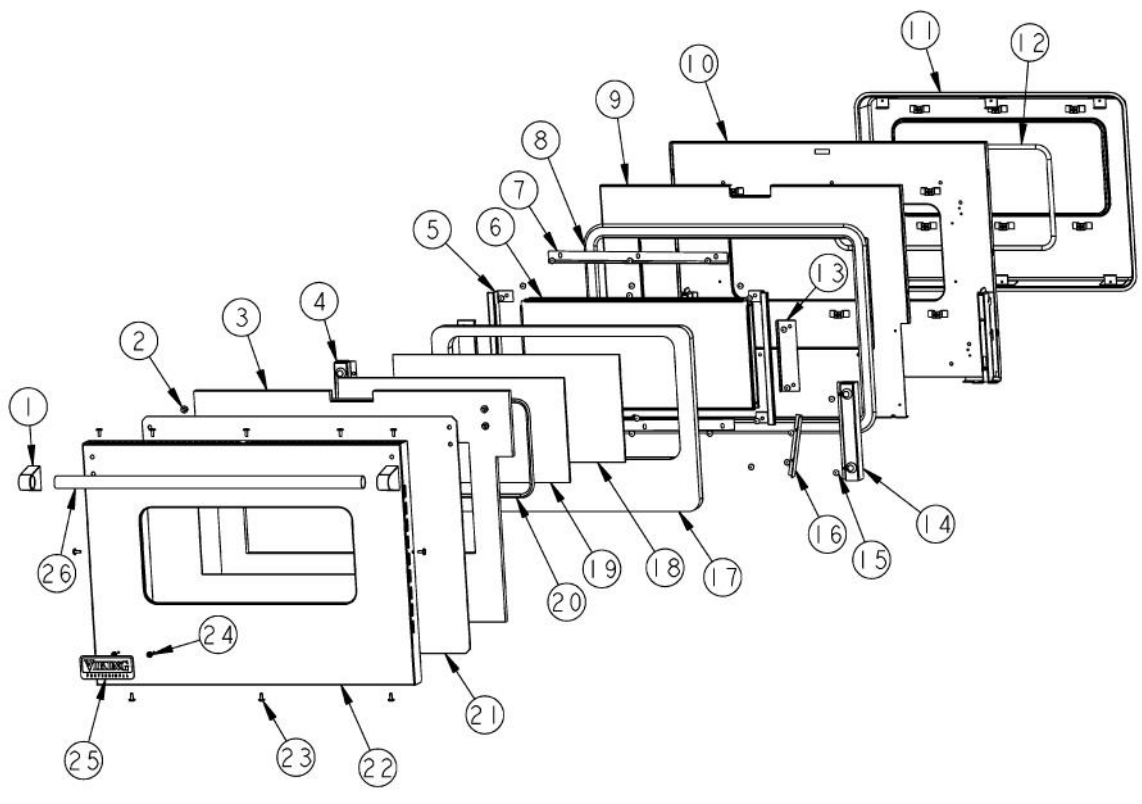
Ref #	Part Number	Qty.	Description
1	PD020044		NO.8-32 X 1/4 PH. TR. HD. M.S.
2	PJ030002		AUTO RESET (SELF-CLEAN) VDSC
3	A1002456		THERMO-DISC BRKT (VDSC)
4	PD020053		NO.8 X 1 1/2 HEX WASHER HEAD SMS(VERT
5	PE070786		ELECTRONIC CONTROL BOARD
6	PE070147		TERMINAL BLOCK
7	PD020014		10X3/4 PH TR HD SMS
8	PE050026		COOLING FAN (VDSC)
9	PD020003		NO.10 X 1/2 T(A) HEX WASHER HEAD
10	A2002180		COOLING FAN HOUSING (VDSC)



Ref #	Part Number	Qty.	Description
1	A2002193		ELECTRICAL MOUNTING BRKT (VDSC)
2	A2002195		POWER CORD MOUNTING BRKT (VDSC)
3	A1002457		POWER CORD MOUNTING STRAP (VDSC)
4	A2002654		ANTI-TIP DEVICE (VDSC)
5	A2002454		BACK COVER ACCESS DOOR
6	A2004297		UPPER BACK COVER (VDSC305)
7	PD020002		10 X 1/2 PH.TR.HD.SMS.
8	A2002484		AIR FLUE (VDSC)
9	PD020003		NO.10 X 1/2 T(A) HEX WASHER HEAD
10	A2002483		AIR FLUE (VDSC)
11	A2005735		BACKGUARD SUPPORT BRACKET
12	A2002486		AIR FLUE (LARGE-BACK) VDSC
13	A2002485		AIR FLUE (LARGE-FRONT) VDSC



Ref #	Part Number	Qty.	Description
1	PD020002		10 X 1/2 PH.TR.HD.SMS.
2	PD020033		SRW-NO.10-24X1/2T(23)PH.WFR HD (NKL)
3	B2001905		VENT BAFFLE-30 (VGRT)
4	A2001799		BACKGUARD BACK (6) VGRT30
5	B2001790		BACKGUARD FRONT 6 (VGRT-30)
6	B3001775		BACKGUARD END CAP - RH (VGRT-6)
7	B3001776		BACKGUARD END CAP - LH (VGRT-6)
8	B2001782		BACKGUARD TOP (VGRT30)

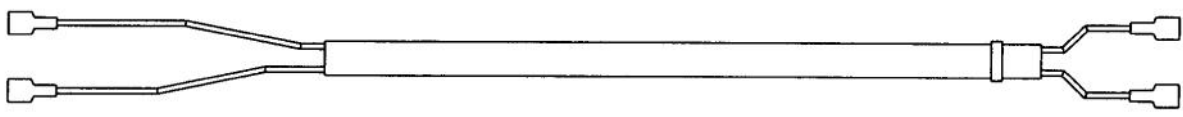


Ref #	Part Number	Qty.	Description
1	PE030001		BRACKET, DOOR, HANDLE
	PE030001PVD		END CAP DOOR HANDLE XBR
2	PD010019		BLT-1/4-20X3/8HEX WASHER SERATED
3	PB070145		SUPERWOOL 5 X 24 X 3`
4	A2002499		HINGE POCKET COVER LH
5	A2002367		DOOR GLASS BRKT
6	PE060064		WINDOW PACK, SELF CLEANING OVEN 30
7	A2007943		GLASSPACK BRACKET, LARGE
8	PB070041		SUB TO 000623-000 - DOOR GASKET(3/8DIA.) (VDSC)
9	A2002169		DOOR INSULATION RETAINER (VDSC30)
10	G9102747		DR LINER ASY(VDSC30/48)REP H9102173
11	G9102745		DR PG ASSY VDSC30/48 RE H9102175
12	PB070150		FIBERGLASS ROPE, 3/8 DIA.
13	A2002189		DOOR GLASS STANDOFF (VDSC)
14	A2002498		HINGE POCKET COVER RH
15	PD020002		10 X 1/2 PH.TR.HD.SMS.
16	A2002497		DOOR GUIDE ANGLE VDSC
17	PB070076		WOOL INSULATION 1 X 21 X 3`
18	PE060039		GLASS-HEAT TREATED (HB2) VDSC
19	PE060030		GLASS-OUTER DOOR BK SCREENED,TEMP
20	PE060031		J-MOLD (LARGE WINDOW)
	PE060045		J-MOLD (LARGE WINDOW) XBRX
21	J1002594		OVEN DR HEAT SINK (VDSC30)
22	B2002188		O/S DOOR PANEL XSSX (VDSC30)
	C9002188AL		O/S DOOR PANEL-XALX (VDSC30)
	C9002188BK		O/S DOOR PANEL-XBKX (VDSC30)
	C9002188BT		O/S DOOR PANEL-XBTX (VDSC30)
	C9002188BU		O/S DOOR PANEL-XBUX (VDSC30)
	C9002188CB		O/S DOOR PANEL-XCBX (VDSC30)
	C9002188EP		O/S DOOR PANEL-XEPX (VDSC30)
	C9002188FG		O/S DOOR PANEL-XFGX (VDSC30)
	C9002188GG		O/S DOOR PANEL-XGGX (VDSC30)
	C9002188LE		O/S DOOR PANEL-XLEX (VDSC30)
	C9002188MJ		O/S DOOR PANEL-XMJX (VDSC30)
	C9002188SG		O/S DOOR PANEL-XSGX (VDSC30)
	C9002188VB		O/S DOOR PANEL-XVBX (VDSC30)
	C9002188WH		O/S DOOR PANEL-XWHX (VDSC30)
23	PD020033		SRW-NO.10-24X1/2T(23)PH.WFR HD (NKL)
24	PD030006		CAPPED WASHER PAL NUT
25	PE010016		NAMEPLATE, LOGO, PRO
	PE010017		LOGO (VGSO,VEDO,VGDO,VUD) XWH/CHR
	PE010079		4.5 LOGO/VIKING PROF, BK/BR
	PE010080		4.5 LOGO/VIKING PROF XWH/BR
26	PE030005		DOOR HANDLE - VGSC30/RC60/RC48RH
	PE030012PVD		DOOR HANDLE - RH - (30/48) PVD
NI	G3202172AL		DOOR SUB-ASSY-XALX (VDSC30)
	G3202172ALBR		DOOR SUB-ASSY-XALXXBRX VDSC30
	G3202172BK		DOOR SUB-ASSY-XBKX (VDSC30)
	G3202172BKBR		DOOR SUB-ASSY-XBKXXBRX (VDSC30)
	G3202172BT		DOOR SUB-ASSY-XBTX (VDSC30)
	G3202172BTBR		DOOR SUB-ASSY-XBTXXBRX (VDSC30)
	G3202172BU		DOOR SUB-ASSY-XBUX (VDSC30)
	G3202172BUBR		DOOR SUB-ASSY-XBUXXXBRX (VDSC30)
	G3202172CB		DOOR SUB-ASSY-XCBX (VDSC30)
	G3202172CBBR		DOOR SUB-ASSY-XCBXXBR VDSC30
	G3202172EP		DOOR SUB-ASSY-XEPX(VDSC30)
	G3202172EPBR		DOOR SUB-ASSY-XEPXXBRX (VDSC30)
	G3202172FG		DOOR SUB-ASSY-XFGX (VDSC30)
	G3202172FGBR		DOOR SUB-ASSY-XFGXXBRX (VDSC30)
	G3202172GG		DOOR SUB-ASSY-XGGX (VDSC30)

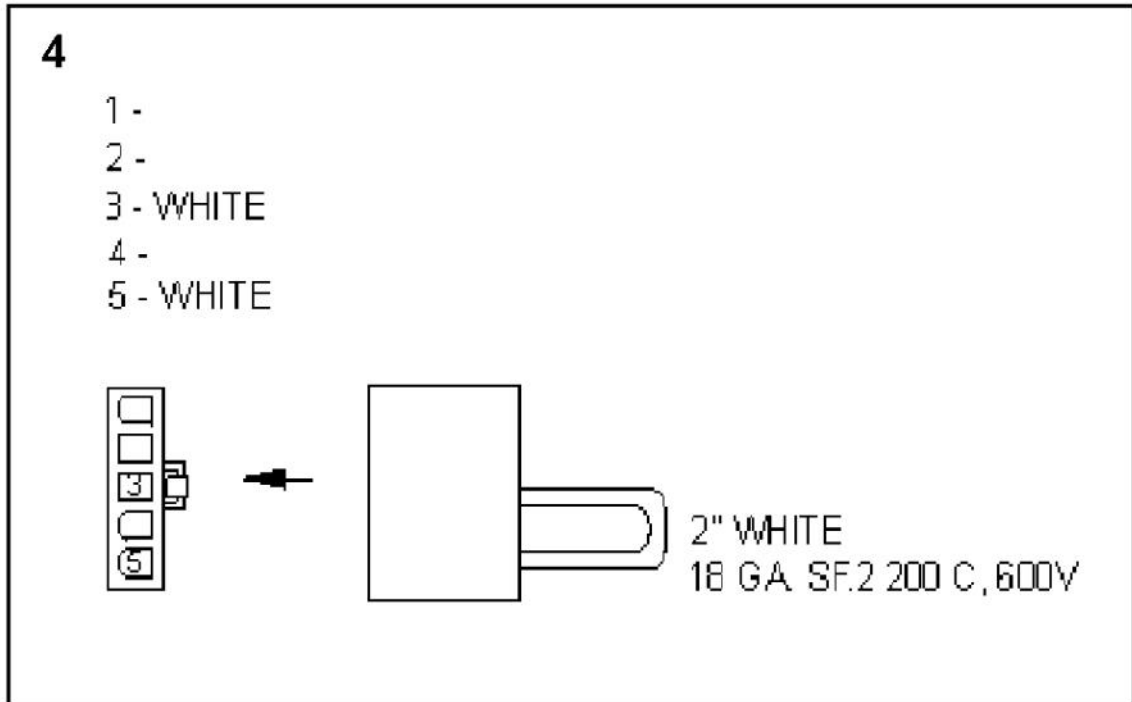
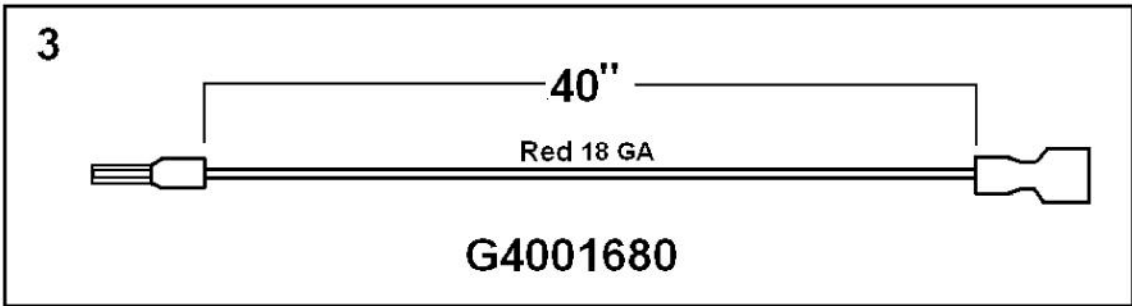
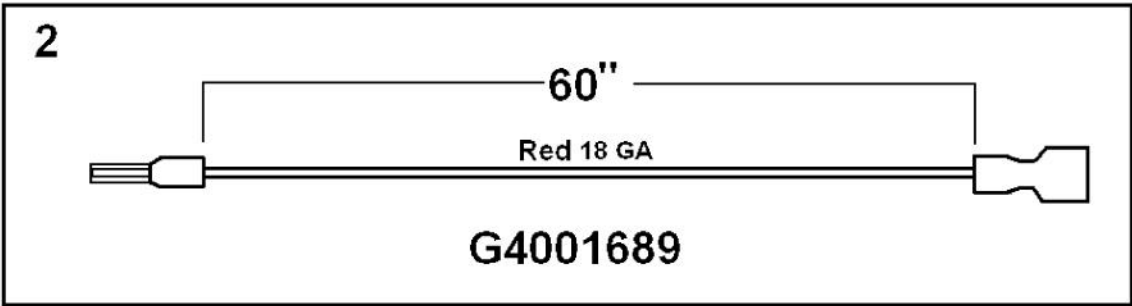
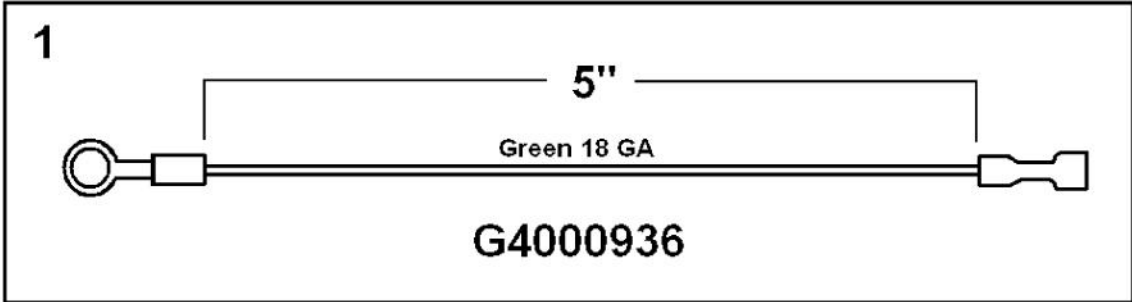
Ref #	Part Number	Qty.	Description
	G3202172GG		DOOR SUB-ASSY-XGGX (VDSC30)
	G3202172GGBR		DOOR SUB-ASSY-XGGX (VDSC30)
	G3202172LE		DOOR SUB-ASSY-LEX (VDSC30)
	G3202172LEBR		DOOR SUB-ASSY-XLEXBRX (VDSC30)
	G3202172MJ		DOOR SUB-ASSY-XMJX (VDSC30)
	G3202172MJBR		DOOR SUB-ASSY-XMJXXBRX VDSC30
	G3202172SG		DOOR SUB-ASSY-XSGX (VDSC30)
	G3202172SGBR		DOOR SUB-ASSY-XSGXXBRX VDSC30
	G3209181SS		DOOR ASSY 30 XSSX
	G3209181SSBR		DOOR ASSY 30 XSSBRX
	G3202172VB		DOOR SUB-ASSY-XVBX (VDSC30)
	G3202172VBBR		DOOR SUB-ASSY-XVBXXBRX (VDSC30)
	G3202172WH		DOOR SUB-ASSY-XWHX (VDSC30)

1

NOTE: EACH "KIT" WILL CONTAIN SEVERAL SETS OF IGNITOR WIRES (AS SHOWN BELOW). THESE SHOULD BE BUNDLED TOGETHER WITH TAPE & LABELED WITH THE KIT PURC. # , AND THE MODEL USAGE #.

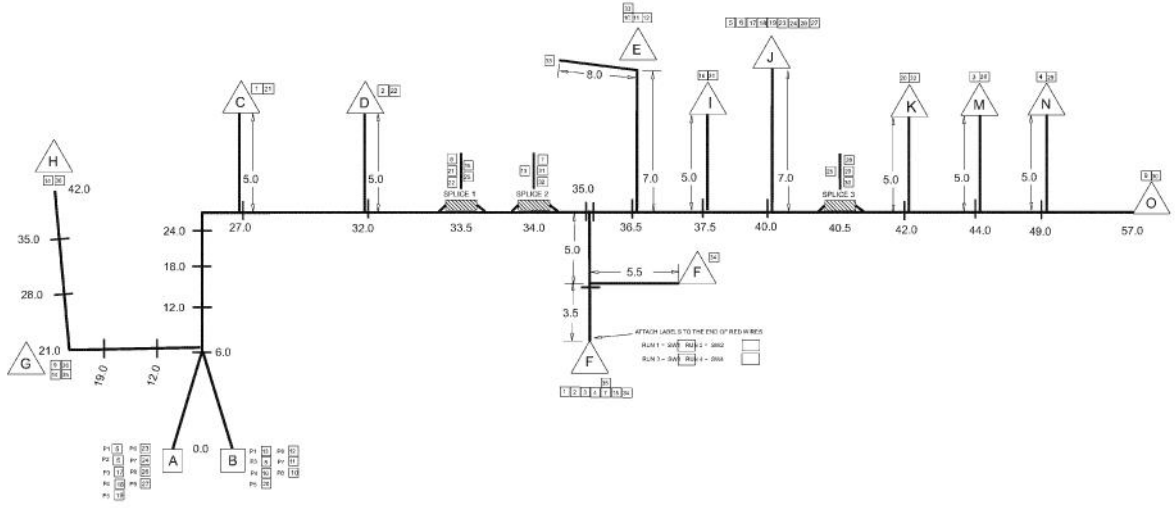


Ref #	Part Number	Qty.	Description
1	PE070713		IGNITOR WIRE KIT - VGIC/VDSC/VGSC307



Ref #	Part Number	Qty.	Description
1	G4000936		GROUND WIRE
2	G4001689		SPRK MDLE-TOP BRNR VLVE SWITCH (60)
3	G4001680		SPRK MDLE-TOP BRNR VLVE SWITCH (40)
4	PE070536		SINGLE OVEN JUMPER

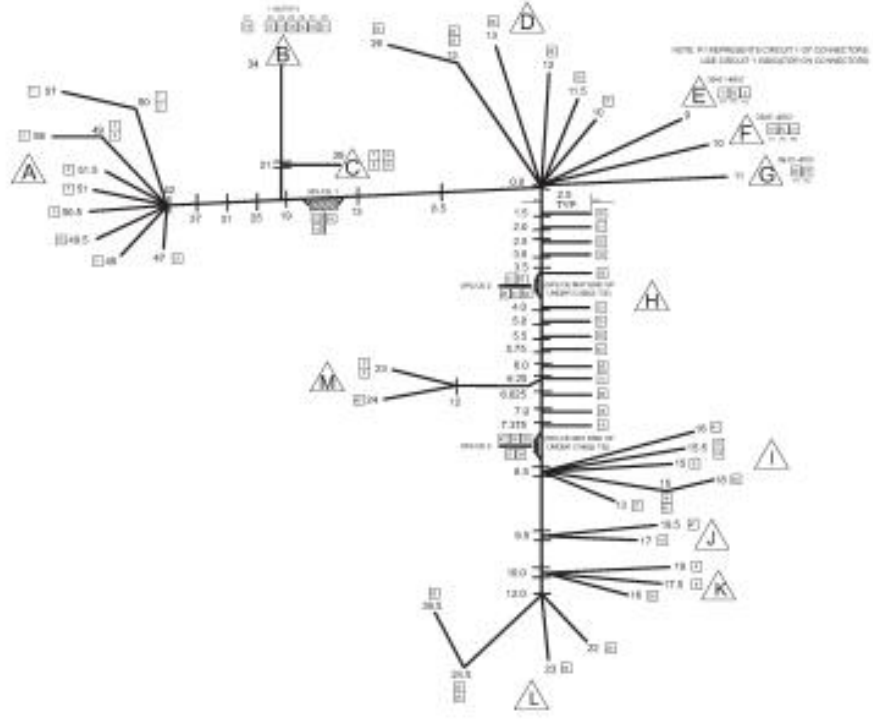
1



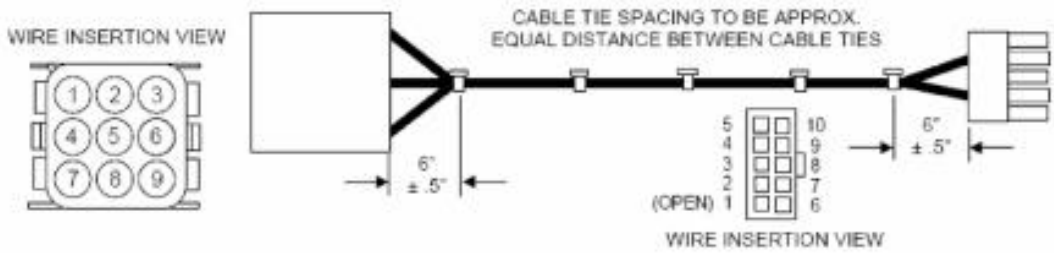
NOTE: P1 REPRESENTS CIRCUIT 1 OF CONNECTORS.
USE CIRCUIT 1 INDICATOR ON CONNECTORS.

Ref #	Part Number	Qty.	Description
1	PE070811		VDSC307/305 WIRE HARNESS

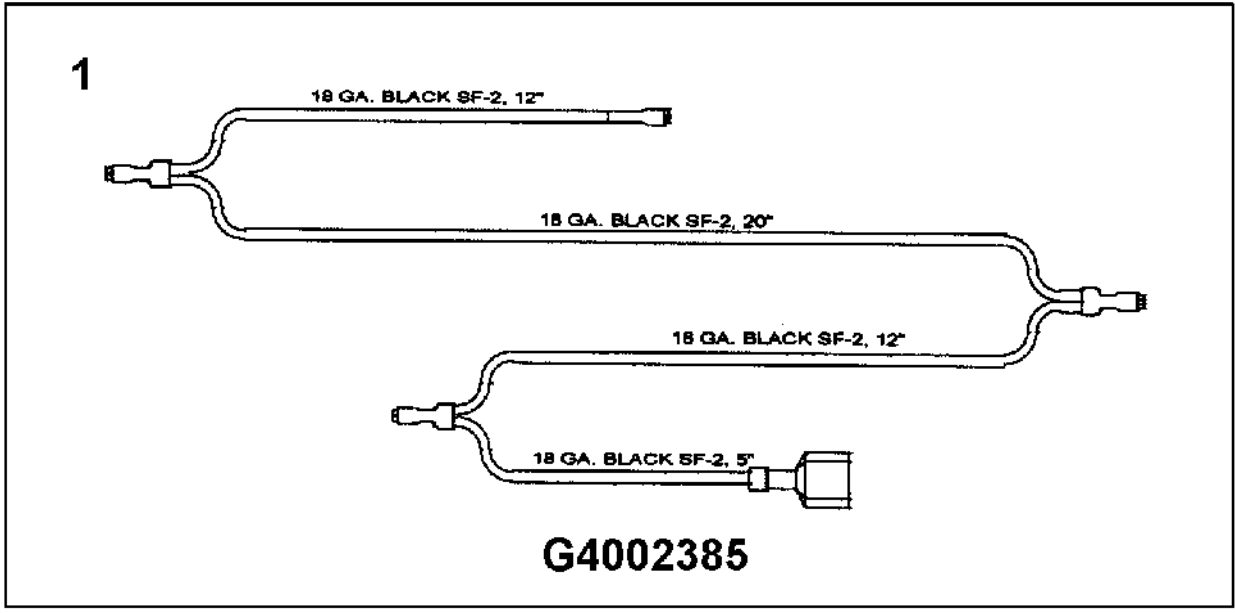
1



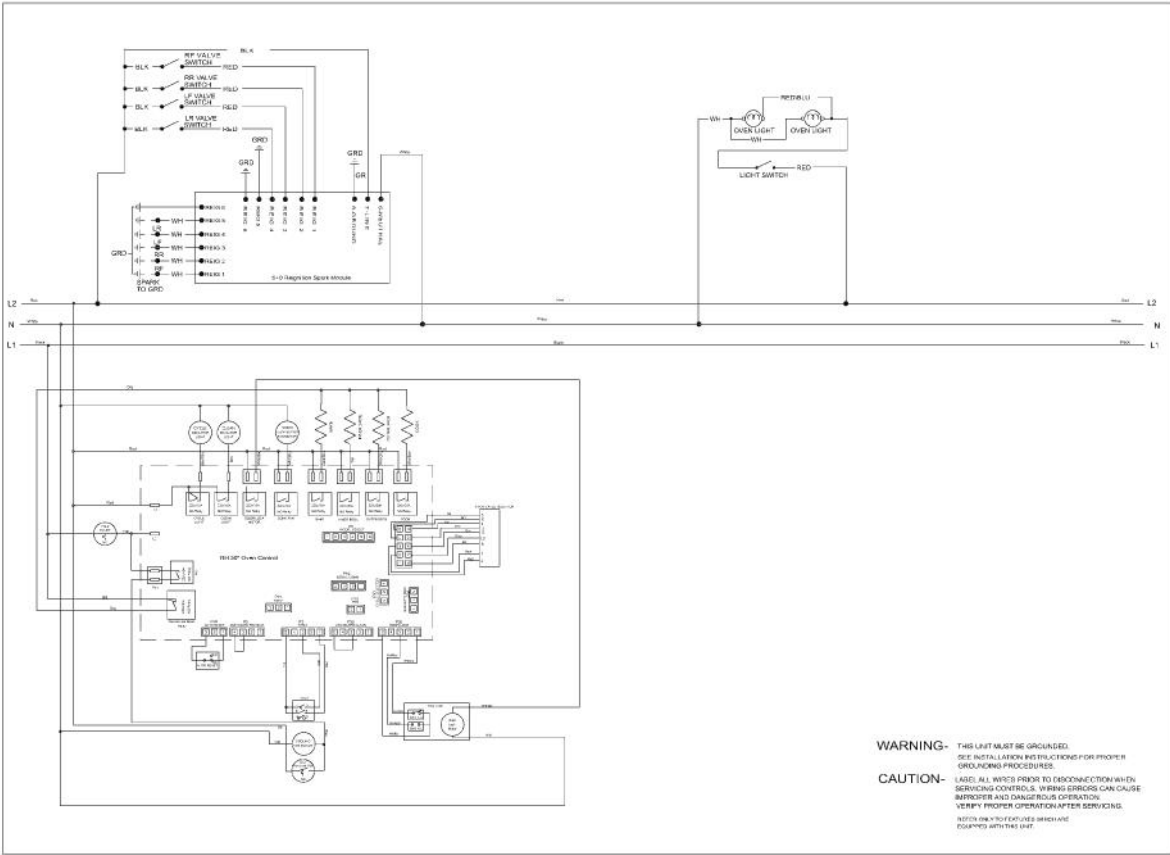
2



Ref #	Part Number	Qty.	Description
1	PE070781		RH MAIN OVEN HARNESS
2	PE070780		RH REAR SELECTOR HARNESS



Ref #	Part Number	Qty.	Description
1	G4002385		WIRE HARNESS-SPARK SWITCHES (VDSC30



WARNING- THIS UNIT MUST BE GROUND. SEE INSTALLATION INSTRUCTIONS FOR PROPER GROUNDING PROCEDURES.

CAUTION- LASC ALL WIRTS FROM TO DISCONNECTION WITHN SERVING CONTROLS. WIRING ERRORS CAN CAUSE IMPROPER AND DANGEROUS OPERATION. VERIFY PROPER OPERATION AFTER SERVICING.

NOTE: THE PHOTOVOLTAIC BATTERY ARE COUPLED WITH THE UNIT.

Ref #	Part Number	Qty.	Description
-------	-------------	------	-------------
