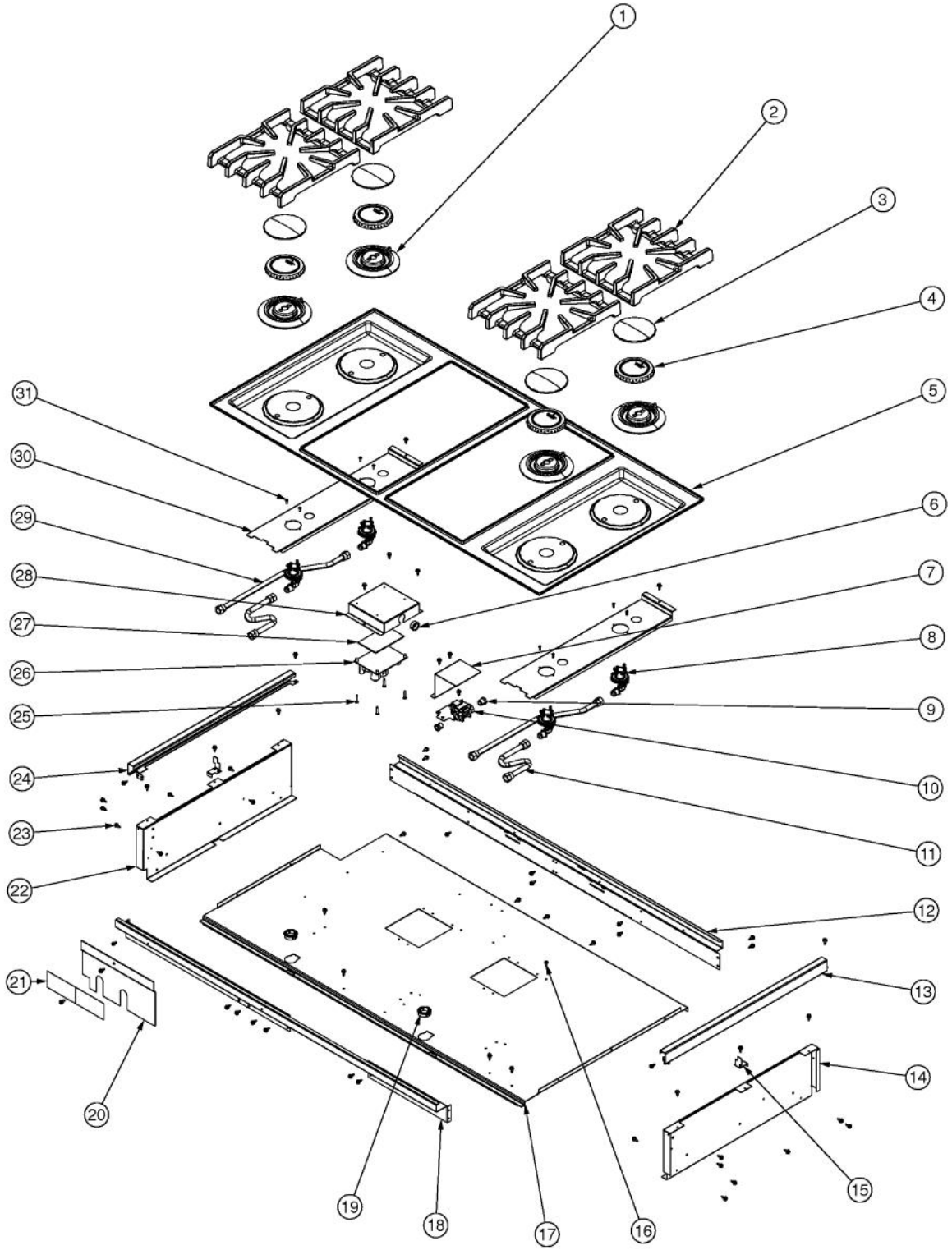
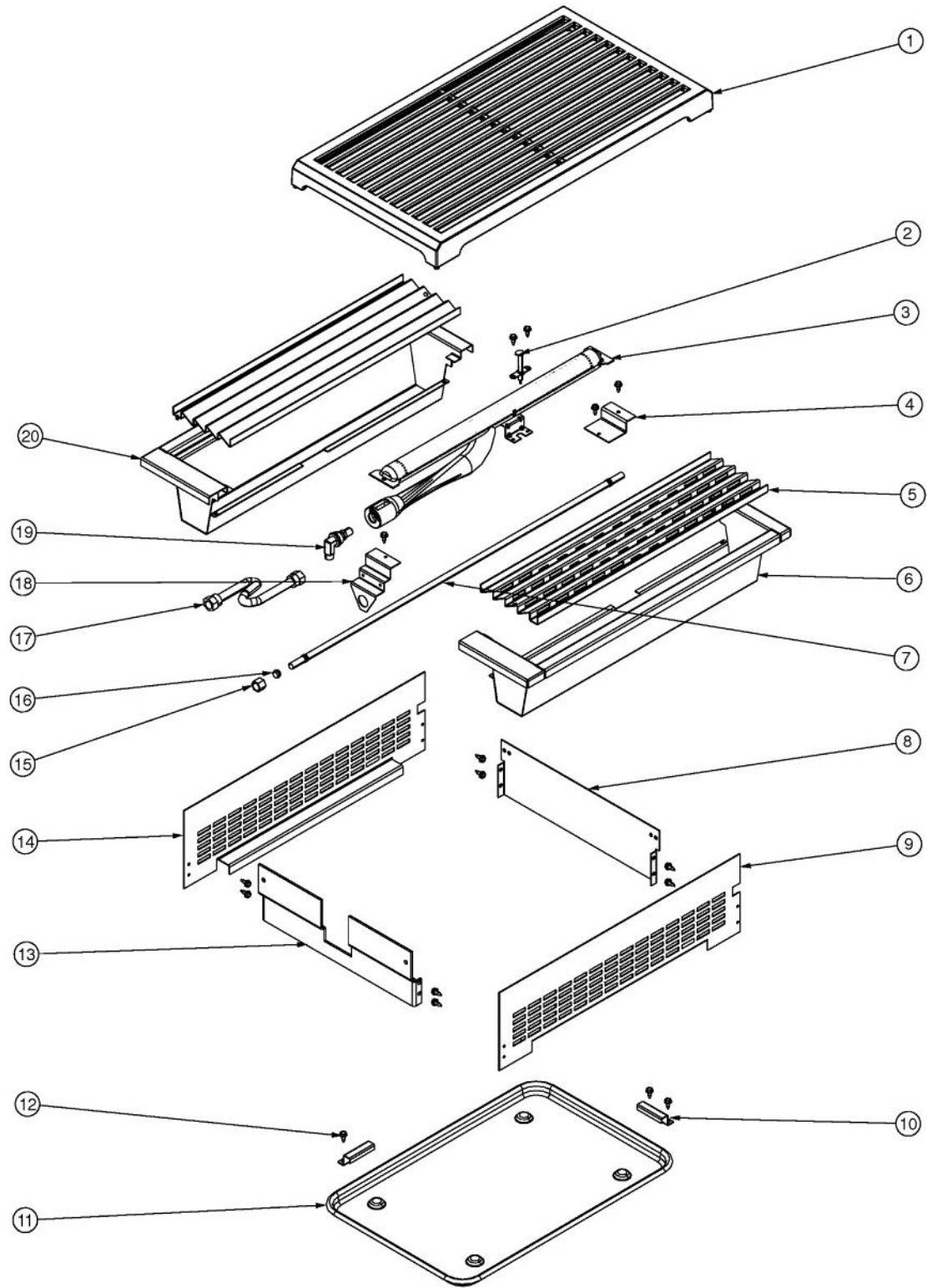


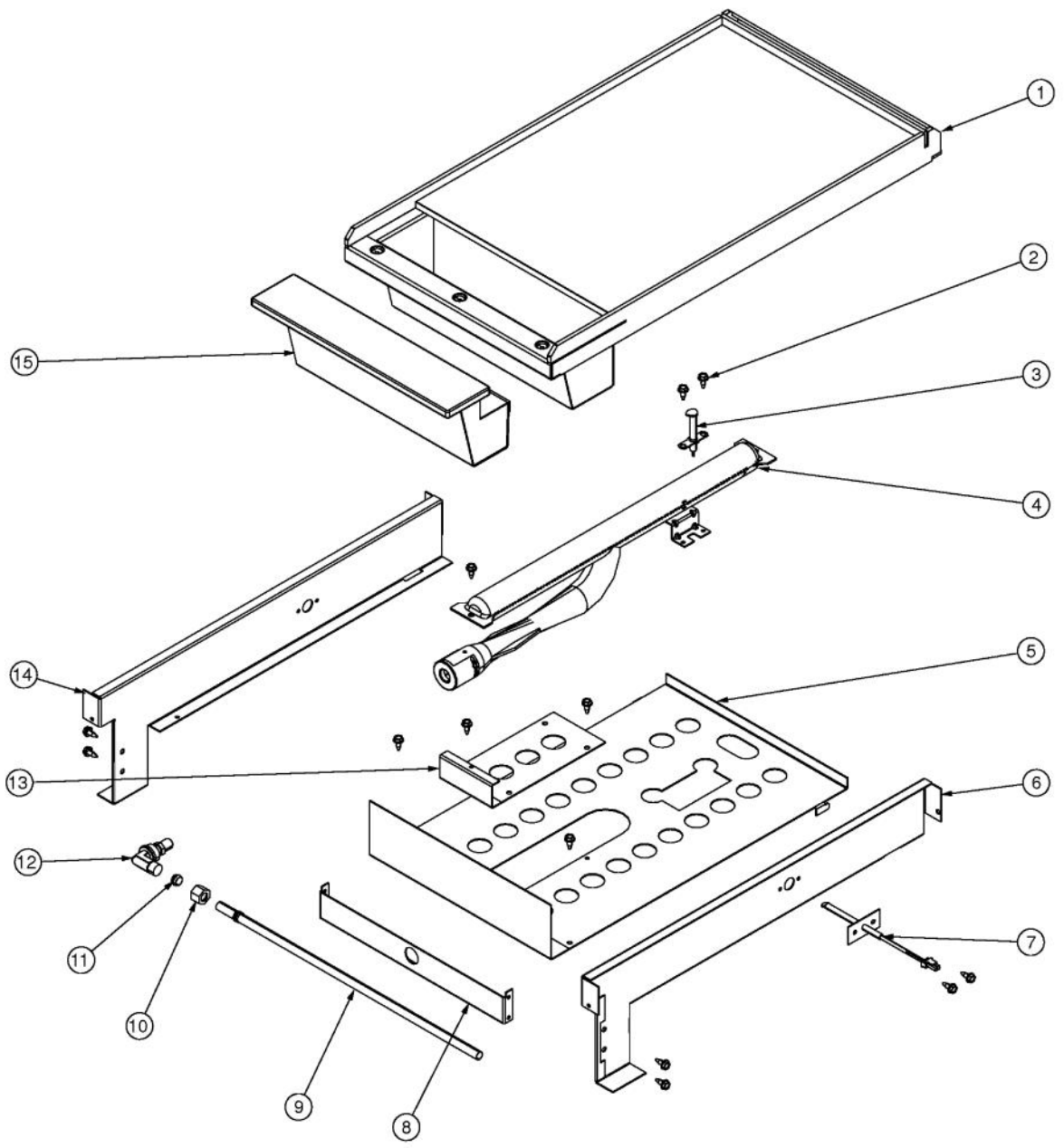
Ref #	Part Number	Qty.	Description
1	020895-000	1	BAR,PNL,ASM
2	PJ030033	1	SELECTOR (10 POS)
3	PJ030035	1	THERMOSTAT
4	017732-000	1	THERMOSTAT, ELEC, 2-POS, T MODEL
5	006015-000	4	VALVE, BRS, SEALED TOP - ISPHORDING
6	020019-000	1	HARNESS, WRG, CONTROL
7	020713-000	1	MANIFOLD, ASM, LH
NI	020716-000	1	MANIFOLD, VLV, ASM, LH, LP
8	013583-000	1	VALVE, GRL, ASM, BRS, ISPHORDING
9	PA070001	1	PRESSURE REGULATOR (NAT.)
NI	000714-000	1	LP REGULATOR
10	PB030007	1	SHUT OFF VALVE
11	006766-000	4	IRIS IGNITOR WIRE, BACK BURNER
12	021319-000	1	HARNESS, ADPT, LED, 125V TO 2V
13	PB020111	1	3/8 SS FLEX TUBING - 27 T6-27
14	PD010003	8	10-24 X 1/2 PH.TR.HD.SERD.M.S.
15	019190-000	1	MANIFOLD ASM
16	000647-000	2	IRIS IGNITOR WIRE, FRONT BURNER
17	PE070892	1	IRIS HARNESS - 60
18	PA020058	5	IRIS SINGLE SPARK MODULE
19	013995-000	1	VDSC ELECTRONIC CONTROLS MODULE
20	PD040004	4	GROMMET BUMPER
21	011717-000	1	TRIM ASM
22	PD020032	8	SRW-8(A)X3/8PH.WFR HD 7/16DIAXNICL
23	020513-000	1	BRACKET, TSTAT
24	PD020044	2	NO.8-32 X 1/4 PH. TR. HD. M.S.
25	PB010304	7	KNOB BEZEL
26	PD020046	7	NO.8 X 1/2 SCREWS
27	010348-000	2	KNOB BEZEL,VDSC, ELECTRONIC CONTROLS, SS
28	005269-000	4	RANGE TOP BURNER KNOB-BRUSHED, SSS
29	PD020033	2	SRW-NO.10-24X1/2T(23)PH.WFR HD (NKL)
30	013950-000	1	OVEN KNOB, VDSC ELECTRONIC CONTROLS
31	006570-000	1	KNOB, GRDL/(LH OVEN), ASM, PVD, NO.3, SSS
32	015043-000	3	INDICATOR, LIGHT, BLUE LED
33	006574-000	1	KNOB, GRL, ASM, PVD, NO.3, SSS
34	005270-000	1	RANGE THERMOSTAT KNOB-BRUSHED, SSS
35	005271-000	1	RANGE SELECTOR KNOB-BRUSHED, SSS
36	PD020062	4	NO.8-32 X 3/8 PHMS TYPE 1
37	003719-000	1	OVEN LIGHT SWITCH, BLACK



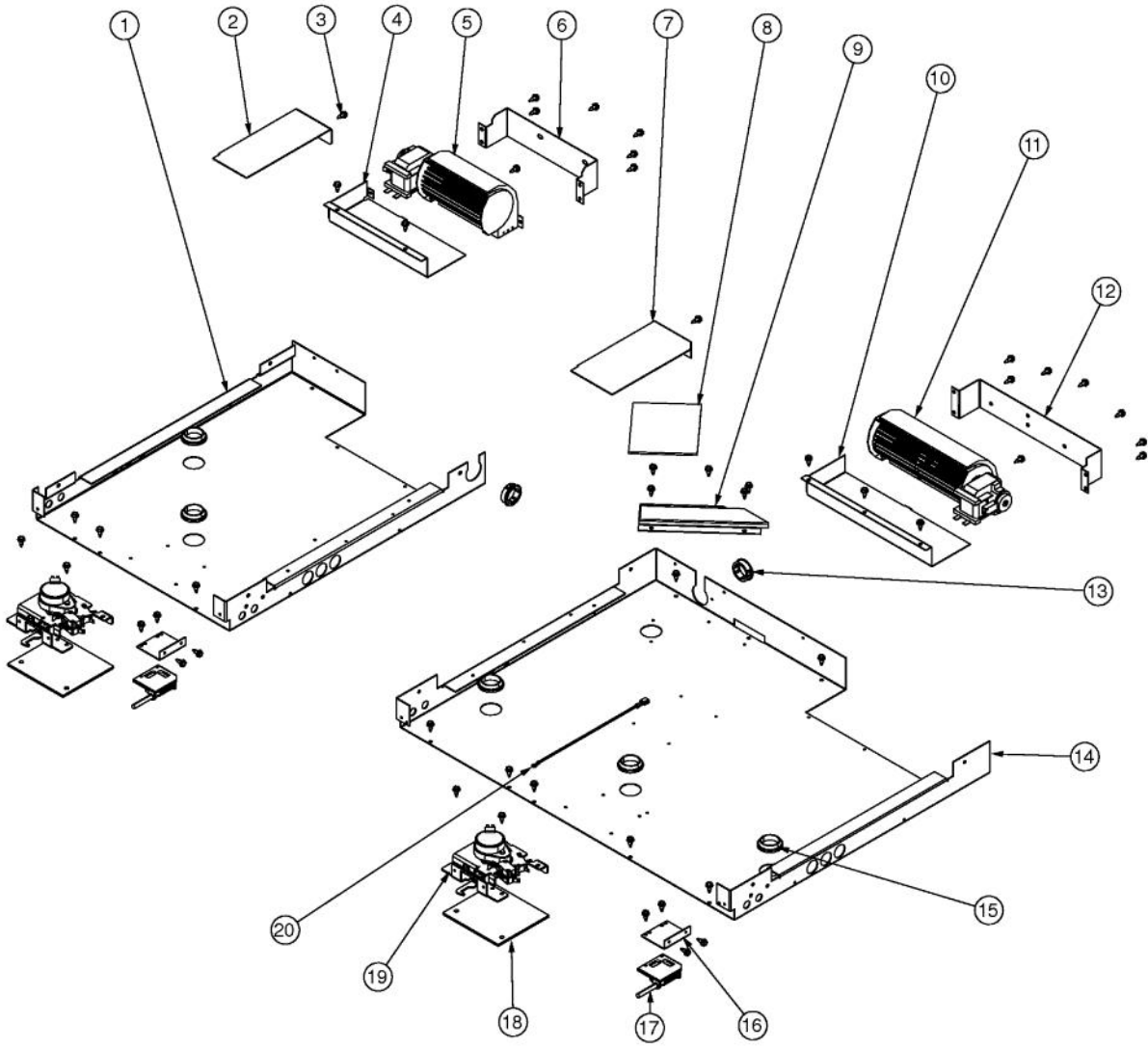
Ref #	Part Number	Qty.	Description
1	003322-041	4	SEALED BURNER BASE, PAINTED FINISH
2	007323-000	4	BURNER GRATE
3	PA080083	4	D BURNER CAP XMATTE BLACKX
4	006706-000	4	B6 REV SEALED BURNER
5	E9109803BK	1	48 SEALED COOKTOP 4BGQ XBKX
6	PD040005	1	SNAP BUSHING - 7/8
7	009402-000	1	SOLENOID HEAT SHIELD COVER
8	001394-000	1	15000 BTU NAT JETHOLDER
NI	001394-046	4	12.5 K BTU LP JETHOLDER
9	PB040050	2	3/8CC MALE COMP. FITTING W/FERRULE
10	009111-000	1	VALVE, SOL, SINGLE
11	PB020192	2	10 FLEX TUBING W/CONNECTORS
12	008464-000	1	BRNR BOX,REAR,FLAT,SUPPORT,VDSC5484GQ 48
13	002920-000	1	SIDE TRIM, RH - STAINLESS
14	002755-000	1	BURNER BOX SIDE, RH
15	004021-000	2	SUPPORT,TRIM,SIDE
16	PD020010	1	10 X 3/8 GREEN GROUNDING SCREW
17	015641-000	1	BURNER BOX BOT, VDSC548T (BEFORE 1/13/11)
17	024684-000	1	BURNER BOX BOT (ON OR AFTER 01/13/11)
18	008705-000	1	SUPPORT, RNG, TOP, FR, VDSC548-4GQ
19	PD040152	1	SNAP BUSHING
20	020743-000	1	SHIELD, THRM
21	PB070146	2	POLY FILM, (VDSC,VGSC)
22	003481-000	1	BURNER BOX SIDE, LH
23	003860-000	16	NO.10-18 X .500 FASTNR,SCR,HXWH,STL,ZPLT
24	003649-000	1	SIDE TRIM, LH - STAINLESS
25	PD020043	1	NO.6-32 X .750 PH. CTRSK T(F)-VGSO166
26	PA020056	1	TYTRONICS DSI MODULE (BEFORE 01/11/11)
26	023651-000	1	DSI120 LONG PURGE (ON OR AFTER 01/11/11)
27	PB070191	1	INSULATION PAD
28	014564-000	1	DSI BOARD COVER
29	PB020193	2	16 FLEX TUBING W/CONNECTORS
30	002923-000	2	BURNER MODULE SUPPORT
31	PD020076	1	6-32 X 3/8 PHILL PAN MS



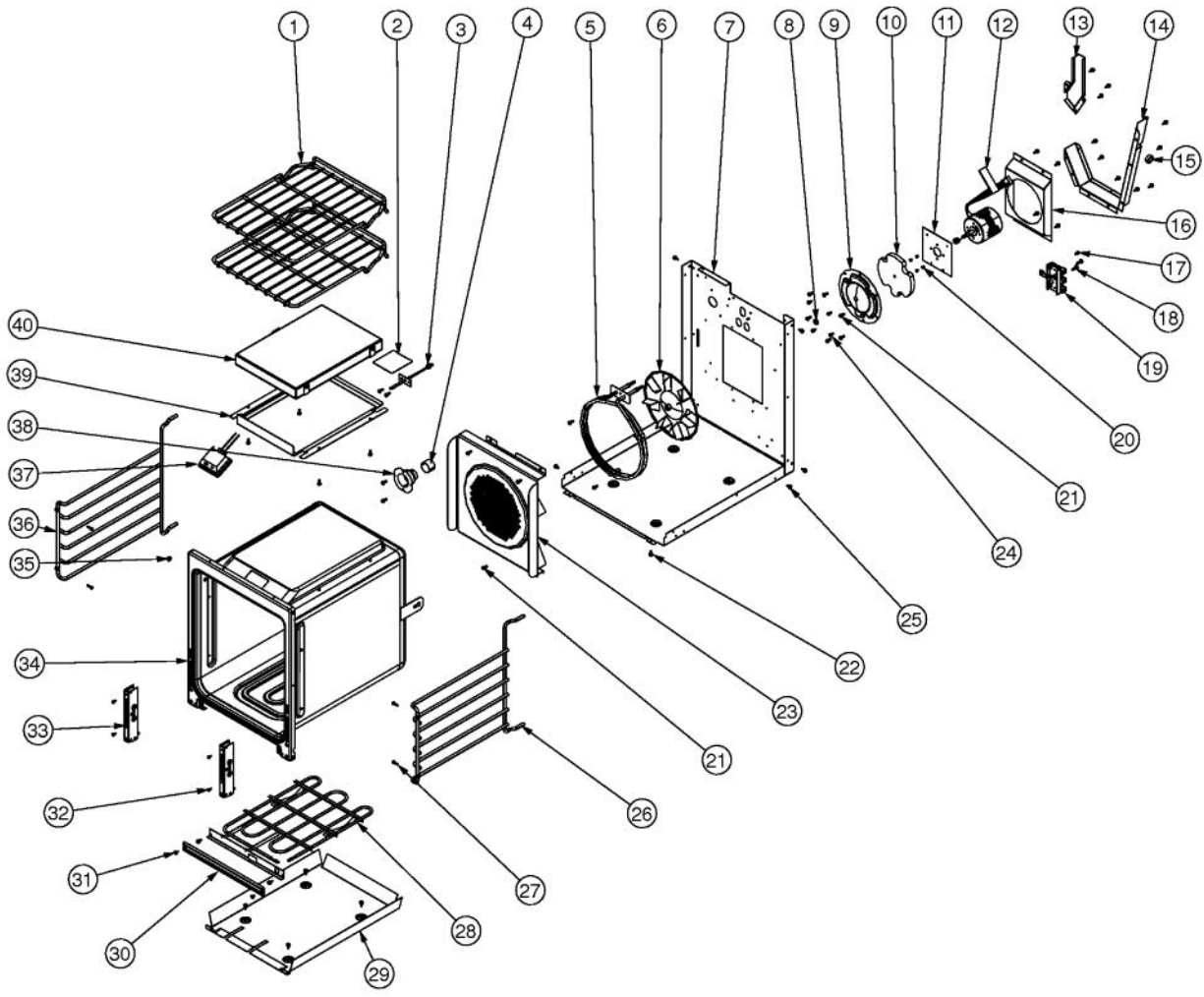
Ref #	Part Number	Qty.	Description
1	010168-000	1	CUSTOM RANGE GRILL GRATE
2	PA020028	1	SPARK IGNITER
3	007878-000	1	BURNER, GRILL, ASM
NI	012460-000	1	BURNER, GRILL, ASM, LP CUSTOM RANGES
4	008636-000	1	BRACKET, BURNER, GRILL, REAR
5	E9101130	2	GRILL SMOKE GENERATOR
6	013593-000	1	PAN, DRIP, ASM, RIGHT
7	PB020111	1	3/8 SS FLEX TUBING - 27 T6-27
8	016794-000	1	SHIELD, HEAT, REAR, Q MODELS
9	016793-000	1	SHIELD, HEAT, RH, Q MODELS
10	008286-000	2	BRACKET, DRIP, PAN, CUSTOM, Q-MODELS
11	J2101749	1	GREASE PAN
12	003860-000	16	NO.10-18 X .500 FASTNR, SCR, HXWH, STL, ZPLT
13	016796-000	1	SHIELD, HEAT, FR, Q MODELS
14	016792-000	1	SHIELD, HEAT, LH, Q MODELS
15	PB040213	1	3/8 COMPRESSION NUT (DGCU)
16	PB040192	1	3/8` CC FERREL (DGCU)
17	PB020192	1	10 FLEX TUBING W/CONNECTORS
18	007776-000	1	MOUNT, GRILL, BURNER, FRONT
19	PB040238	1	90 DEGREE ORIFICE FITTING, NAT NO.47
20	013595-000	1	PAN, DRIP, ASM, LEFT



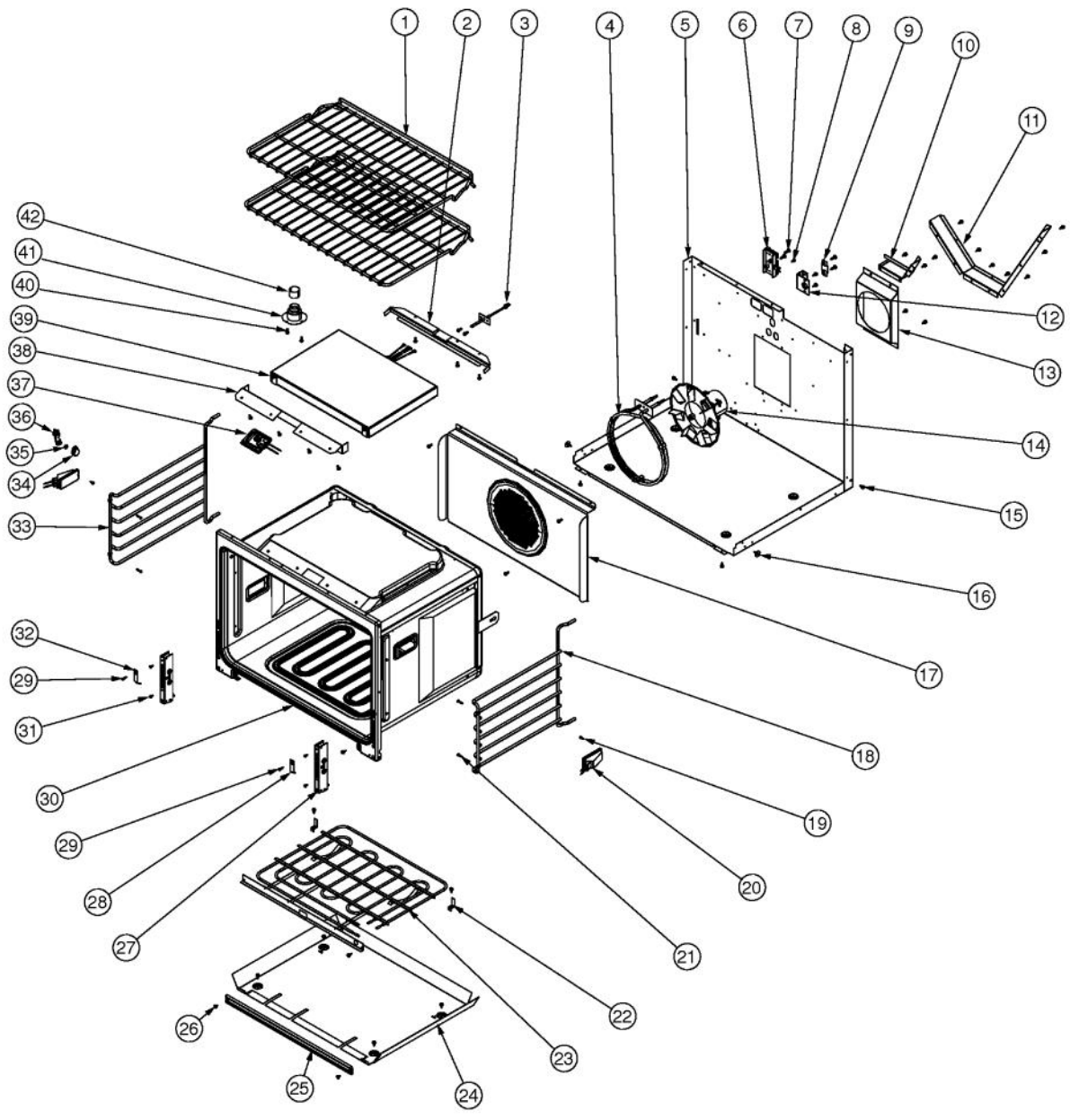
Ref #	Part Number	Qty.	Description
1	012291-000	1	GRIDDLE ASM, CUSTOM RANGES
2	003860-000	13	NO.10-18 X .500 FASTNR,SCR,HXWH,STL,ZPLT
3	PA020028	1	SPARK IGNITER
4	013888-000	1	GRIDDLE, BURNER, ASM, NAT, W/IGNITOR BRACKET
NI	013889-000	1	GRIDDLE, BURNER, ASM, LP, W/IGNITOR BRACKET
5	016292-000	1	BURNER BOX BOTTOM, GRILL
6	016295-000	1	SIDE, GRILL BOX, RH
7	PE050206	1	RTD THERMOSTAT PROBE
8	006783-000	1	GRIDDLE BRKT, ORIFICE, CUSTOM RANGES
9	PB020126	1	3/8`` S.S. FLEX TUBING 15`` (DGCU)
10	PB040213	1	3/8 COMPRESSION NUT (DGCU)
11	PB040192	1	3/8`` CC FERREL (DGCU)
12	PB040190	1	90 DEGREE ORIFICE FITTING NO.50 NAT
NI	002513-000	1	90 DEGREE ORIFICE FITTING NO.57 LP
13	016293-000	1	GRIDDLE SUPPORT, LEFT
14	006785-000	1	GRIDDLE, BOX, VENTURI, COVER
15	012167-000	1	TROUGH, ASM



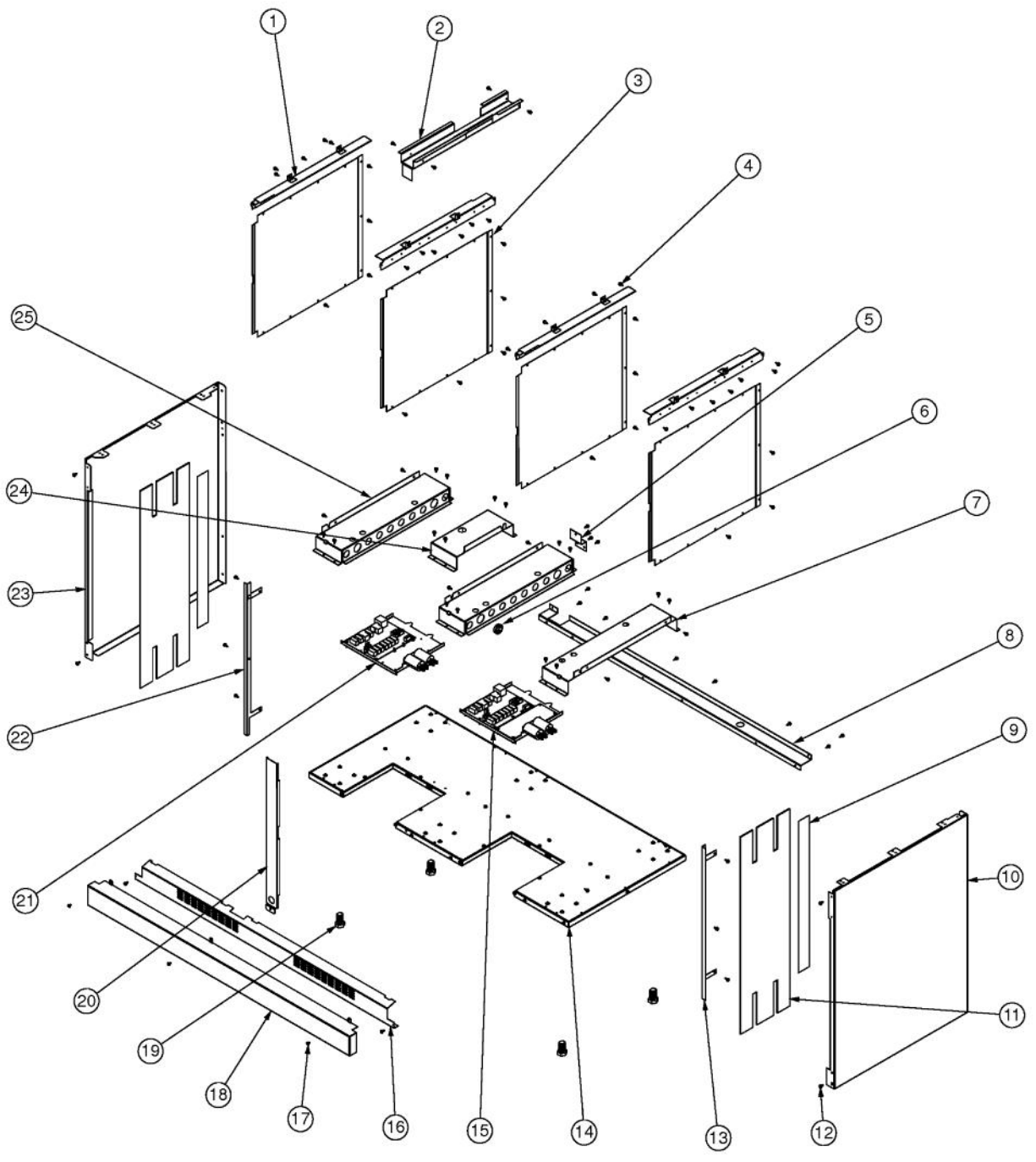
Ref #	Part Number	Qty.	Description
1	006195-000	1	OVEN, MDL, TOP, FLAT, VDSC18
2	007793-000	1	PLATE, SVCE,FLAT,REGULATOR,VDSC548
3	003860-000	49	NO.10-18 X .500 FASTNR,SCR,HXWH,STL,ZPLT
4	007419-000	1	BRACKET, FAN, MT, BOT, VDSC 18
5	007794-000	1	COOLING FAN, VDSC 18 (BEFORE 8/12/2013)
5	018608-000	1	FAN,BLO, 220-240V 50/60HZ ASSY (ON OR AFTER 8/12/2013)
6	007420-000	1	COOLING, FAN, MOUNTING, BRACKET, VDSC18
7	004016-000	1	PLATE,SVCE,RGLT
8	004285-000	1	INSULATION, FOIL-BACKED,4X5
9	003333-000	1	DUCT, FLUE
10	A2009659	1	BRACKET, FILLER, BLOWER
11	PE050250	1	PREMIUM BLOWER WITH HES (BEFORE 8/10/2013)
11	018607-000		FAN,BLO, 220-240V 50/60HZ ASSY (ON OR AFTER 8/10/2013)
12	004110-000	1	MOUNT,BLOWER
13	PD040152	2	SNAP BUSHING
14	002754-000	1	RANGE TOP BRACE, AIR CHANNEL
15	PB070079	5	SILICONE EXTRUSION (DGSU)
16	A20012649	2	DOOR SWITCH BRACKET
17	PE050208	2	DOOR SWITCH
18	NON-SERVICEABLE	2	TUB WELDMENT
19	013250-000	2	LATCH,DOOR,ASM,240V,GRIDDLE LOCKOUT
20	G4000936	1	GROUND WIRE



Ref #	Part Number	Qty.	Description
1	006379-000	2	OVEN, RACK, ASM, STANDARD, VDSC18
2	006203-000	1	SHIELD, RTD, VDSC18
3	PE050206	1	RTD THERMOSTAT PROBE
4	PB020275	1	VENT TUBE
5	PJ010047	1	CONVECTION ELEMENT
6	PE050227	1	CONVECTION FAN BLADE ASSY
7	006160-000	1	OVEN, BACK, BOT, FLAT, VDSC18
8	PD030149	1	5/16 NUT
9	E91012727	1	PLATE, MOUNTING, CONV MOTOR
10	013550-000	1	CONV MOTOR MTG PLATE INSULATION
11	E91012727	1	PLATE, MOUNTING, CONV MOTOR
12	005458-000	1	FAN, MOTOR, CONVECTION, VDSC18 OVEN
13	007441-000	1	EXHAUST, DUCT, REAR, VDSC18
14	007248-000	1	BAFFLE, FAN, REAR
15	PD040005	1	SNAP BUSHING - 7/8
16	A2009697	1	BRACKET, CONVECTION INSULATION
17	PD020010	1	10 X 3/8 GREEN GROUNDING SCREW
18	PD020014	2	10X3/4 PH TR HD SMS
19	PE070147	1	TERMINAL BLOCK
20	PD010028	4	BOLT M 4X5
21	PD020048	19	NO.10 X 1/2 TEK 410 SS SCREW
22	003860-000	24	NO.10-18 X .500 FASTNR,SCR,HXWH,STL,ZPLT
23	006176-000	1	BAFFLE, CNVN, ASM, VDSC 18
24	PD020055	4	NO.10 X 1/2 PAN PHIL. TEK. SS
25	014143-000	2	SCR 10-12 A SHLD TRP 1/2 S ZN BLUE
26	003039-000	1	RACK GUIDE ASSY, RH
27	PD020232	4	NO.8 X 3/4 PH PAN HEAD TEK SCREW (BLACK OXIDE)
28	006166-000	1	ELEMENT, BAKE, VDSC18
29	006163-000	1	ELEMENT, MTG, FLAT,TRAY,VDSC18
30	003490-000	1	COVER,BAKE, 18
31	PD020063	2	SCREW-NO 8(A) X 3/8PH WFR HD/BK OXID
32	PD020062	4	NO.8-32 X 3/8 PHMS TYPE 1
33	031679-000	2	RECEPTACLE, HINGE
34	NON-SERVICEABLE	1	TUB WELDMENT
35	E91014053	1	PORCELAIN 25/64 HOLE PLUG
36	003040-000	1	RACK GUIDE ASSY, LH
37	020403-000	1	BJB SLIMLINE 40W BULB
38	PM010014	1	SMOKE ELIMINATOR (VDSC)
39	006748-000	1	BRACKET,SST,201HP,MILL,VDSC18,GLASS BROILER
40	006380-000	1	ELEMENT, GLASS, BROILER, 18

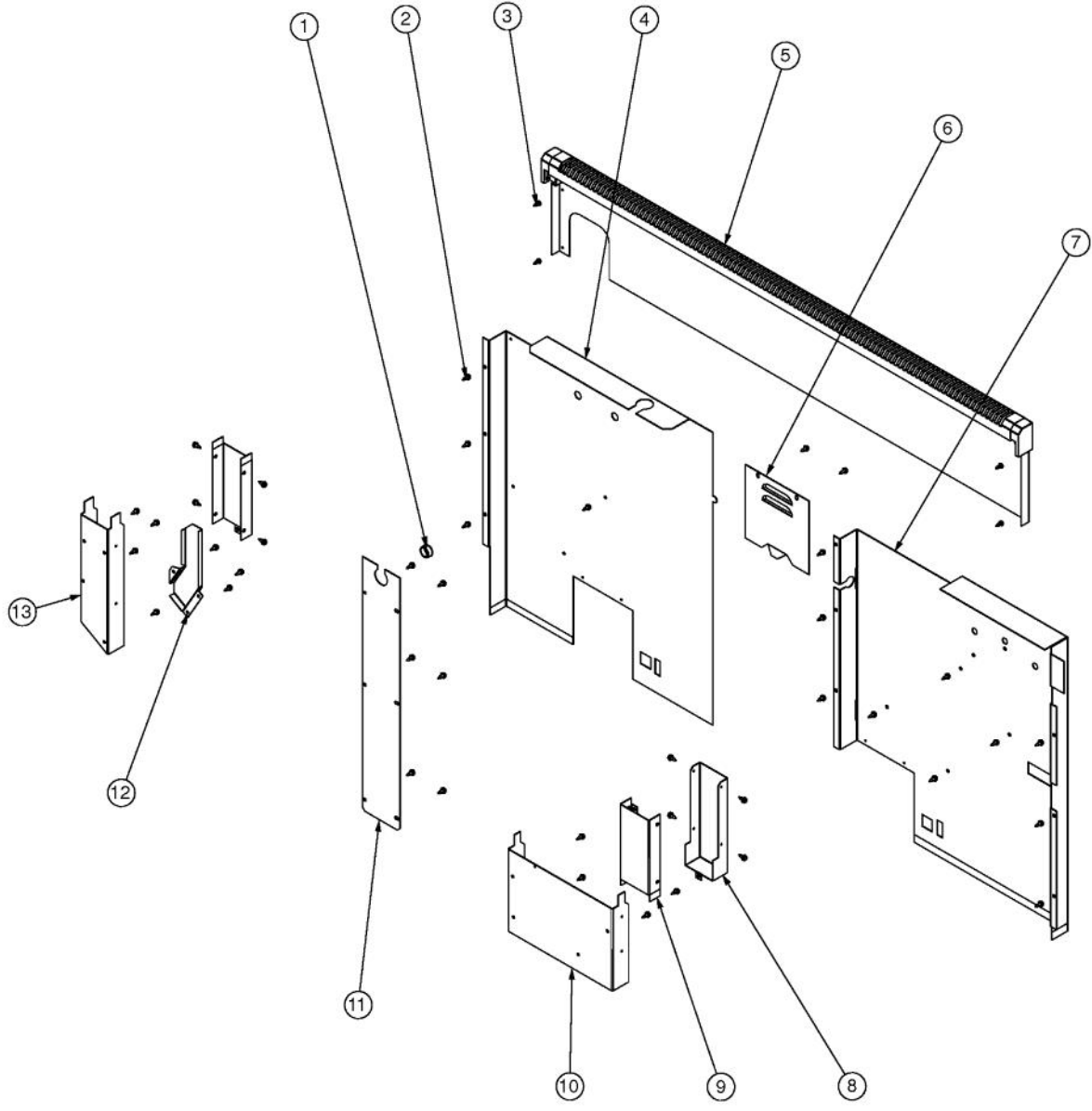


Ref #	Part Number	Qty.	Description
1	PB060107	2	30 OVEN RACK
2	B20014051	1	PREMIERE BROIL ELEMENT BRACKET REAR
3	PE050206	1	RTD THERMOSTAT PROBE
4	PJ010047	1	CONVECTION ELEMENT
5	003244-000	1	OVEN BOTTOM, BACK WRAP
6	PE070147	1	TERMINAL BLOCK
7	PD020014	4	10X3/4 PH TR HD SMS
8	PD020010	1	10 X 3/8 GREEN GROUNDING SCREW
9	A1002457	1	POWER CORD MOUNTING STRAP (VDSC)
10	003356-000	1	DIVERTER, AIR
11	002941-000	1	BAFFLE, FAN, REAR
12	A2002195	1	POWER CORD MOUNTING BRKT (VDSC)
13	A2009697	1	BRACKET, CONVECTION INSULATION
14	G32014020	1	CONVECTION FAN ASSY
15	003860-000	26	NO.10-18 X .500 FASTNR,SCR,HXWH,STL,ZPLT
16	PD020151	2	SHOULDER SCREW
17	G91013598	1	30 BAFFLE ASSEMBLY
18	003039-000	1	RACK GUIDE ASSY, RH
19	PD020067	2	NO.6 X 3/8 PAN PHIL. TEK SS
20	005311-000	2	120V/25W HALOGEN LIGHT
21	PD020232	4	NO.8 X 3/4 PH PAN HEAD TEK SCREW (BLACK OXIDE)
22	NON-SERVICABLE	2	CONVECTION ELEMENT
23	PJ010048	1	BAKE ELEMENT
24	A2009612	1	ELEMENT, MTG TRAY
25	E9109655	1	BAKE TRAY COVER
26	PD020063	2	SCREW-NO.8(A) X 3/8PH WFR HD/BK OXID
27	031679-000	2	RECEPTACLE, HINGE
28	B21010915	1	HINGE CLIP ? RH
29	PD020061	2	NO.8 X 3/4 FLAT HD TEK. SS.
30	G30014039	1	30 PREMIERE CAVITY ASSY
31	PD020062	4	NO.8-32 X 3/8 PHMS TYPE 1
32	B21010916	1	HINGE CLIP ? LH
33	003040-000	1	RACK GUIDE ASSY, LH
34	PM010160	1	MEAT PROBE JACK COVER
35	E91014053	1	PORCELAIN 25/64 HOLE PLUG
36	PE050115	1	MEAT PROBE JACK
37	005312-000	1	BJB SLIMLINE 40 W BULB
38	B20014050	1	PREMIERE BROIL ELEMENT BRACKET FRONT
39	PJ010050	1	SEALED BROIL ELEMENT W/GLASS
40	PD020048	14	NO.10 X 1/2 TEK 410 SS SCREW
41	NON-SERVICABLE	1	CONVECTION ELEMENT
42	PB020275	1	VENT TUBE

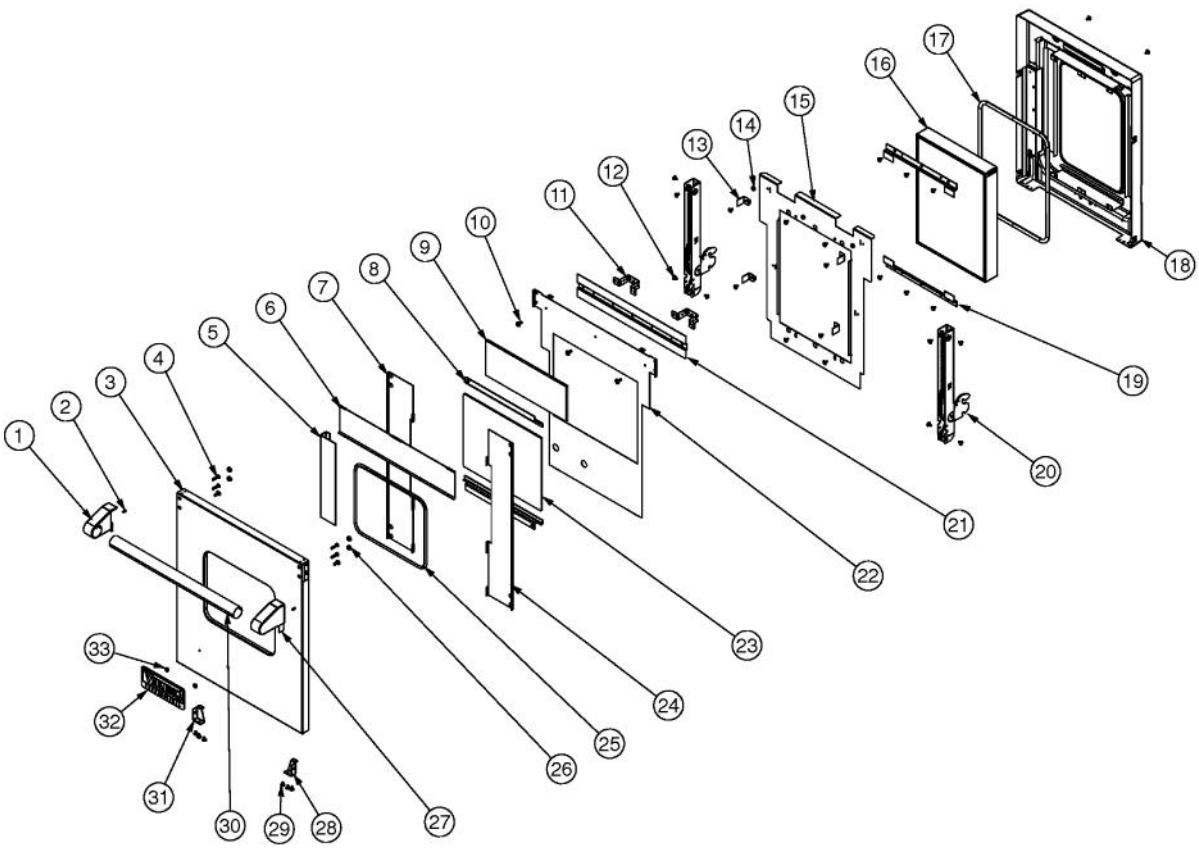


Ref #	Part Number	Qty.	Description
1	A2009641	3	BRKT, TOP WRAPPER
2	006749-000	1	CONNECTOR, BRKT, CTR, VDSC548
3	014137-000	4	WRAPPER, OVEN SIDE
4	003860-000	80	NO.10-18 X .500 FASTNR,SCR,HXWH,STL,ZPLT
5	013787-000	1	BRACKET, MTG, REAR, OVEN CAVITY
6	PD040152	1	SNAP BUSHING
7	NON-SERVICEABLE	1	TUB WELDMENT
8	006158-000	1	RANGE BASE, BACK, VDSC 48
9	M0275166	2	TAPE-ALUM SL
10	002905-000	1	SIDE PANEL, RH, SST
10	005503-002	1	SIDE PANEL, RH ASSY, PAINTED XBKX
10	005503-003	1	SIDE PANEL, RH ASSY, PAINTED XBTX
10	005503-004	1	SIDE PANEL, RH ASSY, PAINTED XSGX
10	005503-005	1	SIDE PANEL, RH ASSY, PAINTED XGGX
10	005503-006	1	SIDE PANEL, RH ASSY, PAINTED XWHX
10	005503-008	1	SIDE PANEL, RH ASSY, PAINTED XBUX
10	005503-009	1	SIDE PANEL, RH ASSY, PAINTED XLEX
10	005503-010	1	SIDE PANEL, RH ASSY, PAINTED XMJX
10	005503-012	1	SIDE PANEL, RH ASSY, PAINTED XVBX
10	005503-013	1	SIDE PANEL, RH ASSY, PAINTED XCBX
10	005503-015	1	SIDE PANEL, RH ASSY, PAINTED XPLX
10	005503-016	1	SIDE PANEL, RH ASSY, PAINTED XCHX
10	005503-017	1	SIDE PANEL, RH ASSY, PAINTED XTPX
10	005503-018	1	SIDE PANEL, RH ASSY, PAINTED XCWX
10	005503-019	1	SIDE PANEL, RH ASSY, PAINTED XOGX
10	005503-020	1	SIDE PANEL, RH ASSY, PAINTED XGMX
10	005503-021	1	SIDE PANEL, RH ASSY, PAINTED XSAX
10	005503-022	1	SIDE PANEL, RH ASSY, PAINTED XSEX
10	005503-023	1	SIDE PANEL, RH ASSY, PAINTED XIBX
10	005503-024	1	SIDE PANEL, RH ASSY, PAINTED XARX
10	005503-025	1	SIDE PANEL, RH ASSY, PAINTED XRRX
10	005503-026	1	SIDE PANEL, RH ASSY, PAINTED XPMX
10	005503-027	1	SIDE PANEL, RH ASSY, PAINTED XMSX
11	007488-000	2	SINK, REAR, SIDE
12	003801-000	7	SHOULDER SCREW, NO.10
13	003644-000	1	TRIM,FRONT,SIDE,STAINLESS
14	NON-SERVICEABLE	1	TUB WELDMENT
15	023003-000	1	PLATE, CNTRL BOARD, ASM, LPS2
15	038419-000	1	CONTROL,BD,EOC4, CB AFTER 2/4/13
16	006802-000	1	COVER, ACS, LWR -VDSC548
17	PD020032	3	SRW-8(A)X3/8PH.WFR HD 7/16DIAXNICL
18	006300-000	1	KICKPLATE,RNG,SST,VDSC548
18	012315-002	1	KICKPLATE, VDSC548-BK
18	012315-003	1	KICKPLATE, BT, VDSC548
18	012315-004	1	KICKPLATE, VDSC548, SG
18	012315-005	1	KICKPLATE, VDSC548, GG
18	012315-006	1	KICKPLATE, VDSC548 - WH
18	012315-008	1	KICKPLATE, RNG BU
18	012315-009	1	KICKPLATE, VDSC548, LE
18	012315-010	1	KICKPLATE, VDSC548, MJ
18	012315-012	1	KICKPLATE, VDSC548, VB
18	012315-013	1	KICKPLATE, CB, VDSC548
18	012315-015	1	KICKPLATE, VDSC548, PL
18	012315-016	1	KICKPLATE, CH, VDSC5486G
18	012315-017	1	KICKPLATE, VDSC548, TP
18	012315-018	1	KICKPLATE, VDSC548, CW
18	012315-019	1	KICKPLATE, VDSC548, OG
18	012315-020	1	KICKPLATE, GM, VDSC548
18	012315-021	1	KICKPLATE, VDSC548, SA

Ref #	Part Number	Qty.	Description
18	012315-021	1	KICKPLATE, VDSC548, SA
18	012315-022	1	KICKPLATE, VDSC548, - SE
18	012315-023	1	KICKPLATE, IB
18	012315-024	1	KICKPLATE, AR, VDSC548
18	012315-025	1	KICKPLATE - RR
18	012315-026	1	KICKPLATE, VDSC548, PM
18	012315-027	1	KICKPLATE, VDSC548, MS
19	PD010022	4	HEX HD. BOLT - 3/4-10 X 1-1/4
20	006750-000	1	RANGE, TRIM, CTR, VDSC548
21	NON-SERVICEABLE	1	TUB WELDMENT
22	010956-000	1	OVEN,TRIM,LH,SST,FLAT,VDSC548
23	006933-000	1	RANGE,PNL,SIDE,SST,LH, 0.562 FRONT FLANGE
23	013365-002	1	SIDE PANEL ASM, LH 48 BK
23	013365-003	1	SIDE PANEL ASM, LH 48 BT
23	013365-004	1	SIDE PANEL ASM, LH 48-SG
23	013365-005	1	SIDE PANEL ASM, LH 48-GG
23	013365-006	1	SIDE PANEL ASM, LH 48 WH
23	013365-008	1	SIDE PANEL ASM, LH 48 BU
23	013365-009	1	SIDE PANEL ASM, LH 48-LE
23	013365-010	1	SIDE PANEL ASM, LH 48-MJ
23	013365-012	1	SIDE PANEL ASM, LH 48-VB
23	013365-013	1	SIDE PANEL ASM, LH 48 CB
23	013365-015	1	SIDE PANEL ASM, LH 48-PL
23	013365-016	1	SIDE PANEL ASM, LH 48-CH
23	013365-017	1	SIDE PANEL ASM, LH 48-TP
23	013365-018	1	SIDE PANEL ASM, LH 48-CW
23	013365-019	1	SIDE PANEL ASM, LH 48-OG
23	013365-020	1	SIDE PANEL ASM, LH 48-GM
23	013365-021	1	SIDE PANEL ASM, LH 48-SA
23	013365-022	1	SIDE PANEL ASM, LH 48-SE
23	013365-023	1	SIDE PANEL ASM, LH 48 IB
23	013365-024	1	SIDE PANEL ASM, LH 48-AR
23	013365-025	1	SIDE PANEL ASM, LH 48 RR
23	013365-026	1	SIDE PANEL ASM, LH 48-PM
23	013365-027	1	SIDE PANEL ASM, LH 48-MS
24	NON-SERVICEABLE	1	TUB WELDMENT
25	NON-SERVICEABLE	2	TUB WELDMENT
NI	024909-000	1	SHIELD, WRG
NI	026526-000	1	COVER, DSI BOARD, SERVICE
NI	026766-000	1	CRADLE, DSI, SERVICE



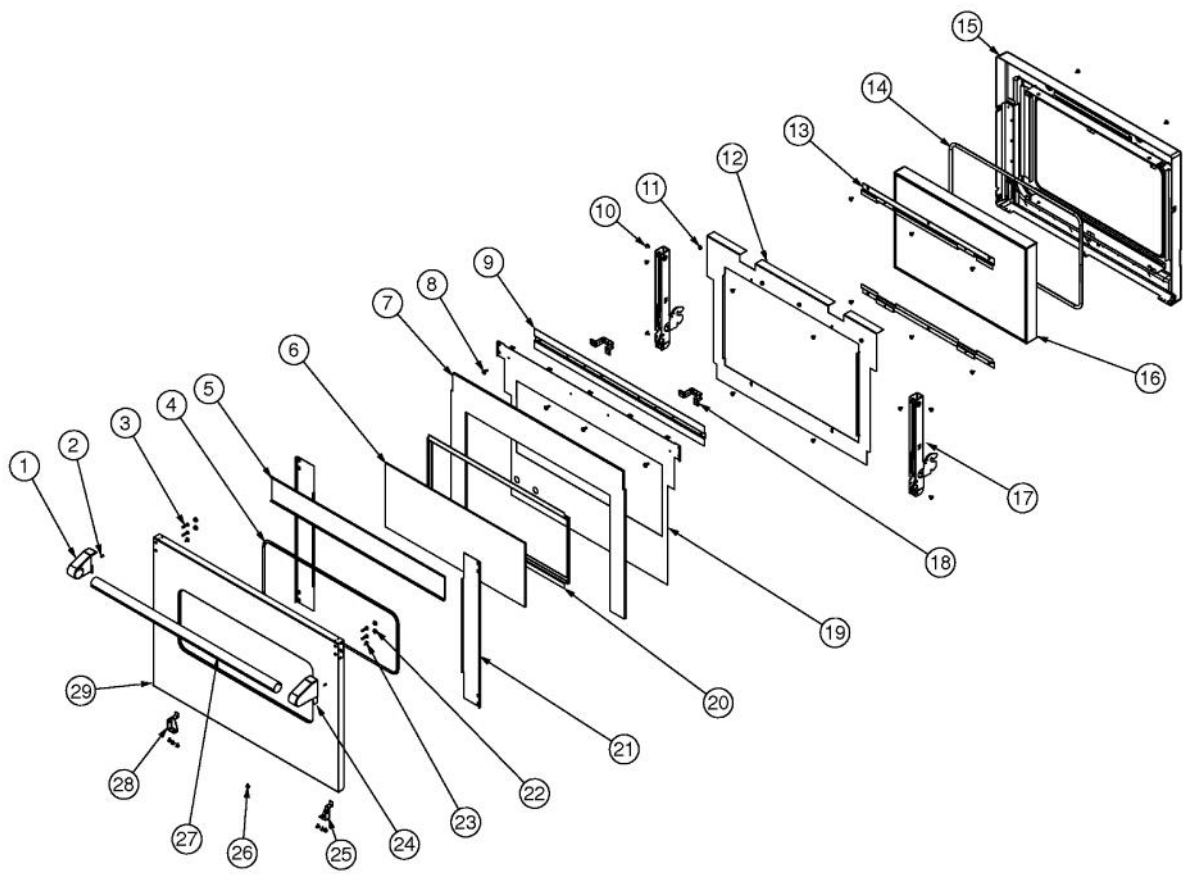
Ref #	Part Number	Qty.	Description
1	PD040005	1	SNAP BUSHING - 7/8
2	003860-000	40	NO.10-18 X .500 FASTNR,SCR,HXWH,STL,ZPLT
3	PD020055	4	NO.10 X 1/2 PAN PHIL. TEK. SS
4	007504-000	1	COVER, BACK, VDSC18
5	008831-000	1	ISLAND TRIM, ASM, 48 CUSTOM
6	A2002454	1	BACK COVER ACCESS DOOR
7	003272-000	1	COVER, REAR
8	A20010101	1	FLUE, OUTSIDE SHELL
9	A20010102	2	FLUE, CENTER EXTENDED
10	003681-000	1	DUCT, AIR
11	006400-000	1	PLATE, BACK, CTR, VDSC48
12	007441-000	1	EXHAUST, DUCT, REAR, VDSC18
13	007188-000	1	DUCT, AIR, REAR, VDSC18



Ref #	Part Number	Qty.	Description
1	003011-000	1	DOOR HANDLE ENDCAP ASSY, LH (CHROME)
1	003011-100	1	DOOR HANDLE ENDCAP ASSY, LH (BRASS)
2	003650-000	2	SET SCREW
3	006213-000	1	DOOR SKIN, 18 STAINLESS
3	012304-002	1	DOOR, SKIN, BK
3	012304-003	1	DOOR, SKIN, BT
3	012304-004	1	DOOR, SKIN, SG
3	012304-005	1	DOOR, SKIN, GG
3	012304-006	1	DOOR, SKIN, WH
3	012304-008	1	DOOR, SKIN, VDSC18 BU
3	012304-009	1	DOOR, SKIN, LE
3	012304-010	1	DOOR, SKIN, MJ
3	012304-012	1	DOOR, SKIN, VB
3	012304-013	1	DOOR, SKIN, CB
3	012304-015	1	DOOR, SKIN, PL
3	012304-016	1	DOOR, SKIN, CH
3	012304-017	1	DOOR, SKIN, TP
3	012304-018	1	DOOR, SKIN, CW
3	012304-019	1	DOOR, SKIN, OG
3	012304-020	1	DOOR, SKIN, GM
3	012304-021	1	DOOR, SKIN, SA
3	012304-022	1	DOOR, SKIN, SE
3	012304-023	1	DOOR, SKIN, IB
3	012304-024	1	DOOR SKIN, VDSC18, AR
3	012304-025	1	DOOR, SKIN, RR
3	012304-026	1	DOOR, SKIN, PM
3	012304-027	1	DOOR, SKIN, MS
4	002736-000	1	NO.10-32 PAN HEAD PHILLIPS MACHINE SCREW
5	011178-000	1	DOOR SKIN LH HEAT SINK, 18
6	006219-000	1	DOOR SKIN HEAT SINK, 18
7	009428-000	1	BRACKET, DOOR, RH, VDSC18, SKIN
8	020437-000	2	WINDOW HOLDER
9	006220-000	1	INSULATION, DOOR, SKIN, TOP, VDSC18
10	PD020033	2	SRW-NO.10-24X1/2T(23)PH.WFR HD (NKL)
11	A21014003	1	DOOR LINER MTG. BRKT.
12	PD020063	24	SCREW-NO.8(A) X 3/8PH WFR HD/BK OXID
13	009426-000	4	STANDOFF, BRACKET, DOOR, LINER, VDSC18
14	PD030010	1	NO.10-24 KEPS NUT
15	006209-000	1	DOOR LINER INSULATION RETAINER, 18
16	005300-000	1	GLASS, WINDOW PACK, 18
17	000594-000	1	BLACK FIBERGLASS ROPE 3/8
18	002709-000	1	DOOR LINER WELDED ASM, VDSC18
19	006207-000	2	DOOR GLASS HOLDER BRACKET, 18 DOOR
20	008276-000	1	HINGE, DOOR, VDSC18-PURPLE SPRING
21	006224-000	1	BRACKET, DOOR, MT, VDSC 18
22	006222-000	1	DOOR SKIN INSULATION RETAINER 18
23	006218-000	1	DOOR, GLASS, OUTER 18
24	009427-000	1	BRACKET, DOOR, LH, VDSC18, SKIN
25	006214-000	1	DOOR, SKIN, J-MOLD, VDSC 18, CHROME
26	004907-000	2	STEEL FINISHING PLUG, NICKEL PLTD 25/64 HOLE
27	003012-000	1	DOOR HANDLE ENDCAP ASSY, RH (CHROME)
27	003012-100	1	DOOR HANDLE ENDCAP ASSY, RH (BRASS)
28	006807-000	1	HINGE, BRKT, RH
29	PD020032	6	SRW-8(A)X3/8PH.WFR HD 7/16DIAXNICL
30	006221-000	1	18 DOOR HANDLE, SST
31	006808-000	1	HINGE, BRKT, LH
32	PE010030	1	LOGO, 6, PRO, BK
32	PE010068	1	LOGO, 6, PRO, BK/BR
33	PD030006	2	CAPPED WASHER PAL NUT
NI	023353-000	1	SRV DDOR SKIN KIT, VDSC548, LH,SS

Ref #	Part Number	Qty.	Description
NI	023353-000	1	SRV DDOR SKIN KIT, VDSC548, LH,SS
NI	021308-002	1	LH DOOR SKIN SRV ASM - BK
NI	021308-003	1	LH DOOR SKIN SRV ASM - BT
NI	021308-004	1	LH DOOR SKIN SRV ASM - SG
NI	021308-005	1	LH DOOR SKIN SRV ASM - GG
NI	021308-006	1	LH DOOR SKIN SRV ASM - WH
NI	021308-008	1	LH DOOR SKIN SRV ASM - BU
NI	021308-009	1	LH DOOR SKIN SRV ASM - LE
NI	021308-010	1	LH DOOR SKIN SRV ASM - MJ
NI	021308-012	1	LH DOOR SKIN SRV ASM - VB
NI	021308-013	1	LH DOOR SKIN SRV ASM - CB
NI	021308-015	1	LH DOOR SKIN SRV ASM - PL
NI	021308-016	1	LH DOOR SKIN SRV ASM - CH
NI	021308-017	1	LH DOOR SKIN SRV ASM - TP
NI	021308-018	1	LH DOOR SKIN SRV ASM - CW
NI	021308-019	1	LH DOOR SKIN SRV ASM - OG
NI	021308-020	1	LH DOOR SKIN SRV ASM - GM
NI	021308-021	1	LH DOOR SKIN SRV ASM - SA
NI	021308-022	1	LH DOOR SKIN SRV ASM - SE
NI	021308-023	1	LH DOOR SKIN SRV ASM - IB
NI	021308-024	1	LH DOOR SKIN SRV ASM - AR
NI	021308-025	1	LH DOOR SKIN SRV ASM - RR
NI	021308-026	1	LH DOOR SKIN SRV ASM - PM
NI	021308-027	1	LH DOOR SKIN SRV ASM - MS
NI	023353-100	1	SVC DOOR SKIN KIT, VDSC548, LH, SS, BR
NI	021308-102	1	DOOR SKIN ASSY, LH, BK/BR
NI	021308-103	1	DOOR SKIN ASSY, LH, BT/BR
NI	021308-104	1	DOOR SKIN ASSY, LH, SG/BR
NI	021308-105	1	DOOR SKIN ASSY, LH, GG/BR
NI	021308-106	1	DOOR SKIN ASSY, LH, WH/BR
NI	021308-108	1	DOOR SKIN ASSY, LH, BU/BR
NI	021308-109	1	DOOR SKIN ASSY, LH, LE/BR
NI	021308-110	1	DOOR SKIN ASSY, LH, MU/BR
NI	021308-112	1	DOOR SKIN ASSY, LH, VB/BR
NI	021308-113	1	DOOR SKIN ASSY, LH, CB/BR
NI	021308-115	1	DOOR SKIN ASSY, LH, PL/BR
NI	021308-116	1	DOOR SKIN ASSY, LH, CH/BR
NI	021308-117	1	DOOR SKIN ASSY, LH, TP/BR
NI	021308-118	1	DOOR SKIN ASSY, LH, CW/BR
NI	021308-119	1	DOOR SKIN ASSY, LH, OG/BR
NI	021308-120	1	DOOR SKIN ASSY, LH, GM/BR
NI	021308-121	1	DOOR SKIN ASSY, LH, SA/BR
NI	021308-122	1	DOOR SKIN ASSY, LH, SE/BR
NI	021308-123	1	DOOR SKIN ASSY, LH, IB/BR
NI	021308-124	1	DOOR SKIN ASSY, LH, AR/BR
NI	021308-125	1	DOOR SKIN ASSY, LH, RR/BR
NI	021308-126	1	DOOR SKIN ASSY, LH, PM/BR
NI	021308-127	1	DOOR SKIN ASSY, LH, MS/BR
NI	006227-000	1	DOOR ASM, 18", W/ LOGO, SS
NI	013357-002	1	DOOR ASM, 18", W/ LOGO, BK
NI	013357-003	1	DOOR ASM, 18", W/ LOGO, BT
NI	013357-004	1	DOOR ASM, 18", W/ LOGO, SG
NI	013357-005	1	DOOR ASM, 18", W/ LOGO, GG
NI	013357-006	1	DOOR ASM, 18", W/ LOGO, WH
NI	013357-008	1	DOOR ASM, 18", W/ LOGO, BU
NI	013357-009	1	DOOR ASM, 18", W/ LOGO, LE
NI	013357-010	1	DOOR ASM, 18", W/ LOGO, MJ
NI	013357-012	1	DOOR ASM, 18", W/ LOGO, CB
NI	013357-013	1	DOOR, ASM - CB
NI	013357-015	1	DOOR ASM, 18", W/ LOGO, PL

Ref #	Part Number	Qty.	Description
NI	013357-015	1	DOOR ASM, 18', W/ LOGO, PL
NI	013357-016	1	DOOR ASM, 18', W/ LOGO, CH
NI	013357-017	1	DOOR ASM, 18', W/ LOGO, TP
NI	013357-018	1	DOOR ASM, 18', W/ LOGO, CW
NI	013357-019	1	DOOR ASM, 18', W/ LOGO, OG
NI	013357-020	1	DOOR ASM, 18', W/ LOGO, GM
NI	013357-021	1	DOOR ASM, 18', W/ LOGO, SA
NI	013357-022	1	DOOR ASM, 18', W/ LOGO, SE
NI	013357-023	1	DOOR ASM, 18', W/ LOGO, IB
NI	013357-024	1	DOOR ASM, 18', W/ LOGO, AR
NI	013357-025	1	DOOR ASM, 18', W/ LOGO, RR
NI	013357-026	1	DOOR ASM, 18', W/ LOGO, PM
NI	013357-027	1	DOOR ASM, 18', W/ LOGO, MS
NI	006227-100	1	DOOR ASM, VDSC18, SS/BR
NI	013357-102	1	DOOR ASM, 18', W/ LOGO, BK/BR
NI	013357-103	1	DOOR ASM, 18', W/ LOGO, BT/BR
NI	013357-104	1	DOOR ASM, 18', W/ LOGO, SG/BR
NI	013357-105	1	DOOR ASM, 18', W/ LOGO, GG/BR
NI	013357-106	1	DOOR ASM, 18', W/ LOGO, WH/BR
NI	013357-108	1	DOOR ASM, 18', W/ LOGO, BU/BR
NI	013357-109	1	DOOR ASM, 18', W/ LOGO, LE/BR
NI	013357-110	1	DOOR ASM, 18', W/ LOGO, MJ/BR
NI	013357-112	1	DOOR ASM, 18', W/ LOGO, VB/BR
NI	013357-113	1	DOOR ASM, 18', W/ LOGO, CB/BR
NI	013357-115	1	DOOR ASM, 18', W/ LOGO, PL/BR
NI	013357-116	1	DOOR ASM, 18', W/ LOGO, CH/BR
NI	013357-117	1	DOOR ASM, 18', W/ LOGO, TP/BR
NI	013357-118	1	DOOR ASM, 18', W/ LOGO, CW/BR
NI	013357-119	1	DOOR ASM, 18', W/ LOGO, OG/BR
NI	013357-120	1	DOOR ASM, 18', W/ LOGO, GM/BR
NI	013357-121	1	DOOR ASM, 18', W/ LOGO, SA/BR
NI	013357-122	1	DOOR ASM, 18', W/ LOGO, SE/BR
NI	013357-123	1	DOOR ASM, 18', W/ LOGO, IB/BR
NI	013357-124	1	DOOR ASM, 18', W/ LOGO, AR/BR
NI	013357-125	1	DOOR ASM, 18', W/ LOGO, RR/BR
NI	013357-126	1	DOOR ASM, 18', W/ LOGO, PM/BR
NI	013357-127	1	DOOR ASM, 18', W/ LOGO, MS/BR



Ref #	Part Number	Qty.	Description
1	003011-000	1	DOOR HANDLE ENDCAP ASSY, LH (CHROME)
1	003011-100	1	DOOR HANDLE ENDCAP ASSY, LH (BRASS)
2	003650-000	2	SET SCREW
3	002736-000	4	NO.10-32 PAN HEAD PHILLIPS MACHINE SCREW
4	PE060105	1	30 J-MOLD (CHROME) NOT FIELD REPLACEABLE
5	002724-000	1	DOOR SKIN HEAT SINK, 30
6	PE060090	1	30 PROF. OUTER DOOR GLASS
7	002727-000	1	DOOR SKIN INSULATION, 30
8	PD020033	4	SRW-NO.10-24X1/2T(23)PH.WFR HD (NKL)
9	002732-000	1	DOOR SKIN MOUNTING BRACKET ASSY
10	PD020063	18	SCREW-NO.8(A) X 3/8PH WFR HD/BK OXID
11	PD030010	4	NO.10-24 KEPS NUT
12	004152-000	1	DOOR LINER INSULATION RETAINER, 30
13	004153-000	2	DOOR GLASS HOLDER BRACKET
14	000594-000	1	BLACK FIBERGLASS ROPE 3/8
15	015412-000	1	DOOR LINER SPOTWELD ASM
16	PE060094	1	30 WINDOW PACK
17	002740-000	2	MANSFIELD HINGE, BLUE SPRING
18	A21014003	2	DOOR LINER MTG. BRKT.
19	002730-000	1	DOOR SKIN INSULATION RETAINER, BLACK
20	L20014077	1	30 WINDOW HOLDER NOT FIELD REPLACEABLE
21	002726-000	2	DOOR SKIN SIDE BRACKET
22	004907-000	4	STEEL FINISHING PLUG, NICKEL PLTD 25/64 HOLE
23	PD020073	2	SRW NO.10 X 24 X 3/8 WAFER HD TYPE23
24	003012-000	1	DOOR HANDLE ENDCAP ASSY, RH (CHROME)
24	003012-100	1	DOOR HANDLE ENDCAP ASSY, RH (BRASS)
25	A20012640	1	HINGE SUPPORT RH
26	PD020032	7	SRW-8(A)X3/8PH.WFR HD 7/16DIAXNICL
27	002728-000	1	DOOR HANDLE - SS, 1.25 OD
28	A20012641	1	HINGE SUPPORT LH
29	006803-000	1	DOOR SKIN, 30 W/O LOGO SS
29	012313-002	1	DOOR, SKIN, BK
29	012313-003	1	DOOR, SKIN, BT
29	012313-004	1	DOOR, SKIN, SG
29	012313-005	1	DOOR, SKIN, GG
29	012313-006	1	DOOR, SKIN, WH
29	012313-008	1	DOOR SKIN, VDSC 48, RH, BU
29	012313-009	1	DOOR, SKIN, LE
29	012313-010	1	DOOR, SKIN, MJ
29	012313-012	1	DOOR, SKIN, VB
29	012313-013	1	DOOR, SKIN, CB
29	012313-015	1	DOOR, SKIN, PL
29	012313-016	1	DOOR, SKIN, CH
29	012313-017	1	DOOR, SKIN, TP
29	012313-018	1	DOOR, SKIN, CW
29	012313-019	1	DOOR, SKIN, OG
29	012313-020	1	DOOR, SKIN, GM
29	012313-021	1	DOOR, SKIN, SA
29	012313-022	1	DOOR SKIN, SE, VDSC 48, RH
29	012313-023	1	DOOR, SKIN, IB
29	012313-024	1	DOOR SKIN, CRS, VDSC 48, RH
29	012313-025	1	DOOR, SKIN, RR
29	012313-026	1	DOOR, SKIN, PM
29	012313-027	1	DOOR, SKIN, MS
29	021143-000	1	SERVICE DOOR SKIN KIT 30 SS
29	021144-002	1	SERVICE DOOR SKIN KIT 30 BK
29	021144-003	1	SERVICE DOOR SKIN KIT 30 BT
29	021144-004	1	SERVICE DOOR SKIN KIT 30 SG
29	021144-005	1	SERVICE DOOR SKIN KIT 30 GG
29	021144-006	1	SERVICE DOOR SKIN KIT 30 WH

Ref #	Part Number	Qty.	Description
29	021144-006	1	SERVICE DOOR SKIN KIT 30 WH
29	021144-008	1	SERVICE DOOR SKIN KIT 30 BU
29	021144-009	1	SERVICE DOOR SKIN KIT 30 LE
29	021144-010	1	SERVICE DOOR SKIN KIT 30 MJ
29	021144-012	1	SERVICE DOOR SKIN KIT 30 VB
29	021144-013	1	SERVICE DOOR SKIN KIT 30 CB
29	021144-015	1	SERVICE DOOR SKIN KIT 30 PL
29	021144-016	1	SERVICE DOOR SKIN KIT 30 CH
29	021144-017	1	SERVICE DOOR SKIN KIT 30 TP
29	021144-018	1	SERVICE DOOR SKIN KIT 30 CW
29	021144-019	1	SERVICE DOOR SKIN KIT 30 OG
29	021144-020	1	SERVICE DOOR SKIN KIT 30 GM
29	021144-021	1	SERVICE DOOR SKIN KIT 30 SA
29	021144-022	1	SERVICE DOOR SKIN KIT 30 SE
29	021144-023	1	SERVICE DOOR SKIN KIT 30 IB
29	021144-024	1	SERVICE DOOR SKIN KIT 30 AR
29	021144-025	1	SERVICE DOOR SKIN KIT 30 RR
29	021144-026	1	SERVICE DOOR SKIN KIT 30 PM
29	021144-027	1	SERVICE DOOR SKIN KIT 30 MS
29	021143-100	1	DOOR SKIN ASSY, RH, SS/BR
29	021144-102	1	DOOR SKIN ASSY, RH, BK/BR
29	021144-103	1	DOOR SKIN ASSY, RH, BT/BR
29	021144-104	1	DOOR SKIN ASSY, RH, SG/BR
29	021144-105	1	DOOR SKIN ASSY, RH, GG/BR
29	021144-106	1	DOOR SKIN ASSY, RH, WH/BR
29	021144-108	1	DOOR SKIN ASSY, RH, BU/BR
29	021144-109	1	DOOR SKIN ASSY, RH, LE/BR
29	021144-110	1	DOOR SKIN ASSY, RH, MU/BR
29	021144-112	1	DOOR SKIN ASSY, RH, VB/BR
29	021144-113	1	DOOR SKIN ASSY, RH, CB/BR
29	021144-115	1	DOOR SKIN ASSY, RH, PL/BR
29	021144-116	1	DOOR SKIN ASSY, RH, CH/BR
29	021144-117	1	DOOR SKIN ASSY, RH, TP/BR
29	021144-118	1	DOOR SKIN ASSY, RH, CW/BR
29	021144-119	1	DOOR SKIN ASSY, RH, OG/BR
29	021144-120	1	DOOR SKIN ASSY, RH, GM/BR
29	021144-121	1	DOOR SKIN ASSY, RH, SA/BR
29	021144-122	1	DOOR SKIN ASSY, RH, SE/BR
29	021144-123	1	DOOR SKIN ASSY, RH, IB/BR
29	021144-124	1	DOOR SKIN ASSY, RH, AR/BR
29	021144-125	1	DOOR SKIN ASSY, RH, RR/BR
29	021144-126	1	DOOR SKIN ASSY, RH, PM/BR
29	021144-127	1	DOOR SKIN ASSY, RH, MS/BR
29	006805-000	1	DOOR ASM, 30, SS, NO LOGO
29	013357-002	1	DOOR ASM, 18', W/ LOGO, BK
29	013357-003	1	DOOR ASM, 18', W/ LOGO, BT
29	013357-004	1	DOOR ASM, 18', W/ LOGO, SG
29	013357-005	1	DOOR ASM, 18', W/ LOGO, GG
29	013357-006	1	DOOR ASM, 18', W/ LOGO, WH
29	013357-008	1	DOOR ASM, 18', W/ LOGO, BU
29	013357-009	1	DOOR ASM, 18', W/ LOGO, LE
29	013357-010	1	DOOR ASM, 18', W/ LOGO, MJ
29	013357-012	1	DOOR ASM, 18', W/ LOGO, CB
29	013357-013	1	DOOR, ASM - CB
29	013357-015	1	DOOR ASM, 18', W/ LOGO, PL
29	013357-016	1	DOOR ASM, 18', W/ LOGO, CH
29	013357-017	1	DOOR ASM, 18', W/ LOGO, TP
29	013357-018	1	DOOR ASM, 18', W/ LOGO, CW
29	013357-019	1	DOOR ASM, 18', W/ LOGO, OG
29	013357-020	1	DOOR ASM, 18', W/ LOGO, GM

Ref #	Part Number	Qty.	Description
29	013357-020	1	DOOR ASM, 18', W/ LOGO, GM
29	013357-021	1	DOOR ASM, 18', W/ LOGO, SA
29	013357-022	1	DOOR ASM, 18', W/ LOGO, SE
29	013357-023	1	DOOR ASM, 18', W/ LOGO, IB
29	013357-024	1	DOOR ASM, 18', W/ LOGO, AR
29	013357-025	1	DOOR ASM, 18', W/ LOGO, RR
29	013357-026	1	DOOR ASM, 18', W/ LOGO, PM
29	013357-027	1	DOOR ASM, 18', W/ LOGO, MS
29	006805-100	1	DOOR ASM, 30, SS/BR, NO LOGO
29	013357-102	1	DOOR ASM, 18', W/ LOGO, BK/BR
29	013357-103	1	DOOR ASM, 18', W/ LOGO, BT/BR
29	013357-104	1	DOOR ASM, 18', W/ LOGO, SG/BR
29	013357-105	1	DOOR ASM, 18', W/ LOGO, GG/BR
29	013357-106	1	DOOR ASM, 18', W/ LOGO, WH/BR
29	013357-108	1	DOOR ASM, 18', W/ LOGO, BU/BR
29	013357-109	1	DOOR ASM, 18', W/ LOGO, LE/BR
29	013357-110	1	DOOR ASM, 18', W/ LOGO, MJ/BR
29	013357-112	1	DOOR ASM, 18', W/ LOGO, VB/BR
29	013357-113	1	DOOR ASM, 18', W/ LOGO, CB/BR
29	013357-115	1	DOOR ASM, 18', W/ LOGO, PL/BR
29	013357-116	1	DOOR ASM, 18', W/ LOGO, CH/BR
29	013357-117	1	DOOR ASM, 18', W/ LOGO, TP/BR
29	013357-118	1	DOOR ASM, 18', W/ LOGO, CW/BR
29	013357-119	1	DOOR ASM, 18', W/ LOGO, OG/BR
29	013357-120	1	DOOR ASM, 18', W/ LOGO, GM/BR
29	013357-121	1	DOOR ASM, 18', W/ LOGO, SA/BR
29	013357-122	1	DOOR ASM, 18', W/ LOGO, SE/BR
29	013357-123	1	DOOR ASM, 18', W/ LOGO, IB/BR
29	013357-124	1	DOOR ASM, 18', W/ LOGO, AR/BR
29	013357-125	1	DOOR ASM, 18', W/ LOGO, RR/BR
29	013357-126	1	DOOR ASM, 18', W/ LOGO, PM/BR
29	013357-127	1	DOOR ASM, 18', W/ LOGO, MS/BR

*No Image
Available*

Ref #	Part Number	Qty.	Description
NI	015100-000	1	HARNESS,WIRING,VDSC530-T
NI	020020-000	1	HARNESS, WRG, TEST, EOC4 DOUBLE OVEN
NI	PE070739	1	BAKE ELEMENT HARNESS
NI	PE070735	1	MEAT PROBE HARNESS
NI	020018-000	1	HARNESS, WIRING - LH OVEN
NI	013406-000	1	HARNESS, BAKE, ELEMENT, VDSC18
NI	013295-000	1	HARNESS, LIGHT SWITCH, VDSC548
NI	PE070892	1	IRIS HARNESS - 60
NI	009665-000	1	GRIDDLE, POWER, HARNESS, VDSC CUSTOM (BEFORE 1/13/11)
NI	024374-000	1	HARNESS, WRG, GRIDDLE (ON OR AFTER 1/13/11)
NI	012828-000	1	HARNESS, GROUND, DSI, VDSC536-4G
NI	013625-000	1	VDSC548-4GQ GRIDDLE HARNESS
NI	007378-000	1	LIGHT SWITCH HARNESS
NI	020019-000	1	HARNESS, WRG, CONTROL
NI	021319-000	1	HARNESS, ADPT, LED, 125V TO 2V
NI	024909-000	1	SHIELD, WRG