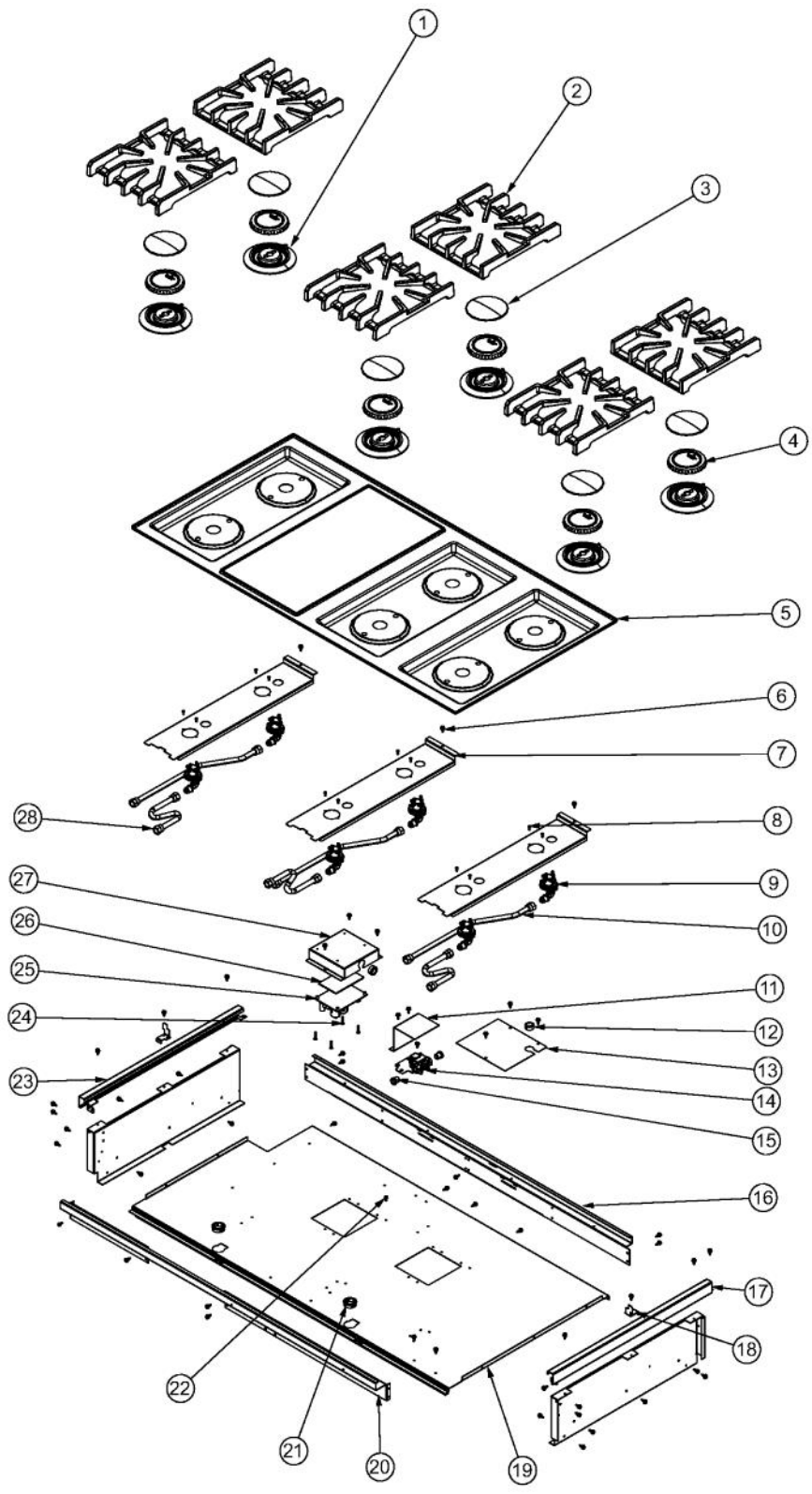
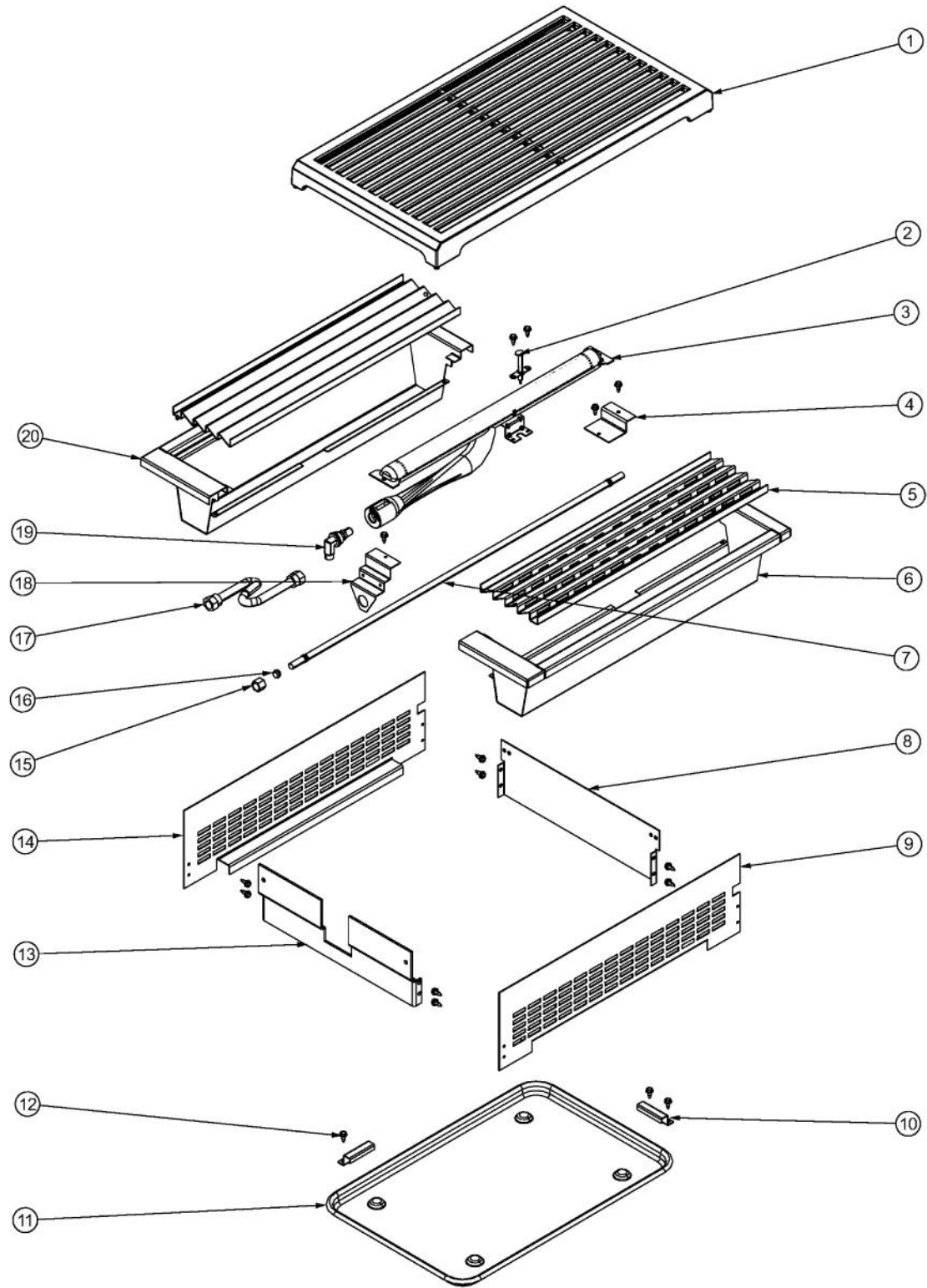


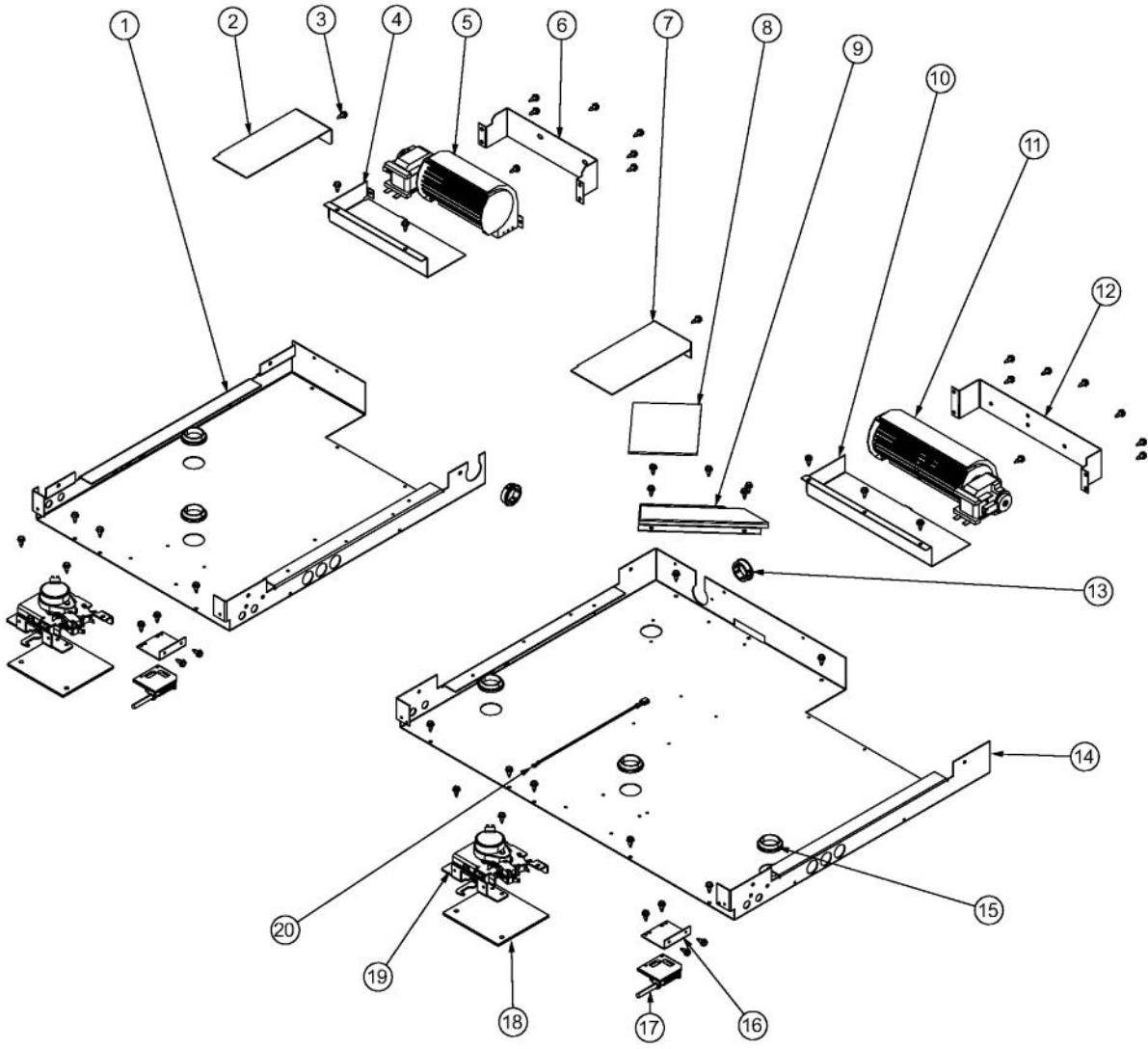
| Ref # | Part Number | Qty. | Description                               |
|-------|-------------|------|---|
| 1     | 019312-000  | 1    | PANEL,CTRL,FNSH,W/GRAPH,VDSC548T-6Q       |
| 2     | PJ030035    | 1    | THERMOSTAT                                |
| 3     | PJ030033    | 1    | SELECTOR (10 POS)                         |
| 4     | 006015-000  | 6    | VALVE, BRS, SEALED TOP - ISPHORDING       |
| 5     | 019814-000  | 1    | MANIFOLD, GAS, ASM, LH                    |
| 6     | PA070001    | 1    | PRESSURE REGULATOR (NAT.)                 |
| 6     | 000714-000  | 1    | LP REGULATOR                              |
| 7     | PB030007    | 1    | SHUT OFF VALVE                            |
| 8     | PB020112    | 1    | 3/8 SS FLEX TUBING - 36 T6-36             |
| 9     | PD010003    | 8    | 10-24 X 1/2 PH.TR.HD.SERD.M.S.            |
| 10    | 006766-000  | 3    | IRIS IGNITOR WIRE, BACK BURNER            |
| 11    | 000647-000  | 3    | IRIS IGNITOR WIRE, FRONT BURNER           |
| 12    | 019190-000  | 1    | MANIFOLD ASM                              |
| 13    | PE070891    | 1    | IRIS HARNESS - 48                         |
| 14    | PA020058    | 7    | IRIS SINGLE SPARK MODULE                  |
| 15    | 013995-000  | 1    | VDSC ELECTRONIC CONTROLS MODULE           |
| 16    | PD040004    | 4    | GROMMET BUMPER                            |
| 17    | 011717-000  | 1    | TRIM ASM                                  |
| 18    | PD020032    | 4    | SRW-8(A)X3/8PH.WFR HD 7/16DIAXNICL        |
| 19    | PB010304    | 8    | KNOB BEZEL                                |
| 20    | PD020046    | 6    | NO.8 X 1/2 SCREWS                         |
| 21    | 005269-000  | 5    | RANGE TOP BURNER KNOB-BRUSHED, SSS        |
| 22    | PD020033    | 2    | SRW-NO.10-24X1/2T(23)PH.WFR HD (NKL)      |
| 23    | 010348-000  | 2    | KNOB BEZEL,VDSC, ELECTRONIC CONTROLS, SS  |
| 24    | 013950-000  | 1    | OVEN KNOB, VDSC ELECTRONIC CONTROLS       |
| 25    | 006574-000  | 1    | KNOB, GRL, ASM, PVD, NO.3, SSS            |
| 26    | 006570-000  | 1    | KNOB, GRDL/(LH OVEN), ASM, PVD, NO.3, SSS |
| 27    | 015043-000  | 3    | INDICATOR, LIGHT, BLUE LED                |
| 28    | 006572-000  | 1    | KNOB, SEL, ASM, LH, PVD, NO.3, SSS        |
| 29    | 005270-000  | 1    | RANGE THERMOSTAT KNOB-BRUSHED, SSS        |
| 30    | PD020062    | 7    | NO.8-32 X 3/8 PHMS TYPE 1                 |
| 31    | 003719-000  | 1    | OVEN LIGHT SWITCH, BLACK                  |



| Ref # | Part Number | Qty. | Description                                  |
|-------|-------------|------|--|
| 1     | 003322-041  | 6    | SEALED BURNER BASE, PAINTED FINISH           |
| 2     | 007323-000  | 6    | BURNER GRATE                                 |
| 3     | PA080083    | 6    | D BURNER CAP XMATTE BLACKX                   |
| 4     | 006706-000  | 6    | B6 REV SEALED BURNER                         |
| 5     | E9109801BK  | 1    | 48 SEALED COOKTOP 6BG & 6BQ XBKX             |
| 6     | 003860-000  | 50   | NO.10-18 X .500 FASTNR,SCR,HXWH,STL,ZPLT     |
| 7     | 002923-000  | 3    | BURNER MODULE SUPPORT                        |
| 8     | PD020076    | 12   | 6-32 X 3/8 PHILL PAN MS                      |
| 9     | 001394-000  | 6    | 15000 BTU NAT JETHOLDER                      |
| 9     | 001394-044  | 1    | 16.6 K BTU LP JETHOLDER                      |
| 9     | 001394-046  | 5    | 12.5 K BTU LP JETHOLDER                      |
| 10    | PB020193    | 3    | 16 FLEX TUBING W/CONNECTORS                  |
| 11    | 009402-000  | 1    | SOLENOID HEAT SHIELD COVER                   |
| 12    | PD040005    | 2    | SNAP BUSHING - 7/8                           |
| 13    | 008904-000  | 1    | BURNER BOX, DSI COVER<br>(BEFORE 1/13/11)    |
| 13    | 024398-000  | 1    | COVER,ACS,DSI<br>(ON OR AFTER 1/13/11)       |
| 14    | 009111-000  | 1    | VALVE, SOL, SINGLE                           |
| 15    | PB040050    | 2    | 3/8CC MALE COMP. FITTING W/FERRULE           |
| 16    | 008464-000  | 1    | BRNR BOX,REAR,FLAT,SUPPORT,VDSC5484GQ 48     |
| 17    | 002920-000  | 1    | SIDE TRIM, RH - STAINLESS                    |
| 18    | 004021-000  | 2    | SUPPORT,TRIM,SIDE                            |
| 19    | 015641-000  | 1    | BURNER BOX BOT, VDSC548T<br>(BEFORE 1/13/11) |
| 19    | 024684-000  | 1    | BURNER BOX BOT<br>(ON OR AFTER 1/13/11)      |
| 20    | 008461-000  | 1    | SUPPORT, FRONT                               |
| 21    | PD040152    | 2    | SNAP BUSHING                                 |
| 22    | PD020010    | 2    | 10 X 3/8 GREEN GROUNDING SCREW               |
| 23    | 003649-000  | 1    | SIDE TRIM, LH - STAINLESS                    |
| 24    | PD020043    | 4    | NO.6-32 X .750 PH. CTRSK T(F)-VGSO166        |
| 25    | PA020056    | 1    | TYTRONICS DSI MODULE                         |
| 26    | PB070191    | 1    | INSULATION PAD                               |
| 27    | 014564-000  | 1    | DSI BOARD COVER                              |
| 28    | PB020192    | 3    | 10 FLEX TUBING W/CONNECTORS                  |

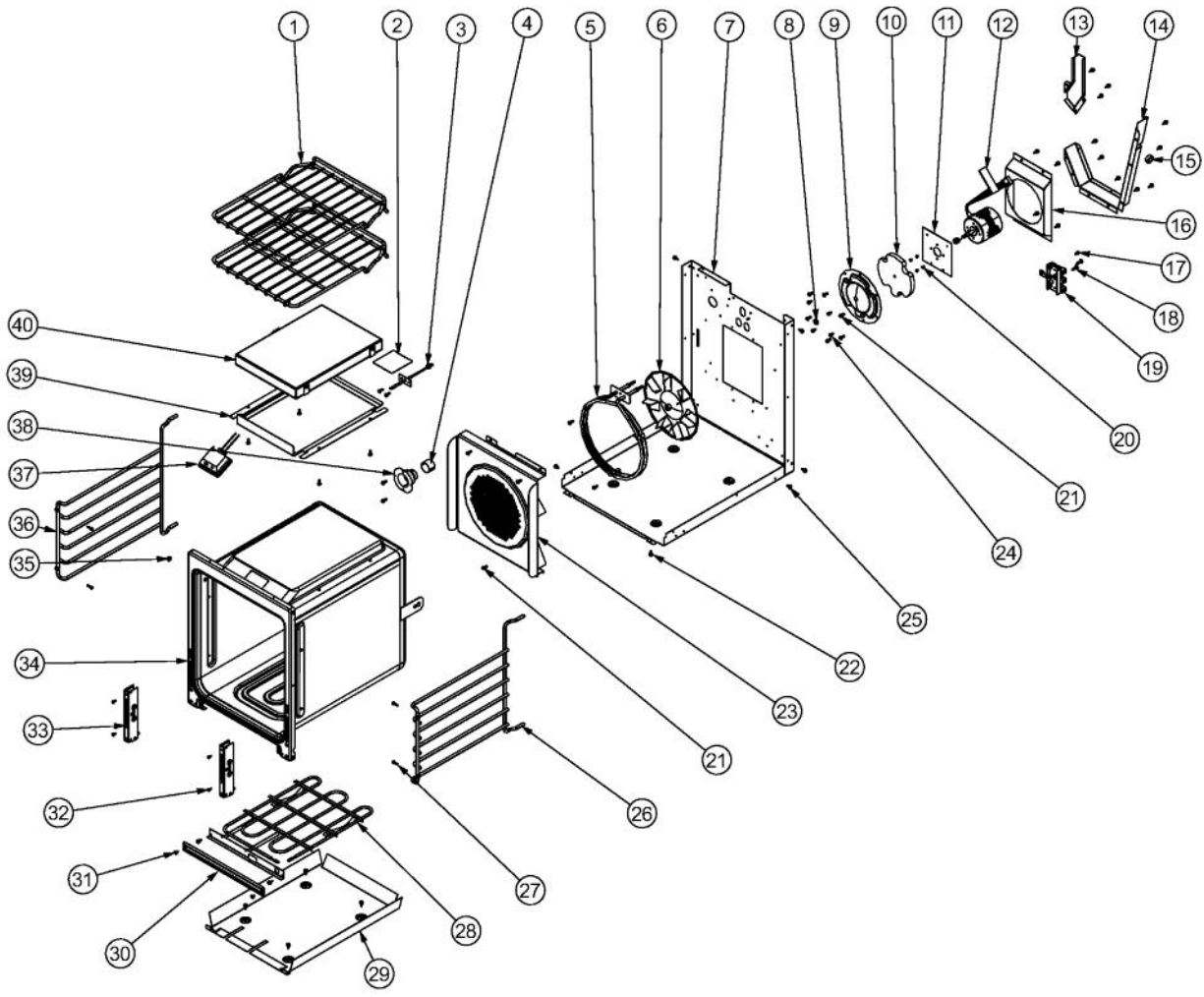


| Ref # | Part Number | Qty. | Description                                  |
|-------|-------------|------|--|
| 1     | 010168-000  | 1    | CUSTOM RANGE GRILL GRATE                     |
| 2     | PA020028    | 1    | SPARK IGNITER                                |
| 3     | 007878-000  | 1    | BURNER, GRIL, ASM                            |
| 3     | 012460-000  | 1    | BURNER, GRILL, ASM, LP CUSTOM RANGES         |
| 4     | 008636-000  | 1    | BRACKET, BURNER, GRILL, REAR                 |
| 5     | E9101130    | 2    | GRILL SMOKE GENERATOR                        |
| 6     | 013593-000  | 1    | PAN, DRIP, ASM, RIGHT                        |
| 7     | PB020111    | 1    | 3/8 SS FLEX TUBING - 27 T6-27                |
| 8     | 016794-000  | 1    | SHIELD, HEAT, REAR, Q MODELS                 |
| 9     | 016793-000  | 1    | SHIELD, HEAT, RH, Q MODELS                   |
| 10    | 008286-000  | 2    | BRACKET, DRIP, PAN, CUSTOM, Q-MODELS         |
| 11    | J2101749    | 1    | GREASE PAN                                   |
| 12    | 003860-000  | 16   | NO.10-18 X .500 FASTNR, SCR, HXWH, STL, ZPLT |
| 13    | 016796-000  | 1    | SHIELD, HEAT, FR, Q MODELS                   |
| 14    | 016792-000  | 1    | SHIELD, HEAT, LH, Q MODELS                   |
| 15    | PB040213    | 1    | 3/8 COMPRESSION NUT (DGCU)                   |
| 16    | PB040192    | 1    | 3/8` CC FERREL (DGCU)                        |
| 17    | PB020192    | 1    | 10 FLEX TUBING W/CONNECTORS                  |
| 18    | 007776-000  | 1    | MOUNT, GRILL, BURNER, FRONT                  |
| 19    | PB040238    | 1    | 90 DEGREE ORIFICE FITTING, NAT NO.47         |
| 19    | 019407-000  | 1    | 90 DEGREE ORIFICE FITTING, LP (1.19MM)       |
| 20    | 013595-000  | 1    | PAN, DRIP, ASM, LEFT                         |

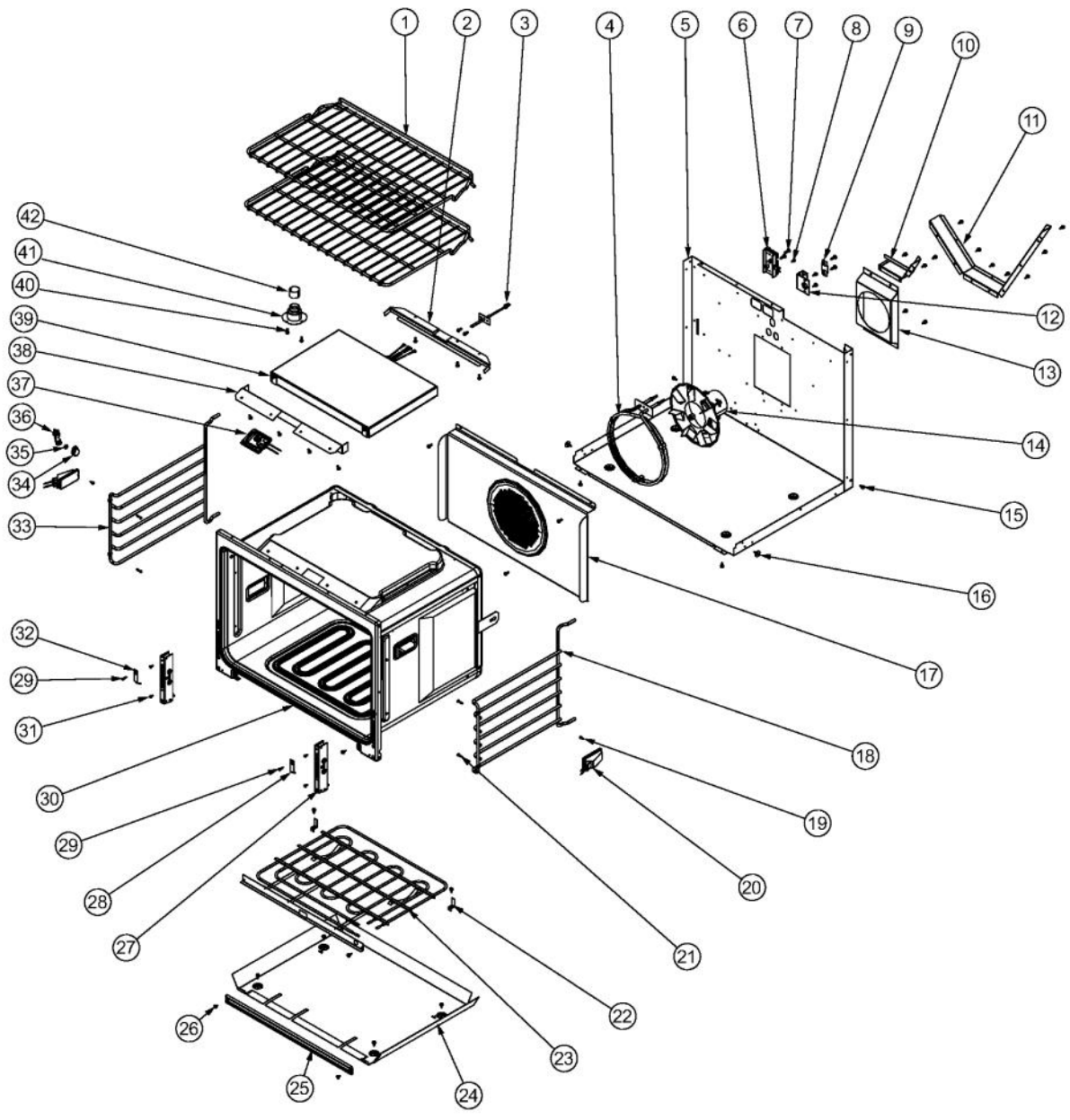


| Ref # | Part Number     | Qty. | Description   |
|-------|-----------------|------|---|
| 1     | 006195-000      | 1    | OVEN, MDL, TOP, FLAT, VDSC18                              |
| 2     | 007793-000      | 1    | PLATE, SVCE,FLAT,REGULATOR,VDSC548                        |
| 3     | 003860-000      | 49   | NO.10-18 X .500 FASTNR,SCR,HXWH,STL,ZPLT                  |
| 4     | 007419-000      | 1    | BRACKET, FAN, MT, BOT, VDSC 18                            |
| 5     | 007794-000      | 1    | COOLING FAN, VDSC 18<br>(BEFORE 8/12/2013)                |
| 5     | 018608-000      | 1    | FAN,BLO, 220-240V 50/60HZ ASSY<br>(ON OR AFTER 8/12/2013) |
| 6     | 007420-000      | 1    | COOLING, FAN, MOUNTING, BRACKET, VDSC18                   |
| 7     | 004016-000      | 1    | PLATE,SVCE,RGLT   |
| 8     | 004285-000      | 1    | INSULATION, FOIL-BACKED,4X5                               |
| 9     | 003333-000      | 1    | DUCT, FLUE  |
| 10    | A2009659        | 1    | BRACKET, FILLER, BLOWER                                   |
| 11    | PE050250        | 1    | PREMIUM BLOWER WITH HES<br>(BEFORE 8/10/2013)             |
| 11    | 018607-000      | 1    | FAN,BLO, 220-240V 50/60HZ ASSY<br>(ON OR AFTER 8/10/2013) |
| 12    | 004110-000      | 1    | MOUNT,BLOWER  |
| 13    | PD040152        | 2    | SNAP BUSHING  |
| 14    | 002754-000      | 1    | RANGE TOP BRACE, AIR CHANNEL                              |
| 15    | PB070079        | 5    | SILICONE EXTRUSION (DGSU)                                 |
| 16    | A20012649       | 2    | DOOR SWITCH BRACKET                                       |
| 17    | PE050208        | 2    | DOOR SWITCH   |
| 18    | NON-SERVICEABLE | 2    | TUB WELDMENT  |
| 19    | 013250-000      | 2    | LATCH,DOOR,ASM,240V,GRIDDLE LOCKOUT                       |
| 20    | G4000936        | 1    | GROUND WIRE   |

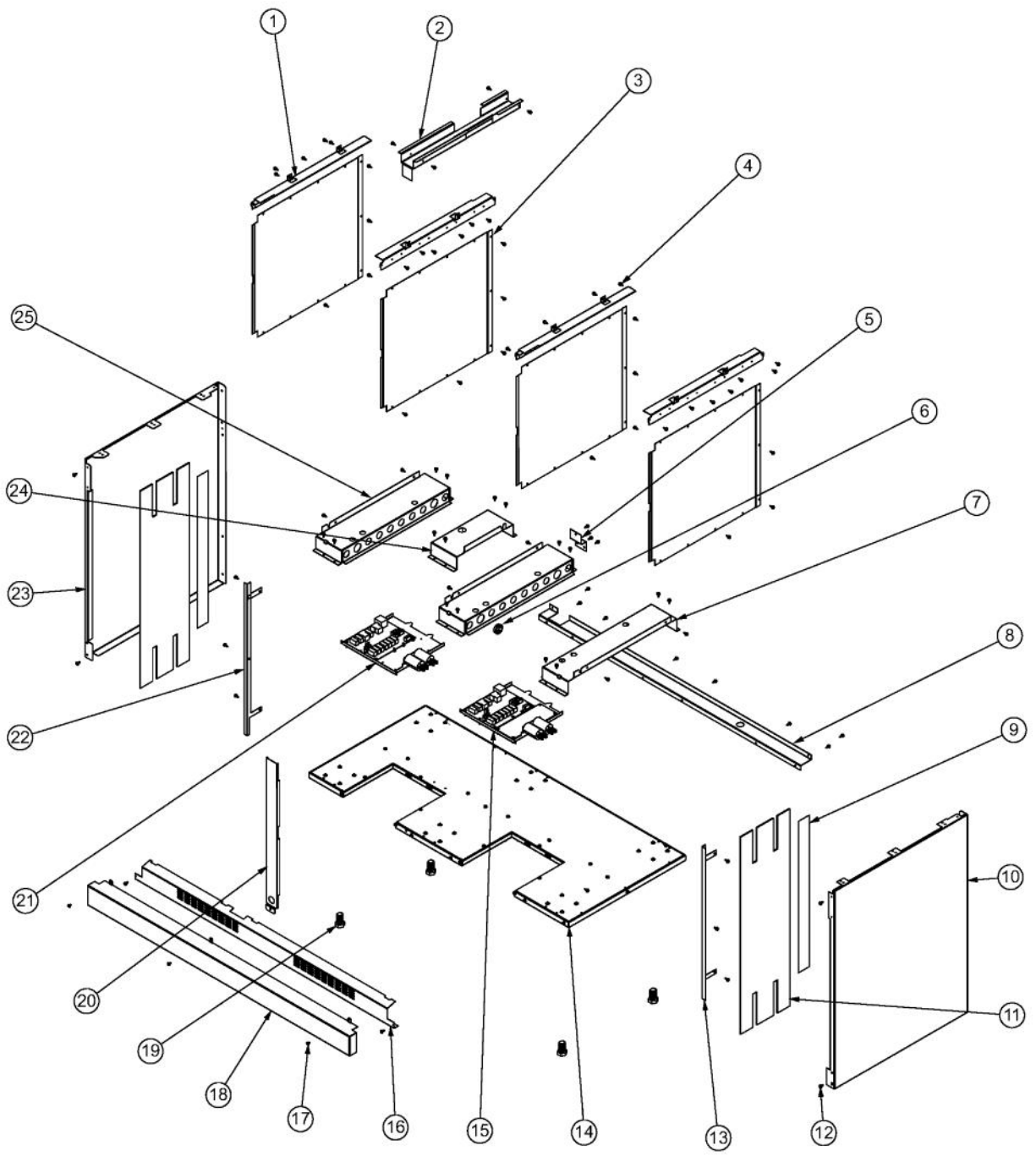




| Ref # | Part Number     | Qty. | Description                                    |
|-------|-----------------|------|--|
| 1     | 006379-000      | 2    | OVEN, RACK, ASM, STANDARD, VDSC18              |
| 2     | 006203-000      | 1    | SHIELD, RTD, VDSC18                            |
| 3     | PE050206        | 1    | RTD THERMOSTAT PROBE                           |
| 4     | PB020275        | 1    | VENT TUBE                                      |
| 5     | PJ010047        | 1    | CONVECTION ELEMENT                             |
| 6     | PE050227        | 1    | CONVECTION FAN BLADE ASSY                      |
| 7     | 006160-000      | 1    | OVEN, BACK, BOT, FLAT, VDSC18                  |
| 8     | PD030149        | 1    | 5/16 NUT                                       |
| 9     | E91012727       | 1    | PLATE, MOUNTING, CONV MOTOR                    |
| 10    | 013550-000      | 1    | CONV MOTOR MTG PLATE INSULATION                |
| 11    | 007248-000      | 1    | BAFFLE, FAN, REAR                              |
| 12    | 005458-000      | 1    | FAN, MOTOR, CONVECTION, VDSC18 OVEN            |
| 13    | 007441-000      | 1    | EXHAUST, DUCT, REAR, VDSC18                    |
| 14    | 007248-000      | 1    | BAFFLE, FAN, REAR                              |
| 15    | PD040005        | 1    | SNAP BUSHING - 7/8                             |
| 16    | A2009697        | 1    | BRACKET, CONVECTION INSULATION                 |
| 17    | PD020010        | 1    | 10 X 3/8 GREEN GROUNDING SCREW                 |
| 18    | PD020014        | 2    | 10X3/4 PH TR HD SMS                            |
| 19    | PE070147        | 1    | TERMINAL BLOCK                                 |
| 20    | PD010028        | 4    | BOLT M 4X5                                     |
| 21    | PD020048        | 19   | NO.10 X 1/2 TEK 410 SS SCREW                   |
| 22    | 003860-000      | 24   | NO.10-18 X .500 FASTNR,SCR,HXWH,STL,ZPLT       |
| 23    | 006176-000      | 1    | BAFFLE, CNVN, ASM, VDSC 18                     |
| 24    | PD020055        | 4    | NO.10 X 1/2 PAN PHIL. TEK. SS                  |
| 25    | 014143-000      | 2    | SCR 10-12 A SHLD TRP 1/2 S ZN BLUE             |
| 26    | 003039-000      | 1    | RACK GUIDE ASSY, RH                            |
| 27    | PD020232        | 4    | NO.8 X 3/4 PH PAN HEAD TEK SCREW (BLACK OXIDE) |
| 28    | 006166-000      | 1    | ELEMENT, BAKE, VDSC18                          |
| 29    | 006163-000      | 1    | ELEMENT, MTG, FLAT,TRAY,VDSC18                 |
| 30    | 003490-000      | 1    | COVER,BAKE, 18                                 |
| 31    | PD020063        | 2    | SCREW-NO 8(A) X 3/8PH WFR HD/BK OXID           |
| 32    | PD020062        | 4    | NO.8-32 X 3/8 PHMS TYPE 1                      |
| 33    | 031679-000      | 2    | RECEPTACLE, HINGE                              |
| 34    | NON-SERVICEABLE | 1    | TUB WELDMENT                                   |
| 35    | E91014053       | 1    | PORCELAIN 25/64 HOLE PLUG                      |
| 36    | 003040-000      | 1    | RACK GUIDE ASSY, LH                            |
| 37    | 020403-000      | 1    | BJB SLIMLINE 40W BULB                          |
| 38    | PM010014        | 1    | SMOKE ELIMINATOR (VDSC)                        |
| 39    | 006748-000      | 1    | BRACKET,SST,201HP,MILL,VDSC18,GLASS BROILER    |
| 40    | 006380-000      | 1    | ELEMENT, GLASS, BROILER, 18                    |

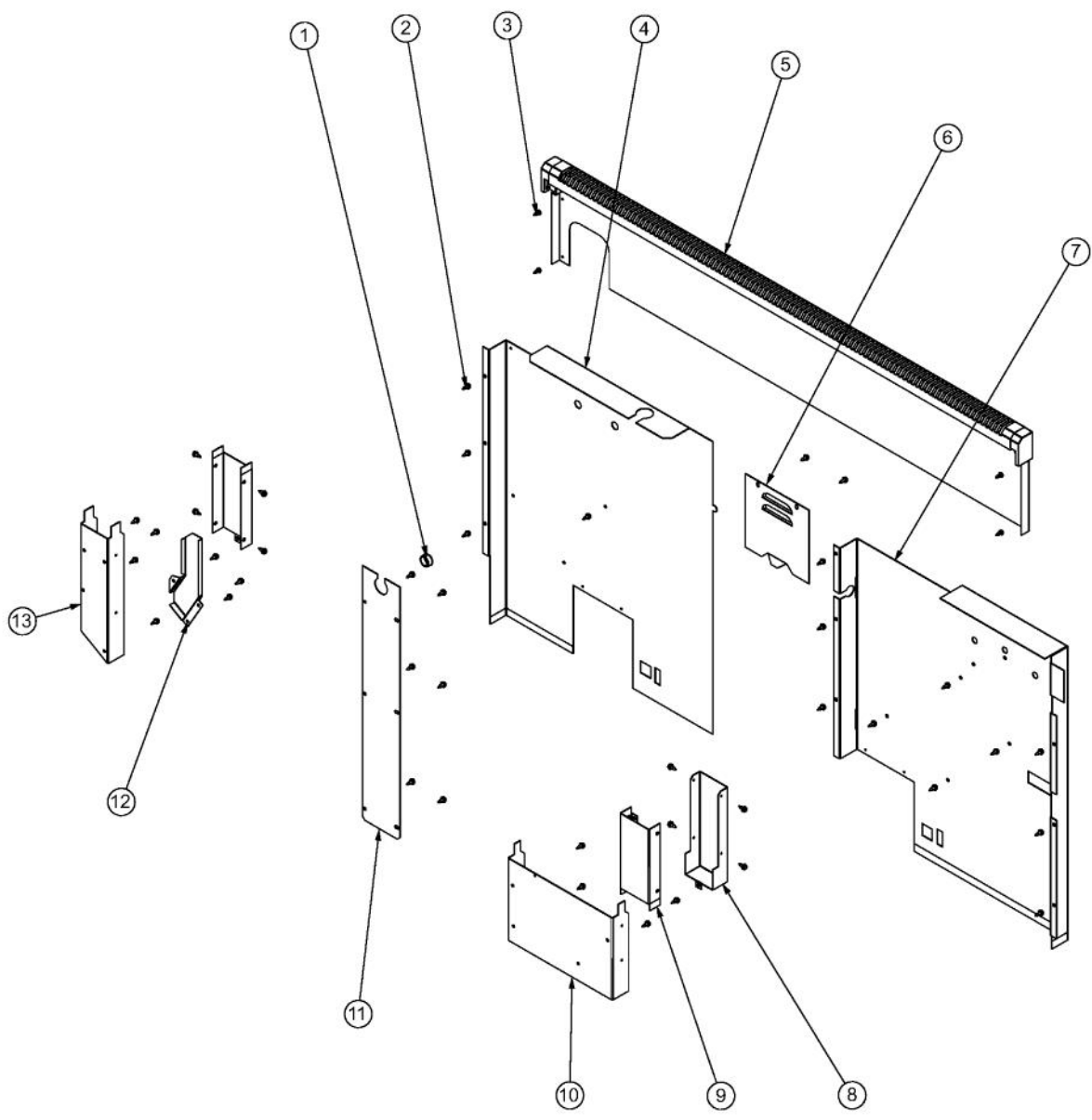


| Ref # | Part Number     | Qty. | Description                                    |
|-------|-----------------|------|--|
| 1     | PB060107        | 2    | 30 OVEN RACK                                   |
| 2     | B20014051       | 1    | PREMIERE BROIL ELEMENT BRACKET REAR            |
| 3     | PE050206        | 1    | RTD THERMOSTAT PROBE                           |
| 4     | PJ010047        | 1    | CONVECTION ELEMENT                             |
| 5     | 003244-000      | 1    | OVEN BOTTOM, BACK WRAP                         |
| 6     | PE070147        | 1    | TERMINAL BLOCK                                 |
| 7     | PD020014        | 4    | 10X3/4 PH TR HD SMS                            |
| 8     | PD020010        | 1    | 10 X 3/8 GREEN GROUNDING SCREW                 |
| 9     | A1002457        | 1    | POWER CORD MOUNTING STRAP (VDSC)               |
| 10    | 003356-000      | 1    | DIVERTER, AIR                                  |
| 11    | 002941-000      | 1    | BAFFLE, FAN, REAR                              |
| 12    | A2002195        | 1    | POWER CORD MOUNTING BRKT (VDSC)                |
| 13    | A2009697        | 1    | BRACKET, CONVECTION INSULATION                 |
| 14    | G32014020       | 1    | CONVECTION FAN ASSY                            |
| 15    | 003860-000      | 26   | NO.10-18 X .500 FASTNR,SCR,HXWH,STL,ZPLT       |
| 16    | PD020151        | 2    | SHOULDER SCREW                                 |
| 17    | G91013598       | 1    | 30 BAFFLE ASSEMBLY                             |
| 18    | 003039-000      | 1    | RACK GUIDE ASSY, RH                            |
| 19    | PD020067        | 2    | NO.6 X 3/8 PAN PHIL. TEK SS                    |
| 20    | 005311-000      | 2    | 120V/25W HALOGEN LIGHT                         |
| 21    | PD020232        | 4    | NO.8 X 3/4 PH PAN HEAD TEK SCREW (BLACK OXIDE) |
| 22    | NON-SERVICEABLE | 2    | TUB WELDMENT                                   |
| 23    | PJ010048        | 1    | BAKE ELEMENT                                   |
| 24    | A2009612        | 1    | ELEMENT, MTG TRAY                              |
| 25    | E2109655        | 1    | COVER, BAKE TRAY                               |
| 26    | PD020063        | 2    | SCREW-NO.8(A) X 3/8PH WFR HD/BK OXID           |
| 27    | 031679-000      | 2    | RECEPTACLE, HINGE                              |
| 28    | B21010915       | 1    | HINGE CLIP ? RH                                |
| 29    | PD020061        | 2    | NO.8 X 3/4 FLAT HD TEK. SS.                    |
| 30    | G30014039       | 1    | 30 PREMIERE CAVITY ASSY                        |
| 31    | PD020062        | 4    | NO.8-32 X 3/8 PHMS TYPE 1                      |
| 32    | B21010916       | 1    | HINGE CLIP ? LH                                |
| 33    | 003040-000      | 1    | RACK GUIDE ASSY, LH                            |
| 34    | PM010160        | 1    | MEAT PROBE JACK COVER                          |
| 35    | E91014053       | 1    | PORCELAIN 25/64 HOLE PLUG                      |
| 36    | PE050115        | 1    | MEAT PROBE JACK                                |
| 37    | 005312-000      | 1    | BJB SLIMLINE 40 W BULB                         |
| 38    | B20014050       | 1    | PREMIERE BROIL ELEMENT BRACKET FRONT           |
| 39    | PJ010050        | 1    | SEALED BROIL ELEMENT W/GLASS                   |
| 40    | PD020048        | 14   | NO.10 X 1/2 TEK 410 SS SCREW                   |
| 41    | NON-SERVICEABLE | 1    | TUB WELDMENT                                   |
| 42    | PB020275        | 1    | VENT TUBE                                      |



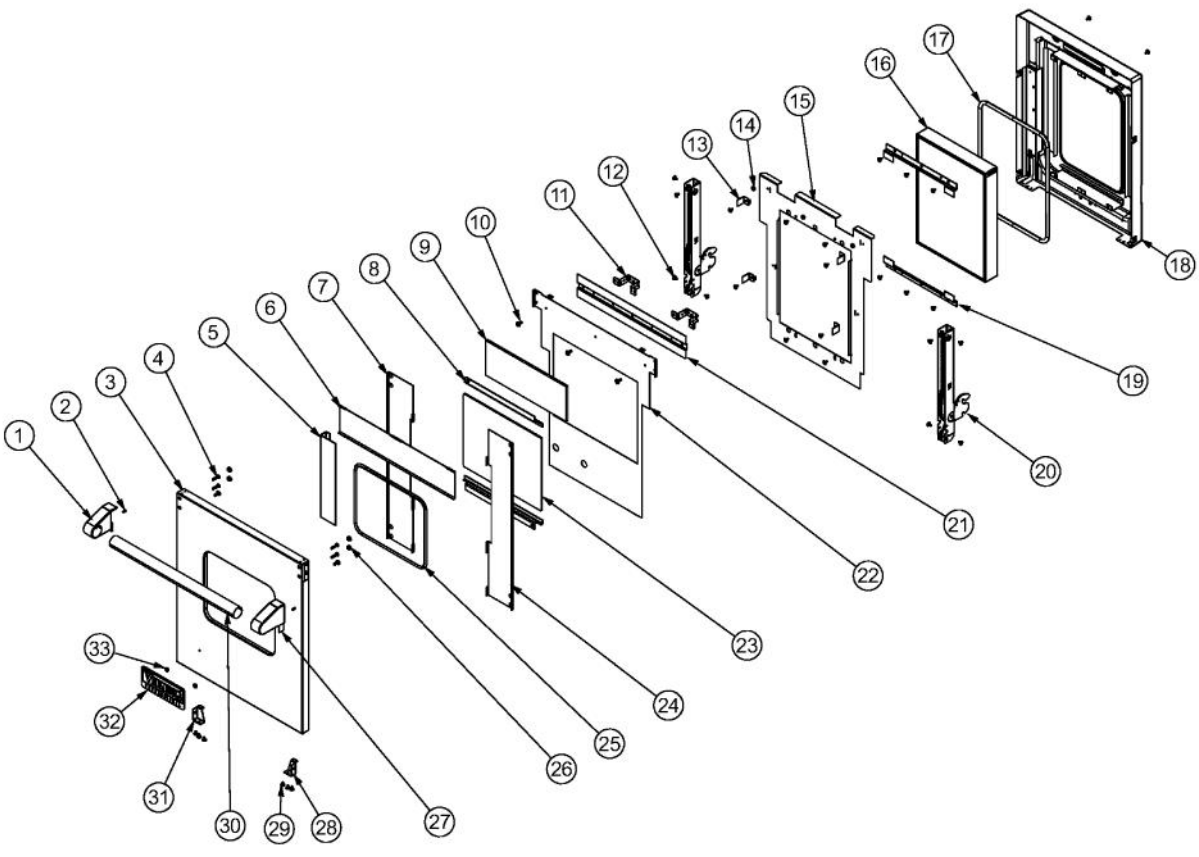
| Ref # | Part Number     | Qty. | Description                              |
|-------|-----------------|------|--|
| 1     | A2009641        | 3    | BRKT, TOP WRAPPER                        |
| 2     | 006749-000      | 1    | CONNECTOR, BRKT, CTR, VDSC548            |
| 3     | 014137-000      | 4    | WRAPPER, OVEN SIDE                       |
| 4     | 003860-000      | 80   | NO.10-18 X .500 FASTNR,SCR,HXWH,STL,ZPLT |
| 5     | 013787-000      | 1    | BRACKET, MTG, REAR, OVEN CAVITY          |
| 6     | PD040152        | 1    | SNAP BUSHING                             |
| 7     | NON-SERVICEABLE | 1    | TUB WELDMENT                             |
| 8     | 006158-000      | 1    | RANGE BASE, BACK, VDSC 48                |
| 9     | M0275166        | 2    | TAPE-ALUM SL                             |
| 10    | 002905-000      | 1    | SIDE PANEL, RH, SST                      |
| 10    | 005503-002      | 1    | SIDE PANEL, RH ASSY, PAINTED XBKX        |
| 10    | 005503-003      | 1    | SIDE PANEL, RH ASSY, PAINTED XBTX        |
| 10    | 005503-004      | 1    | SIDE PANEL, RH ASSY, PAINTED XSGX        |
| 10    | 005503-005      | 1    | SIDE PANEL, RH ASSY, PAINTED XGGX        |
| 10    | 005503-006      | 1    | SIDE PANEL, RH ASSY, PAINTED XWHX        |
| 10    | 005503-008      | 1    | SIDE PANEL, RH ASSY, PAINTED XBUX        |
| 10    | 005503-009      | 1    | SIDE PANEL, RH ASSY, PAINTED XLEX        |
| 10    | 005503-010      | 1    | SIDE PANEL, RH ASSY, PAINTED XMJX        |
| 10    | 005503-012      | 1    | SIDE PANEL, RH ASSY, PAINTED XVBX        |
| 10    | 005503-013      | 1    | SIDE PANEL, RH ASSY, PAINTED XCBX        |
| 10    | 005503-015      | 1    | SIDE PANEL, RH ASSY, PAINTED XPLX        |
| 10    | 005503-016      | 1    | SIDE PANEL, RH ASSY, PAINTED XCHX        |
| 10    | 005503-017      | 1    | SIDE PANEL, RH ASSY, PAINTED XTPX        |
| 10    | 005503-018      | 1    | SIDE PANEL, RH ASSY, PAINTED XCWX        |
| 10    | 005503-019      | 1    | SIDE PANEL, RH ASSY, PAINTED XOGX        |
| 10    | 005503-020      | 1    | SIDE PANEL, RH ASSY, PAINTED XGMX        |
| 10    | 005503-021      | 1    | SIDE PANEL, RH ASSY, PAINTED XSAX        |
| 10    | 005503-022      | 1    | SIDE PANEL, RH ASSY, PAINTED XSEX        |
| 10    | 005503-023      | 1    | SIDE PANEL, RH ASSY, PAINTED XIBX        |
| 10    | 005503-024      | 1    | SIDE PANEL, RH ASSY, PAINTED XARX        |
| 10    | 005503-025      | 1    | SIDE PANEL, RH ASSY, PAINTED XRRX        |
| 10    | 005503-026      | 1    | SIDE PANEL, RH ASSY, PAINTED XPMX        |
| 10    | 005503-027      | 1    | SIDE PANEL, RH ASSY, PAINTED XMSX        |
| 11    | 007488-000      | 2    | SINK, REAR, SIDE                         |
| 12    | 003801-000      | 7    | SHOULDER SCREW, NO.10                    |
| 13    | 003644-000      | 1    | TRIM,FRONT,SIDE,STAINLESS                |
| 14    | NON-SERVICEABLE | 1    | TUB WELDMENT                             |
| 15    | 023003-000      | 1    | PLATE, CNTRL BOARD, ASM, LPS2            |
| 15    | 038419-000      | 1    | CONTROL,BD,EOC4, CB<br>AFTER 2/4/13      |
| 16    | 006802-000      | 1    | COVER, ACS, LWR -VDSC548                 |
| 17    | PD020032        | 3    | SRW-8(A)X3/8PH.WFR HD 7/16DIAXNICL       |
| 18    | 006300-000      | 1    | KICKPLATE,RNG,SST,VDSC548                |
| 18    | 012315-002      | 1    | KICKPLATE, VDSC548-BK                    |
| 18    | 012315-003      | 1    | KICKPLATE, BT, VDSC548                   |
| 18    | 012315-004      | 1    | KICKPLATE, VDSC548, SG                   |
| 18    | 012315-005      | 1    | KICKPLATE, VDSC548, GG                   |
| 18    | 012315-006      | 1    | KICKPLATE, VDSC548 - WH                  |
| 18    | 012315-008      | 1    | KICKPLATE, RNG BU                        |
| 18    | 012315-009      | 1    | KICKPLATE, VDSC548, LE                   |
| 18    | 012315-010      | 1    | KICKPLATE, VDSC548, MJ                   |
| 18    | 012315-012      | 1    | KICKPLATE, VDSC548, VB                   |
| 18    | 012315-013      | 1    | KICKPLATE, CB, VDSC548                   |
| 18    | 012315-015      | 1    | KICKPLATE, VDSC548, PL                   |
| 18    | 012315-016      | 1    | KICKPLATE, CH, VDSC5486G                 |
| 18    | 012315-017      | 1    | KICKPLATE, VDSC548, TP                   |
| 18    | 012315-018      | 1    | KICKPLATE, VDSC548, CW                   |
| 18    | 012315-019      | 1    | KICKPLATE, VDSC548, OG                   |
| 18    | 012315-020      | 1    | KICKPLATE, GM, VDSC548                   |
| 18    | 012315-021      | 1    | KICKPLATE, VDSC548, SA                   |

| Ref # | Part Number     | Qty. | Description                               |
|-------|-----------------|------|---|
| 18    | 012315-021      | 1    | KICKPLATE, VDSC548, SA                    |
| 18    | 012315-022      | 1    | KICKPLATE, VDSC548, - SE                  |
| 18    | 012315-023      | 1    | KICKPLATE, IB                             |
| 18    | 012315-024      | 1    | KICKPLATE, AR, VDSC548                    |
| 18    | 012315-025      | 1    | KICKPLATE - RR                            |
| 18    | 012315-026      | 1    | KICKPLATE, VDSC548, PM                    |
| 18    | 012315-027      | 1    | KICKPLATE, VDSC548, MS                    |
| 19    | PD010022        | 4    | HEX HD. BOLT - 3/4-10 X 1-1/4             |
| 20    | 006750-000      | 1    | RANGE, TRIM, CTR, VDSC548                 |
| 21    | NON-SERVICEABLE | 1    | TUB WELDMENT                              |
| 22    | 010956-000      | 1    | OVEN,TRIM,LH,SST,FLAT,VDSC548             |
| 23    | 006933-000      | 1    | RANGE,PNL,SIDE,SST,LH, 0.562 FRONT FLANGE |
| 23    | 013365-002      | 1    | SIDE PANEL ASM, LH 48 BK                  |
| 23    | 013365-003      | 1    | SIDE PANEL ASM, LH 48 BT                  |
| 23    | 013365-004      | 1    | SIDE PANEL ASM, LH 48-SG                  |
| 23    | 013365-005      | 1    | SIDE PANEL ASM, LH 48-GG                  |
| 23    | 013365-006      | 1    | SIDE PANEL ASM, LH 48 WH                  |
| 23    | 013365-008      | 1    | SIDE PANEL ASM, LH 48 BU                  |
| 23    | 013365-009      | 1    | SIDE PANEL ASM, LH 48-LE                  |
| 23    | 013365-010      | 1    | SIDE PANEL ASM, LH 48-MJ                  |
| 23    | 013365-012      | 1    | SIDE PANEL ASM, LH 48-VB                  |
| 23    | 013365-013      | 1    | SIDE PANEL ASM, LH 48 CB                  |
| 23    | 013365-015      | 1    | SIDE PANEL ASM, LH 48-PL                  |
| 23    | 013365-016      | 1    | SIDE PANEL ASM, LH 48-CH                  |
| 23    | 013365-017      | 1    | SIDE PANEL ASM, LH 48-TP                  |
| 23    | 013365-018      | 1    | SIDE PANEL ASM, LH 48-CW                  |
| 23    | 013365-019      | 1    | SIDE PANEL ASM, LH 48-OG                  |
| 23    | 013365-020      | 1    | SIDE PANEL ASM, LH 48-GM                  |
| 23    | 013365-021      | 1    | SIDE PANEL ASM, LH 48-SA                  |
| 23    | 013365-022      | 1    | SIDE PANEL ASM, LH 48-SE                  |
| 23    | 013365-023      | 1    | SIDE PANEL ASM, LH 48 IB                  |
| 23    | 013365-024      | 1    | SIDE PANEL ASM, LH 48-AR                  |
| 23    | 013365-025      | 1    | SIDE PANEL ASM, LH 48 RR                  |
| 23    | 013365-026      | 1    | SIDE PANEL ASM, LH 48-PM                  |
| 23    | 013365-027      | 1    | SIDE PANEL ASM, LH 48-MS                  |
| 24    | NON-SERVICEABLE | 1    | TUB WELDMENT                              |
| 25    | NON-SERVICEABLE | 2    | TUB WELDMENT                              |
| NI    | 024909-000      | 1    | SHIELD, WRG                               |





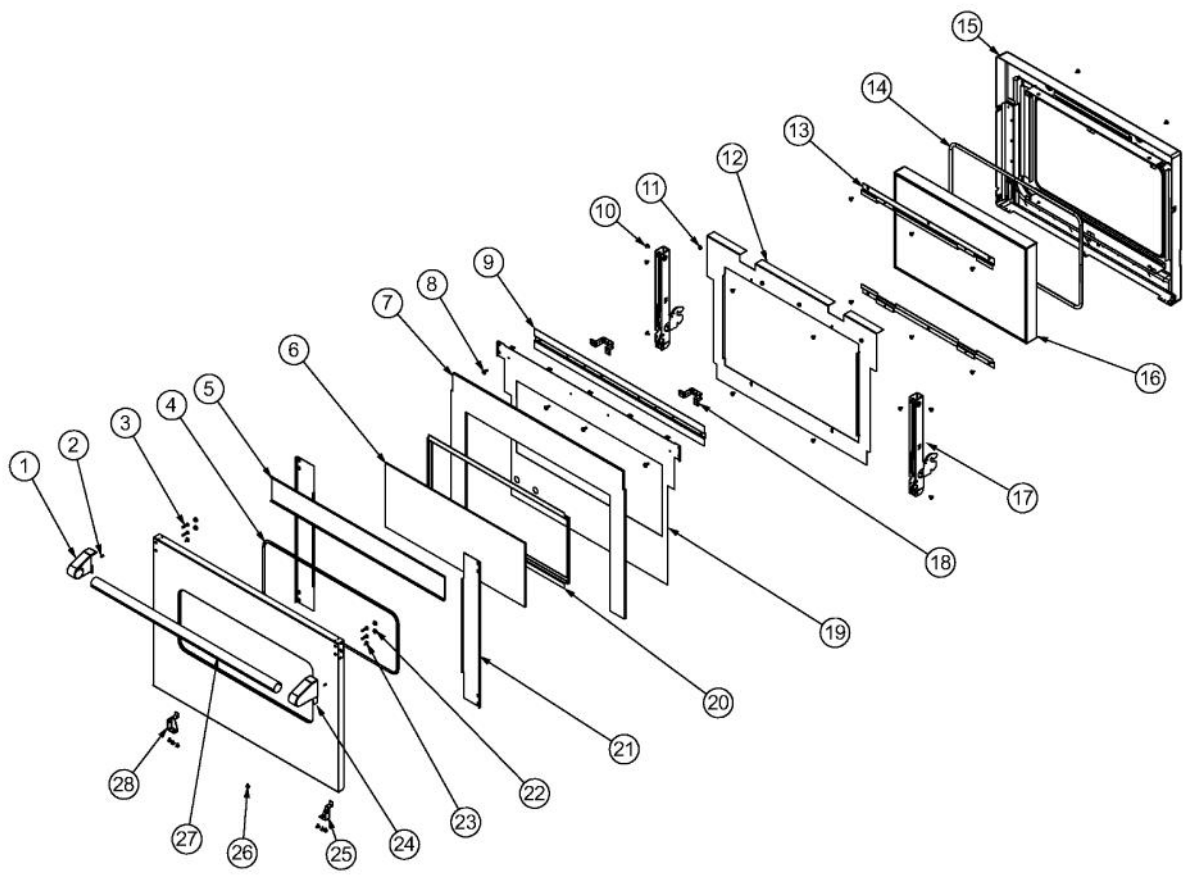
| Ref # | Part Number | Qty. | Description                              |
|-------|-------------|------|--|
| 1     | PD040005    | 1    | SNAP BUSHING - 7/8                       |
| 2     | 003860-000  | 40   | NO.10-18 X .500 FASTNR,SCR,HXWH,STL,ZPLT |
| 3     | PD020055    | 4    | NO.10 X 1/2 PAN PHIL. TEK. SS            |
| 4     | 007504-000  | 1    | COVER, BACK, VDSC18                      |
| 5     | 008831-000  | 1    | ISLAND TRIM, ASM, 48 CUSTOM              |
| 6     | A2002454    | 1    | BACK COVER ACCESS DOOR                   |
| 7     | 003272-000  | 1    | COVER, REAR                              |
| 8     | A20010101   | 1    | FLUE, OUTSIDE SHELL                      |
| 9     | A20010102   | 2    | FLUE, CENTER EXTENDED                    |
| 10    | 003681-000  | 1    | DUCT, AIR                                |
| 11    | 006400-000  | 1    | PLATE, BACK, CTR, VDSC48                 |
| 12    | 007441-000  | 1    | EXHAUST, DUCT, REAR, VDSC18              |
| 13    | 007188-000  | 1    | DUCT, AIR, REAR, VDSC18                  |



| Ref # | Part Number | Qty. | Description                                  |
|-------|-------------|------|--|
| 1     | 003011-000  | 1    | DOOR HANDLE ENDCAP ASSY, LH (CHROME)         |
| 1     | 003011-100  | 1    | DOOR HANDLE ENDCAP ASSY, LH (BRASS)          |
| 2     | 003650-000  | 2    | SET SCREW                                    |
| 3     | 006213-000  | 1    | DOOR SKIN, 18 STAINLESS                      |
| 4     | 002736-000  | 1    | NO.10-32 PAN HEAD PHILLIPS MACHINE SCREW     |
| 5     | 011178-000  | 1    | DOOR SKIN LH HEAT SINK, 18                   |
| 6     | 006219-000  | 1    | DOOR SKIN HEAT SINK, 18                      |
| 7     | 009428-000  | 1    | BRACKET, DOOR, RH, VDSC18, SKIN              |
| 8     | 020437-000  | 2    | WINDOW HOLDER                                |
| 9     | 006220-000  | 1    | INSULATION, DOOR, SKIN, TOP, VDSC18          |
| 10    | PD020033    | 2    | SRW-NO.10-24X1/2T(23)PH.WFR HD (NKL)         |
| 11    | A21014003   | 1    | DOOR LINER MTG. BRKT.                        |
| 12    | PD020063    | 24   | SCREW-NO.8(A) X 3/8PH WFR HD/BK OXID         |
| 13    | 009426-000  | 4    | STANDOFF, BRACKET, DOOR, LINER, VDSC18       |
| 14    | PD030010    | 1    | NO.10-24 KEPS NUT                            |
| 15    | 006209-000  | 1    | DOOR LINER INSULATION RETAINER, 18           |
| 16    | 005300-000  | 1    | GLASS, WINDOW PACK, 18                       |
| 17    | 000594-000  | 1    | BLACK FIBERGLASS ROPE 3/8                    |
| 18    | 002709-000  | 1    | DOOR LINER WELDED ASM, VDSC18                |
| 19    | 006207-000  | 2    | DOOR GLASS HOLDER BRACKET, 18 DOOR           |
| 20    | 008276-000  | 1    | HINGE, DOOR, VDSC18-PURPLE SPRING            |
| 21    | 006224-000  | 1    | BRACKET, DOOR, MT, VDSC 18                   |
| 22    | 006222-000  | 1    | DOOR SKIN INSULATION RETAINER 18             |
| 23    | 006218-000  | 1    | DOOR, GLASS, OUTER 18                        |
| 24    | 009427-000  | 1    | BRACKET, DOOR, LH, VDSC18, SKIN              |
| 25    | 006214-000  | 1    | DOOR, SKIN, J-MOLD, VDSC 18, CHROME          |
| 26    | 004907-000  | 2    | STEEL FINISHING PLUG, NICKEL PLTD 25/64 HOLE |
| 27    | 003012-000  | 1    | DOOR HANDLE ENDCAP ASSY, RH (CHROME)         |
| 27    | 003012-100  | 1    | DOOR HANDLE ENDCAP ASSY, RH (BRASS)          |
| 28    | 006807-000  | 1    | HINGE, BRKT, RH                              |
| 29    | PD020032    | 6    | SRW-8(A)X3/8PH.WFR HD 7/16DIAXNICL           |
| 30    | 006221-000  | 1    | 18 DOOR HANDLE, SST                          |
| 31    | 006808-000  | 1    | HINGE, BRKT, LH                              |
| 32    | PE010030    | 1    | LOGO, 6, PRO, BK                             |
| 32    | PE010068    | 1    | LOGO, 6, PRO, BK/BR                          |
| 33    | PD030006    | 2    | CAPPED WASHER PAL NUT                        |
| NI    | 006227-000  | 1    | DOOR ASM, 18, W/ LOGO, SS                    |
| NI    | 013357-002  | 1    | DOOR ASM, 18, W/ LOGO, BK                    |
| NI    | 013357-003  | 1    | DOOR ASM, 18, W/ LOGO, BT                    |
| NI    | 013357-004  | 1    | DOOR ASM, 18, W/ LOGO, SG                    |
| NI    | 013357-005  | 1    | DOOR ASM, 18, W/ LOGO, GG                    |
| NI    | 013357-006  | 1    | DOOR ASM, 18, W/ LOGO, WH                    |
| NI    | 013357-008  | 1    | DOOR ASM, 18, W/ LOGO, BU                    |
| NI    | 013357-009  | 1    | DOOR ASM, 18, W/ LOGO, LE                    |
| NI    | 013357-010  | 1    | DOOR ASM, 18, W/ LOGO, MJ                    |
| NI    | 013357-011  | 1    | DOOR ASM, 18, W/ LOGO, VB                    |
| NI    | 013357-012  | 1    | DOOR ASM, 18, W/ LOGO, CB                    |
| NI    | 013357-015  | 1    | DOOR ASM, 18, W/ LOGO, PL                    |
| NI    | 013357-016  | 1    | DOOR ASM, 18, W/ LOGO, CH                    |
| NI    | 013357-017  | 1    | DOOR ASM, 18, W/ LOGO, TP                    |
| NI    | 013357-018  | 1    | DOOR ASM, 18, W/ LOGO, CW                    |
| NI    | 013357-019  | 1    | DOOR ASM, 18, W/ LOGO, OG                    |
| NI    | 013357-020  | 1    | DOOR ASM, 18, W/ LOGO, GM                    |
| NI    | 013357-021  | 1    | DOOR ASM, 18, W/ LOGO, SA                    |
| NI    | 013357-022  | 1    | DOOR ASM, 18, W/ LOGO, SE                    |
| NI    | 013357-023  | 1    | DOOR ASM, 18, W/ LOGO, IB                    |
| NI    | 013357-024  | 1    | DOOR ASM, 18, W/ LOGO, AR                    |
| NI    | 013357-025  | 1    | DOOR ASM, 18, W/ LOGO, RR                    |
| NI    | 013357-026  | 1    | DOOR ASM, 18, W/ LOGO, PM                    |
| NI    | 013357-027  | 1    | DOOR ASM, 18, W/ LOGO, MS                    |

| Ref # | Part Number | Qty. | Description                        |
|-------|-------------|------|------------------------------------|
| NI    | 013357-027  | 1    | DOOR ASM, 18', W/ LOGO, MS         |
| NI    | 006227-100  | 1    | DOOR ASM, VDSC18, SS/BR            |
| NI    | 013357-102  | 1    | DOOR ASM, 18', W/ LOGO, BK/BR      |
| NI    | 013357-103  | 1    | DOOR ASM, 18', W/ LOGO, BT/BR      |
| NI    | 013357-104  | 1    | DOOR ASM, 18', W/ LOGO, SG/BR      |
| NI    | 013357-105  | 1    | DOOR ASM, 18', W/ LOGO, GG/BR      |
| NI    | 013357-106  | 1    | DOOR ASM, 18', W/ LOGO, WH/BR      |
| NI    | 013357-108  | 1    | DOOR ASM, 18', W/ LOGO, BU/BR      |
| NI    | 013357-109  | 1    | DOOR ASM, 18', W/ LOGO, LE/BR      |
| NI    | 013357-110  | 1    | DOOR ASM, 18', W/ LOGO, MJ/BR      |
| NI    | 013357-112  | 1    | DOOR ASM, 18', W/ LOGO, VB/BR      |
| NI    | 013357-113  | 1    | DOOR ASM, 18', W/ LOGO, CB/BR      |
| NI    | 013357-115  | 1    | DOOR ASM, 18', W/ LOGO, PL/BR      |
| NI    | 013357-116  | 1    | DOOR ASM, 18', W/ LOGO, CH/BR      |
| NI    | 013357-117  | 1    | DOOR ASM, 18', W/ LOGO, TP/BR      |
| NI    | 013357-118  | 1    | DOOR ASM, 18', W/ LOGO, CW/BR      |
| NI    | 013357-119  | 1    | DOOR ASM, 18', W/ LOGO, OG/BR      |
| NI    | 013357-120  | 1    | DOOR ASM, 18', W/ LOGO, GM/BR      |
| NI    | 013357-121  | 1    | DOOR ASM, 18', W/ LOGO, SA/BR      |
| NI    | 013357-122  | 1    | DOOR ASM, 18', W/ LOGO, SE/BR      |
| NI    | 013357-123  | 1    | DOOR ASM, 18', W/ LOGO, IB/BR      |
| NI    | 013357-124  | 1    | DOOR ASM, 18', W/ LOGO, AR/BR      |
| NI    | 013357-125  | 1    | DOOR ASM, 18', W/ LOGO, RR/BR      |
| NI    | 013357-126  | 1    | DOOR ASM, 18', W/ LOGO, PM/BR      |
| NI    | 013357-127  | 1    | DOOR ASM, 18', W/ LOGO, MS/BR      |
| NI    | 006226-000  | 1    | DOOR SKIN ASM, 18, W/ LOGO, SS     |
| NI    | 013358-002  | 1    | DOOR SKIN ASM, 18', W/ LOGO, BK    |
| NI    | 013358-003  | 1    | DOOR SKIN ASM, 18', W/ LOGO, BT    |
| NI    | 013358-004  | 1    | DOOR SKIN ASM, 18', W/ LOGO, SG    |
| NI    | 013358-005  | 1    | DOOR SKIN ASM, 18', W/ LOGO, GG    |
| NI    | 013358-006  | 1    | DOOR SKIN ASM, 18', W/ LOGO, WH    |
| NI    | 013358-008  | 1    | DOOR SKIN ASM, 18', W/ LOGO, BU    |
| NI    | 013358-009  | 1    | DOOR SKIN ASM, 18', W/ LOGO, LE    |
| NI    | 013358-010  | 1    | DOOR SKIN ASM, 18', W/ LOGO, MJ    |
| NI    | 013358-012  | 1    | DOOR SKIN ASM, 18', W/ LOGO, VB    |
| NI    | 013358-013  | 1    | DOOR SKIN ASM, 18', W/ LOGO, CB    |
| NI    | 013358-015  | 1    | DOOR SKIN ASM, 18', W/ LOGO, PL    |
| NI    | 013358-016  | 1    | DOOR SKIN ASM, 18', W/ LOGO, CH    |
| NI    | 013358-017  | 1    | DOOR SKIN ASM, 18', W/ LOGO, TP    |
| NI    | 013358-018  | 1    | DOOR SKIN ASM, 18', W/ LOGO, CW    |
| NI    | 013358-019  | 1    | DOOR SKIN ASM, 18', W/ LOGO, OG    |
| NI    | 013358-020  | 1    | DOOR SKIN ASM, 18', W/ LOGO, GM    |
| NI    | 013358-021  | 1    | DOOR SKIN ASM, 18', W/ LOGO, SA    |
| NI    | 013358-022  | 1    | DOOR SKIN ASM, 18', W/ LOGO, SE    |
| NI    | 013358-023  | 1    | DOOR SKIN ASM, 18', W/ LOGO, IB    |
| NI    | 013358-024  | 1    | DOOR SKIN ASM, 18', W/ LOGO, AR    |
| NI    | 013358-025  | 1    | DOOR SKIN ASM, 18', W/ LOGO, RR    |
| NI    | 013358-026  | 1    | DOOR SKIN ASM, 18', W/ LOGO, PM    |
| NI    | 013358-027  | 1    | DOOR SKIN ASM, 18', W/ LOGO, MS    |
| NI    | 006226-100  | 1    | DOOR SKIN ASM, 18, W/ LOGO, SS/BR  |
| NI    | 013358-102  | 1    | DOOR SKIN ASM, 18', W/ LOGO, BK/BR |
| NI    | 013358-103  | 1    | DOOR SKIN ASM, 18', W/ LOGO, BT/BR |
| NI    | 013358-104  | 1    | DOOR SKIN ASM, 18', W/ LOGO, SG/BR |
| NI    | 013358-105  | 1    | DOOR SKIN ASM, 18', W/ LOGO, GG/BR |
| NI    | 013358-106  | 1    | DOOR SKIN ASM, 18', W/ LOGO, WH/BR |
| NI    | 013358-108  | 1    | DOOR SKIN ASM, 18', W/ LOGO, BU/BR |
| NI    | 013358-109  | 1    | DOOR SKIN ASM, 18', W/ LOGO, LE/BR |
| NI    | 013358-110  | 1    | DOOR SKIN ASM, 18', W/ LOGO, MJ/BR |
| NI    | 013358-112  | 1    | DOOR SKIN ASM, 18', W/ LOGO, VB/BR |
| NI    | 013358-113  | 1    | DOOR SKIN ASM, 18', W/ LOGO, CB/BR |

| Ref # | Part Number | Qty. | Description                        |
|-------|-------------|------|------------------------------------|
| NI    | 013358-113  | 1    | DOOR SKIN ASM, 18', W/ LOGO, CB/BR |
| NI    | 013358-115  | 1    | DOOR SKIN ASM, 18', W/ LOGO, PL/BR |
| NI    | 013358-116  | 1    | DOOR SKIN ASM, 18', W/ LOGO, CH/BR |
| NI    | 013358-117  | 1    | DOOR SKIN ASM, 18', W/ LOGO, TP/BR |
| NI    | 013358-118  | 1    | DOOR SKIN ASM, 18', W/ LOGO, CW/BR |
| NI    | 013358-119  | 1    | DOOR SKIN ASM, 18', W/ LOGO, OG/BR |
| NI    | 013358-120  | 1    | DOOR SKIN ASM, 18', W/ LOGO, GM/BR |
| NI    | 013358-121  | 1    | DOOR SKIN ASM, 18', W/ LOGO, SA/BR |
| NI    | 013358-122  | 1    | DOOR SKIN ASM, 18', W/ LOGO, SE/BR |
| NI    | 013358-123  | 1    | DOOR SKIN ASM, 18', W/ LOGO, IB/BR |
| NI    | 013358-124  | 1    | DOOR SKIN ASM, 18', W/ LOGO, AR/BR |
| NI    | 013358-125  | 1    | DOOR SKIN ASM, 18', W/ LOGO, RR/BR |
| NI    | 013358-126  | 1    | DOOR SKIN ASM, 18', W/ LOGO, PM/BR |
| NI    | 013358-127  | 1    | DOOR SKIN ASM, 18', W/ LOGO, MS/BR |



| Ref # | Part Number | Qty. | Description                                  |
|-------|-------------|------|--|
| 1     | 003011-000  | 1    | DOOR HANDLE ENDCAP ASSY, LH (CHROME)         |
| 1     | 003011-100  | 1    | DOOR HANDLE ENDCAP ASSY, LH (BRASS)          |
| 2     | 003650-000  | 2    | SET SCREW                                    |
| 3     | 002736-000  | 4    | NO.10-32 PAN HEAD PHILLIPS MACHINE SCREW     |
| 4     | PE060105    | 1    | 30 J-MOLD (CHROME) NOT FIELD REPLACEABLE     |
| 5     | 002724-000  | 1    | DOOR SKIN HEAT SINK, 30                      |
| 6     | PE060090    | 1    | 30 PROF. OUTER DOOR GLASS                    |
| 7     | 002727-000  | 1    | DOOR SKIN INSULATION, 30                     |
| 8     | PD020033    | 4    | SRW-NO.10-24X1/2T(23)PH.WFR HD (NKL)         |
| 9     | 002732-000  | 1    | DOOR SKIN MOUNTING BRACKET ASSY              |
| 10    | PD020063    | 18   | SCREW-NO.8(A) X 3/8PH WFR HD/BK OXID         |
| 11    | PD030010    | 4    | NO.10-24 KEPS NUT                            |
| 12    | 004152-000  | 1    | DOOR LINER INSULATION RETAINER, 30           |
| 13    | 004153-000  | 2    | DOOR GLASS HOLDER BRACKET                    |
| 14    | 000594-000  | 1    | BLACK FIBERGLASS ROPE 3/8                    |
| 15    | 015412-000  | 1    | DOOR LINER SPOTWELD ASM                      |
| 16    | PE060094    | 1    | 30 WINDOW PACK                               |
| 17    | 002740-000  | 2    | MANSFIELD HINGE, BLUE SPRING                 |
| 18    | A21014003   | 2    | DOOR LINER MTG. BRKT.                        |
| 19    | 002730-000  | 1    | DOOR SKIN INSULATION RETAINER, BLACK         |
| 20    | L20014077   | 1    | 30 WINDOW HOLDER NOT FIELD REPLACEABLE       |
| 21    | 002726-000  | 2    | DOOR SKIN SIDE BRACKET                       |
| 22    | 004907-000  | 4    | STEEL FINISHING PLUG, NICKEL PLTD 25/64 HOLE |
| 23    | PD020073    | 2    | SRW NO.10 X 24 X 3/8 WAFER HD TYPE23         |
| 24    | 003012-000  | 1    | DOOR HANDLE ENDCAP ASSY, RH (CHROME)         |
| 24    | 003012-100  | 1    | DOOR HANDLE ENDCAP ASSY, RH (BRASS)          |
| 25    | A20012640   | 1    | HINGE SUPPORT RH                             |
| 26    | PD020032    | 7    | SRW-8(A)X3/8PH.WFR HD 7/16DIAXNICL           |
| 27    | 002728-000  | 1    | DOOR HANDLE - SS, 1.25 OD                    |
| 28    | A20012641   | 1    | HINGE SUPPORT LH                             |
| NI    | 006805-000  | 1    | DOOR ASM, 30, SS, NO LOGO                    |
| NI    | 013355-002  | 1    | DOOR ASM, 30, NO LOGO, BK                    |
| NI    | 013355-003  | 1    | DOOR ASM, 30, NO LOGO, BT                    |
| NI    | 013355-004  | 1    | DOOR ASM, 30, SG, NO LOGO                    |
| NI    | 013355-005  | 1    | DOOR ASM, 30, NO LOGO, GG                    |
| NI    | 013355-006  | 1    | DOOR ASM, 30, WH, NO LOGO                    |
| NI    | 013355-008  | 1    | DOOR ASM, 30, NO LOGO, BU                    |
| NI    | 013355-009  | 1    | DOOR ASM, 30, NO LOGO, LE                    |
| NI    | 013355-010  | 1    | DOOR ASM, 30, NO LOGO, MJ                    |
| NI    | 013355-012  | 1    | DOOR ASM, 30, VB, NO LOGO                    |
| NI    | 013355-013  | 1    | DOOR ASM, 30, NO LOGO, CB                    |
| NI    | 013355-015  | 1    | DOOR ASM, 30, PL, NO LOGO                    |
| NI    | 013355-016  | 1    | DOOR ASM, 30, NO LOGO, CH                    |
| NI    | 013355-017  | 1    | DOOR ASM, 30, TP, NO LOGO                    |
| NI    | 013355-018  | 1    | DOOR ASM, 30, NO LOGO, CW                    |
| NI    | 013355-019  | 1    | DOOR ASM, 30, OG, NO LOGO                    |
| NI    | 013355-020  | 1    | DOOR ASM, 30, NO LOGO, GM                    |
| NI    | 013355-021  | 1    | DOOR ASM, 30, SA, NO LOGO                    |
| NI    | 013355-022  | 1    | DOOR ASM, 30, SE, NO LOGO                    |
| NI    | 013355-023  | 1    | DOOR ASM, 30, NO LOGO, IB                    |
| NI    | 013355-024  | 1    | DOOR ASM, 30, NO LOGO, AR                    |
| NI    | 013355-025  | 1    | DOOR ASM, 30, RR, NO LOGO                    |
| NI    | 013355-026  | 1    | DOOR ASM, 30, PM, NO LOGO                    |
| NI    | 013355-027  | 1    | DOOR ASM, 30, NO LOGO, MS                    |
| NI    | 006805-100  | 1    | DOOR ASM, 30, SS/BR, NO LOGO                 |
| NI    | 013355-102  | 1    | DOOR ASM, 30, NO LOGO, BK/BR                 |
| NI    | 013355-103  | 1    | DOOR ASM, 30, NO LOGO, BT/BR                 |
| NI    | 013355-104  | 1    | DOOR ASM, 30, NO LOGO, SG/BR                 |
| NI    | 013355-105  | 1    | DOOR ASM, 30, NO LOGO, GG/BR                 |
| NI    | 013355-106  | 1    | DOOR ASM, 30, NO LOGO, WH/BR                 |

| Ref # | Part Number | Qty. | Description                       |
|-------|-------------|------|-----------------------------------|
| NI    | 013355-106  | 1    | DOOR ASM, 30, NO LOGO, WH/BR      |
| NI    | 013355-108  | 1    | DOOR ASM, 30, NO LOGO, BU/BR      |
| NI    | 013355-109  | 1    | DOOR ASM, 30, NO LOGO, LE/BR      |
| NI    | 013355-110  | 1    | DOOR ASM, 30, NO LOGO, MJ/BR      |
| NI    | 013355-112  | 1    | DOOR ASM, 30, NO LOGO, VB/BR      |
| NI    | 013355-113  | 1    | DOOR ASM, 30, NO LOGO, CB/BR      |
| NI    | 013355-115  | 1    | DOOR ASM, 30, NO LOGO, PL/BR      |
| NI    | 013355-116  | 1    | DOOR ASM, 30, NO LOGO, CH/BR      |
| NI    | 013355-117  | 1    | DOOR ASM, 30, NO LOGO, TP/BR      |
| NI    | 013355-118  | 1    | DOOR ASM, 30, NO LOGO, CW/BR      |
| NI    | 013355-119  | 1    | DOOR ASM, 30, NO LOGO, OG/BR      |
| NI    | 013355-120  | 1    | DOOR ASM, 30, NO LOGO, GM/BR      |
| NI    | 013355-121  | 1    | DOOR ASM, 30, NO LOGO, SA/BR      |
| NI    | 013355-122  | 1    | DOOR ASM, 30, NO LOGO, SE/BR      |
| NI    | 013355-123  | 1    | DOOR ASM, 30, NO LOGO, IB/BR      |
| NI    | 013355-124  | 1    | DOOR ASM, 30, NO LOGO, AR/BR      |
| NI    | 013355-125  | 1    | DOOR ASM, 30, NO LOGO, RR/BR      |
| NI    | 013355-126  | 1    | DOOR ASM, 30, NO LOGO, PM/BR      |
| NI    | 013355-127  | 1    | DOOR ASM, 30, NO LOGO, MS/BR      |
| NI    | 006804-000  | 1    | DOOR SKIN ASM, 30, NO LOGO, SS    |
| NI    | 013356-002  | 1    | DOOR SKIN ASM, 30, NO LOGO, BK    |
| NI    | 013356-003  | 1    | DOOR SKIN ASM, 30, NO LOGO, BT    |
| NI    | 013356-004  | 1    | DOOR SKIN ASM, 30, NO LOGO, SG    |
| NI    | 013356-005  | 1    | DOOR SKIN ASM, 30, NO LOGO, GG    |
| NI    | 013356-006  | 1    | DOOR SKIN ASM, 30, NO LOGO, WH    |
| NI    | 013356-008  | 1    | DOOR SKIN ASM, 30, NO LOGO, BU    |
| NI    | 013356-009  | 1    | DOOR SKIN ASM, 30, NO LOGO, LE    |
| NI    | 013356-010  | 1    | DOOR SKIN ASM, 30, NO LOGO, MJ    |
| NI    | 013356-012  | 1    | DOOR SKIN ASM, 30, NO LOGO, VB    |
| NI    | 013356-013  | 1    | DOOR SKIN ASM, 30, NO LOGO, CB    |
| NI    | 013356-015  | 1    | DOOR SKIN ASM, 30, NO LOGO, PL    |
| NI    | 013356-016  | 1    | DOOR SKIN ASM, 30, NO LOGO, CH    |
| NI    | 013356-017  | 1    | DOOR SKIN ASM, 30, NO LOGO, TP    |
| NI    | 013356-018  | 1    | DOOR SKIN ASM, 30, NO LOGO, CW    |
| NI    | 013356-019  | 1    | DOOR SKIN ASM, 30, NO LOGO, OG    |
| NI    | 013356-020  | 1    | DOOR SKIN ASM, 30, NO LOGO, GM    |
| NI    | 013356-021  | 1    | DOOR SKIN ASM, 30, NO LOGO, SA    |
| NI    | 013356-022  | 1    | DOOR SKIN ASM, 30, NO LOGO, SE    |
| NI    | 013356-023  | 1    | DOOR SKIN ASM, 30, NO LOGO, IB    |
| NI    | 013356-024  | 1    | DOOR SKIN ASM, 30, NO LOGO, AR    |
| NI    | 013356-025  | 1    | DOOR SKIN ASM, 30, NO LOGO, RR    |
| NI    | 013356-026  | 1    | DOOR SKIN ASM, 30, NO LOGO, PM    |
| NI    | 013356-027  | 1    | DOOR SKIN ASM, 30, NO LOGO, MS    |
| NI    | 006804-100  | 1    | DOOR SKIN ASM, 30, SS/BR, NO LOGO |
| NI    | 013356-102  | 1    | DOOR SKIN ASM, 30, NO LOGO, BK/BR |
| NI    | 013356-103  | 1    | DOOR SKIN ASM, 30, NO LOGO, BT/BR |
| NI    | 013356-104  | 1    | DOOR SKIN ASM, 30, NO LOGO, SG/BR |
| NI    | 013356-105  | 1    | DOOR SKIN ASM, 30, NO LOGO, GG/BR |
| NI    | 013356-106  | 1    | DOOR SKIN ASM, 30, NO LOGO, WH/BR |
| NI    | 013356-108  | 1    | DOOR SKIN ASM, 30, NO LOGO, BU/BR |
| NI    | 013356-109  | 1    | DOOR SKIN ASM, 30, NO LOGO, LE/BR |
| NI    | 013356-110  | 1    | DOOR SKIN ASM, 30, NO LOGO, MJ/BR |
| NI    | 013356-112  | 1    | DOOR SKIN ASM, 30, NO LOGO, VB/BR |
| NI    | 013356-113  | 1    | DOOR SKIN ASM, 30, NO LOGO, CB/BR |
| NI    | 013356-115  | 1    | DOOR SKIN ASM, 30, NO LOGO, PL/BR |
| NI    | 013356-116  | 1    | DOOR SKIN ASM, 30, NO LOGO, CH/BR |
| NI    | 013356-117  | 1    | DOOR SKIN ASM, 30, NO LOGO, TP/BR |
| NI    | 013356-118  | 1    | DOOR SKIN ASM, 30, NO LOGO, CW/BR |
| NI    | 013356-119  | 1    | DOOR SKIN ASM, 30, NO LOGO, OG/BR |
| NI    | 013356-120  | 1    | DOOR SKIN ASM, 30, NO LOGO, GM/BR |



| Ref # | Part Number | Qty. | Description                       |
|-------|-------------|------|-----------------------------------|
| NI    | 013356-120  | 1    | DOOR SKIN ASM, 30, NO LOGO, GM/BR |
| NI    | 013356-121  | 1    | DOOR SKIN ASM, 30, NO LOGO, SA/BR |
| NI    | 013356-122  | 1    | DOOR SKIN ASM, 30, NO LOGO, SE/BR |
| NI    | 013356-123  | 1    | DOOR SKIN ASM, 30, NO LOGO, IB/BR |
| NI    | 013356-124  | 1    | DOOR SKIN ASM, 30, NO LOGO, AR/BR |
| NI    | 013356-125  | 1    | DOOR SKIN ASM, 30, NO LOGO, RR/BR |
| NI    | 013356-126  | 1    | DOOR SKIN ASM, 30, NO LOGO, PM/BR |
| NI    | 013356-127  | 1    | DOOR SKIN ASM, 30, NO LOGO, MS/BR |

*No Image  
Available*

| Ref # | Part Number | Qty. | Description                          |
|-------|-------------|------|--------------------------------------|
| NI    | 015100-000  | 1    | HARNESS,WIRING,VDSC530-T             |
| NI    | 020020-000  | 1    | HARNESS, WRG, TEST, EOC4 DOUBLE OVEN |
| NI    | PE070739    | 1    | BAKE ELEMENT HARNESS                 |
| NI    | PE070735    | 1    | MEAT PROBE HARNESS                   |
| NI    | PE070892    | 1    | IRIS HARNESS - 60                    |
| NI    | 013295-000  | 1    | HARNESS, LIGHT SWITCH, VDSC548       |
| NI    | 020018-000  | 1    | HARNESS, WIRING - LH OVEN            |
| NI    | 013406-000  | 1    | HARNESS, BAKE, ELEMENT, VDSC18       |
| NI    | 020019-000  | 1    | HARNESS, WRG, CONTROL                |
| NI    | 007378-000  | 1    | LIGHT SWITCH HARNESS                 |
| NI    | 024909-000  | 1    | SHIELD, WRG                          |