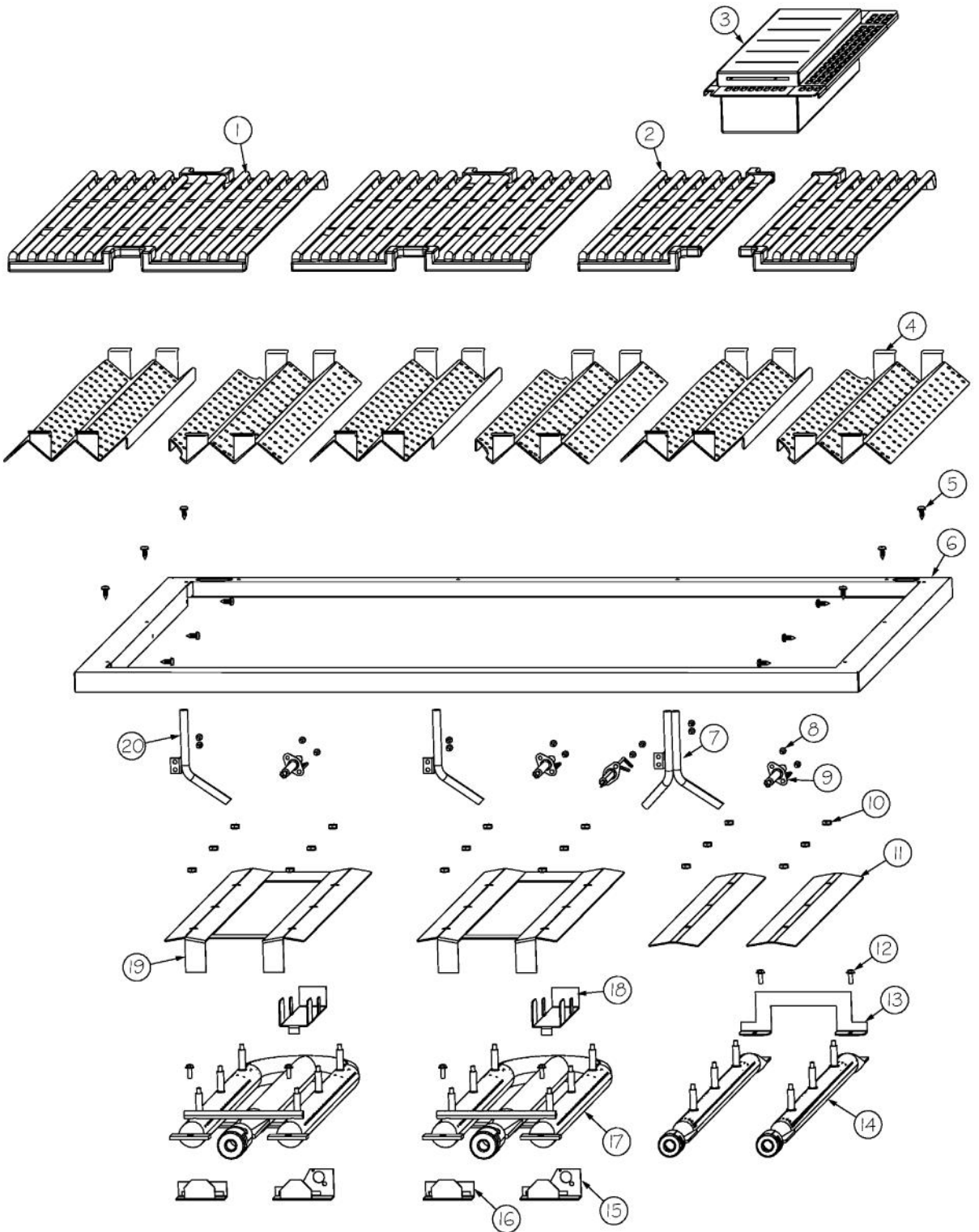
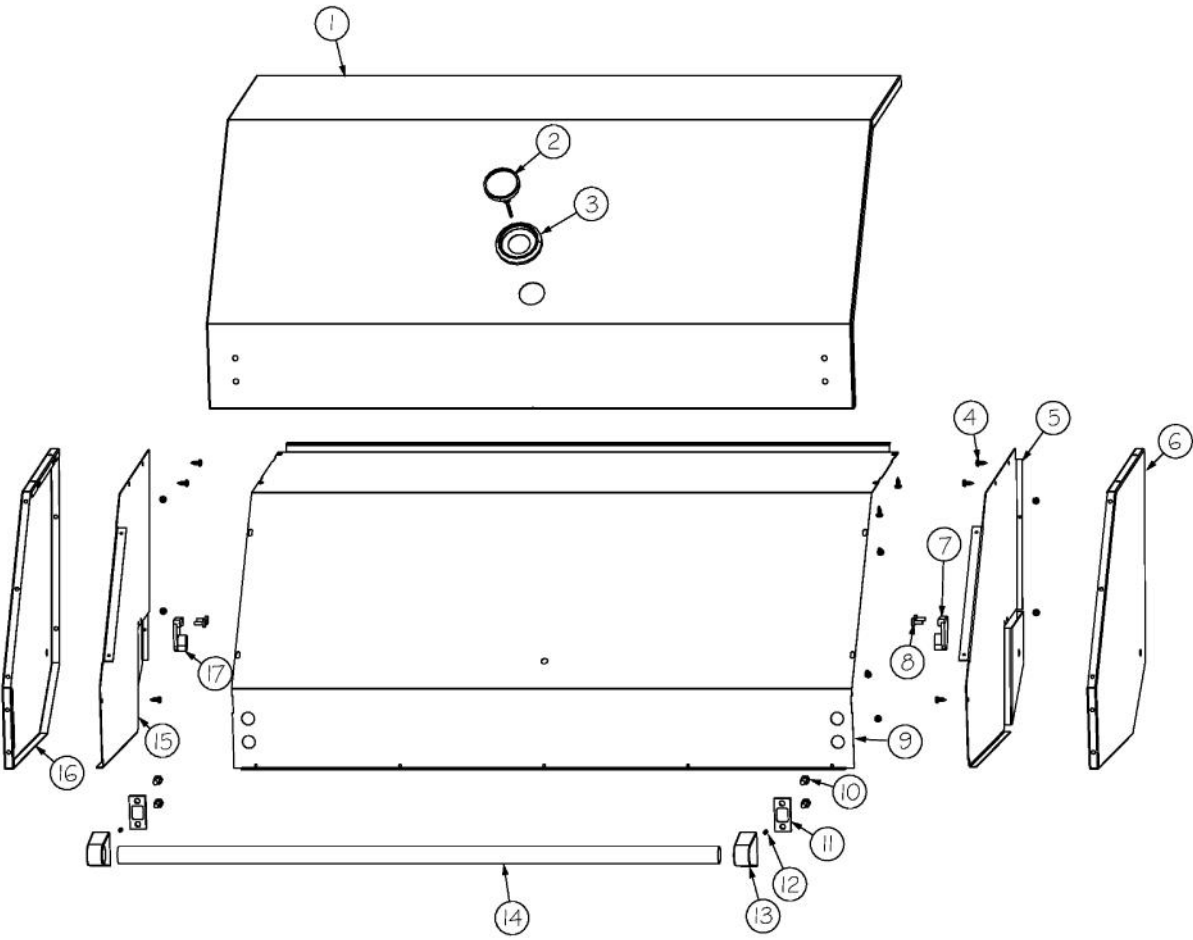


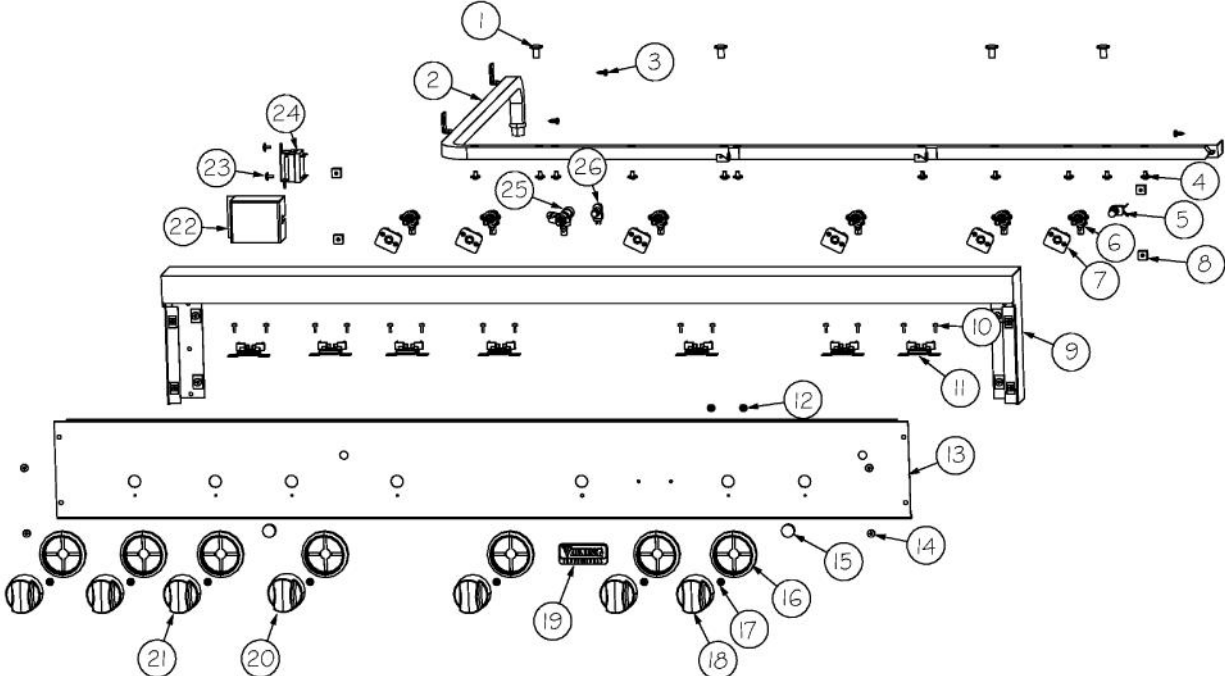
| Ref # | Part Number | Qty. | Description |
|-------|-------------|------|---------------------------------------|
| 1 | L1004882 | 1 | REAR HEAT SHIELD - 53`` |
| 2 | PD020055 | 75 | NO.10 X 1/2 PAN PHIL. TEK. SS |
| 3 | 002671-000 | 2 | RUBBER DOOR BUMPER |
| 4 | 004093-000 | 1 | 5323 GRILL REAR TRIM |
| 5 | 002353-000 | 2 | GRILL PLUG VENT |
| 6 | B2006305 | 3 | HEAT SHIELD BRACKET |
| 7 | B20015511 | 1 | GRILL BOX BACK 53 |
| 8 | 002355-000 | 2 | GRILL RECEPTACLE BOX |
| 9 | A20015410 | 1 | GRILL WIRE CHANNEL - 53 REAR |
| 10 | L1005398 | 2 | SIDE HEAT SHIELD |
| 11 | B2005203 | 1 | GRILL BOX SIDE RH (PHASE 2) |
| 12 | 008327-000 | 1 | BURNER BOX, ASM, BQ |
| 13 | B30015552 | 2 | 0+4 SPARK MODULE TERMINAL HOUSING |
| 14 | PA020047 | 2 | INVENSYS 0+4 RE-IGNITION SPARK MODULE |
| 15 | B20015508 | 1 | GRILL BOX BOTTOM 53 |
| 16 | PD020014 | 1 | 10X3/4 PH TR HD SMS |
| 17 | PE070855 | 1 | E SERIES TERMINAL BLOCK |
| 18 | PE070791 | 1 | GRILL POWER SUPPLY CORD (8 FT) |
| 19 | PD040044 | 1 | SNAP THRU BUSHING 1/4DIA CORD |
| 20 | 008180-000 | 1 | SUPPORT, BQ, FR |
| 21 | B2005204 | 1 | PANEL, GRL, LH |
| 22 | A20015412 | 1 | GRILL WIRE CHANNEL - 42 SHORT |
| 23 | B2005246 | 1 | BURNER BOX SHIELD (PHASE 2) |
| 24 | 002354-000 | 1 | GRILL PLUG PLATE |
| NI | 019962-000 | 1 | SERVICE POWER CORD SHIELD KIT |



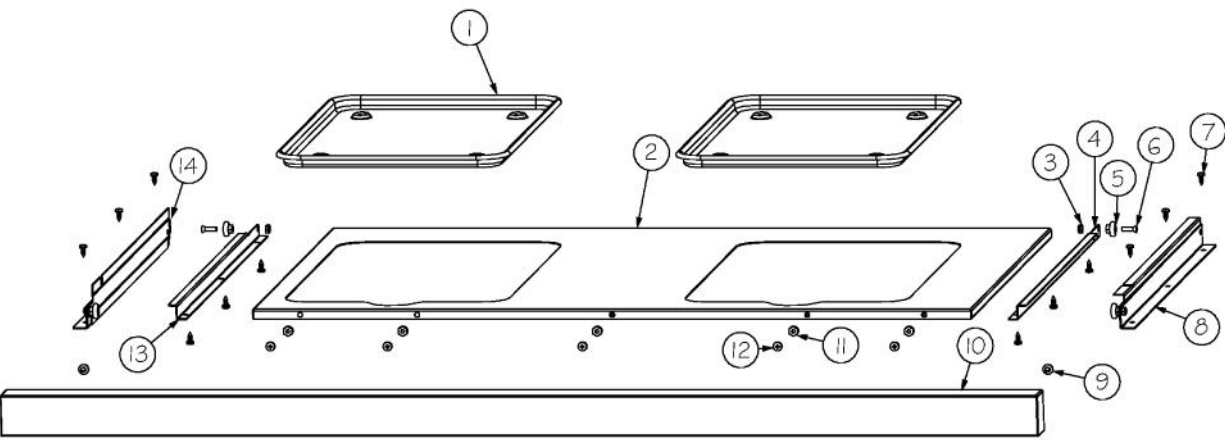
| Ref # | Part Number | Qty. | Description |
|-------|-------------|------|--------------------------------|
| 1 | 002369-000 | 2 | REDESIGN BBQ GRATE - FULL |
| 2 | 002370-000 | 2 | REDESIGN BBQ GRATE - HALF |
| 3 | G3005350 | 1 | SMOKER BOX ASSY (VGBQ3002RT) |
| 4 | PK010061 | 6 | HALF FLAVOR GRID PHASE 2 |
| 5 | PD020055 | 12 | NO.10 X 1/2 PAN PHIL. TEK. SS |
| 6 | B20015515 | 1 | GRILL FRAME 41 |
| 7 | PB020115 | 1 | SMOKER FLASH TUBE |
| 8 | PD020067 | 14 | NO.6 X 3/8 PAN PHIL. TEK SS |
| 9 | PB040288 | 3 | SMOKER BURNER IGNITER |
| 10 | PD030044 | 16 | 10-24 KEPS NUT SS |
| 11 | 006757-000 | 2 | SMOKER DRIP SHIELD |
| 12 | PD020048 | 6 | NO.10 X 1/2 TEK 410 SS SCREW |
| 13 | B2005248 | 1 | FRONT BURNER BRACKET (PHASE 2) |
| 14 | PA080051 | 2 | SMOKER/GRILL BURNER |
| 15 | 008181-000 | 2 | BRCKT, IGNITOR, MT. |
| 16 | 006011-000 | 2 | GRILL BURNER FRONT BRACKET |
| 17 | 004276-000 | 2 | OUTDOOR GRILL U-BURNER |
| 18 | 006010-000 | 2 | GRILL BURNER REAR BRACKET |
| 19 | 007676-000 | 2 | DRIP SHIELD, U |
| 20 | PB020114 | 2 | FLASH TUBE (VGBQ3002T) |



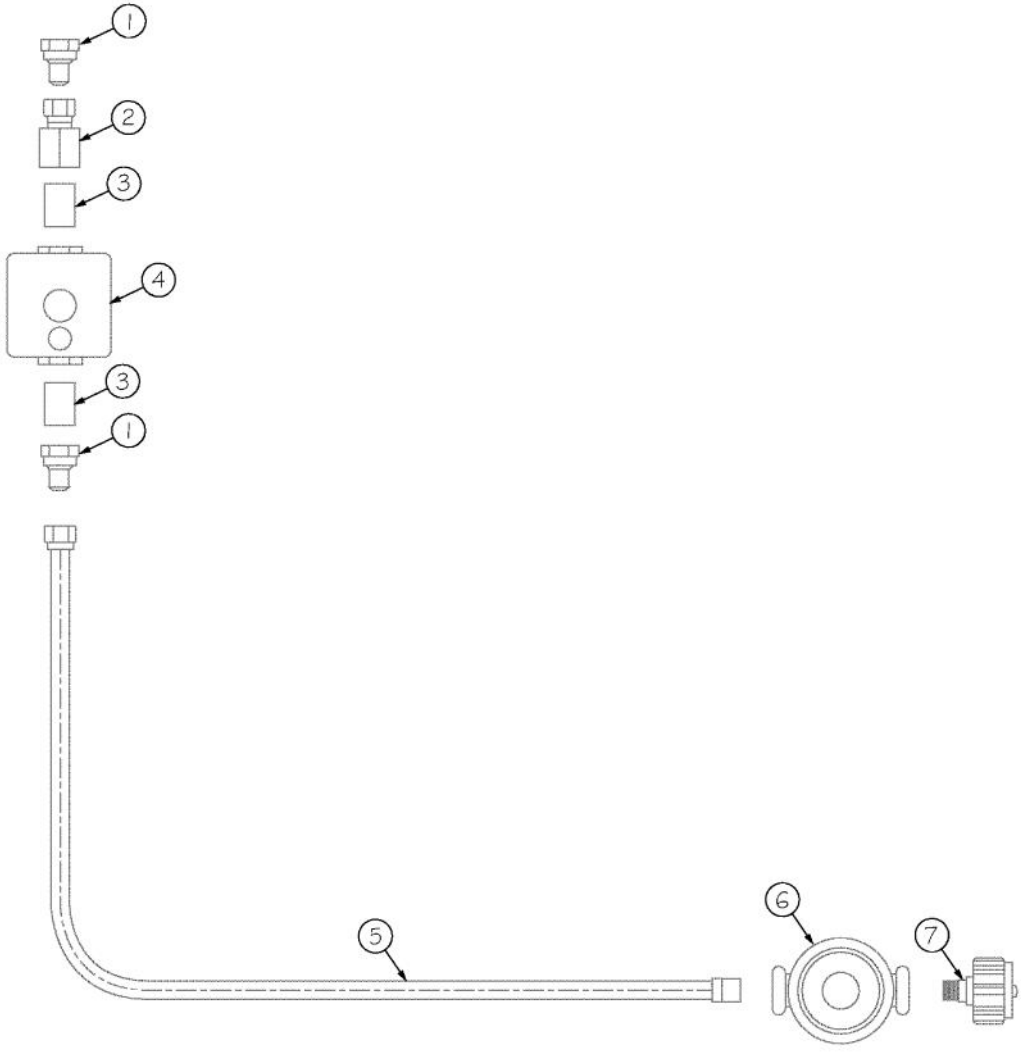
| Ref # | Part Number | Qty. | Description |
|-------|-------------|------|----------------------------------|
| 1 | 003636-000 | 1 | 41 OUTER CANOPY |
| 2 | PB010337 | 1 | GRILL THERMOMETER |
| 3 | 003366-000 | 1 | THERMOSTAT BEZEL |
| 4 | PD020055 | 23 | NO.10 X 1/2 PAN PHIL. TEK. SS |
| 5 | 007379-000 | 1 | GRILL CANOPY INSIDE RH |
| 6 | 003630-000 | 1 | GRILL CANOPY OUTSIDE RH |
| 7 | 007215-000 | 1 | CANOPY SPRING END MOUNT-RH |
| 8 | PD020056 | 4 | NO.10-24 X 1/2 PH.TR. M.S. SS |
| 9 | 003637-000 | 1 | 41 CANOPY HEAT SHIELD |
| 10 | PD020069 | 4 | CAP SCREW 1/4-20 X 3/4 SS |
| 11 | PD040010 | 2 | DOOR HANDLE SPACER |
| 12 | 000268-000 | 2 | HANDLE END CAP ASSY |
| 13 | PE030040 | 1 | DOOR/CNPY HNDLE - RPLCS PE930090 |
| 14 | 003633-000 | 1 | GRILL CANOPY INSIDE LH |
| 15 | 003632-000 | 1 | GRILL CANOPY OUTSIDE LH |
| 16 | 005941-000 | 1 | CANOPY SPRING END MOUNT-LH |



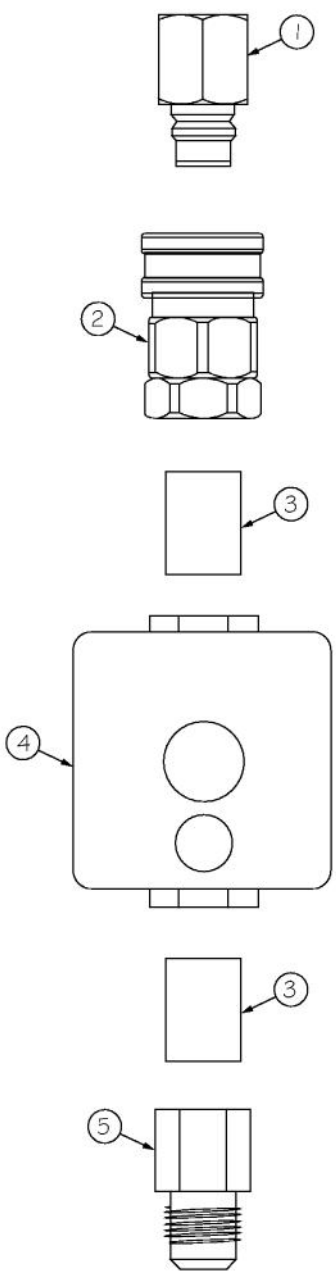
| Ref # | Part Number | Qty. | Description |
|-------|-------------|------|--------------------------------------|
| 1 | 002884-000 | 4 | MANIFOLD PLUG |
| 2 | PA050068 | 1 | PHASE2 53 MANIFOLD |
| 3 | PD020055 | 3 | NO.10 X 1/2 PAN PHIL. TEK. SS |
| 4 | PD010012 | 11 | VALVE BOLT 1/4-20 UNC-2B 5/16 M.S. |
| 5 | PE050019 | 1 | OVEN LIGHT SWITCH (VGSO166) 90-DEG. |
| 6 | 006390-000 | 6 | GAS VALVE - NAT. |
| 7 | PA020045 | 6 | IGNITOR SWITCH |
| 8 | PD030050 | 4 | 10-24 CAGE NUT SS |
| 9 | PK010065 | 1 | LANDING LEDGE (VGBQ53) T SERIES |
| 10 | PD020067 | 14 | NO.6 X 3/8 PAN PHIL. TEK SS |
| 11 | 005999-000 | 7 | LED BOARD ASSEMBLY |
| 12 | PD030006 | 2 | CAPPED WASHER PAL NUT |
| 13 | 006063-000 | 1 | VGBQ5323RE1 CONTROL PANEL |
| 14 | PD020056 | 4 | NO.10-24 X 1/2 PH.TR. M.S. SS |
| 15 | PB010163 | 2 | OVEN LIGHT SWITCH KNOB BK |
| 16 | PB010304 | 7 | KNOB BEZEL |
| 17 | PD020067 | 7 | NO.6 X 3/8 PAN PHIL. TEK SS |
| 18 | 003561-000 | 6 | OUTDOOR GRILL KNOB |
| 19 | PE010142 | 1 | 3 LOGO XBKXXCHROME |
| 20 | 003562-000 | 1 | OUTDOOR IR GRILL KNOB |
| 21 | 003563-000 | 1 | ROTIS BURNER KNOB |
| 22 | 007657-000 | 1 | PROT. COVER |
| 23 | PD020073 | 2 | SRW NO.10 X 24 X 3/8 WAFER HD TYPE23 |
| 24 | 006021-000 | 1 | SCE, PWR, LED, 12VAC |



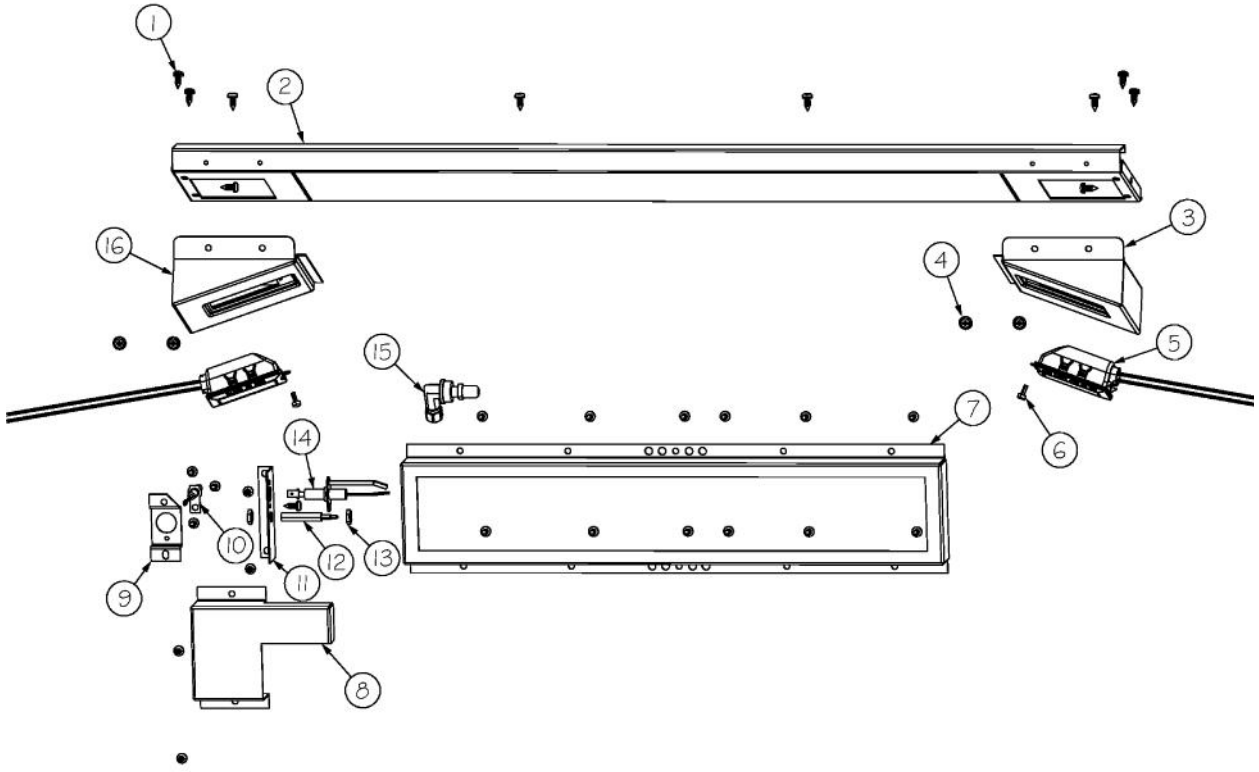
| Ref # | Part Number | Qty. | Description |
|-------|-------------|------|------------------------------------|
| 1 | PB080061 | | GREASE PAN |
| 2 | B2005309 | | DRIP TRAY 41 |
| 3 | PD030044 | | 10-24 KEPS NUT SS |
| 4 | B2005316 | | DRIP TRAY RUNNER RH |
| 5 | PC020025 | | DRIP TRAY WHEEL |
| 6 | PD020082 | | 10 X 24 COUNTERSUNK S.S. SCREW |
| 7 | PD020055 | | NO.10 X 1/2 PAN PHIL. TEK. SS |
| 8 | G3005214 | | DRIP TRAY SLIDE - LH |
| 9 | PD04004 | | SNAP THRU BUSHING 1/4DIA CORD |
| 10 | PK010068 | | DRIP TRAY HANDLE (VGBQ53) T SERIES |
| 11 | PD030044 | | 10-24 KEPS NUT SS |
| 12 | PD020056 | | NO.10-24 X 1/2 PH.TR. M.S. SS |
| 13 | B2005317 | | DRIP TRAY RUNNER LH (PHASE 2) |
| 14 | G3005214 | | DRIP TRAY SLIDE - LH |



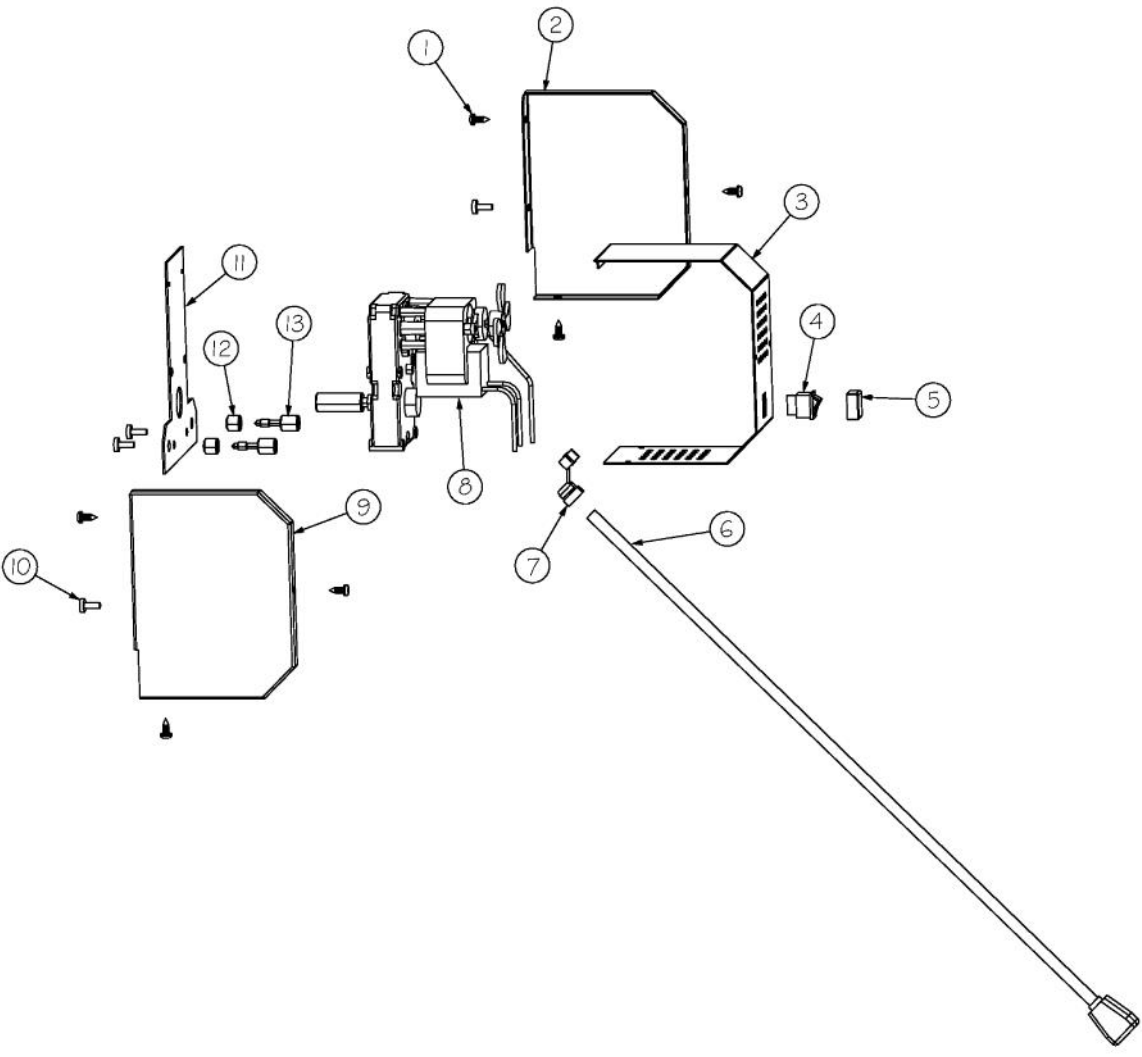
| Ref # | Part Number | Qty. | Description |
|-------|-------------|------|---------------------------------|
| 1 | PB040146 | | 1/2 X 3/8 FLARE ADAPTER (VGBQ) |
| 2 | PB040235 | | 1/2NPT TO 3/8 FLARE COUPLING |
| 3 | PB040046 | | 1/2 CLOSE NIPPLE (VGSO166) |
| 4 | PA070005 | | PRESSURE REG.(LP) RV47L-77-10.0 |
| 5 | PB020227 | | HIGH PRESSURE LP HOSE |
| 6 | PA070007 | | LP TANK REGULATOR (VGBQ) |
| 7 | PA010138 | | CYLINDER CONNECTION |



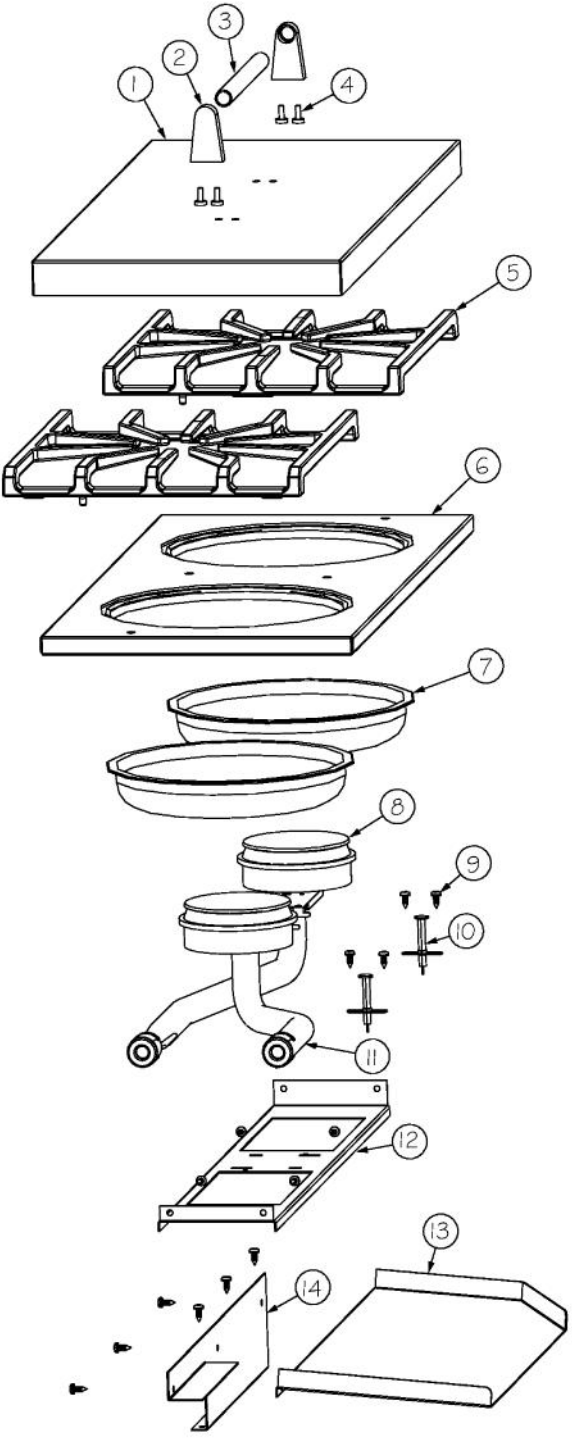
| Ref # | Part Number | Qty. | Description |
|-------|-------------|------|-----------------------------------|
| 1 | PB040167 | | MALE COUPLER (PHASE 1 GRILL) |
| 2 | PB040166 | | FEMALE COUPLER (PHASE 1 GRILL) |
| 3 | PB040046 | | 1/2 CLOSE NIPPLE (VGSO166) |
| 4 | PA070006 | | PRESSURE REGULATOR - NATURAL |
| 5 | PB020239 | | 7/8 FLARE TO 1/2 FEMALE CONNECTOR |



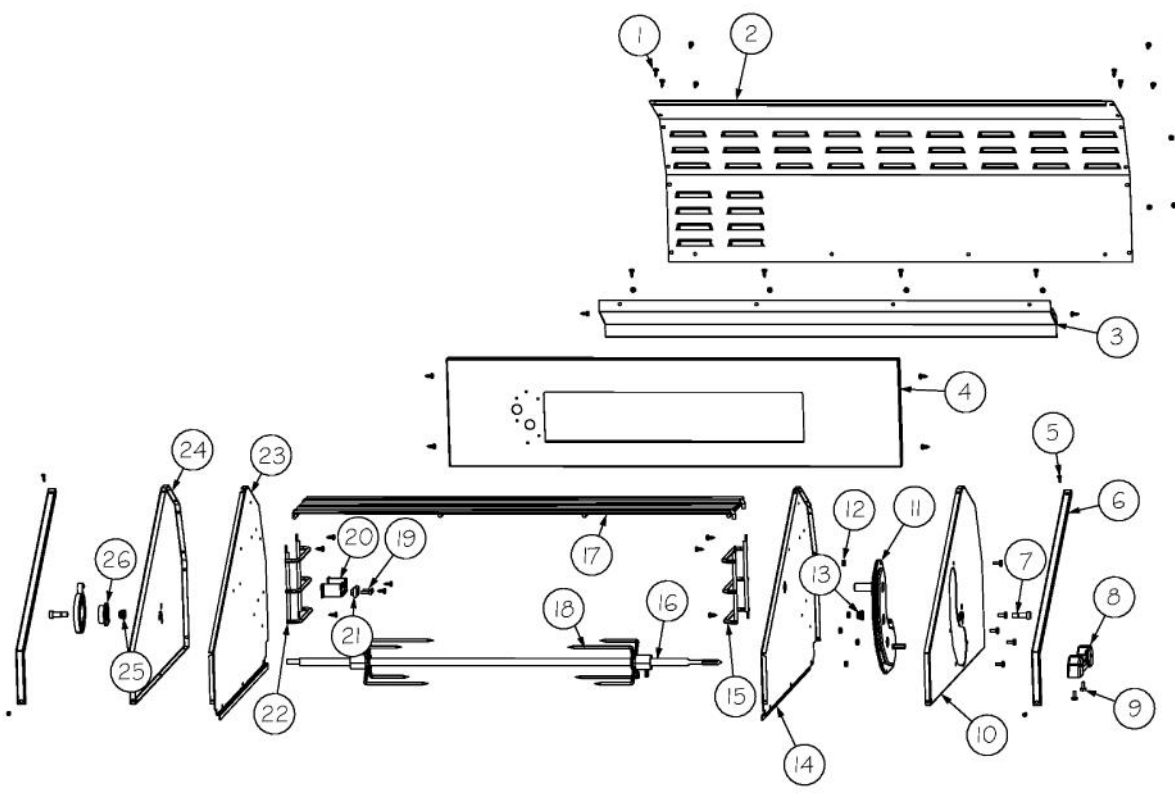
| Ref # | Part Number | Qty. | Description |
|-------|-------------|------|--------------------------------------|
| 1 | PD020055 | | NO.10 X 1/2 PAN PHIL. TEK. SS |
| 2 | G91015562 | | 41 E SERIES LIGHT BAR |
| 3 | 000603-000 | | GRILL LIGHT HOUSING RH |
| 4 | PD020073 | | SRW NO.10 X 24 X 3/8 WAFER HD TYPE23 |
| 5 | 001310-000 | | 120V HALOGEN LIGHT |
| 6 | PD020067 | | NO.6 X 3/8 PAN PHIL. TEK SS |
| 7 | B2005347 | | INFRARED FRAME |
| 8 | B20015402 | | I/R IGNITOR COVER LH |
| 9 | B20015401 | | FLEXIBLE IGNITOR STANDOFF |
| 10 | PB040280 | | FLEXIBLE ROTISSERIE IGNITOR |
| 11 | B20015403 | | IR IGNITOR BRACKET |
| 12 | PB010162 | | THERMOCOUPLE - BBQ GRILL W/ ROTIS |
| 13 | PD030048 | | THERMOCOUPLE NUT M08-VGBQ-8743300007 |
| 14 | PB040160 | | WOK IGNITER |
| 15 | PB040124 | | 90 DEG. ORIFICE FITTING |
| 16 | 000602-000 | | GRILL LIGHT HOUSING LH |



| Ref # | Part Number | Qty. | Description |
|-------|-------------|------|---|
| 1 | PD020055 | | NO.10 X 1/2 PAN PHIL. TEK. SS |
| 2 | B2005285 | | PHASE II ROTIS BOX FRONT |
| 3 | B2005286 | | PHASE II ROTIS COVER |
| 4 | PE050051 | | ROTIS SWITCH |
| 5 | PE050046 | | ROTIS SWITCH BOOT |
| 6 | PE070189 | | ELECTRICAL SUPPLY CORD - BBQ GRILL |
| 7 | PD040044 | | SNAP THRU BUSHING 1/4DIA CORD |
| 8 | PE070184 | | ROTISSERIE MOTOR |
| 9 | B2005284 | | PHASE II ROTIS BOX FRONT |
| 10 | PD020056 | | NO.10-24 X 1/2 PH.TR. M.S. SS |
| 11 | B1005283 | | ROTIS. MOUNTING PLATE (PHASE 2) |
| 12 | PD030064 | | CAPTURE NUT 1/4 NO.20 |
| 13 | PD010090 | | ROTIS FASTENER KNOB |
| NI | G3205282 | | ROTISSERIE MOTOR ASSEMBLY (PHASE 2) (INCLUDES ITEMS 1 THRU 13) |



| Ref # | Part Number | Qty. | Description |
|-------|-------------|------|------------------------------------|
| 1 | 004459-000 | | GRILL SIDE BURNER COVER |
| 2 | PE030187 | | ENDCAP, TUBE |
| 3 | PE030197 | | VGIQ30 COVER HANDLE |
| 4 | PD020056 | | NO.10-24 X 1/2 PH.TR. M.S. SS |
| 5 | 003082-000 | | OUTDOOR SPIDER GRATE |
| 6 | 004462-000 | | 53 GRILL SIDE BURNER GRATE SUPPORT |
| 7 | PA030002 | | BURNER BOWL |
| 8 | 004277-000 | | SS BURNER ASM, FRONT SIDE |
| 9 | PD020055 | | NO.10 X 1/2 PAN PHIL. TEK. SS |
| 10 | PA020028 | | SPARK IGNITER |
| 11 | 004278-000 | | SS BURNER ASM, REAR TOP |
| 12 | B2005260 | | PHASE II BURNER SUPPORT |
| 13 | B20015507 | | GREASE DIVERTER |
| 14 | B20015506 | | SIDE BURNER DRIP SHIELD |



| Ref # | Part Number | Qty. | Description |
|-------|-------------|------|--|
| 1 | PD020055 | | NO.10 X 1/2 PAN PHIL. TEK. SS |
| 2 | 003653-000 | | 41 GRILL REAR COVER |
| 3 | E91014431 | | FRONT HOUSING BOTTOM 41 |
| 4 | G91015545 | | 41 FRONT HOUSING WELD ASSY |
| 5 | 000394-000 | | NO.8 SS TECH SCREW - COUNTERSINK |
| 6 | B20015574 | | GRILL WINDSHIELD TRIM |
| 7 | PD010043 | | 5/16INCH SHOULDER BOLT (PHASE 2) |
| 8 | PB060055 | | ROTISSERIE MOUNT CASTING |
| 9 | PD020056 | | NO.10-24 X 1/2 PH.TR. M.S. SS |
| 10 | B20015575 | | OUTSIDE WINDSHIELD - RH |
| 11 | PC070024 | | ROTIS. GEAR BOX ASSY |
| 12 | PD030044 | | 10-24 KEPS NUT SS |
| 13 | G5005257 | | OUTSIDE WINDSHIELD ASSY LH |
| 14 | B20015418 | | INSIDE WINDSHIELD RH |
| 15 | PB060112 | | WARMING RACK SUPPORT RH |
| 16 | PB060053 | | ROTISSERIE SPIT ROD 41 |
| 17 | PB060056 | | WARMING RACK 41 |
| 18 | PB060058 | | SPIT FORK |
| 19 | PD020082 | | 10 X 24 COUNTERSUNK S.S. SCREW |
| 20 | PC020025 | | DRIP TRAY WHEEL |
| 21 | B2005278 | | ROTISSERIE ROLLER BRACKET (PHASE 2) |
| 22 | PB060113 | | WARMING RACK SUPPORT LH |
| 23 | B20015419 | | INSIDE WINDSHIELD LH |
| 24 | B20015576 | | OUTSIDE WINDSHIELD-LH |
| 25 | 005942-000 | | SPRING INDEX |
| 26 | 003746-000 | | FLAT TORSION SPRING FOR OUTDOOR GRILL CANOPY |

*No Image
Available*

| Ref # | Part Number | Qty. | Description |
|-------|-------------|------|--------------------------------|
| NI | PE070812 | 1 | WIRE HARNESS (VGBQ5323RE) |
| NI | G4006379 | 2 | WIRE ASSY (VGBQ-T SERIES) 25 |
| NI | G40016227 | 1 | IGNITOR WIRE 18 |
| NI | G40016229 | 2 | IGNITOR WIRE 34 |
| NI | G40016234 | 1 | IGNITOR WIRE 22 |
| NI | G40016228 | 1 | IGNITOR WIRE 25 |
| NI | 025323-000 | 1 | HARNESS, WIRE, ROTISSERIE |
| NI | 005999-000 | 7 | LED BOARD ASSEMBLY |
| NI | 006017-000 | 3 | LED WIRE 4.875 |
| NI | 006018-000 | 2 | LED WIRE 8.75 |
| NI | 006019-000 | 1 | LED WIRE 10.75 |
| NI | 006105-000 | 1 | LED WIRE 11.50 |
| NI | 006385-000 | 1 | 53 WIRE ASSEMBLY |
| NI | PE070791 | | GRILL POWER SUPPLY CORD (8 FT) |