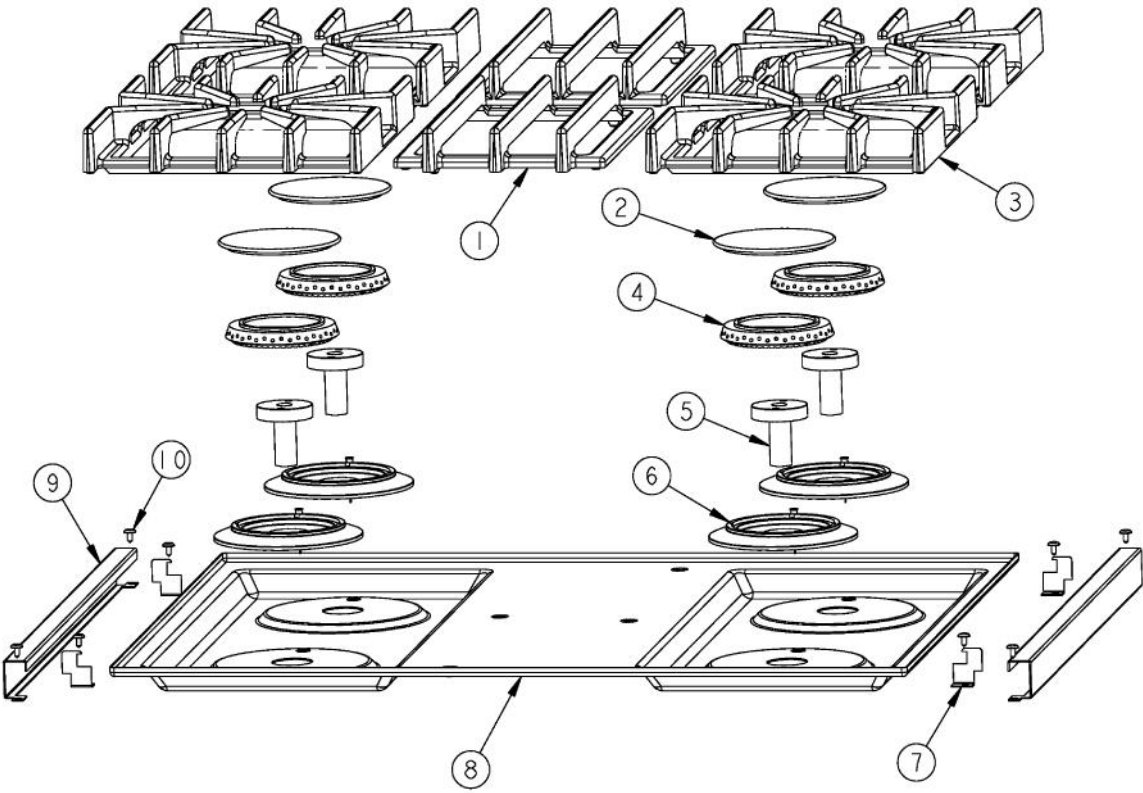
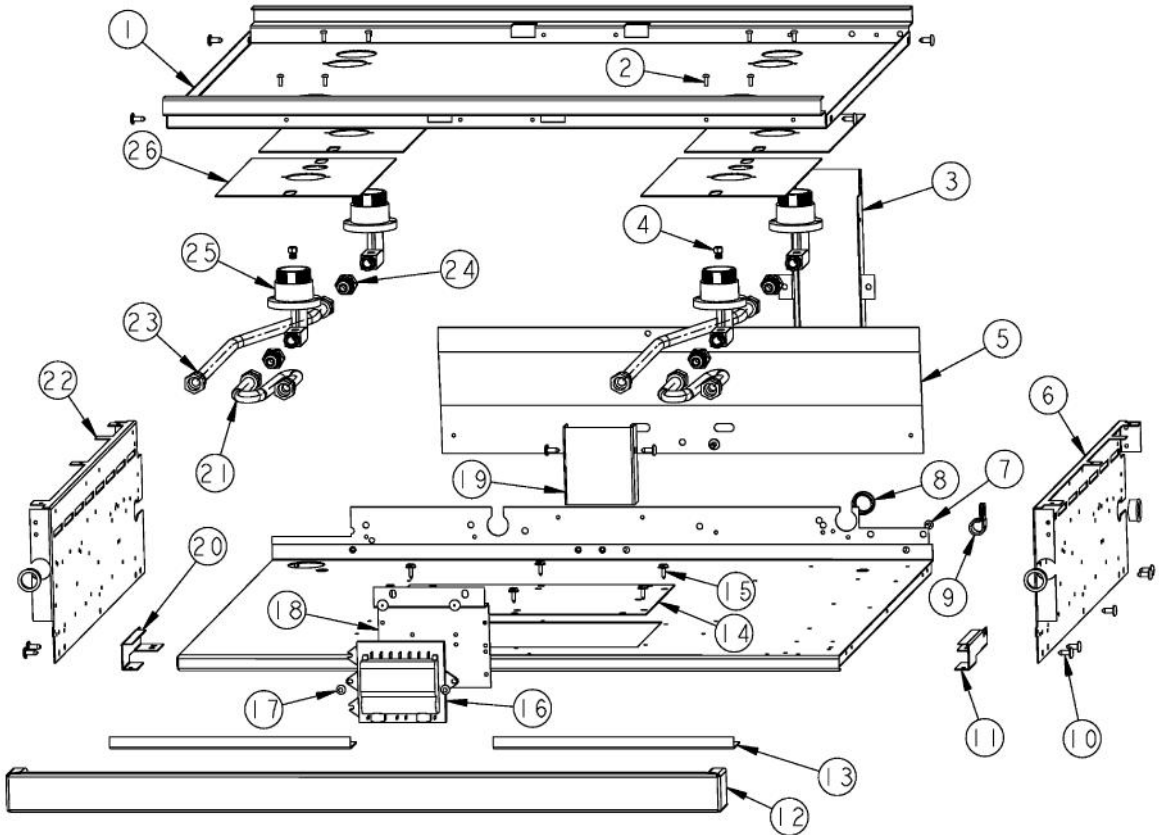


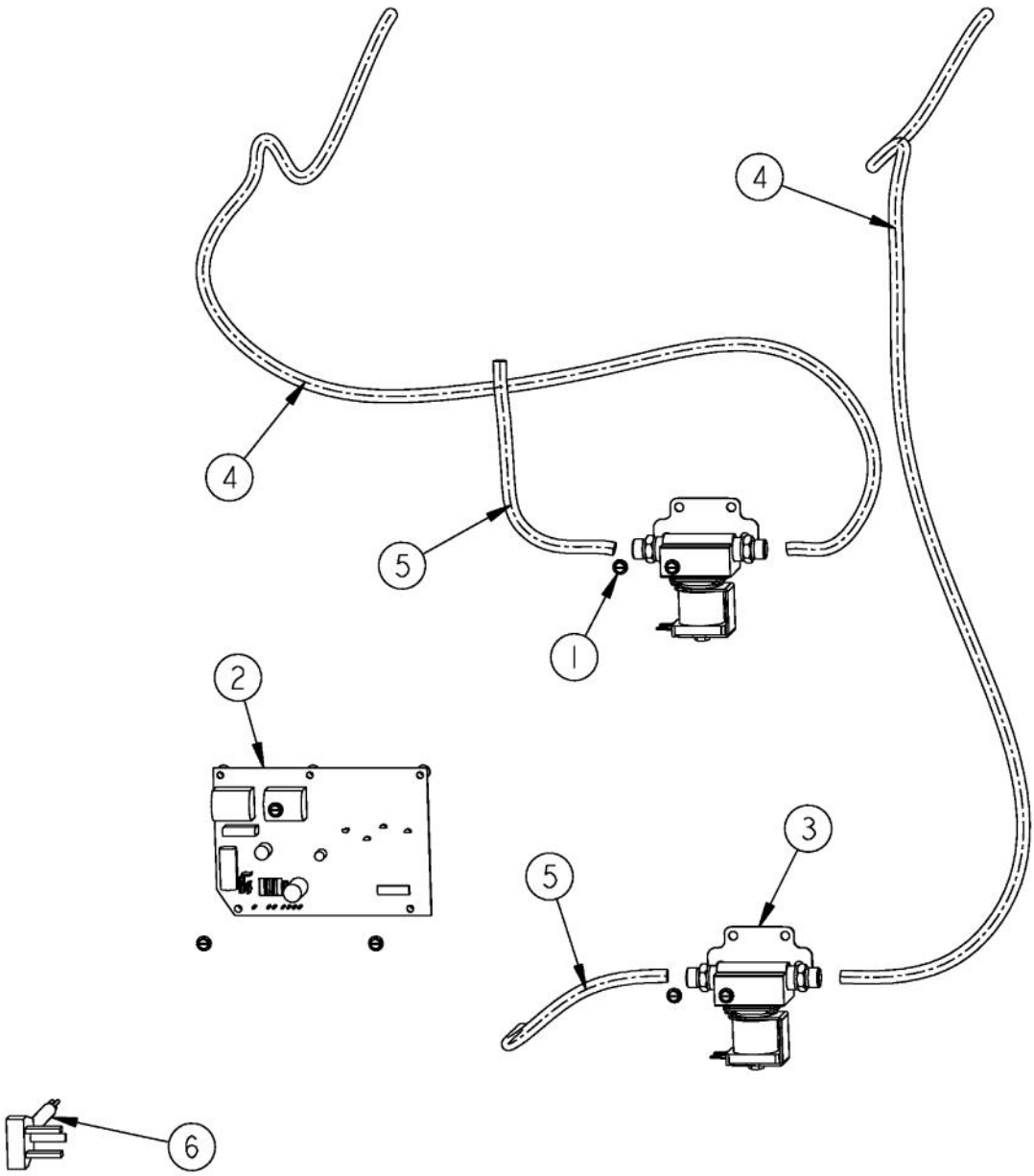
Ref #	Part Number	Qty.	Description
1	G3006766		SEALED LANDING LEDGE ASSY
2	PD030005		SELF RETAINING NUT
3	PA070001		PRESSURE REGULATOR (NAT.)
4	PA050113		MANIFOLD
5	PA020045		IGNITOR SWITCH
6	PA010158		SUB TO 003517-000 - SEALED BURNER FLARE VALVE
7	PB030007		SHUT OFF VALVE
8	PD040005		SNAP BUSHING - 7/8
9	A1001138		MANIFOLD BRKT
10	PD010012		VALVE BOLT 1/4-20 UNC-2B 5/16 M.S.
11	PB070146		POLY FILM, (VDSC,VGSC)
12	PE050024		OVEN IND. LIGHT (LIGHT HOUSING)
13	PB010036		THERMOSTAT BAKE/BROIL
14	PD020033		SRW-NO.10-24X1/2T(23)PH.WFR HD (NKL)
15	PE010081		CONVECTION-LABEL/PLATE (CHROME)
15	PE010082		CONVECTION-LABEL/PLATE (XBRX)
16	PB010208		BEZEL, CHROME PLATE
16	PB010209		BEZEL BRASS
17	PB010206		VGSC,VGRC,VGRT TOP BURNER KNOB(BK)
17	PB010207		VGSC,VGRC,VGRT TOP BURNER KNOB(WH)
18	PD020006		NO.6-32 X 1/4 PH.PAN HD. T(F)
19	PE050023		OVEN IND. LIGHT (LENS & BEZEL)
20	PB010099		T/STAT B/B KNOB BK REPL PB010039BKX
20	PB010100		THERMOSTAT BAKE/BROIL KNOB XWHX N/S
21	PD020046		NO.8 X 1/2 SCREWS
22	PE050016		OVEN LIGHT SWITCH - XBKX (WES-GAR)
22	PE050017		OVEN LIGHT SWITCH - XWHX (WES-GAR)
23	B9202840		CTRL PAN VGSC305-4B REPL B9201791
24	PD020002		10 X 1/2 PH.TR.HD.SMS.



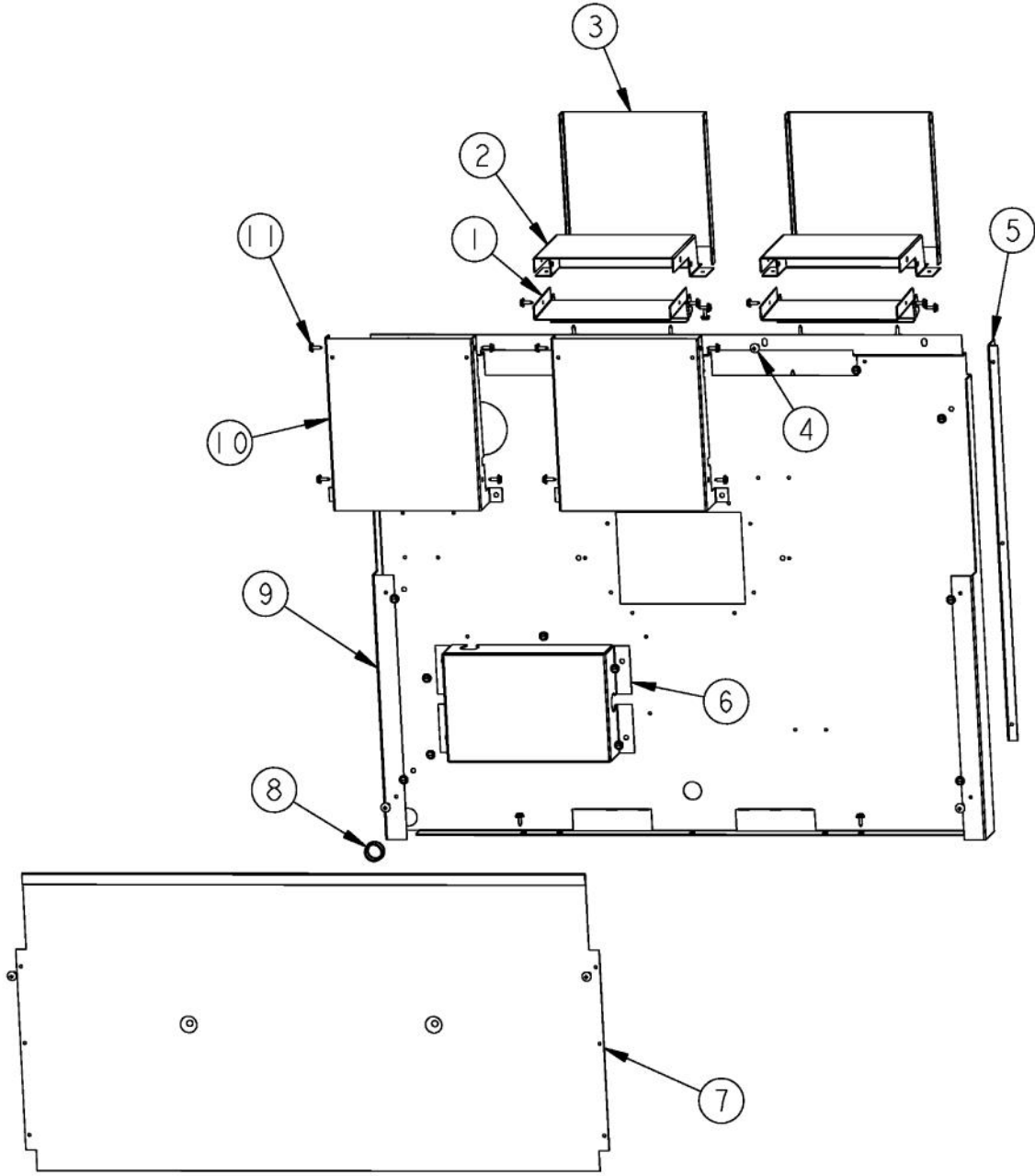
Ref #	Part Number	Qty.	Description
1	PA060060		SEALED COOKTOP CENTER GRATE XBKX
1	PA060061		SEALED COOKTOP CENTER GRATE GRAY
2	PA080083		D BURNER CAP XMATTE BLACKX
2	PA080086		D BURNER CAP XMATTE GRAYX
3	PA060054		SEALED GRATE XBKX
3	PA060062		SEALED GRATE GRAY
4	PB050063		BURNER HEAD
5	PA010100		VENTURI D (VDSC3074B)
6	PB050081		BURNER BASE ASSEMBLY (INCLUDES IGNITER)
7	A2007858		SIDE TRIM BRKT
8	E9107413AL		MAIN TOP WELD ASSY. - AL (AFTER 6/11/03)
8	E9107413BK		MAIN TOP 30 XBKX
8	E9107413BT		MAIN TOP WELD ASSY. - BT (AFTER 6/11/03)
8	E9107413CB		MAIN TOP WELD ASSY. - CB (AFTER 6/11/03)
8	E9107413EP		MAIN TOP WELD ASSY. - EP (AFTER 6/11/03)
8	E9107413FG		MAIN TOP WELD ASSY. - FG (AFTER 6/11/03)
8	E9107413GG		MAIN TOP WELD ASSY. - GG (AFTER 6/11/03)
8	E9107413LE		MAIN TOP WELD ASSY. - LE (AFTER 6/11/03)
8	E9107413MJ		MAIN TOP WELD ASSY. - MJ (AFTER 6/11/03)
8	E9107413SG		MAIN TOP 30 XSGX
8	E9107413VB		MAIN TOP WELD ASSY. - VB (AFTER 6/11/03)
8	E9107413WH		MAIN TOP 30 XWHX
9	B2007868		IC SEALED SIDE TRIM
9	C9307868BR		IC SEALED SIDE TRIM XBRX
10	PD020032		SRW-8(A)X3/8PH.WFR HD 7/16DIAXNICL



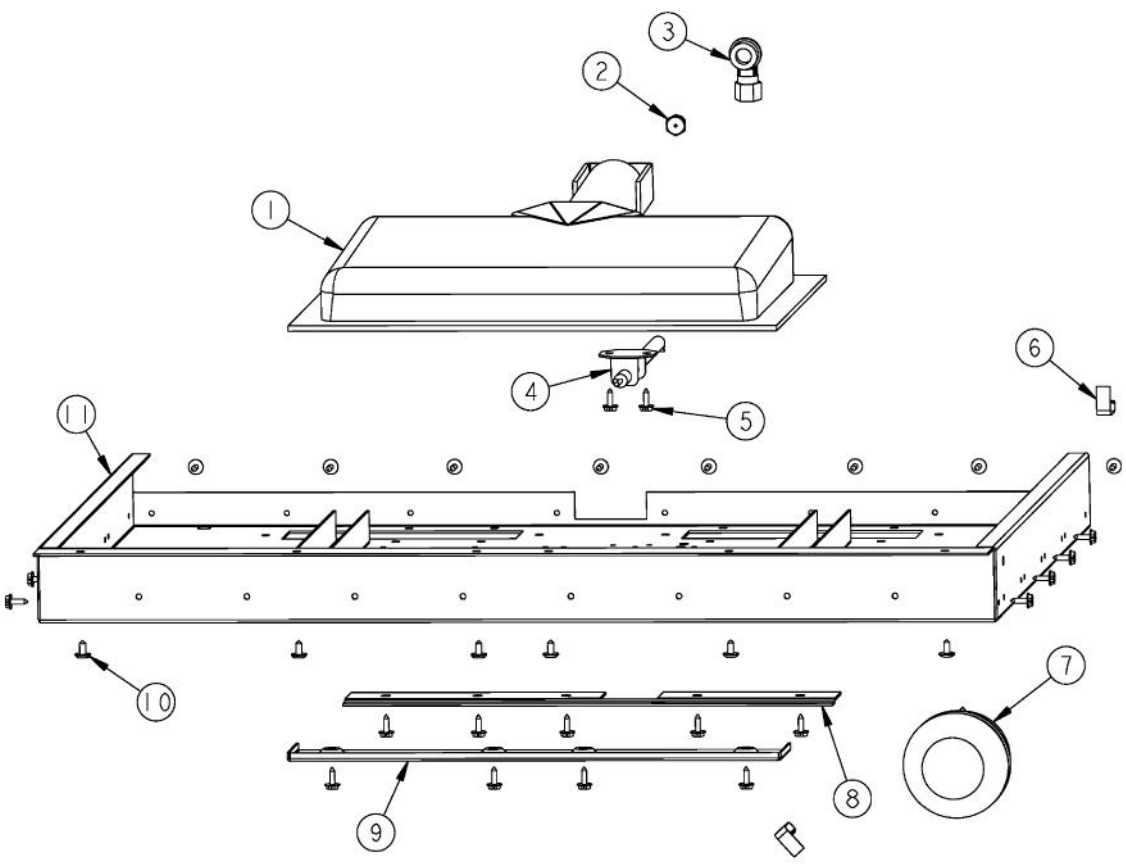
Ref #	Part Number	Qty.	Description
1	A2007852		BURNER SUPPORTS
2	PD020076		6-32 X 3/8 PHILL PAN MS
3	A2009526		VGIC245 BROIL FLUE DEFLECTOR
4	PB040194		SEALED RANGE ORIFICE (NAT)
4	PB040217		L.P. ORIFICE
5	A2004461		HEAT SHIELD (VGSC306)
6	A2006747		BURNER BOX SIDE RH (VDSC3074B)
7	PD020010		10 X 3/8 GREEN GROUNDING SCREW
8	PD040005		SNAP BUSHING - 7/8
9	PD030118		SCREW - SHLDR
10	PD020002		10 X 1/2 PH.TR.HD.SMS.
11	A20011467		FALSE DRIP TRAY HANDLE BRKT. RH
12	B30011468		FALSE DRIP TRAY HANLDE (WELDED) - 30
12	G93011458PVD		DRIP TRAY HANDLE ASSY 30 PVD
13	A20013896		FALSE HANDLE SHIELD
14	A1006344		DOOR LOCK ACCESS PANEL 48
15	PD020003		NO.10 X 1/2 T(A) HEX WASHER HEAD
16	PA020047		INVENSYS 0+4 RE-IGNITION SPARK MODULE
17	PD020004		10X3/8PH.HD.TYPE 25 REPL PD040125
18	A2007855		SPARK MODULE BRKT
19	A2007847		VGIC307 BROIL FLUE COVER
20	A20011466		FALSE DRIP TRAY HANDLE BRKT. LH
21	PB020192		10 FLEX TUBING W/CONNECTORS
22	A2006748		BURNER BOX SIDE LH (VDSC3074B)
23	PB020193		16 FLEX TUBING W/CONNECTORS
24	PA050086		5/8 MALE FLARE FITTING
25	PA080075		BODY BURNER D (VDSC3074BSS)
26	A1006734		BODY BURNER PLATE



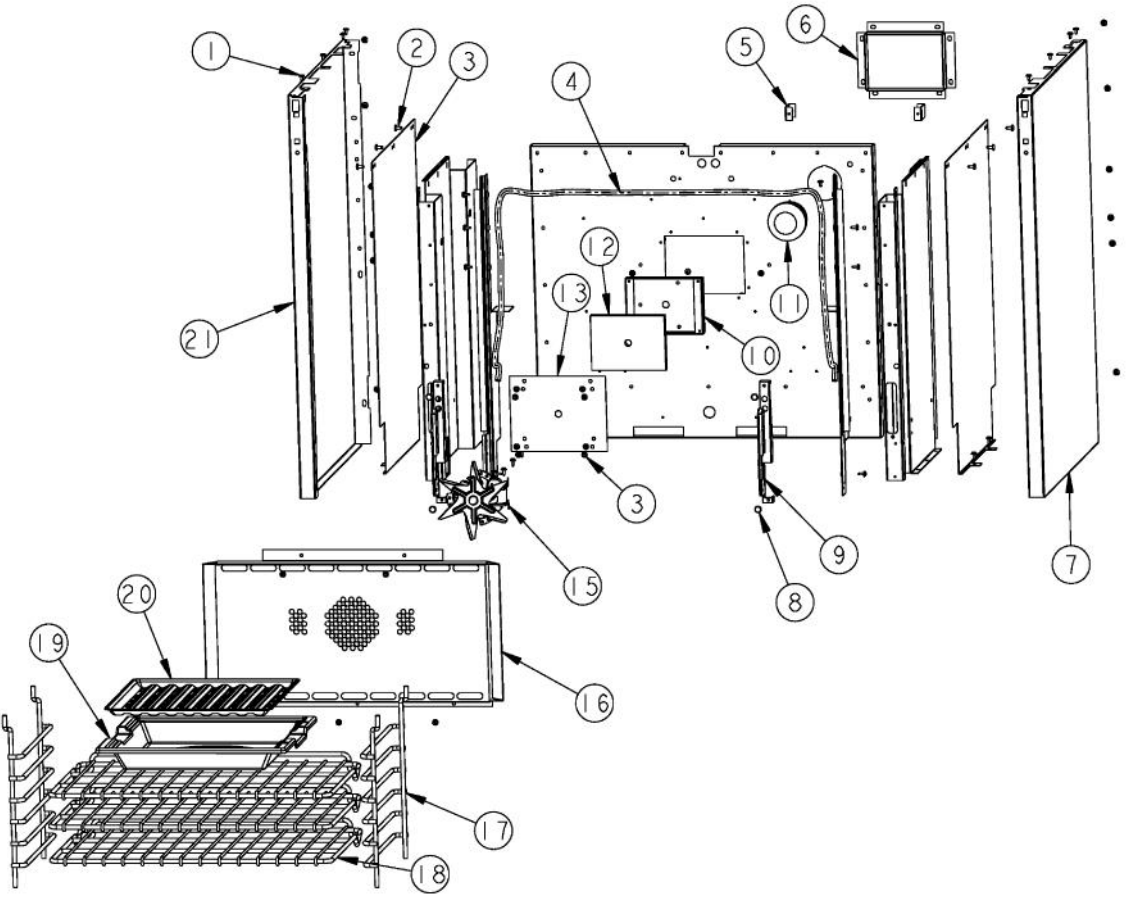
Ref #	Part Number	Qty.	Description
1	PD020003		NO.10 X 1/2 T(A) HEX WASHER HEAD
2	PA020035		DSI MODULE REPL PA020027
3	003226-000		FJT VALVE - NO NUT/FERRELL
4	PB020113		3/8 SS FLEX TUBING - 52 T6-52
5	PB020116		TUBING - 10 FLEXIBLE 12 & 24
6	PE070128		SUPPLY CORD (VGRT/SC/SS/RC)



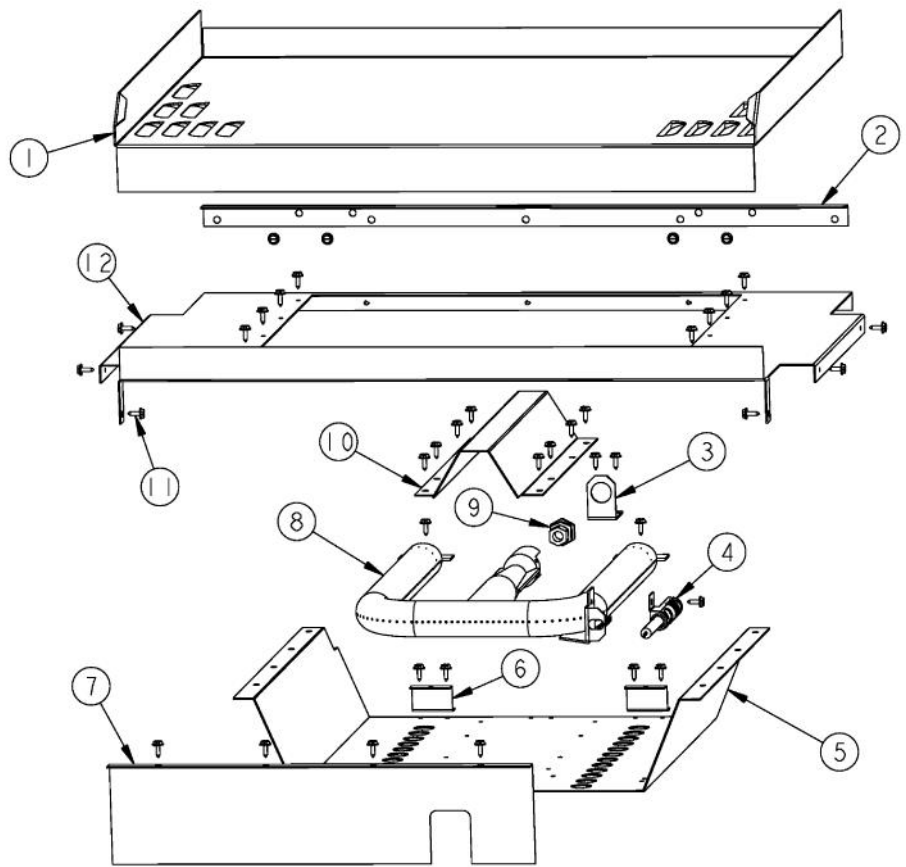
Ref #	Part Number	Qty.	Description
1	A2001415		FLUE BOX BTM (VGSC/SS)
2	A2001414		FLUE BOX TOP (VGSC/SS) 30
3	A2002365		VENT BOX FRONT VGSC/SS
4	PD010003		10-24 X 1/2 PH.TR.HD.SERD.M.S.
5	A2003495		O/S BACK BRACE (VGIS480)
6	A2009755		MODULE COVER, DSI MODULE
7	A2002009		REAR COVER (VGSS30)
8	PD040005		SNAP BUSHING - 7/8
9	A2005124		O/S BACK PANEL - 30
10	A2002366		VENT BOX BODY VGSC/SS
11	PD020003		NO.10 X 1/2 T(A) HEX WASHER HEAD



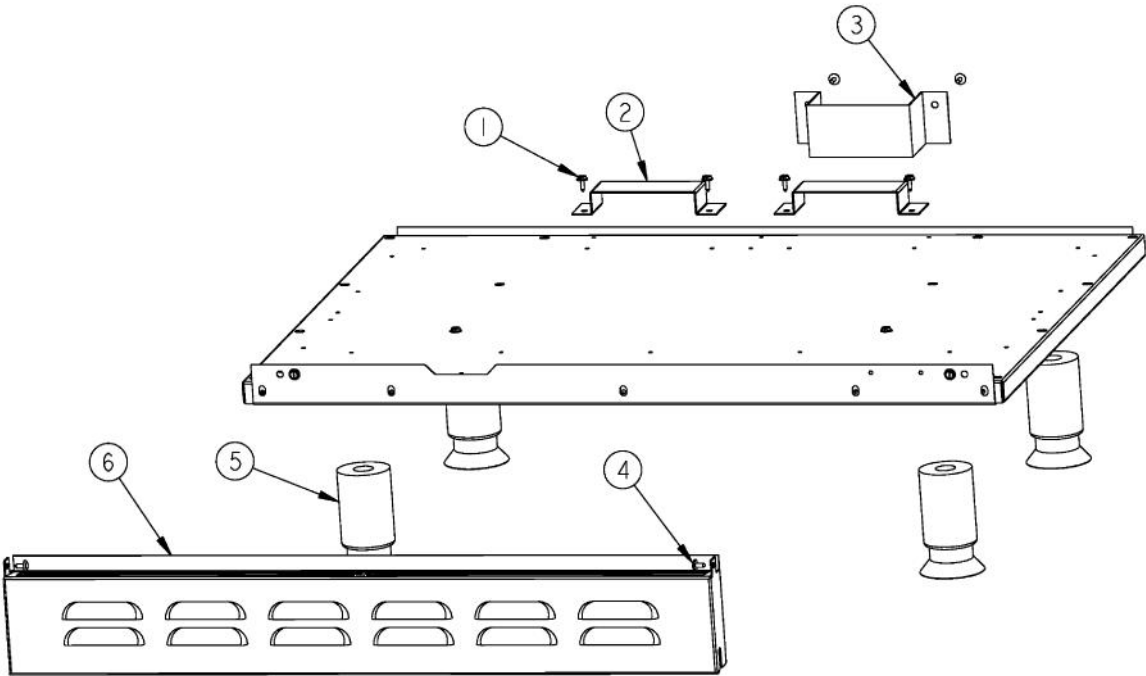
Ref #	Part Number	Qty.	Description
1	G3001876		IR BURNER ASSY (VGSC/RC) N/S
2	PB040040		ORIFICE-IR BURNER (VGSC)
2	PB040027		IR BUR.SPUD ORF. - NO.56 LP
3	PB040178		90 DEGREE ORIFICE FITTING (VGSC306)
4	PB040171		BROIL IGNITION ELECTRODE
5	PD020003		NO.10 X 1/2 T(A) HEX WASHER HEAD
6	PD030031		THERMAL BULB CLIP - .250
7	PE050009		OVEN LIGHT SOCKET - 36 BUILT-IN
8	B2005589		REAR BROILER BRACKET
9	B2002261		FRONT I/R BROILER SUPPORT BRACKET
10	PD020032		SRW-8(A)X3/8PH.WFR HD 7/16DIAXNICL
11	G9105694		OVEN TOP ASSY - VGIC305



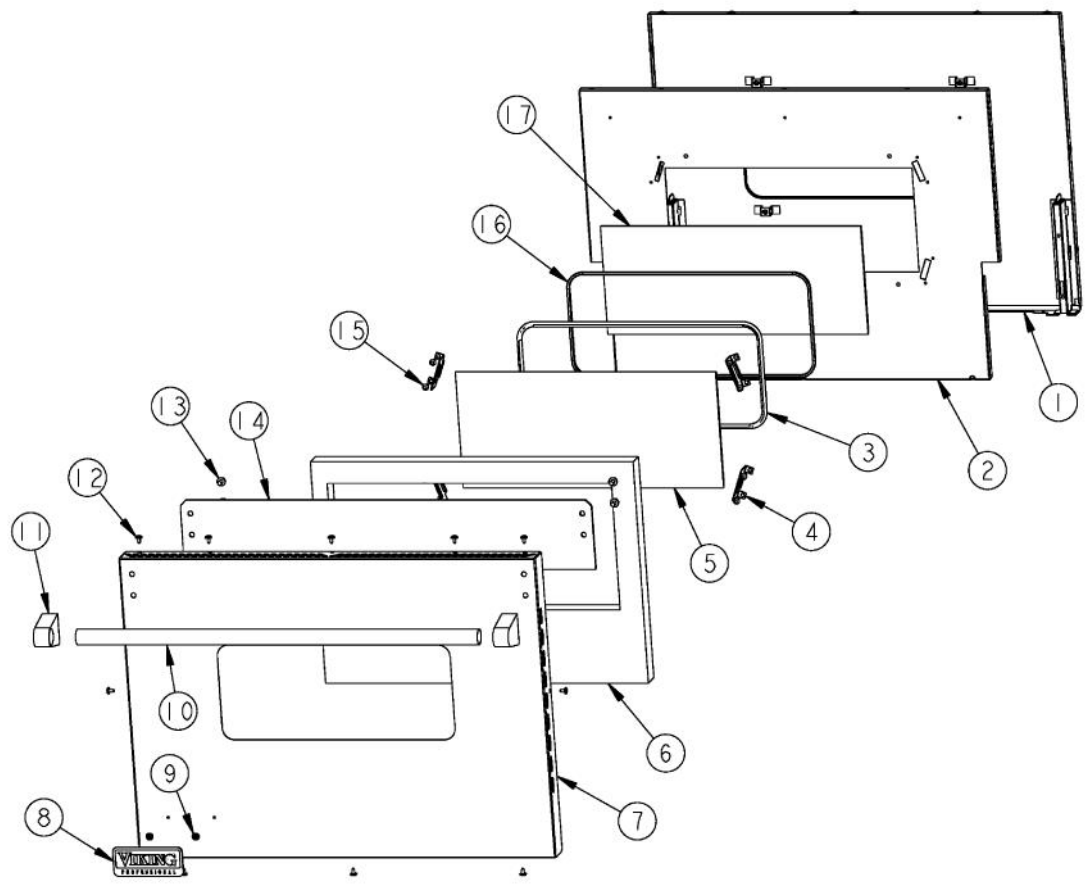
Ref #	Part Number	Qty.	Description
1	PD020032		SRW-8(A)X3/8PH.WFR HD 7/16DIAXNICL
2	PD020002		10 X 1/2 PH.TR.HD.SMS.
3	A2008490		INSULATION RETAINER, VGIC
4	PB070030		OVEN DR GASKET-30 & 36
5	A2001361		BACK SPACER (VGSC/VGSS)
6	A2008467		INSULATION SHIELD
7	B2007869		IC SEALED RH SIDE PANEL
7	C9007869AL		IC SEALED RH SIDE PANEL XALX
7	C9007869BK		IC SEALED RH SIDE PANEL XBKX
7	C9007869BT		IC SEALED RH SIDE PANEL XBTX
7	C9007869BU		SEALED RH SIDE PANEL XBUX
7	C9007869CB		IC SEALED RH SIDE PANEL XCBX
7	C9007869EP		IC SEALED RH SIDE PANEL XEPX
7	C9007869FG		IC SEALED RH SIDE PANEL XFGX
7	C9007869GG		IC SEALED RH SIDE PANEL XGGX
7	C9007869LE		IC SEALED RH SIDE PANEL XLEX
7	C9007869MJ		IC SEALED RH SIDE PANEL XMJX
7	C9007869SG		IC SEALED RH SIDE PANEL XSGX
7	C9007869VB		IC SEALED RH SIDE PANEL XVBX
7	C9007869WH		IC SEALED RH SIDE PANEL XWHX
8	PD020033		SRW-NO.10-24X1/2T(23)PH.WFR HD (NKL)
9	PC020007		HINGE ASSY (NO COLOR)
10	A2002595		CONVECTION FAN BOX (VDSC)
11	PE050009		OVEN LIGHT SOCKET - 36 BUILT-IN
12	PB070208		CONVECTION FAN INSULATION
13	A1002596		CONVECTION FAN COVER (VDSC)
14	PD020003		NO.10 X 1/2 T(A) HEX WASHER HEAD
15	PE050057		CONVECTION FAN (VGSC306)
16	G91012965		FAN COVER ASSY
17	PB060030		RACK SUPT REPL PB060010
18	PB060038		RACK REPL PB060011
19	E9107933		BROILER PAN
20	E9107934		BROILER PAN INSERT
21	B2007870		IC SEALED LH SIDE PANEL
21	C9007870AL		IC SEALED LH SIDE PANEL XALX
21	C9007870BK		IC SEALED LH SIDE PANEL XBKX
21	C9007870BT		IC SEALED LH SIDE PANEL XBTX
21	C9007870BU		IC SEALED LH SIDE PANEL XBUX
21	C9007870CB		IC SEALED LH SIDE PANEL XCBX
21	C9007870EP		IC SEALED LH SIDE PANEL XEPX
21	C9007870FG		IC SEALED LH SIDE PANEL XFGX
21	C9007870GG		IC SEALED LH SIDE PANEL XGGX
21	C9007870LE		IC SEALED LH SIDE PANEL XLEX
21	C9007870MJ		IC SEALED LH SIDE PANEL XMJX
21	C9007870SG		IC SEALED LH SIDE PANEL XSGX
21	C9007870VB		IC SEALED LH SIDE PANEL XVBX
21	C9007870WH		IC SEALED LH SIDE PANEL XWHX



Ref #	Part Number	Qty.	Description
1	G3204251		OVEN BOTTOM ASSY - RH OVEN, 48
2	A2000606		OVEN BTM PAN SUPT
3	A2007978		BAKE ORIFICE BRACKET, VGIC245
4	PB040170		BAKE IGNITION ELECTRODE
5	A2007668		AIR PLATE
6	B2004415		BURNER BRACKET (VGSC306)
7	A20010434		BOTTOM HEAT SHIELD FRONT 24-30
8	PB050059		BAKE BURNER - NATURAL GAS
9	PB040172		3/8 X 3/8 ORIFICE FITTING
10	A2004424		BURNER COVER (VGSC306)
11	PD020003		NO.10 X 1/2 T(A) HEX WASHER HEAD
12	A2008491		BOTTOM HEAT SHIELD, VGIC305
NI	G4005411	1	DSI BAKE JUMPER (VGSC306)
NI	G4005412	1	DSI BROIL JUMPER (VGSC306)

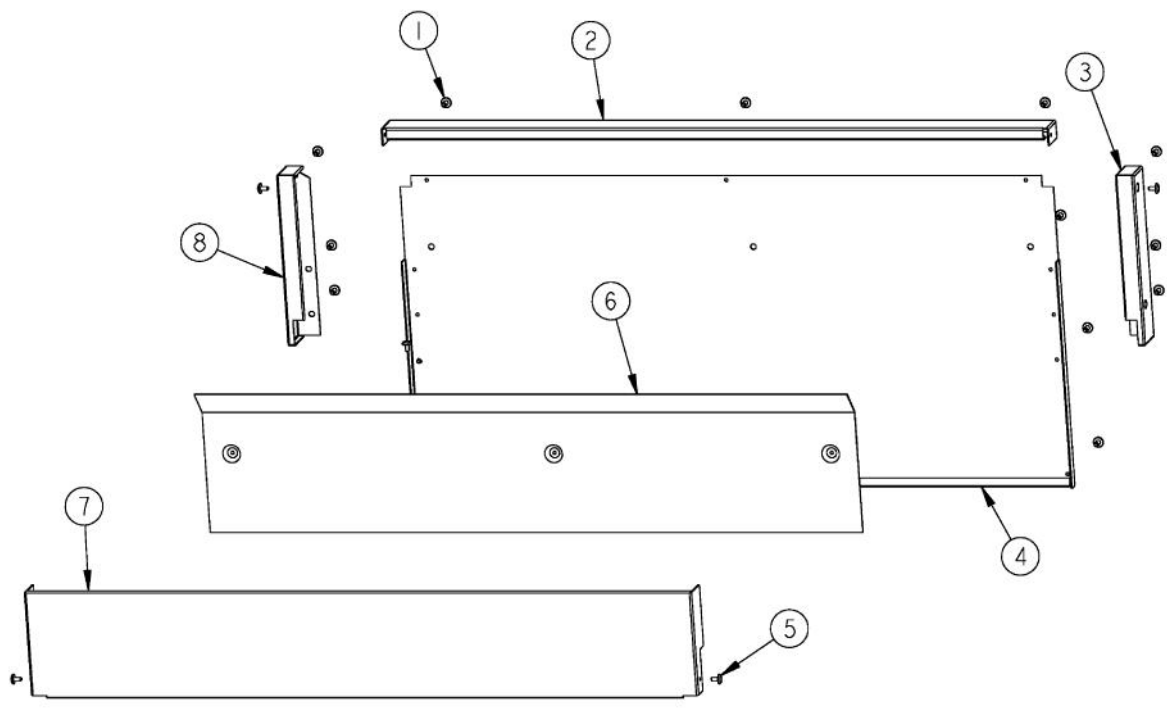


Ref #	Part Number	Qty.	Description
1	PD020003		NO.10 X 1/2 T(A) HEX WASHER HEAD
2	A2001359		REAR AIR PLATE BRKT (VGSC/VGSS)
3	A2001259		ANTI-TIP DEVICE
4	PD020032		SRW-8(A)X3/8PH.WFR HD 7/16DIAXNICL
5	PC030017		4 LEG ASSY
6	B2001815		LOWER ACC PAN - (VGRC605)
6	C9001815AL		LOWER ACC PAN - XALX (VGRC605)
6	C9001815BK		LOWER ACC PAN - XBKX (VGRC605)
6	C9001815BT		LOWER ACC PAN - XBTX (VGRC605)
6	C9001815BU		LOWER ACC PAN - XBUX (VGRC605)
6	C9001815CB		LOWER ACC PAN - XCBX (VGRC605)
6	C9001815EP		LOWER ACC PAN - XEPX (VGRC605)
6	C9001815FG		LOWER ACC PAN - XFGX (VGRC605)
6	C9001815GG		LOWER ACC PAN - XGGX (VGRC605)
6	C9001815LE		LOWER ACC PAN - XLEX (VGRC605)
6	C9001815MJ		LOWER ACC PAN - XMJX (VGRC605)
6	C9001815SG		LOWER ACC PAN - XSGX (VGRC605)
6	C9001815VB		LOWER ACC PAN - XVBX (VGRC605)
6	C9001815WH		LOWER ACC PAN - XWHX (VGRC605)

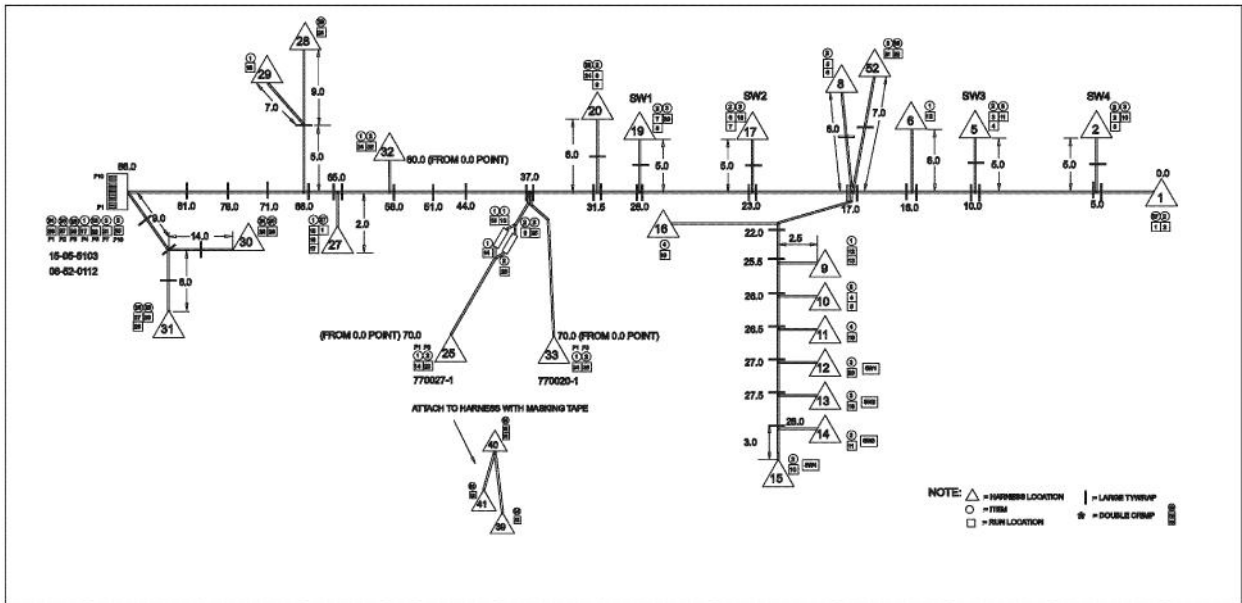


Ref #	Part Number	Qty.	Description
1	G9103408		INSIDE DOOR LINER (VGSC30)
2	A2003401		DOOR INSUL. PANEL (VGSC30)
3	PE060007		J-MOLD (1 RADIUS)
3	PE060020		J-MOLD (VGSO OVN DOOR) XBRX
4	A2003400		DOOR GLASS BRACKET
5	PE060018		OVN GLASS-TEMPERED,SCREENEDXBKX
6	PB070263		SUPERWOOL 1/2 X 19 X 3'
7	B2009171		OUTSIDE DOOR PANEL 30 SS
7	C9009172AL		OUTSIDE DOOR PANEL 30 XALX
7	C9009172BK		OUTSIDE DOOR PANEL 30 XBKX
7	C9009172BT		OUTSIDE DOOR PANEL 30 XBTX
7	C9009172BU		OUTSIDE DOOR PANEL 30 XBUX
7	C9009172CB		OUTSIDE DOOR PANEL 30 XCBX
7	C9009172EP		OUTSIDE DOOR PANEL 30 XEPX
7	C9009172FG		OUTSIDE DOOR PANEL 30 XFGX
7	C9009172GG		OUTSIDE DOOR PANEL 30 XGGX
7	C9009172LE		OUTSIDE DOOR PANEL 30 XLEX
7	C9009172MJ		OUTSIDE DOOR PANEL 30 XMJX
7	C9009172SG		OUTSIDE DOOR PANEL 30 XSGX
7	C9009172VB		OUTSIDE DOOR PANEL 30 XVBX
7	C9009172WH		OUTSIDE DOOR PANEL 30 XWHX
8	PE010016		NAMEPLATE, LOGO, PRO
8	PE010079		4.5 LOGO/VIKING PROF, BK/BR
8	PE010017		LOGO (VGSO,VEDO,VGDO,VUD) XWH/CHR
8	PE010080		4.5 LOGO/VIKING PROF XWH/BR
9	PD030006		CAPPED WASHER PAL NUT
10	PE030005		DOOR HANDLE - VGSC30/RC60/RC48RH
10	PE030012PVD		DOOR HANDLE - RH - (30/48) PVD
11	PE030001		BRACKET, DOOR, HANDLE
11	PE030001PVD		END CAP DOOR HANDLE XBR
12	PD020032		SRW-8(A)X3/8PH.WFR HD 7/16DIAXNICL
13	PD010019		BLT-1/4-20X3/8HEX WASHER SERATED
14	J10014440		30/48 DOOR HEAT SINK
15	PD020004		10X3/8PH.HD.TYPE 25 REPL PD040125
16	PB070014		DOOR GLASS SEAL STRIP - WINDOW DRS.
17	PE060008		GLASS REPL PE060009
NI	G3209182AL		DOOR ASSY 30 XALX
NI	G3209182ALBR		DOOR ASSY 30 XALBRX
NI	G3209182BK		DOOR ASSY 30 XBKX
NI	G3209182BKBR		DOOR ASSY 30 XBKBRX
NI	G3209182BT		DOOR ASSY 30 XBTX
NI	G3209182BTBR		DOOR ASSY 30 XBTBRX
NI	G3209182BU		DOOR ASSY 30 XBUX
NI	G3209182BUBR		DOOR ASSY 30 XBUBRX
NI	G3209182CB		DOOR ASSY 30 XCBX
NI	G3209182CBBR		DOOR ASSY 30 XCBBRX
NI	G3209182EP		DOOR ASSY 30 XEPX
NI	G3209182EPBR		DOOR ASSY 30 XEPBRX
NI	G3209182FG		DOOR ASSY 30 XFGX
NI	G3209182FGBR		DOOR ASSY 30 XFGBRX
NI	G3209182GG		DOOR ASSY 30 XGGX
NI	G3209182GGBR		DOOR ASSY 30 XGGBRX
NI	G3209182LE		DOOR ASSY 30 XLEX
NI	G3209182LEBR		DOOR ASSY 30 XLEBRX
NI	G3209182MJ		DOOR ASSY 30 XMJX
NI	G3209182MJBR		DOOR ASSY 30 XMJBRX
NI	G3209182SG		DOOR ASSY 30 XSGX
NI	G3209182SGBR		DOOR ASSY 30 XSGBRX
NI	G3209181SS		DOOR ASSY 30 XSSX
NI	G3209181SSBR		DOOR ASSY 30 XSSBRX

Ref #	Part Number	Qty.	Description
NI	G3209181SSBR		DOOR ASSY 30 XSSBRX
NI	G3209182VB		DOOR ASSY 30 XVBX
NI	G3209182VBBR		DOOR ASSY 30 XVBRRX
NI	G3209182WH		DOOR ASSY 30 XWHX



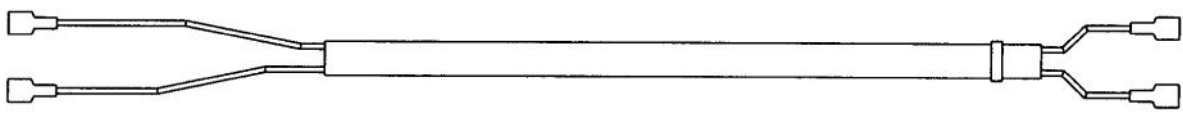
Ref #	Part Number	Qty.	Description
1	PD020002		10 X 1/2 PH.TR.HD.SMS.
2	B2001782		BACKGUARD TOP (VGRT30)
3	B3006728		SEALED VDSC BACKGUARD ENDCAP (RH)
4	A2001799		BACKGUARD BACK (6) VGRT30
5	PD020032		SRW-8(A)X3/8PH.WFR HD 7/16DIAXNICL
6	B20010164		VENT BAFFLE
7	B2006727		SEALED VDSC BACKGUARD FRONT
8	B3006729		SEALED VDSC BACKGUARD ENDCAP (LH)



Ref #	Part Number	Qty.	Description
NI	PE070748		30 VGIC WIRE HARNESS

1

NOTE: EACH "KIT" WILL CONTAIN SEVERAL SETS OF IGNITER WIRES (AS SHOWN BELOW). THESE SHOULD BE BUNDLED TOGETHER WITH TAPE & LABELED WITH THE KIT PURC. # , AND THE MODEL USAGE #.



Ref #	Part Number	Qty.	Description
1	PE070713		IGNITOR WIRE KIT - VGIC/VDSC/VGSC307