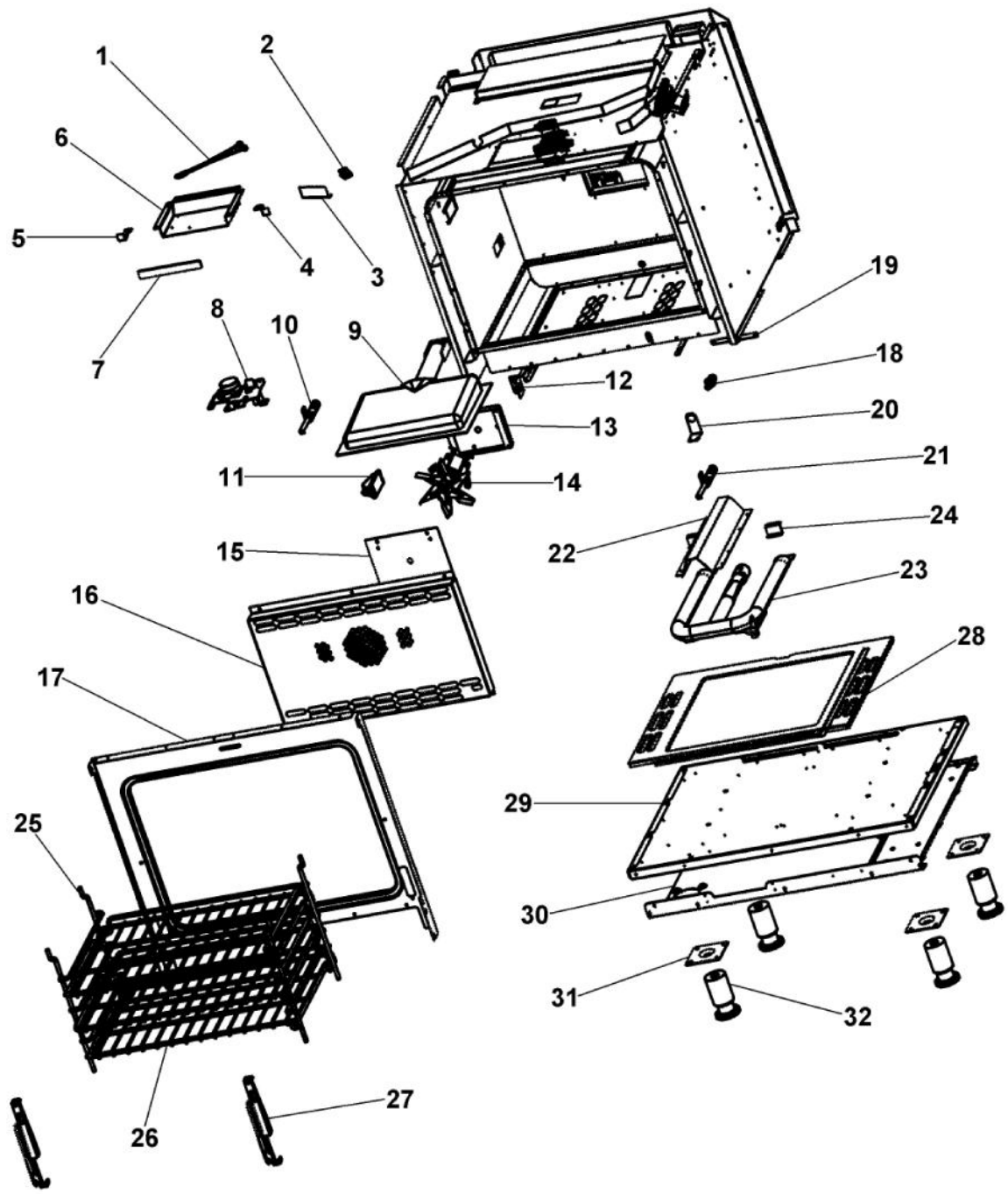


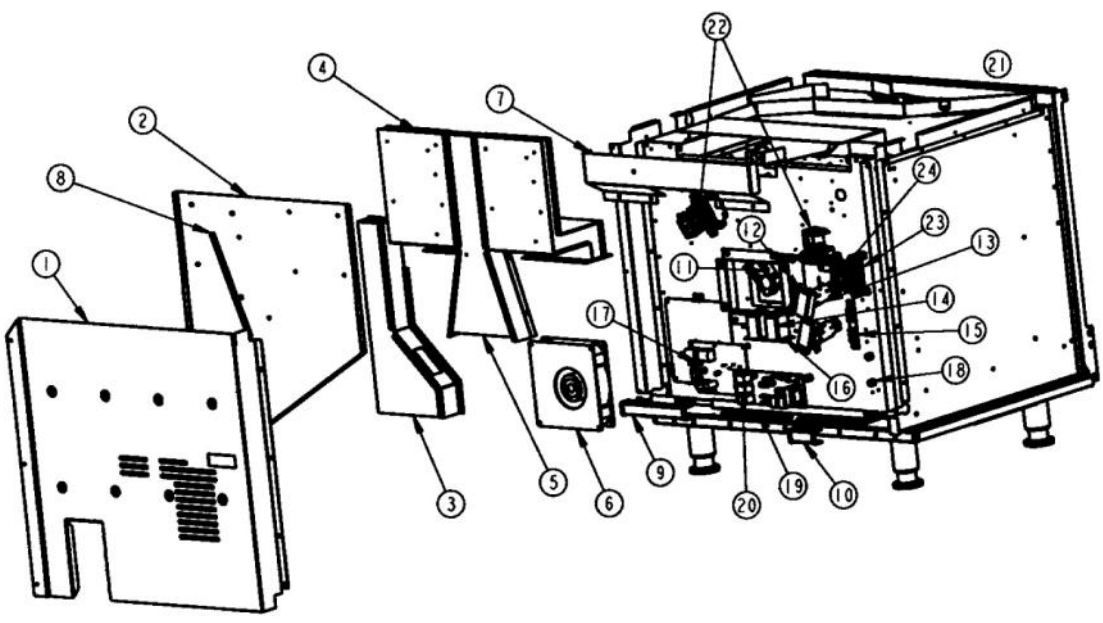
Ref #	Part Number	Qty.	Description
1	PA060054		SEALED GRATE XBKX
	PA060062		SEALED GRATE GRAY
2	PA060060		SEALED COOKTOP CENTER GRATE XBKX
	PA060061		SEALED COOKTOP CENTER GRATE GRAY
3	PA080045		BURNER CAP - BK?
	PA080086		D BURNER CAP XMATTE GRAYX
4	PB050063		BURNER HEAD (BEFORE 12/19/07)
4	001386-000		BURNER HEAD (AFTER 12/18/07)
5	PB040264		GLAZED ELECTRODE REPLACED BY PB050081
6	PB050062		BURNER BASE (BEFORE 12/19/07)
6	003322-000		SEALED BURNER BASE, PAINTED FINISH (AFTER 12/18/07)
NI	PA010100		VENTURI D (VDSC3074B)
7	E9107413AL		MAIN TOP WELD ASSY. - AL (AFTER 6/11/03)
	E9107413BK		MAIN TOP 30 XBKX
	E9107413BT		MAIN TOP WELD ASSY. - BT (AFTER 6/11/03)
	E9107413CB		MAIN TOP WELD ASSY. - CB (AFTER 6/11/03)
	E9107413EP		MAIN TOP WELD ASSY. - EP (AFTER 6/11/03)
	E9107413FG		MAIN TOP WELD ASSY. - FG (AFTER 6/11/03)
	E9107413GG		MAIN TOP WELD ASSY. - GG (AFTER 6/11/03)
	E9107413LE		MAIN TOP WELD ASSY. - LE (AFTER 6/11/03)
	E9107413MJ		MAIN TOP WELD ASSY. - MJ (AFTER 6/11/03)
	E9107413SG		MAIN TOP 30 XSGX
	E9107413VB		MAIN TOP WELD ASSY. - VB (AFTER 6/11/03)
	E9107413WH		MAIN TOP 30 XWHX
8	A2007852		BURNER SUPPORTS
9	PA020047		INVENSYS 0+4 RE-IGNITION SPARK MODULE
10	A20012961		SPARK MODULE BOX
11	PA080075		BODY BURNER D (VDSC3074BSS) (BEFORE 12/19/07)
11	001394-042		15000 BTU NAT JETHOLDER (AFTER 12/18/07)
11	001394-043		13500 BTU LP JETHOLDER (AFTER 12/18/07)
12	PB020193		16 FLEX TUBING W/CONNECTORS
13	PB020192		10 FLEX TUBING W/CONNECTORS
14	A2001401		INSULATION PANEL
15	A2006731		AIR DISTRIBUTOR PLATE
16	A2002496		BURNER BOX BTM (VDSC30)
17	L2006736		HEAT SINK PLATE
18	A1006737		DOOR LOCK ACCESS PANEL-SEALED
19	G3006739		DOOR LOCK INSULATION BOX WELD ASSY
20	A2004461		HEAT SHIELD (VGSC306)
21	A20012916		TERM. BLOCK BRACKET COVER
22	A10012915		TERM. BLOCK BRACKET VGSC307
23	B2007868		IC SEALED SIDE TRIM
	C9307868BR		IC SEALED SIDE TRIM XBRX
24	A20012962		SPARK MODULE BOX, COVER
25	A1001138		MANIFOLD BRKT
26	A2006747		BURNER BOX SIDE RH (VDSC3074B)
27	B20010179		O/S BODY PANEL - RH
	C90010179AL		SIDE PANEL RH XALX
	C90010179BK		SIDE PANEL RH XBKX
	C90010179BT		SIDE PANEL RH XBTX
	C90010179BU		SIDE PANEL RH XBUX
	C90010179CB		SIDE PANEL RH XCBX
	C90010179EP		SIDE PANEL RH XEPX

Ref #	Part Number	Qty.	Description
	C90010179EP		SIDE PANEL RH XEPX
	C90010179FG		SIDE PANEL RH XFGX
	C90010179GG		SIDE PANEL RH XGGX
	C90010179LE		SIDE PANEL RH XLEX
	C90010179MJ		SIDE PANEL RH XMJX
	C90010179SG		SIDE PANEL RH XSGX
	C90010179VB		SIDE PANEL RH XVBX
	C90010179WH		SIDE PANEL RH XWHX
28	B2007868		IC SEALED SIDE TRIM
	C9307868BR		IC SEALED SIDE TRIM XBRX
29	B20010180		O/S BODY PANEL - LH
	C90010180AL		SIDE PANEL LH XALX
	C90010180BK		SIDE PANEL LH XBKX
	C90010180BT		SIDE PANEL LH XBTX
	C90010180BU		SIDE PANEL LH XBUX
	C90010180CB		SIDE PANEL LH XCBX
	C90010180EP		SIDE PANEL LH XEPX
	C90010180FG		SIDE PANEL LH XFGX
	C90010180GG		SIDE PANEL LH XGGX
	C90010180LE		SIDE PANEL LH XLEX
	C90010180MJ		SIDE PANEL LH XMJX
	C90010180SG		SIDE PANEL LH XSGX
	C90010180VB		SIDE PANEL LH XVBX
	C90010180WH		SIDE PANEL LH XWHX
30	A2006748		BURNER BOX SIDE LH (VDSC3074B)
31	PA070001		PRESSURE REGULATOR (NAT.)
32	PA050113		MANIFOLD
33	A20011466		FALSE DRIP TRAY HANDLE BRKT. LH
34	A20011467		FALSE DRIP TRAY HANDLE BRKT. RH
35	G50014406		30 FALSE TRAY HANDLE SVC. KIT (SS)
	G50014407		30 FALSE TRAY HANDLE SVC. KIT (BR)
36	G3006766		SEALED LANDING LEDGE ASSY
37	B9204483		CTRL PAN (VGSC306) SILK SCRNN
38	PB010208		BEZEL, CHROME PLATE
	PB010209		BEZEL BRASS
39	PB010206		VGSC,VGRC,VGRT TOP BURNER KNOB(BK)
	PB010207		VGSC,VGRC,VGRT TOP BURNER KNOB(WH)
NI	PA020029		SWITCH SPACER
40	PB010187		THERMOSTAT KNOB SELF CLEAN XBKX
	PB010188		THERMOSTAT KNOB SELF CLEAN XWHX
41	PA010080		SELECTOR KNOB SELF CLEAN XBKX
	PA010081		SELECTOR KNOB SELF CLEAN XWHX
42	PE050023		OVEN IND. LIGHT (LENS & BEZEL)
43	PE050016		OVEN LIGHT SWITCH - XBKX (WES-GAR)
	PE050017		OVEN LIGHT SWITCH - XWHX (WES-GAR)
44	PA020015		SPARK IGNITION SWITCH (BEFORE 2/23/05)
	PA020045		IGNITOR SWITCH (AFTER 2/23/05)
45	PB010186		EK39 THERMOSTAT (SELF-CLEAN)
46	PJ030015		6 POS. SELECTOR SWITCH
47	G50012679		SEALED BURNER VALVE KIT (BEFORE 02/23/05)
	PA010158		SUB TO 003517-000 - SEALED BURNER FLARE VALVE (AFTER 02/23/05)
NI	PB040194		SEALED RANGE ORIFICE (NAT)
NI	PB040217		L.P. ORIFICE
48	PE050024		OVEN IND. LIGHT (LIGHT HOUSING)
NI	PB030002		SUB TO 003862-000 - SHUTOFF VALVE (BEFORE 2/23/05)

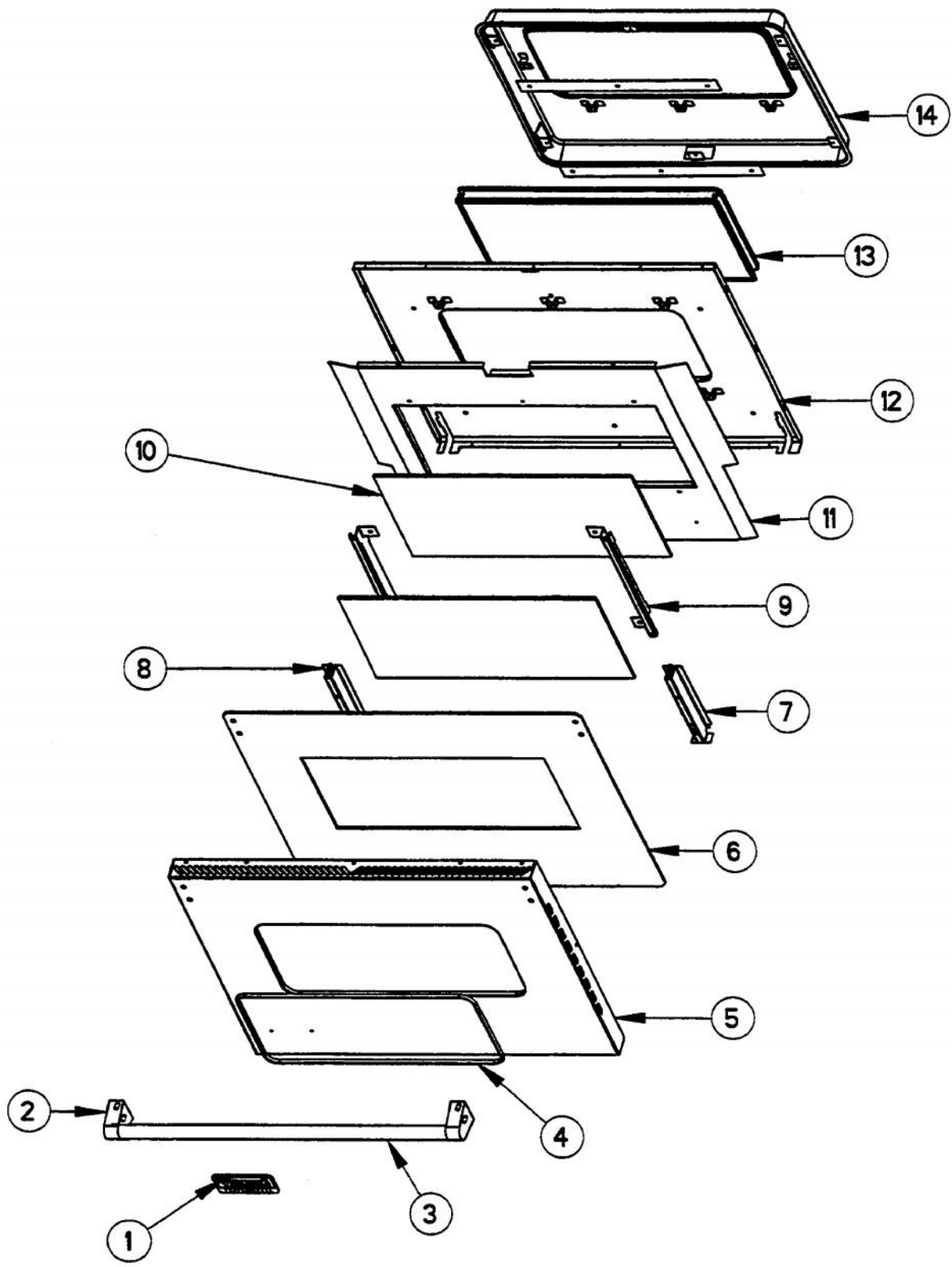
Ref #	Part Number	Qty.	Description
	PB030007		(BEFORE 2/23/05) SHUT OFF VALVE
NI	PJ030006		(AFTER 2/23/05) SWITCH (COOLING FAN)



Ref #	Part Number	Qty.	Description
1	PE050059		HI-LIMIT SWITCH
2	PD030062		.250 HI-LIMIT SWITCH CLAMP(VGSC306)
3	A20012920		TOP FRONT AIR BAFFLE LH
4	A20012913		DOOR GASKET BRACKET LH
5	A20012914		DOOR GASKET BRACKET RH
6	A2004423		DOOR LOCK BOX (VGSC306)
7	001255-000		ADHESIVE BACKED INSULATION
8	PE050053		DR LATCH REPL PE050020
9	G3001876		IR BURNER ASSY (VGSC/RC) N/S
NI	PB040040		ORIFICE-IR BURNER (VGSC) (NAT. - NO.47)
NI	PB040027		IR BUR.SPUD ORF. - NO.56 LP (L.P. - NO.56)
10	PB040171		BROIL IGNITION ELECTRODE
11	PE050056		OVEN LIGHT ASSY 12V/5W
12	A20012922		DISCONNECT POWER BRACKET
13	A2002595		CONVECTION FAN BOX (VDSC)
14	PE050057		CONVECTION FAN (VGSC306)
15	A1002596		CONVECTION FAN COVER (VDSC)
16	G9104482		CONVECTION FAN COVER ASSY (VGSC306)
17	G9102743		OVEN FRONT FRAME ASSY (VDSC30)
18	PB040172		3/8 X 3/8 ORIFICE FITTING
19	A2004428		REAR BOTTOM BRCKT (VGSC306)
20	A2004434		ORIFICE BRACKET (VGSC306)
21	PB040170		BAKE IGNITION ELECTRODE
22	A2004424		BURNER COVER (VGSC306)
23	PB050059		BAKE BURNER - NATURAL GAS
NI	PB040180		ORIFICE HOOD NO.31 (NAT. - NO.31)
NI	PB040230		BAKE BURNER ORIFICE (L.P.) - NO.50 (L.P.) - NO.50)
24	B2004415		BURNER BRACKET (VGSC306)
25	PB060030		RACK SUPT REPL PB060010
26	PB060044		OVEN RK VDSC30/48RH REPL PB060019
27	PC020009		HINGE ASSY (BROWN)
28	G9104438		OVEN BOTTOM PAN ASSY (VGSC306)
NI	A2004439	1	OVEN BOTTOM SHIELD (VGSC306)
29	A2002481		BTM INSULATION SHIELD (VDSC)
30	A2002480		MAIN BTM (VDSC)
31	PC030007		LEG PLATE - 3/4 THREADED HOLE
32	PC030017		4 LEG ASSY
NI	E9107933		BROILER PAN
NI	E9107934		BROILER PAN INSERT
NI	PB020126		3/8`` S.S. FLEX TUBING 15`` (DGCU)
NI	PB020112		3/8 SS FLEX TUBING - 36 T6-36
NI	PB020243		3/8 S.S. FLEX TUBING 40
NI	019497-000	1	30 CURB BASE KIT

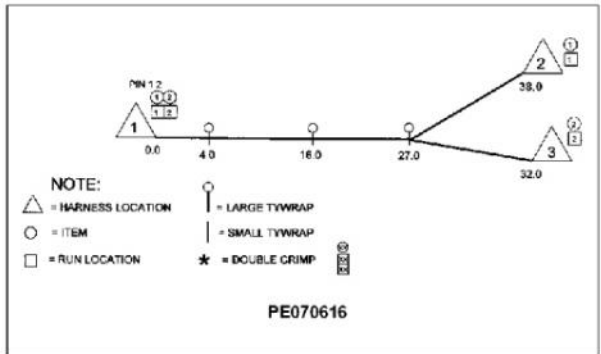
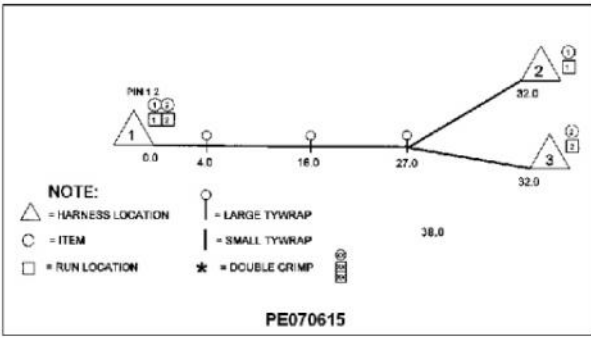
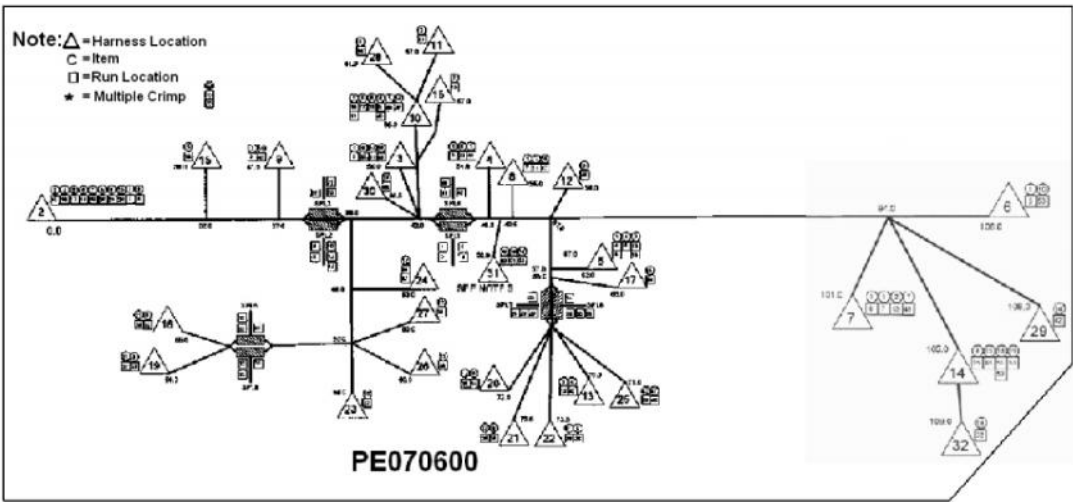
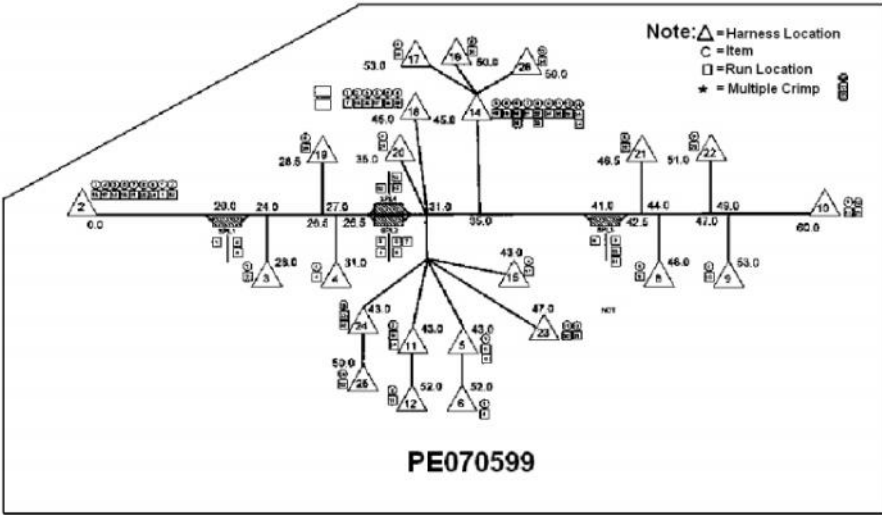


Ref #	Part Number	Qty.	Description
1	A20012911		OVEN BACK
2	A2004468		BACK AIR CHANNEL (VGSC306)
3	G3004446		COOLING FAN DUCT WELD ASSY(VGSC306)
4	G3004414		FLUE ASSY (VGSC306)
5	G3004444		BROILER FLUE WELD ASSY (VGSC306)
6	PE050026		COOLING FAN (VDSC)
7	A2004464		FLUE HEAT SHIELD (VGSC306)
8	A2004471		BACK AIR CHANNEL CENTER (VGSC306)
9	A2004480		WIRE CHANNEL LH (VGSC306)
10	A2004481		WIRE CHANNEL RH (VGSC306)
11	PE050057		CONVECTION FAN (VGSC306)
12	PJ030002		AUTO RESET (SELF-CLEAN) VDSC
13	A1002456		THERMO-DISC BRKT (VDSC)
14	PM010029		RELAY (DOUBLE POLE-DOUBLE THROW)TEM
15	PE050001		TERMINAL BOARD
16	A2004458		RELAY BRACKET (VGSC306) (2 RELAY)
17	PA020035		DSI MODULE REPL PA020027
18	PD030033		GROMMET NUT-ROUND HD. NO.8 X .500DIA.
19	A2004465		AIR CHANNEL (VGSC306)
20	PE070148		SELF-CLEAN BOARD/TIMER (VDSC)
21	PE070468		TRANSFORMER HALOGEN LIGHTS REPLACES PE070222
22	PA010139		F J T VALVE REPL PA010079
23	A20012917		TRANSFORMER BRACKET
24	PE070468		TRANSFORMER HALOGEN LIGHTS REPLACES PE070222
NI	A2002654		ANTI-TIP DEVICE (VDSC)
NI	G3204472		BACKGUARD ASSY (VGSC306)
NI	G4008493		SUPPLY CORD ASSY- VGSU



Ref #	Part Number	Qty.	Description
NI	G3202172AL		DOOR SUB-ASSY-XALX (VDSC30)
	G3202172ALBR		DOOR SUB-ASSY-XALXXBRX VDSC30
	G3202172BK		DOOR SUB-ASSY-XBKX (VDSC30)
	G3202172BKBR		DOOR SUB-ASSY-XBKXXBRX (VDSC30)
	G3202172BT		DOOR SUB-ASSY-XBTX (VDSC30)
	G3202172BTBR		DOOR SUB-ASSY-XBTXXBRX (VDSC30)
	G3202172BU		DOOR SUB-ASSY-XBUX (VDSC30)
	G3202172BUBR		DOOR SUB-ASSY-XBUXXBRX (VDSC30)
	G3202172CB		DOOR SUB-ASSY-XCBX (VDSC30)
	G3202172CBBR		DOOR SUB-ASSY-XCBXXBR VDSC30
	G3202172EP		DOOR SUB-ASSY-XEPX(VDSC30)
	G3202172EPBR		DOOR SUB-ASSY-XEPXBRX (VDSC30)
	G3202172FG		DOOR SUB-ASSY-XFGX (VDSC30)
	G3202172FGBR		DOOR SUB-ASSY-XFGXXBRX (VDSC30)
	G3202172GG		DOOR SUB-ASSY-XGGX (VDSC30)
	G3202172GGBR		DOOR SUB-ASSY-XGGX (VDSC30)
	G3202172LE		DOOR SUB-ASSY-LEX (VDSC30)
	G3202172LEBR		DOOR SUB-ASSY-XLEXXBRX (VDSC30)
	G3202172MJ		DOOR SUB-ASSY-XMJX (VDSC30)
	G3202172MJBR		DOOR SUB-ASSY-XMJXXBRX VDSC30
	G3202172SG		DOOR SUB-ASSY-XSGX (VDSC30)
	G3202172SGBR		DOOR SUB-ASSY-XSGXXBRX VDSC30
	G3202172SS		DOOR SUB-ASSY-XSSX (VDSC30)
	G3202172SSBR		DOOR SUB-ASSY-XSSXXBRX (VDSC30)
	G3202172VB		DOOR SUB-ASSY-XVBX (VDSC30)
	G3202172VBBR		DOOR SUB-ASSY-XVBXXBRX (VDSC30)
	G3202172WH		DOOR SUB-ASSY-XWHX (VDSC30)
	G3202172WHBR		DOOR SUB-ASSY-XWHXXBRX (VDSC30)
1	PE010016		NAMEPLATE, LOGO, PRO
	PE010079		4.5 LOGO/VIKING PROF, BK/BR
	PE010017		LOGO (VGSO,VEDO,VGDO,VUD) XWH/CHR
	PE010080		4.5 LOGO/VIKING PROF XWH/BR
NI	PD030006		CAPPED WASHER PAL NUT
2	PE030001		BRACKET, DOOR, HANDLE
	PE030001PVD		END CAP DOOR HANDLE XBR
NI	PD010019		BLT-1/4-20X3/8HEX WASHER SERATED
3	PE030005		DOOR HANDLE - VGSC30/RC60/RC48RH
	PE030012PVD		DOOR HANDLE - RH - (30/48) PVD
4	PE060031		J-MOLD (LARGE WINDOW)
	PE060045		J-MOLD (LARGE WINDOW) XBRX
5	B2002188		O/S DOOR PANEL XSSX (VDSC30)
	C9002188AL		O/S DOOR PANEL-XALX (VDSC30)
	C9002188BK		O/S DOOR PANEL-XBKX (VDSC30)
	C9002188BT		O/S DOOR PANEL-XBTX (VDSC30)
	C9002188BU		O/S DOOR PANEL-XBUX (VDSC30)
	C9002188CB		O/S DOOR PANEL-XCBX (VDSC30)
	C9002188EP		O/S DOOR PANEL-XEPX (VDSC30)
	C9002188FG		O/S DOOR PANEL-XFGX (VDSC30)
	C9002188GG		O/S DOOR PANEL-XGGX (VDSC30)
	C9002188LE		O/S DOOR PANEL-XLEX (VDSC30)
	C9002188MJ		O/S DOOR PANEL-XMJX (VDSC30)
	C9002188SG		O/S DOOR PANEL-XSGX (VDSC30)
	C9002188VB		O/S DOOR PANEL-XVBX (VDSC30)
	C9002188WH		O/S DOOR PANEL-XWHX (VDSC30)
NI	PD020002		10 X 1/2 PH.TR.HD.SMS.
NI	PD020014		10X3/4 PH TR HD SMS
6	J1002594		OVEN DR HEAT SINK (VDSC30)
7	A2002498		HINGE POCKET COVER RH
8	A2002499		HINGE POCKET COVER LH
9	A2002367		DOOR GLASS BRKT

Ref #	Part Number	Qty.	Description
9	A2002367		DOOR GLASS BRKT
10	PE060039		GLASS-HEAT TREATED (HB2) VDSC
11	A2002548		DOOR INSULATION RETAINER RH VDSC
12	G9102747		DR LINER ASY(VDSC30/48)REP H9102173
13	PE060064		WINDOW PACK, SELF CLEANING OVEN 30
14	G9102745		DR PG ASSY VDSC30/48 RE H9102175
NI	PB070034		INSULATION-TRS-10 1 X 20 X 3'
NI	PB070074		TRS-10 3 X 20 X 3' INSULATION (SELF-CLEAN)
NI	PB070040		FIBERGLASS ROPE
NI	PB070041		SUB TO 000623-000 - DOOR GASKET(3/8DIA.) (VDSC)



Ref #	Part Number	Qty.	Description
NI	PE070599		WIRE HARNESS - FRONT
NI	PE070600		WIRE HARNESS - REAR
NI	PE070615		HARNESS - DISCONNECT POWER (CAP) (CAP)
NI	PE070616		HARNESS - DISCONNECT POWER (PLUG) (PLUG)
NI	PE070223		WIRE HARNESS P/C BOARD
NI	G4000935		BAKE/BROIL JUMPER WIRE - VGR/VCM
NI	G4001656		SPARK MODULE GROUND WIRE
NI	G4001587		SPARK MODULE-TOP BRNR SPARKER (25) (25)
NI	G4001593		SPARK MODULE-TOP BRNR SPARKER (16) (16)
NI	G4005411		DSI BAKE JUMPER (VGSC306)
NI	G4005412		DSI BROIL JUMPER (VGSC306)