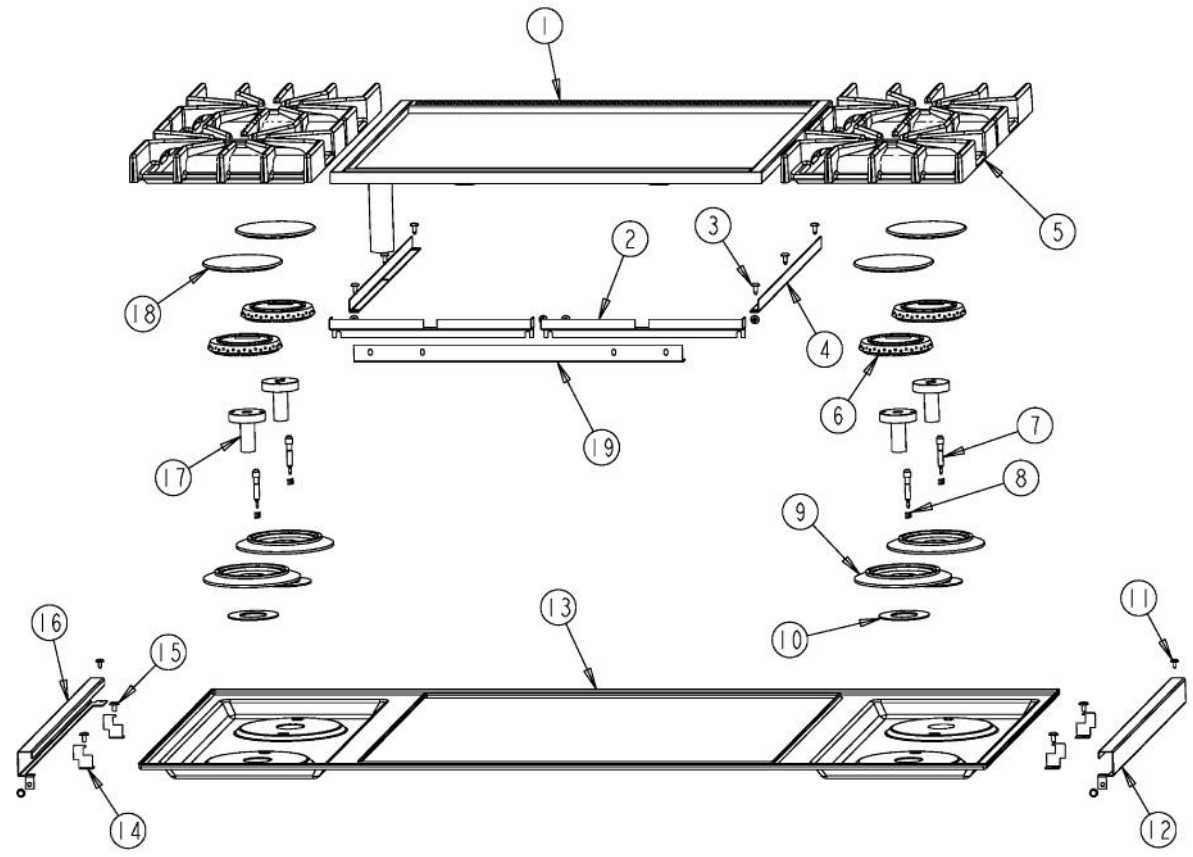
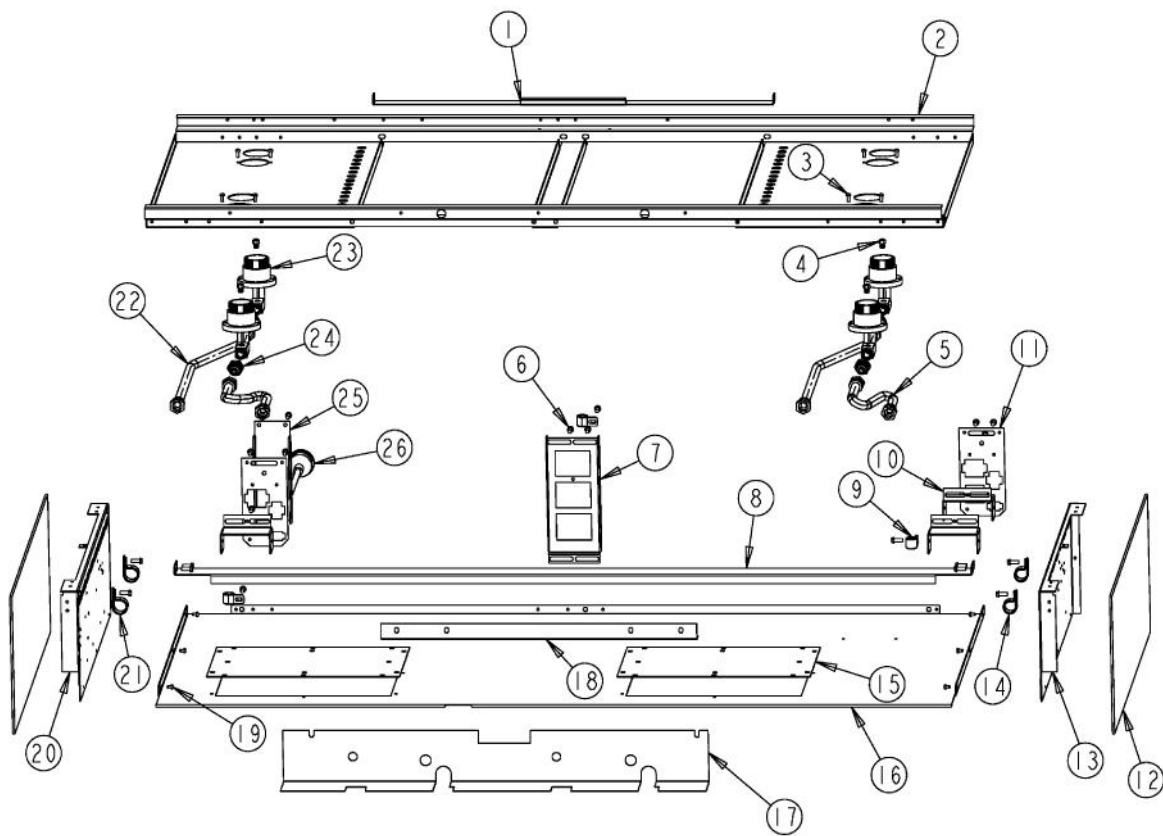


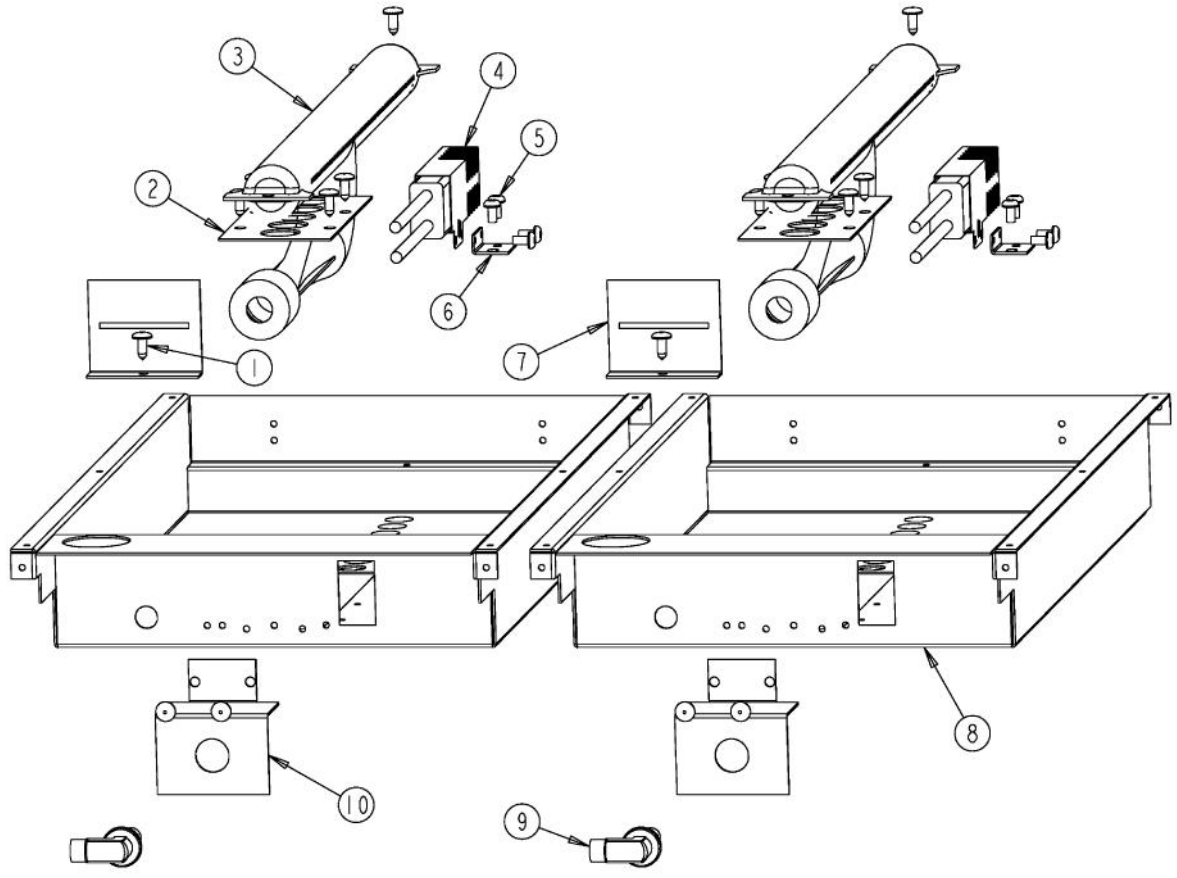
Ref #	Part Number	Qty.	Description
1	PA050115		UNIVERSAL 48 MANIFOLD
2	PA070001		PRESSURE REGULATOR (NAT.)
3	PB010035		THERMOSTAT BAKE
4	PA010012		ROPER PLUG
5	PB030007		SHUT OFF VALVE
6	PB010264		GRIDDLE THERMOSTAT
7	PJ030015		6 POS. SELECTOR SWITCH
8	PB010186		EK39 THERMOSTAT (SELF-CLEAN)
9	PA010158		SUB TO 003517-000 - SEALED BURNER FLARE VALVE
10	PA020045		IGNITOR SWITCH
11	A1001138		MANIFOLD BRKT
12	PD020002		10 X 1/2 PH.TR.HD.SMS.
13	PB070146		POLY FILM, (VDSC,VGSC)
14	PE050024		OVEN IND. LIGHT (LIGHT HOUSING)
15	PE070036		TIE WRAP
16	PD020073		SRW NO.10 X 24 X 3/8 WAFER HD TYPE23
17	PD030005		SELF RETAINING NUT
18	B9205598		VGSC4864G CONTROL PANEL
19	PD020033		SRW-NO.10-24X1/2T(23)PH.WFR HD (NKL)
20	PD020044		NO.8-32 X 1/4 PH. TR. HD. M.S.
21	PB010208		BEZEL, CHROME PLATE
	PB010209		BEZEL BRASS
22	PB010187		THERMOSTAT KNOB SELF CLEAN XBKX
	PB010188		THERMOSTAT KNOB SELF CLEAN XWHX
23	PA010080		SELECTOR KNOB SELF CLEAN XBKX
	PA010081		SELECTOR KNOB SELF CLEAN XWHX
24	PE050023		OVEN IND. LIGHT (LENS & BEZEL)
25	PB010103		GRIDDLE KNOB N/S XBKX
	PB010104		GRIDDLE KNOB N/S XWHX
26	PB010101		THERMOSTAT BAKE KNOB N/S XBKX
	PB010102		THERMOSTAT BAKE KNOB N/S XWHX
27	PB010206		VGSC,VGRC,VGRT TOP BURNER KNOB(BK)
	PB010207		VGSC,VGRC,VGRT TOP BURNER KNOB(WH)
28	PE050016		OVEN LIGHT SWITCH - XBKX (WES-GAR)
	PE050017		OVEN LIGHT SWITCH - XWHX (WES-GAR)
29	G3009843		SEALED LANDING LEDGE ASSY 48
30	PD010012		VALVE BOLT 1/4-20 UNC-2B 5/16 M.S.



Ref #	Part Number	Qty.	Description
1	G3009847		SEALED GRIDDLE ASSEMBLY
2	A2007866		GRIDDLE FLUE COVER (VGIC3674G)
3	PD020002		10 X 1/2 PH.TR.HD.SMS.
4	A20010657		GRIDDLE BOX FLANGE
5	PA060054		SEALED GRATE XBKX
	PA060062		SEALED GRATE GRAY
6	PB050063		BURNER HEAD
7	PB040264		GLAZED ELECTRODE REPLACED BY PB050081
8	PC010020		IGNITER SPRING
9	PB050062		BURNER BASE
10	PB070124		GASKET (VDSC3074B) REPLACED BY PB050081
11	PD020032		SRW-8(A)X3/8PH.WFR HD 7/16DIAXNICL
12	B20012923		SEALED SIDE TRIM RH-VGSC
	C93012923BR		SEALED SIDE TRIM RH XBRX - VGSC
13	E9109804AL		MAIN TOP ASSY - 4G (AL)
	E9109804BK		MAIN TOP (VDSC4G/4Q)
	E9109804BT		MAIN TOP ASSY - 4G (BT)
	E9109804CB		MAIN TOP ASSY - 4G (CB)
	E9109804EP		MAIN TOP ASSY - 4G (EP)
	E9109804FG		MAIN TOP ASSY - 4G (FG)
	E9109804GG		MAIN TOP ASSY - 4G (GG)
	E9109804LE		MAIN TOP ASSY - 4G (LE)
	E9109804MJ		MAIN TOP ASSY - 4G (MJ)
	E9109804SG		MAIN TOP ASSY - 4G (SG)
	E9109804VB		MAIN TOP ASSY - 4G (VB)
	E9109804WH		MAIN TOP (VDSC4G/4Q) XWHX
14	A2007858		SIDE TRIM BRKT
15	PD020033		SRW-NO.10-24X1/2T(23)PH.WFR HD (NKL)
16	B20012924		SEALED SIDE TRIM LH-VGSC
	C93012924BR		SEALED SIDE TRIM LH XBRX - VGSC
17	PA010100		VENTURI D (VDSC3074B)
18	PA080083		D BURNER CAP XMATTE BLACKX
	PA080086		D BURNER CAP XMATTE GRAYX
19	A20011241		SUPPORT BRACE

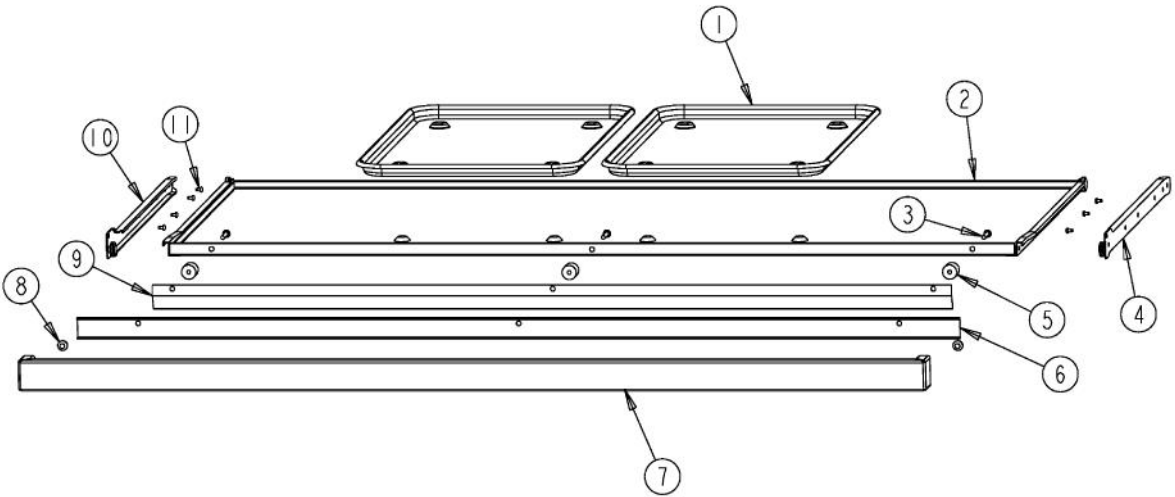


Ref #	Part Number	Qty.	Description
1	A20014425		GRIDDLE SHIELD BRACKET
2	A20010184		48 SEALED BURNER SUPPORT
3	PD020076		6-32 X 3/8 PHILL PAN MS
4	PB040194		SEALED RANGE ORIFICE (NAT)
	PB040217		L.P. ORIFICE
5	PB020192		10 FLEX TUBING W/CONNECTORS
6	PD020060		10 X 1/2 (5/16)HEX WSHR HD.(T)A
7	A20013319		SUPPORT BRACKET
8	A20014433		GAS TUBE SUPT. BRACE (VGSC487 4G & 6G)
9	PD030118		SCREW - SHLDR
10	A20013307		OUTLET COVER
11	A1002492		PLUG BRKT
12	PB070140		BOARD INSULATION 8``X24``
13	A2002544		BURNER BOX SIDE RH (VDSC48)
14	PD030119		INSULATED CLAMP
15	A1006344		DOOR LOCK ACCESS PANEL 48
16	A2002539		BURNER BOX INSULATOR SHIELD (VDSC48
17	A20010646		COMPONENT SHIELD - 48
18	A20011241		SUPPORT BRACE
19	PD020006		NO.6-32 X 1/4 PH.PAN HD. T(F)
20	A2002545		BURNER BOX SIDE LH (VDSC48)
21	PD030109		INSULATED CLAMP
22	PB020193		16 FLEX TUBING W/CONNECTORS
23	PA080075		BODY BURNER D (VDSC3074BSS)
24	PA050086		5/8 MALE FLARE FITTING
25	A20014424		TERMINAL COVER
26	G4008493		SUPPLY CORD ASSY- VGSU

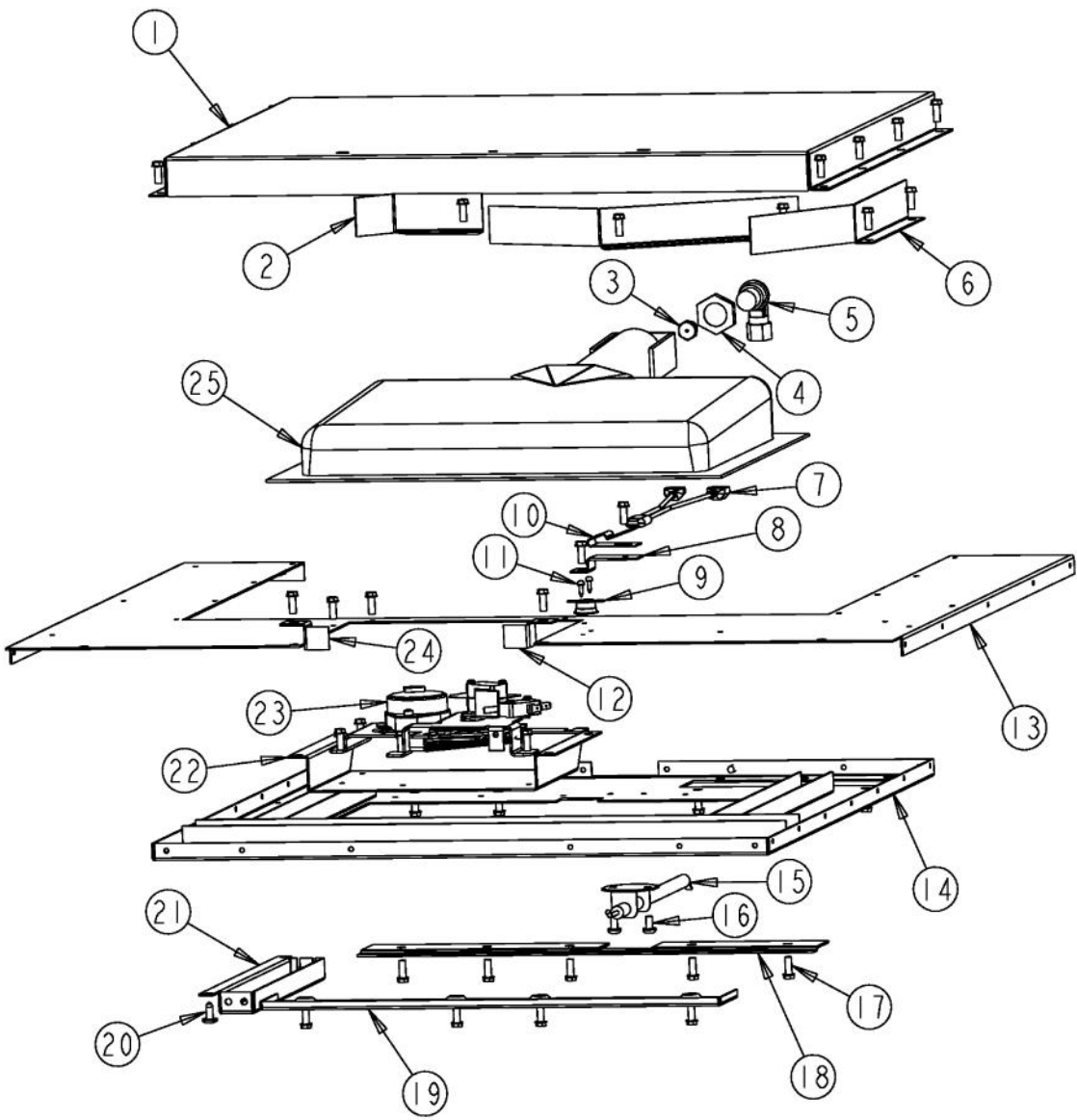


Ref #	Part Number	Qty.	Description
1	PD020002		10 X 1/2 PH.TR.HD.SMS.
2	A1007861		GRIDDLE VENTURI COVER IC36
3	PB050074		SEALED GRIDDLE BURNER
4	PB040001		IGNITOR - (ALL RANGES)
5	PD020004		10X3/8PH.HD.TYPE 25 REPL PD040125
6	A2001300		GRIDDLE IGNITOR BRKT
7	A2009580		GRIDDLE BURNER BRACKET
8	A2007862		GRIDDLE BOX (VGIC3674G)
9	PB040190		90 DEGREE ORIFICE FITTING NO.50 NAT
10	A20013326		GRIDDLE ORIFICE BRACKET

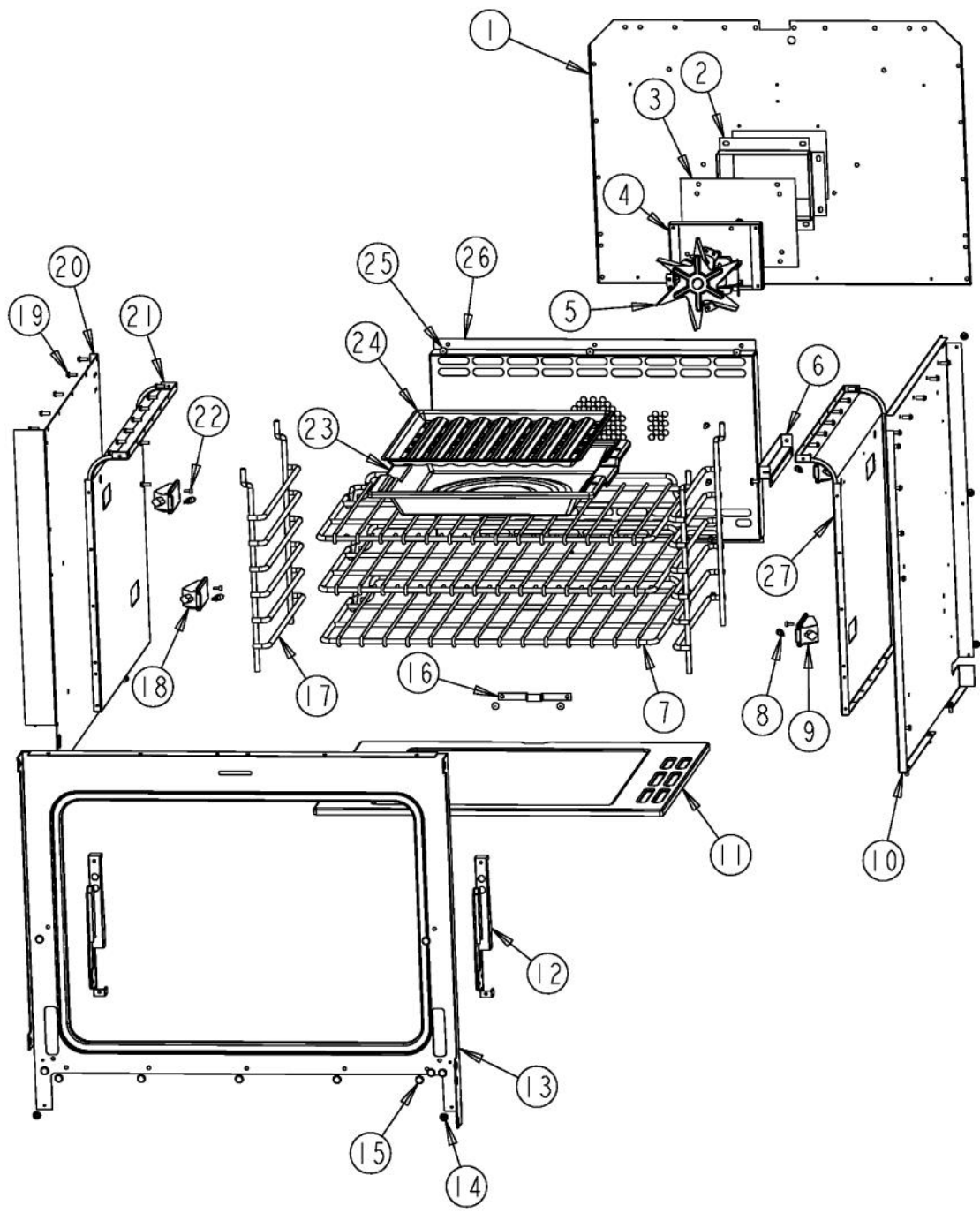




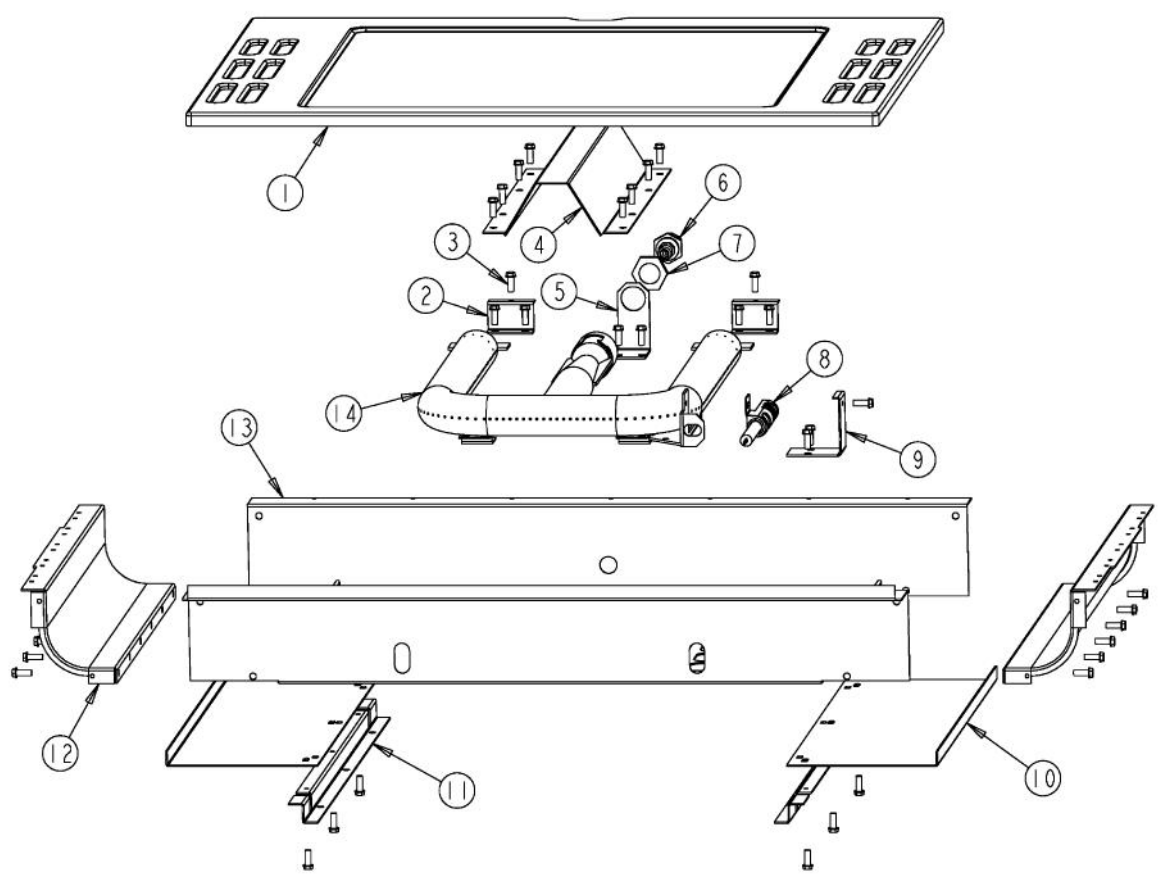
Ref #	Part Number	Qty.	Description
1	PB080061		GREASE PAN
2	G30013336		48 DRIP TRAY ASSY. 6Q &4GQ
3	PD020079		NO.10 X 1 1/4 PH. PAN HD. T(A) NYLOK
4	PK000008		DRIP TRAY GUIDE - RH
5	PD040028		BUSHING(.194ID/.750OD/.750LONG)
6	A20010693		DRIP TRAY HANDLE BACK 48
7	G30010697		DRIP TRAY HANDLE ASSY 48
	G93011461PVD		DRIP TRAY HANDLE ASSY 48 PVD
8	PD040004		GROMMET BUMPER
9	B20010152		DRIP TRAY SHIELD, 48
10	PK000007		DRIP TRAY GUIDE - LH (VGRT)
11	PD020006		NO.6-32 X 1/4 PH.PAN HD. T(F)



Ref #	Part Number	Qty.	Description
1	A2005561		TOP INSULATION BOX
2	A20013315		TOP AIR BAFFLE
3	PB040040		ORIFICE-IR BURNER (VGSC)
	PB040027		IR BUR.SPUD ORF. - NO.56 LP
4	PD030018		PALNUT - 3/4-16
5	PB040178		90 DEGREE ORIFICE FITTING (VGSC306)
6	A2005548		TOP AIR DIVERTER
7	PE050059		HI-LIMIT SWITCH
8	A2005676		VGSC HIGH LIMIT BRACKET
9	PJ030006		SWITCH (COOLING FAN)
10	PD030062		.250 HI-LIMIT SWITCH CLAMP(VGSC306)
11	PD020013		TYPE AB NO.6 X 3/8 PH PAN HD. SMS
12	A20012914		DOOR GASKET BRACKET RH
13	A2005580		TOP INSULATION RETAINER RH
14	G9104440		OVEN TOP WELD ASSY (VGSC306)
15	PB040171		BROIL IGNITION ELECTRODE
16	PD020004		10X3/8PH.HD.TYPE 25 REPL PD040125
17	PD020060		10 X 1/2 (5/16)HEX WSHER HD.(T)A
18	B2005589		REAR BROILER BRACKET
19	B2001448		IR BROIL SUPT (FRONT)
20	PD020002		10 X 1/2 PH.TR.HD.SMS.
21	A2004411		AUTO RESET SHIELD (VGSC306)
22	A2004423		DOOR LOCK BOX (VGSC306)
23	PE050053		DR LATCH REPL PE050020
24	A20012913		DOOR GASKET BRACKET LH
25	G3001876		IR BURNER ASSY (VGSC/RC) N/S

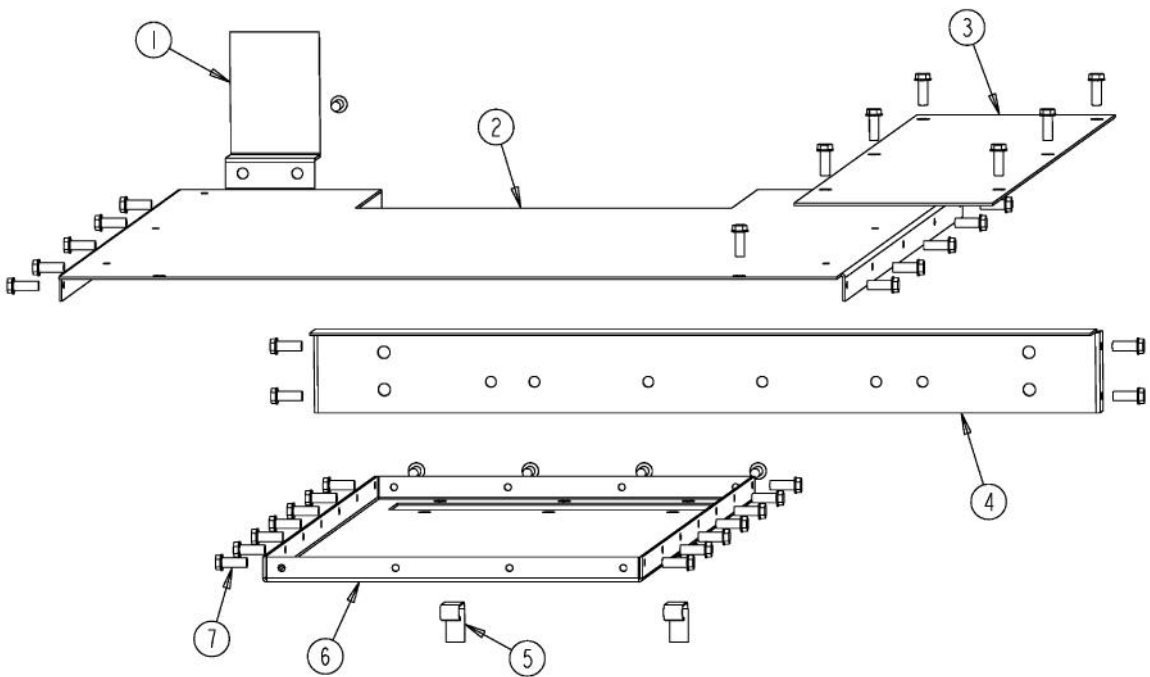


Ref #	Part Number	Qty.	Description
1	E9104405		OVEN BACK (VGSC306)
2	A2008467		INSULATION SHIELD
3	A1002596		CONVECTION FAN COVER (VDSC)
4	A2002595		CONVECTION FAN BOX (VDSC)
5	PE050057		CONVECTION FAN (VGSC306)
6	A2004430		THERMAL BULB SHIELD (VGSC306)
7	PB060044		OVEN RK VDSC30/48RH REPL PB060019
8	PE050251		120V 25W HALOGEN APPLIANCE BULB
9	PE050148		OVEN LIGHT ASSY. W/32 CABLE INCLUDES BULB
10	A2005549		OVEN SIDE INSUL RETAINER R.H.
11	G9104438		OVEN BOTTOM PAN ASSY (VGSC306)
NI	A2004439	1	OVEN BOTTOM SHIELD (VGSC306)
12	PC020003		HINGE ASSY (BLUE)
13	G9102521		FRONT FRAME ASSY RH (VDSC48)
14	PD020073		SRW NO.10 X 24 X 3/8 WAFER HD TYPE23
15	PD020033		SRW-NO.10-24X1/2T(23)PH.WFR HD (NKL)
16	A2004428		REAR BOTTOM BRCKT (VGSC306)
17	PB060030		RACK SUPT REPL PB060010
18	PE050056		OVEN LIGHT ASSY 12V/5W INCLUDES BULB
19	PD020060		10 X 1/2 (5/16)HEX WSHR HD.(T)A
20	A2005677		OVEN SIDE INSULATION RETAINER RH
21	G9104453		OVEN SIDE ENAMELED ASSY (VGSC306)
22	PD020067		NO.6 X 3/8 PAN PHIL. TEK SS
23	E9107933		BROILER PAN
24	E9107934		BROILER PAN INSERT
25	PD020002		10 X 1/2 PH.TR.HD.SMS.
26	G9104482		CONVECTION FAN COVER ASSY (VGSC306)
27	G9104491		OVEN TANK WELD ASSY. R.H.

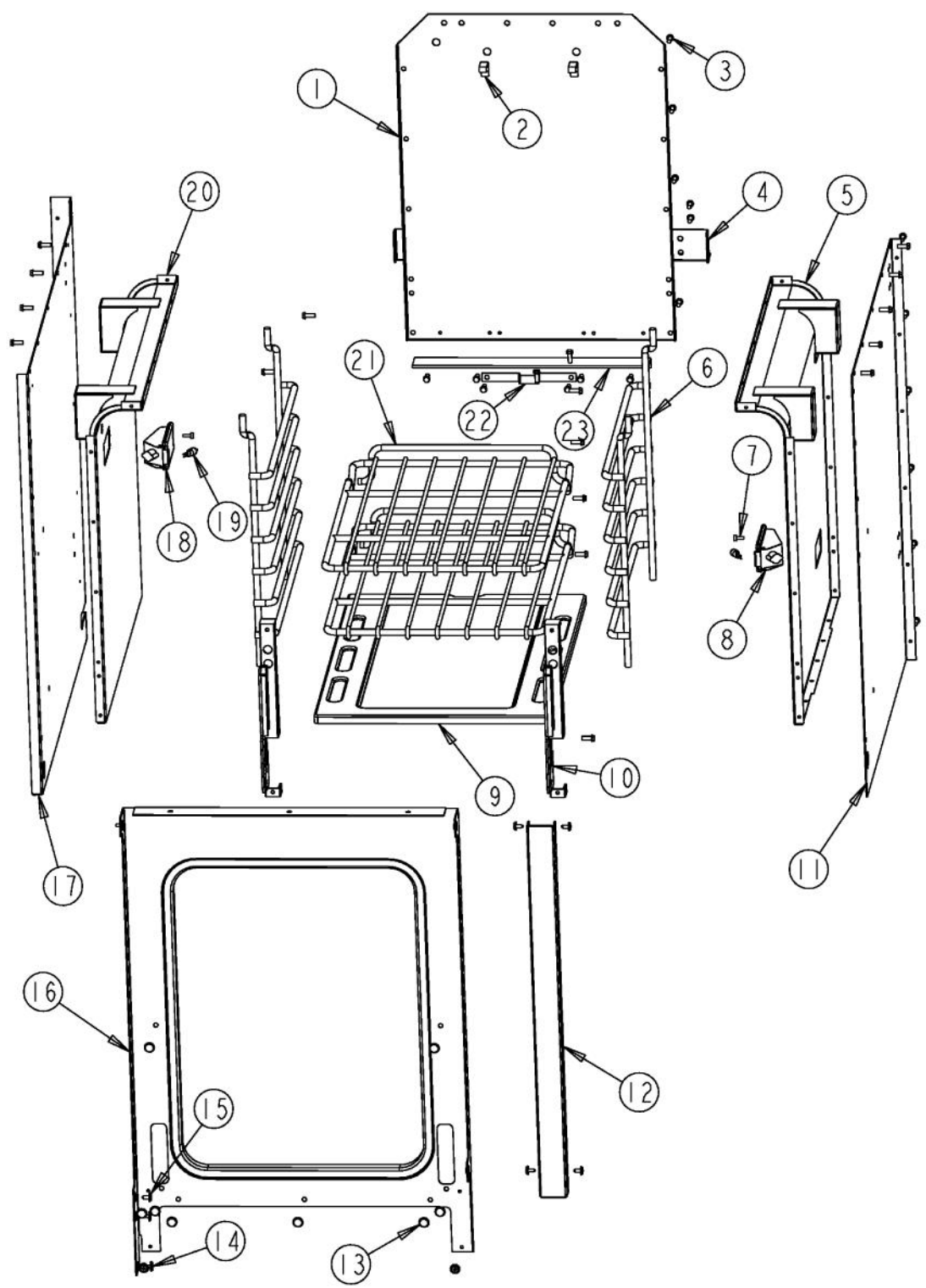


Ref #	Part Number	Qty.	Description
1	G9104438		OVEN BOTTOM PAN ASSY (VGSC306)
NI	A2004439	1	OVEN BOTTOM SHIELD (VGSC306)
2	B2004415		BURNER BRACKET (VGSC306)
3	PD020060		10 X 1/2 (5/16)HEX WSHER HD.(T)A
4	A2004424		BURNER COVER (VGSC306)
5	A2004434		ORIFICE BRACKET (VGSC306)
6	PB040265		BULKHEAD ORIFICE FITTING
	PB040246		SUB TO PB040035 - NO.51 ORIFICE HOOD
7	PD030018		PALNUT - 3/4-16
8	PB040170		BAKE IGNITION ELECTRODE
9	A2004452		BOTTOM IGINATION BRACKET (VGSC306)
10	A20013316		CAVITY BOTTOM EXTENSION
11	A2004429		OVEN BOTTOM INSUL. BRACE (VGSC306)
12	E2104427		BURNER BOX SIDE RH (VGSC306)
13	A20010137		30 CAVITY BOTTOM/48 RH BOTTOM
14	PB050059		BAKE BURNER - NATURAL GAS

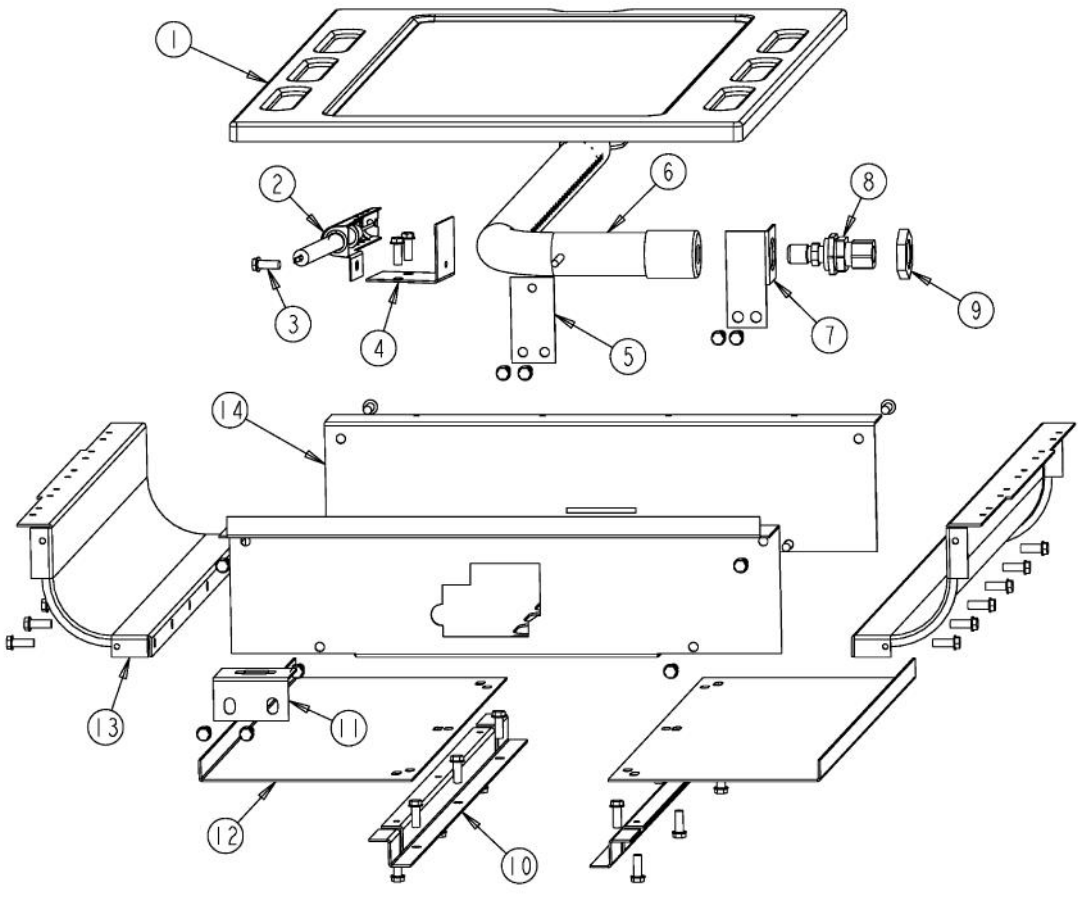




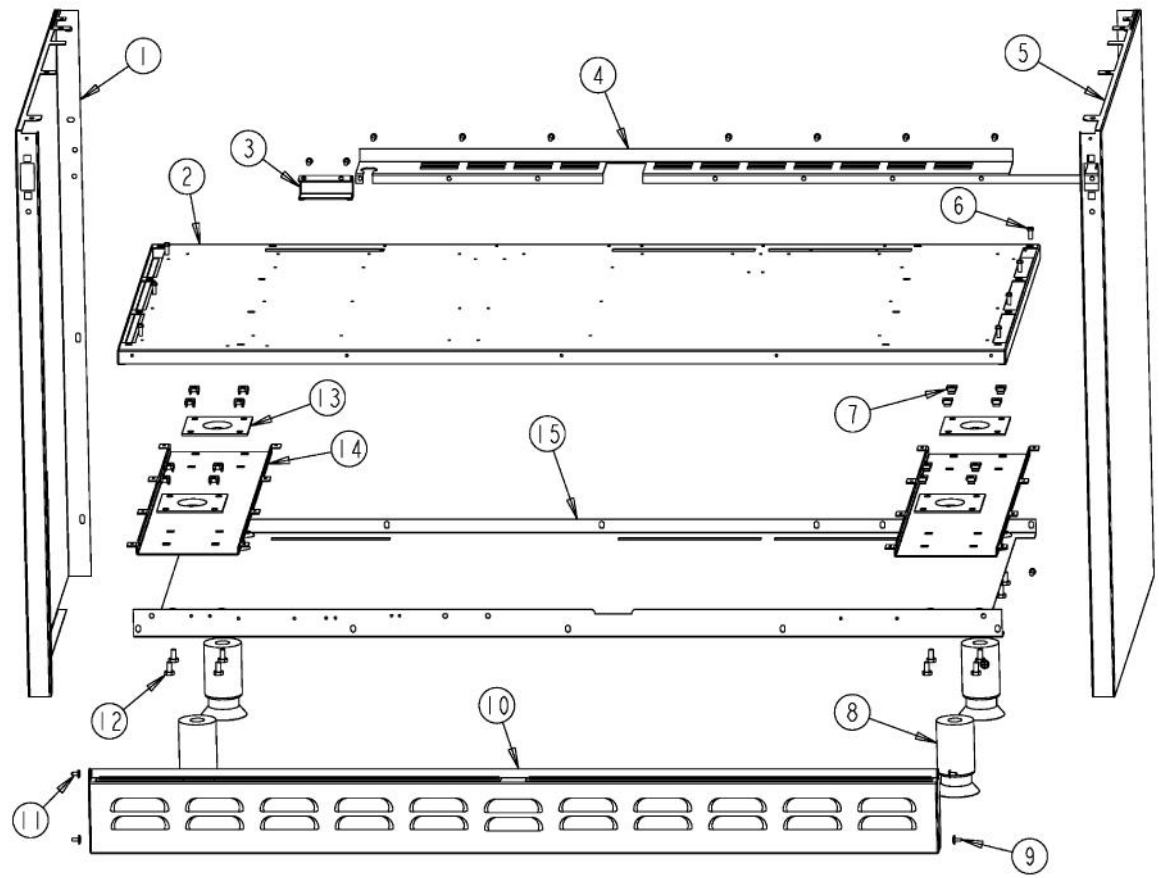
Ref #	Part Number	Qty.	Description
1	A20013318		AIR GUIDE BRACKET
2	A2005560		OVEN TOP INSULATION RETAINER 48LH
3	A1005678		CENTER AIR DIVERTER
4	A2005576		REAR OVEN SUPPORT 48LH
5	PD030031		THERMAL BULB CLIP - .250
6	E9105566		OVEN TOP 48LH
7	PD020060		10 X 1/2 (5/16)HEX WSHR HD.(T)A



Ref #	Part Number	Qty.	Description
1	E9105572		OVEN BACK 48LH
2	PD030031		THERMAL BULB CLIP - .250
3	PD020060		10 X 1/2 (5/16)HEX WSHR HD.(T)A
4	A2005576		REAR OVEN SUPPOT 48LH
5	G9105564		OVEN SIDE ASSY RH 48LH
6	PB060030		RACK SUPT REPL PB060010
7	PD020067		NO.6 X 3/8 PAN PHIL. TEK SS
8	PE050056		OVEN LIGHT ASSY 12V/5W INC. BULB
9	G3205588		OVEN BOTTOM PAN ASSY 48LH
10	PC020009		HINGE ASSY (BROWN)
11	A2005577		OVEN SIDE INSULATION RETAINER LH
12	B2005683		CENTER TRIM
	C9005683AL		CENTER TRIM XALX
	C9005683BK		CENTER TRIM XBKX
	C9005683BT		CENTER TRIM XBTX
	C9005683BU		CENTER TRIM XBUX
	C9005683CB		CENTER TRIM XCBX
	C9005683EP		CENTER TRIM XEPX
	C9005683FG		CENTER TRIM XFGX
	C9005683GG		CENTER TRIM XGGX
	C9005683LE		CENTER TRIM XLEX
	C9005683MJ		CENTER TRIM XMJX
	C9005683SG		CENTER TRIM XSGX
	C9005683VB		CENTER TRIM XVBX
	C9005683WH		CENTER TRIM XWHX
13	PD020033		SRW-NO.10-24X1/2T(23)PH.WFR HD (NKL)
14	PD020073		SRW NO.10 X 24 X 3/8 WAFER HD TYPE23
15	PD020032		SRW-8(A)X3/8PH.WFR HD 7/16DIAXNICL
16	G9105574		OVEN FRONT FRAME ASSY 48LH
17	A2005550		OVEN SIDE INSUL RETAINER
18	PE050148		OVEN LIGHT ASSY. W/32 CABLE INC. BULB
19	PE050251		120V 25W HALOGEN APPLIANCE BULB
20	G9105565		OVEN SIDE ASSY LH 48LH
21	PB060046		OVEN RK VDSC48-LH REPL PB060023
22	A2004428		REAR BOTTOM BRCKT (VGSC306)
23	031445-403		BRACE, OVEN, BOTTOM, BACK

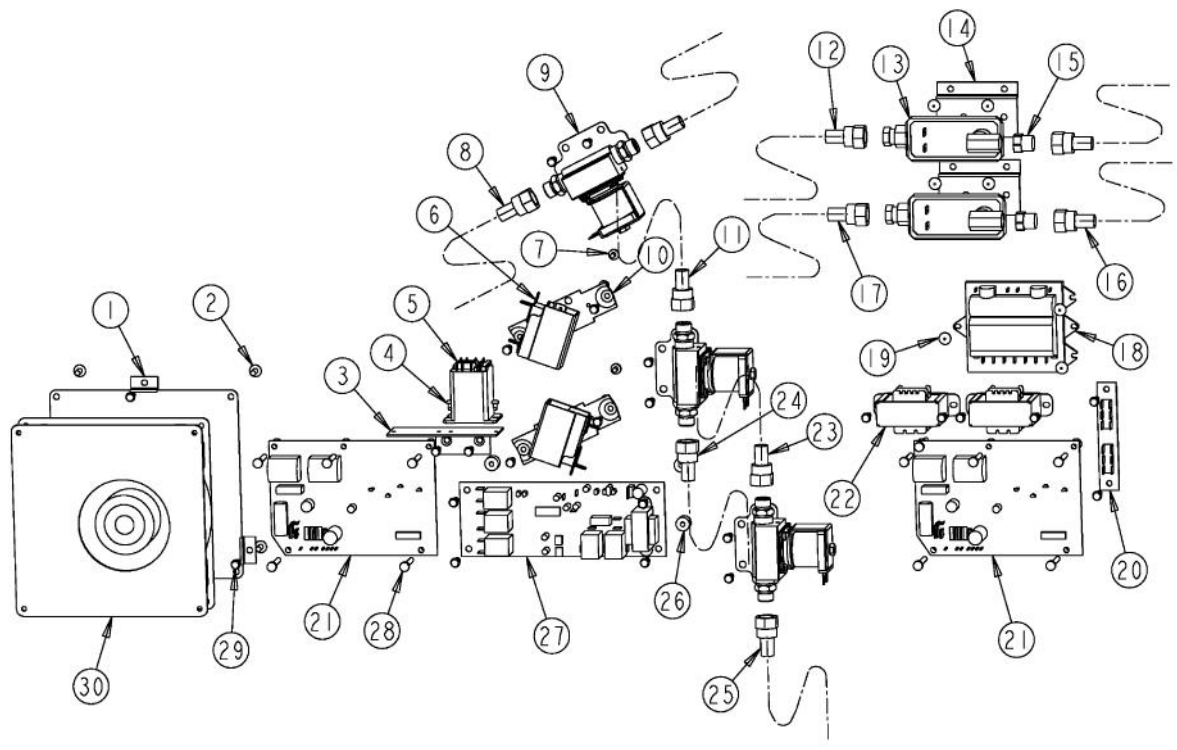


Ref #	Part Number	Qty.	Description
1	G3205588		OVEN BOTTOM PAN ASSY 48LH
2	PB040170		BAKE IGNITION ELECTRODE
3	PD020060		10 X 1/2 (5/16)HEX WSHR HD.(T)A
4	A2005665		LH IGNITOR BRACKET
5	A1005571		BURNER MOUNTING BRACKET
6	PB050065		BAKE BURNER - LH OVEN (UNITS BUILT BEFORE 08-31-2006)
NI	PB050080		VGSC486 LH OVEN BURNER (UNITS BUILT ON OR AFTER 08-31-2006)
NI	A2005665		LH IGNITOR BRACKET (UNITS BUILT BEFORE 08-30-2006)
7	A2005579		ORIFICE BRACKET 48LH
8	PB040229		BULKHEAD FITTING (VGSC486LH)
	PB040237		SUB TO PB040062 - NO.56 ORIFICE HOOD
9	PD030018		PALNUT - 3/4-16
10	A2004429		OVEN BOTTOM INSUL. BRACE (VGSC306)
11	A20012922		DISCONNECT POWER BRACKET
12	A20013316		CAVITY BOTTOM EXTENSION
13	E2104427		BURNER BOX SIDE RH (VGSC306)
14	A20010139		48 LH CAVITY BOTTOM

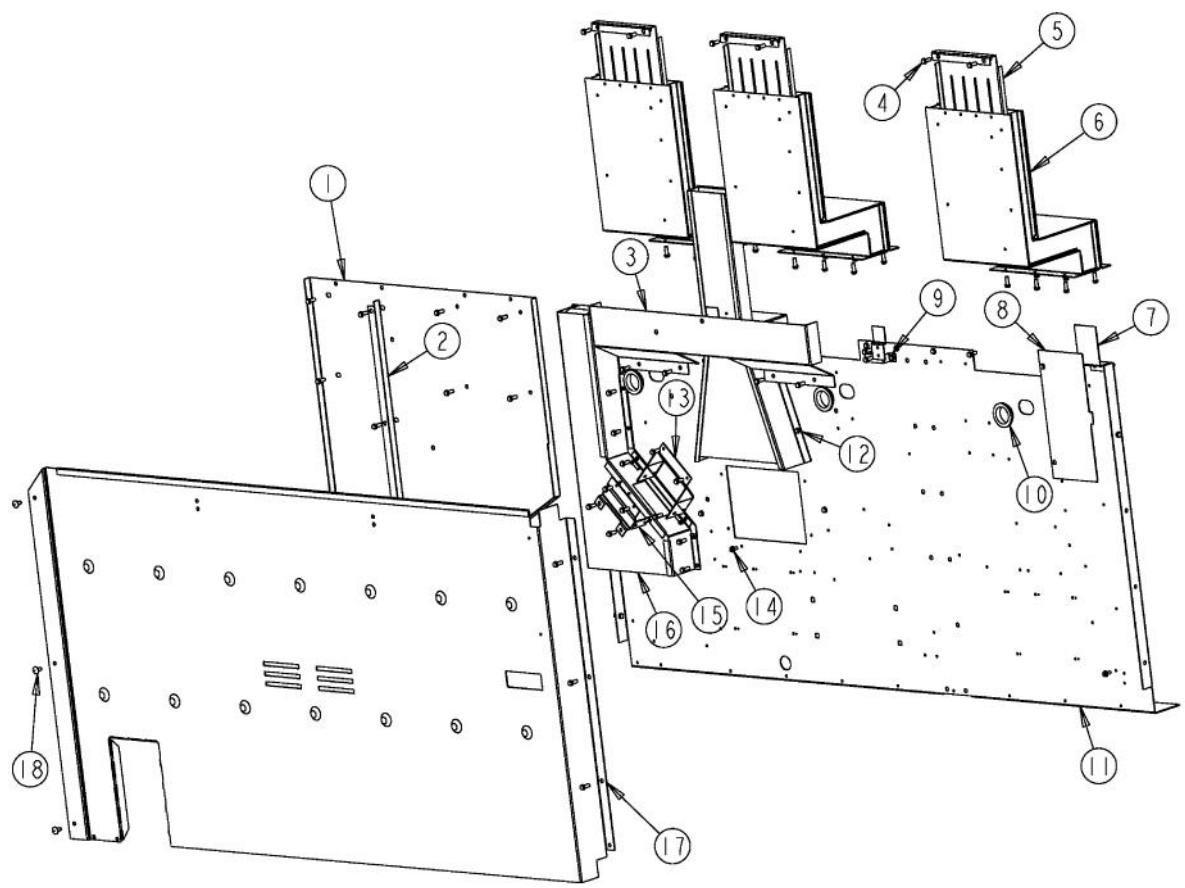


Ref #	Part Number	Qty.	Description
1	B20010180		O/S BODY PANEL - LH
	C90010180AL		SIDE PANEL LH XALX
	C90010180BK		SIDE PANEL LH XBKX
	C90010180BT		SIDE PANEL LH XBTX
	C90010180BU		SIDE PANEL LH XBUX
	C90010180CB		SIDE PANEL LH XCBX
	C90010180EP		SIDE PANEL LH XEPX
	C90010180FG		SIDE PANEL LH XFGX
	C90010180GG		SIDE PANEL LH XGGX
	C90010180LE		SIDE PANEL LH XLEX
	C90010180MJ		SIDE PANEL LH XMJX
	C90010180SG		SIDE PANEL LH XSGX
	C90010180VB		SIDE PANEL LH XVBX
	C90010180WH		SIDE PANEL LH XWHX
2	A2002501		BTM INSULATION SHIELD (VDSC48)
3	A2004481		WIRE CHANNEL RH (VGSC306)
4	A2005584		O/S OVEN BACK BOTTOM
5	B20010179		O/S BODY PANEL - RH
	C90010179AL		SIDE PANEL RH XALX
	C90010179BK		SIDE PANEL RH XBKX
	C90010179BT		SIDE PANEL RH XBTX
	C90010179BU		SIDE PANEL RH XBUX
	C90010179CB		SIDE PANEL RH XCBX
	C90010179EP		SIDE PANEL RH XEPX
	C90010179FG		SIDE PANEL RH XFGX
	C90010179GG		SIDE PANEL RH XGGX
	C90010179LE		SIDE PANEL RH XLEX
	C90010179MJ		SIDE PANEL RH XMJX
	C90010179SG		SIDE PANEL RH XSGX
	C90010179VB		SIDE PANEL RH XVBX
	C90010179WH		SIDE PANEL RH XWHX
6	PD020060		10 X 1/2 (5/16)HEX WSHER HD.(T)A
7	PD030029		SELF RETAINING NUT (1/4-20)
8	PC030017		4 LEG ASSY
9	PD020073		SRW NO.10 X 24 X 3/8 WAFER HD TYPE23
10	B2001241		LWR ACC. PNL - RPLCS B2001973
	C9001241AL		LWR ACC PNL - RPLCS C9001973AL
	C9001241BK		LWR ACC PNL - RPLCS C9001973BK
	C9001241BT		LWR ACC PNL - RPLCS C9001973BT
	C9001241BU		LWR ACC PNL - RPLCS C9001973BU
	C9001241CB		LWR ACC PNL - RPLCS C9001973CB
	C9001241EP		LWR ACC PNL - RPCLS C9001973EP
	C9001241FG		LWR ACC PNL - RPLCS C9001973FG
	C9001241GG		LWR ACC PNL - RPLCS C9001973GG
	C9001241LE		LWR ACC PNL - RPLCS C9001973LE
	C9001241MJ		LWR ACC PNL - RPLCS C9001973MJ
	C9001241SG		LWR ACC PNL - RPLCS C9001973SG
	C9001241VB		LWR ACC PNL - RPLCS C9001973VB
	C9001241WH		LWR ACC PNL - RPLCS C9001973WH
11	PD020032		SRW-8(A)X3/8PH.WFR HD 7/16DIAXNICL
12	PD010006		HEX HD. BOLT - 1/4-20 X 1/2
13	PC030007		LEG PLATE - 3/4 THREADED HOLE
14	A2002482		LEG BRACE (VDSC)
15	A2002500		MAIN BTM (VDSC485)
NI	019503-000	1	48 CURB BASE KIT

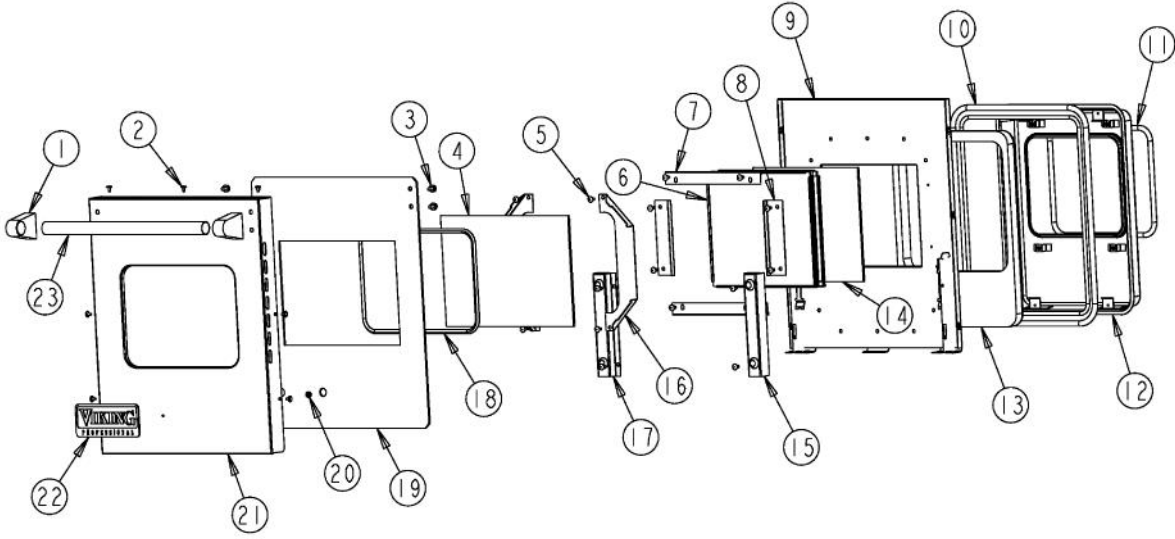




Ref #	Part Number	Qty.	Description
1	A2005414		COOLING FAN BRACKET
2	PD010003		10-24 X 1/2 PH.TR.HD.SERD.M.S.
3	A2004458		RELAY BRACKET (VGSC306) (2 RELAY)
4	PD020006		NO.6-32 X 1/4 PH.PAN HD. T(F)
5	PM010029		RELAY (DOUBLE POLE-DOUBLE THROW)TEM
6	PJ030002		AUTO RESET (SELF-CLEAN) VDSC
7	PD020044		NO.8-32 X 1/4 PH. TR. HD. M.S.
8	PB020126		3/8`` S.S. FLEX TUBING 15`` (DGCU)
9	PA010139		F J T VALVE REPL PA010079
10	A1002456		THERMO-DISC BRKT (VDSC)
11	PB020136		44 3/8 S.S. FLEX TUBING T6-44
12	PB020135		FLEX TUBING 34
13	PB010083		SINGLE THERMAL VALVE LH (OVEN)
14	A2005545		GRIDDLE VALVE BRACKET
15	PB040050		3/8CC MALE COMP. FITTING W/FERRULE
16	PB020112		3/8 SS FLEX TUBING - 36 T6-36
17	PB020216		3/8 S.S. FLEX TUBING 41
18	PA020047		INVENSYS 0+4 RE-IGNITION SPARK MODULE
19	PD020002		10 X 1/2 PH.TR.HD.SMS.
20	PE050001		TERMINAL BOARD
21	PA020035		DSI MODULE REPL PA020027
22	PE070468		TRANSFORMER HALOGEN LIGHTS REPLACES PE070222
23	PB020113		3/8 SS FLEX TUBING - 52 T6-52
24	PB020127		3/8`` S.S. FLEX TUBING 20`` (DGCU)
25	PB020111		3/8 SS FLEX TUBING - 27 T6-27
26	PD030033		GROMMET NUT-ROUND HD. NO.8 X .500DIA.
27	PE070148		SELF-CLEAN BOARD/TIMER (VDSC)
28	PD020053		NO.8 X 1 1/2 HEX WASHER HEAD SMS(VERT
29	PD020060		10 X 1/2 (5/16)HEX WSHER HD.(T)A
30	PE050026		COOLING FAN (VDSC)

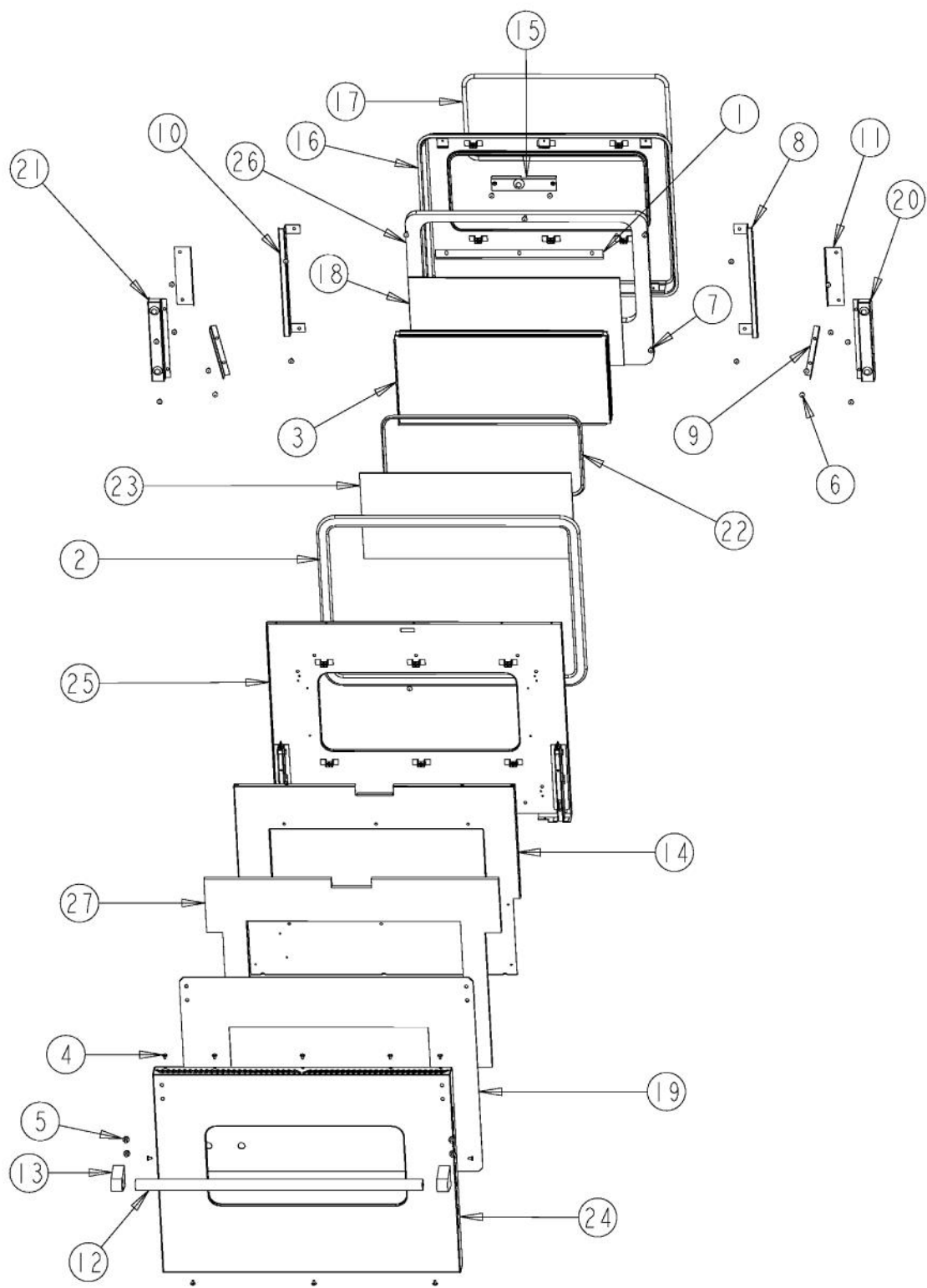


Ref #	Part Number	Qty.	Description
1	A2004468		BACK AIR CHANNEL (VGSC306)
2	A2005685		48 BACK AIR DEFLECTOR
3	A2004464		FLUE HEAT SHIELD (VGSC306)
4	PD020060		10 X 1/2 (5/16)HEX WSHER HD.(T)A
5	E20013325		BAFFLE
6	G3004414		FLUE ASSY (VGSC306)
7	A20013318		AIR GUIDE BRACKET
8	A1005686		48 GAS SLOT PROTECTOR
9	A2005582		TUBING STRAP
10	PB070079		SILICONE EXTRUSION (DGSU)
11	A2005578		O/S OVEN BACK 48
12	G3004444		BROILER FLUE WELD ASSY (VGSC306)
13	A2004470		AIR CHANNEL BACK (VGSC306)
14	PD020010		10 X 3/8 GREEN GROUNDING SCREW
15	A2004469		COOLING FAN DUCT AIR COVER(VGSC306)
16	G3005680		COOLING FAN DUCT ASSY
17	A2005583		48 REAR COVER
18	PD020002		10 X 1/2 PH.TR.HD.SMS.



Ref #	Part Number	Qty.	Description
1	PE030001		BRACKET, DOOR, HANDLE
	PE030001PVD		END CAP DOOR HANDLE XBR
2	PD020032		SRW-8(A)X3/8PH.WFR HD 7/16DIAXNICL
3	PD010019		BLT-1/4-20X3/8HEX WASHER SERATED
4	PE060049		GLASS LH XTEX DF48DOOR
5	PD020002		10 X 1/2 PH.TR.HD.SMS.
6	PE060062		WINDOW PACK, SELF CLEANING OVEN
7	A2007942		GLASSPACK BRACKET, MEDIUM
8	A2002189		DOOR GLASS STANDOFF (VDSC)
9	H9105672		OVEN DR LINER ASSY LH (VGSC48)
10	PB070041		SUB TO 000623-000 - DOOR GASKET(3/8DIA.) (VDSC)
11	PB070150		FIBERGLASS ROPE, 3/8 DIA.
12	H9102507		DOOR PLUG ASSY LH (VDSC48)
13	PB070076		WOOL INSULATION 1 X 21 X 3'
14	PE060032		GLASS (HEAT BARRIER) LH DF48DOOR
15	A2002498		HINGE POCKET COVER RH
16	E9102668		WINDOW BRKT (O/S DOOR GLASS)
17	A2002499		HINGE POCKET COVER LH
18	PE060046		J-MOLD LH SS (DF48 DOOR)
	PE060048		J-MOLD LH XBRX (DF48 DOOR)
19	J1002506		OVEN DR HEAT SINK LH (VDSC48)
20	PD030006		CAPPED WASHER PAL NUT
21	B2002504		O/S DOOR PANEL LH XSSX (VDSC48)
	C9002504AL		O/S DOOR PANEL-LH XALX (VDSC48)
	C9002504BK		O/S DOOR PANEL-LH XBKX (VDSC48)
	C9002504BT		O/S DOOR PANEL-LH XBTX (VDSC48)
	C9002504BU		O/S DOOR PANEL-LH XBUX (VDSC48)
	C9002504CB		O/S DOOR PANEL-LH XCBX (VDSC48)
	C9002504EP		O/S DOOR PANEL-LH XEPX (VDSC48)
	C9002504FG		O/S DOOR PANEL-LH XFGX (VDSC48)
	C9002504GG		O/S DOOR PANEL-LH XGGX (VDSC48)
	C9002504LE		O/S DOOR PANEL-LH XLEX (VDSC48)
	C9002504MJ		O/S DOOR PANEL-LH XMJX (VDSC48)
	C9002504SG		O/S DOOR PANEL-SG XSGX (VDSC48)
	C9002504VB		O/S DOOR PANEL-LHXVBX (VDSC48)
	C9002504WH		O/S DOOR PANEL-LH XWHX (VDSC48)
22	PE010030		LOGO, 6, PRO, BK
	PE010031		LOGO 6 (VGRC) XBK/WHX
	PE010068		LOGO, 6, PRO, BK/BR
	PE010076		LOGO 6 (VGRC) XBR/WHX
23	PE030008		DOOR HANDLE - LH 48VGRC
	PE030014		HANDLE - BR
NI	G3205671AL		DOOR ASSY XALX (VGSC486 LH)
	G3205671ALBR		DOOR ASSY XALBRX (VGSC486 LH)
	G3205671BK		DOOR ASSY XBKX VGSC486 LH
	G3205671BKBR		DOOR ASSY XBKXBR VGSC486 LH
	G3205671BT		DOOR ASSY XBTX VGSC486 LH
	G3205671BTBR		DOOR ASSY XBTBRX VGSC486 LH
	G3205671BU		DOOR ASSY XBUX VGSC486 LH
	G3205671BUBR		DOOR ASSY XBUBRX VGSC486 LH
	G3205671CB		DOOR ASSY XCBX (VGSC486 LH)
	G3205671CBBR		DOOR ASSY XCBBRX (VGSC486 LH)
	G3205671EP		DOOR ASSY XEPX (VGSC486 LH)
	G3205671EPBR		DOOR ASSY XEPBRX (VGSC486 LH)
	G3205671FG		DOOR ASSY XFGX (VGSC486 LH)
	G3205671FGBR		DOOR ASSY XFGBRX (VGSC486 LH)
	G3205671GG		DOOR ASSY XGGX (VGSC486 LH)
	G3205671GGBR		DOOR ASSY XGGBRX (VGSC486 LH)
	G3205671LE		DOOR ASSY XLEX (VGSC486 LH)
	G3205671LEBR		DOOR ASSY XLEBRX (VGSC486 LH)

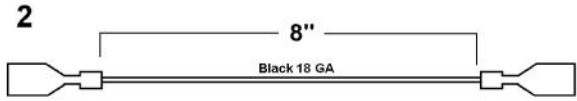
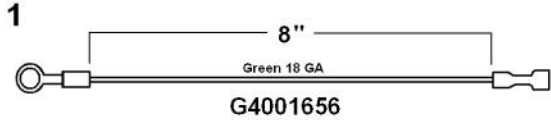
Ref #	Part Number	Qty.	Description
	G3205671LEBR		DOOR ASSY XLEBRX (VGSC486 LH)
	G3205671MJ		DOOR ASSY XMJX (VGSC486 LH)
	G3205671MJBR		DOOR ASSY XMJBRX (VGSC486 LH)
	G3205671SG		DOOR ASSY XSGX (VGSC486 LH)
	G3205671SGBR		DOOR ASSY XSGBRX (VGSC486 LH)
	G3205671SS		DOOR ASSY XSSX (VGSC486 LH)
	G3205671SSBR		DOOR ASSY XSSBRX (VGSC486 LH)
	G3205671VB		DOOR ASSY XVBX (VGSC486 LH)
	G3205671VBBR		DOOR ASSY XVBBRX (VGSC486 LH)
	G3205671WH		DOOR ASSY XWHX (VGSC486 LH)
	G3205671WHBR		DOOR ASSY XWHBRX (VGSC486 LH)





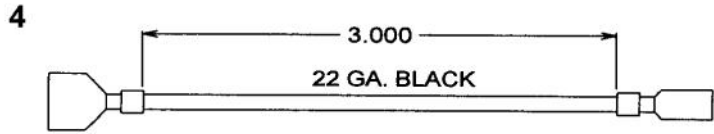
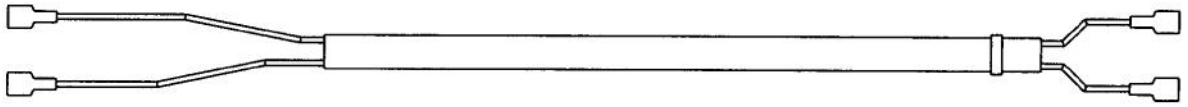
Ref #	Part Number	Qty.	Description
1	PE030005		DOOR HANDLE - VGSC30/RC60/RC48RH
	PE030012PVD		DOOR HANDLE - RH - (30/48) PVD
2	PE030001		BRACKET, DOOR, HANDLE
	PE030001PVD		END CAP DOOR HANDLE XBR
3	B2002528		O/S DOOR PANEL RH XSSX (VDSC48)
	C9002528AL		O/S DOOR PANEL-RH XALX (VDSC48)
	C9002528BK		O/S DOOR PANEL-RH XBKX (VDSC48)
	C9002528BT		O/S DOOR PANEL-RH XBTX (VDSC48)
	C9002528BU		O/S DOOR PANEL-RH XBUX (VDSC48)
	C9002528CB		O/S DOOR PANEL-RH XCBX (VDSC48)
	C9002528EP		O/S DOOR PANEL-RH XEPX (VDSC48)
	C9002528FG		O/S DOOR PANEL-RH XFGX (VDSC48)
	C9002528GG		O/S DOOR PANEL-RH XGGX (VDSC48)
	C9002528LE		O/S DOOR PANEL-RH XLEX (VDSC48)
	C9002528MJ		O/S DOOR PANEL-RH XMJX (VDSC48)
	C9002528SG		O/S DOOR PANEL-RH XSGX (VDSC48)
	C9002528VB		O/S DOOR PANEL-RH XVBX (VDSC48)
	C9002528WH		O/S DOOR PANEL-RH XWHX (VDSC48)
4	PD010019		BLT-1/4-20X3/8HEX WASHER SERATED
5	PE060030		GLASS-OUTER DOOR BK SCREENED,TEMP
6	A2002169		DOOR INSULATION RETAINER (VDSC30)
7	A2002367		DOOR GLASS BRKT
8	PD020002		10 X 1/2 PH.TR.HD.SMS.
9	A20012192		DOOR LATCH COVER
10	G9102747		DR LINER ASY(VDSC30/48)REP H9102173
11	A2002189		DOOR GLASS STANDOFF (VDSC)
12	PE060064		WINDOW PACK, SELF CLEANING OVEN 30
13	PB070041		SUB TO 000623-000 - DOOR GASKET(3/8DIA.) (VDSC)
14	G9102745		DR PG ASSY VDSC30/48 RE H9102175
15	PB070076		WOOL INSULATION 1 X 21 X 3`
16	PB070150		FIBERGLASS ROPE, 3/8 DIA.
17	PE060039		GLASS-HEAT TREATED (HB2) VDSC
18	A2007943		GLASSPACK BRACKET, LARGE
19	A2002498		HINGE POCKET COVER RH
20	PD020014		10X3/4 PH TR HD SMS
21	A2002499		HINGE POCKET COVER LH
22	A2002497		DOOR GUIDE ANGLE VDSC
23	PE060031		J-MOLD (LARGE WINDOW)
	PE060045		J-MOLD (LARGE WINDOW) XBRX
24	PB070145		SUPERWOOL 5 X 24 X 3`
25	J1002594		OVEN DR HEAT SINK (VDSC30)
26	PD020032		SRW-8(A)X3/8PH.WFR HD 7/16DIAXNICL
NI	G3202549AL		DOOR SUB-ASSY- RH XALX (VDSC48)
	G3202549ALBR		DOOR SUB-ASSY- RH XALXXBRX (VDSC48)
	G3202549BK		DOOR SUB-ASSY- RH XBKX (VDSC48)
	G3202549BKBR		DOOR SUB-ASSY- RH XBKXXBRX (VDSC48)
	G3202549BT		DOOR SUB-ASSY-RH XBTX (VDSC48)
	G3202549BTBR		DOOR SUB-ASSY- RH XBTXXBRX (VDSC48)
	G3202549BU		DOOR SUB-ASSY- RH XBUX (VDSC48)
	G3202549BUBR		DOOR SUB-ASSY- RH XBUXXBXX (VDSC48)
	G3202549CB		DOOR SUB-ASSY-RH XCBX (VDSC48)
	G3202549CBBR		DOOR SUB-ASSY- RH XCBXXBRX (VDSC48)
	G3202549EP		DOOR SUB-ASSY- RH XEPX (VDSC48)
	G3202549EPBR		DOOR SUB-ASSY-RH XEPXXBRX (VDSC48)
	G3202549FG		DOOR SUB-ASSY- RH XFGX (VDSC48)
	G3202549FGBR		DOOR SUB-ASSY- RH XFGXXBRX (VDSC48)
	G3202549GG		DOOR SUB-ASSY-RH XGGX (VDSC48)
	G3202549GGBR		DOOR SUB-ASSY- RH XGGXBRX (VDSC48)
	G3202549LE		DOOR SUB-ASSY-RH XLEX (VDSC48)
	G3202549LEBR		DOOR SUB-ASSY- RH XLEXXBRX (VDSC48)

Ref #	Part Number	Qty.	Description
	G3202549LEBR		DOOR SUB-ASSY- RH XLEXXBRX (VDSC48)
	G3202549MJ		DOOR SUB-ASSY-RH XMJX (VDSC48)
	G3202549MJBR		DOOR SUB-ASSY-RH XMJXXBRX (VDSC48)
	G3202549SG		DOOR SUB-ASSY- RH XSGX (VDSC48)
	G3202549SGBR		DOOR SUB-ASSY- RH XSGXXBRX (VDSC48)
	G3202549SS		DOOR SUB-ASSY- RH XSSX (VDSC48)
	G3202549SSBR		DOOR SUB-ASSY- RH XSSXXBRX (VDSC48)
	G3202549VB		DOOR SUB-ASSY- RH XVBX (VDSC48)
	G3202549VBBR		DOOR SUB-ASSY- RH XVBXXBRX (VDSC48)
	G3202549WH		DOOR SUB-ASSY- RH XWHX (VDSC48)
	G3202549WHBR		DOOR SUB-ASSY- RH XWHXXBRX (VDSC48)

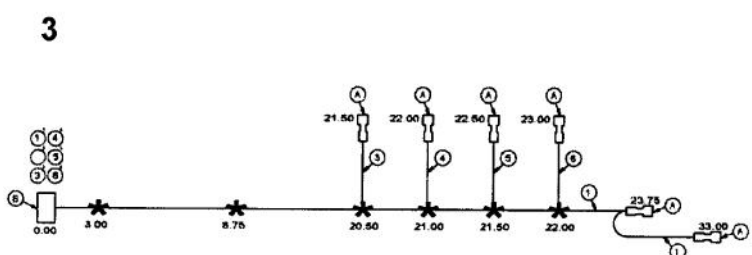
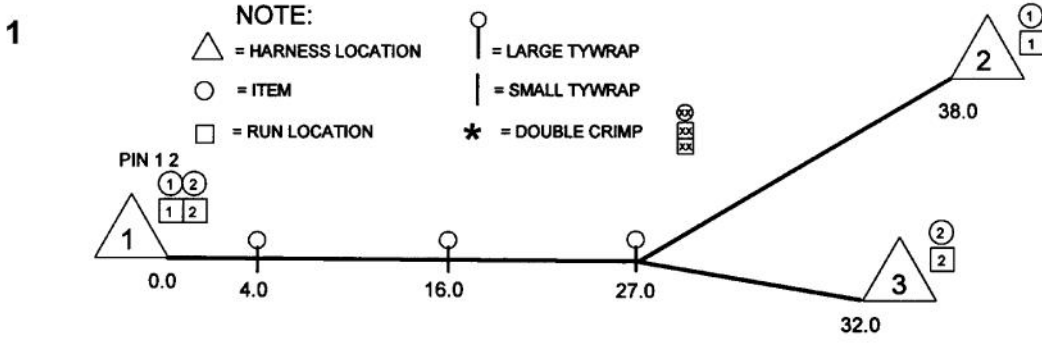


**3**

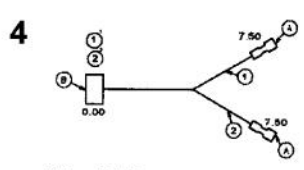
NOTE: EACH "KIT" WILL CONTAIN SEVERAL SETS OF IGNITOR WIRES (AS SHOWN BELOW). THESE SHOULD BE BUNDLED TOGETHER WITH TAPE & LABELED WITH THE KIT PURC. # , AND THE MODEL USAGE #.



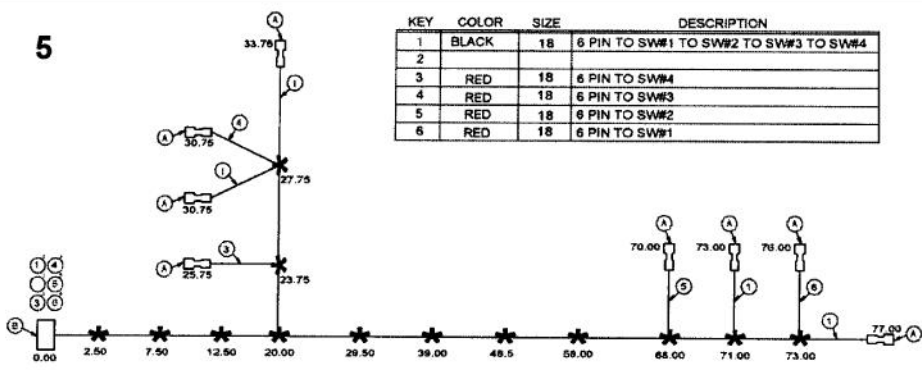
Ref #	Part Number	Qty.	Description
1	G4001656		SPARK MODULE GROUND WIRE
2	G4000935		BAKE/BROIL JUMPER WIRE - VGR/VCM
3	PE070750		IGNITOR WIRE KIT - VGSC487 - 4G
4	G40013897		PIGGYBACK JUMPER WIRE



KEY	COLOR	SIZE	DESCRIPTION
1	BLACK	18	6 PIN TO MODULE L1 TO TERMINAL BLOCK L1
2			
3	RED	18	6 PIN TO MODULE 4
4	RED	18	6 PIN TO MODULE 3
5	RED	18	6 PIN TO MODULE 2
6	RED	18	6 PIN TO MODULE 1



KEY	COLOR	SIZE	DESCRIPTION
1	RED	18	2 PIN TO GRIDDLE SAFTY VALVE
2	WHITE	18	2 PIN TO GRIDDLE SAFTY VALVE

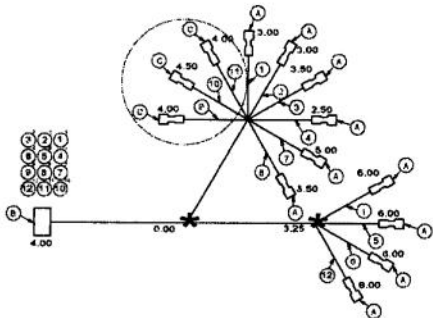


KEY	COLOR	SIZE	DESCRIPTION
1	BLACK	18	6 PIN TO SW#1 TO SW#2 TO SW#3 TO SW#4
2			
3	RED	18	6 PIN TO SW#4
4	RED	18	6 PIN TO SW#3
5	RED	18	6 PIN TO SW#2
6	RED	18	6 PIN TO SW#1

Ref #	Part Number	Qty.	Description
1	PE070616		HARNESS - DISCONNECT POWER (PLUG)
2	PE070615		HARNESS - DISCONNECT POWER (CAP)
3	PE070407		VGSC486-4G MODULE HARNESS
4	PE070409		GRIDDLE HARNESS
5	PE070399		VGSC486-4G IGNITOR SWITCH HARNESS

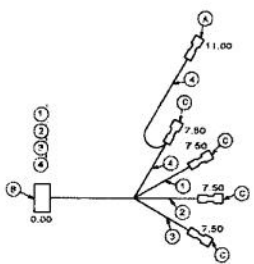
1

KEY	COLOR	SIZE	DESCRIPTION
1	BLACK	18	12 PIN TO L1 TO T4
2	WHITE	18	12 PIN TO NEUTRAL
3	YEL/RED	18	12 PIN TO LS1
4	WH/VIO	18	12 PIN TO LS2
5	WH/RED	18	12 PIN TO T3
6	YEL/ORG	18	12 PIN TO T2
7	RED/WH	18	12 PIN TO SEL
8	WH/BLK	18	12 PIN TO M1
9	YEL/GRN	18	12 PIN TO VC
10	RED/BLUE	18	12 PIN TO SENSOR 4
11	WH/GRN	18	12 PIN TO SENSOR 5
12	WH/ORG	18	12 PIN TO T1



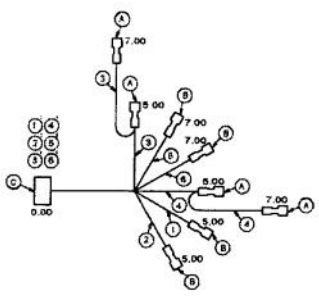
2

KEY	COLOR	SIZE	DESCRIPTION
1	RED/WH	18	4 PIN TO COIL
2	WHITE	18	4 PIN TO COIL
3	YEL/RED	18	4 PIN TO POS 7
4	YELLOW	18	4 PIN TO POS 4 TO AUTOREST #1



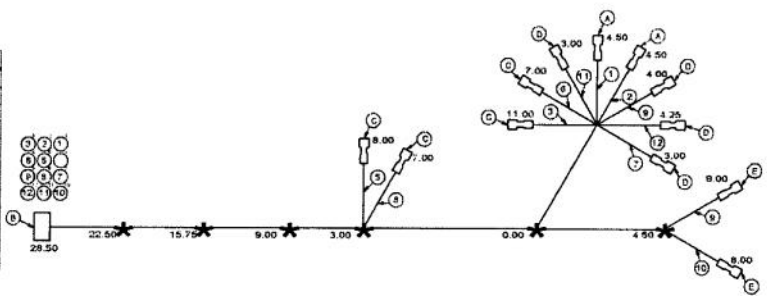
3

KEY	COLOR	SIZE	DESCRIPTION
1	RED/WH	18	6 PIN TO TRANSFORMER #2
2	WH/BLUE	18	6 PIN TO TRANSFORMER #2
3	WHITE	18	6 PIN TO TRANSFORMER #1 TO TRANSFORMER #2
4	RED/BLUE	18	6 PIN TO TRANSFORMER #1 TO TRANSFORMER #2
5	WH/BLUE	18	6 PIN TO TRANSFORMER #1
6	RED/WH	18	6 PIN TO TRANSFORMER #1



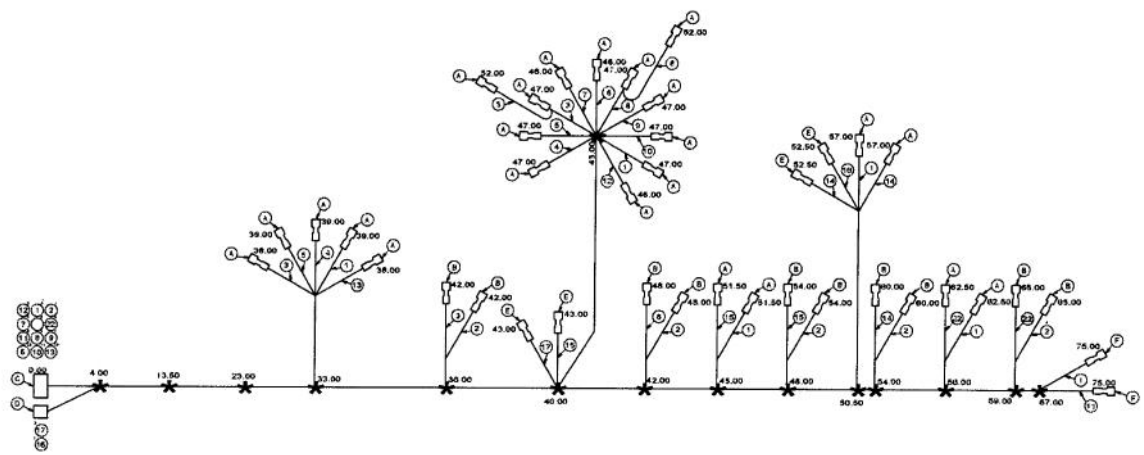
4

KEY	COLOR	SIZE	DESCRIPTION
1	BLACK	18	12 PIN TO HIGH LIMIT
2	BLACK	18	12 PIN TO HIGH LIMIT
3	BLACK	18	12 PIN TO FAN LIMIT
4			
5	WHITE	18	12 PIN TO LOCK MOTOR
6	WH/RED	18	12 PIN TO FAN LIMIT
7	YELLOW	18	12 PIN TO SWITCH #3
8	WH/BLK	18	12 PIN TO LOCK MOTOR
9	YEL/GRN	18	12 PIN TO SWITCH #2 TO SWITCH #1
10	RED/BLUE	18	12 PIN TO SWITCH #1
11	WH/GRN	18	12 PIN TO SWITCH #2
12	WH/ORG	18	12 PIN TO SWITCH #3



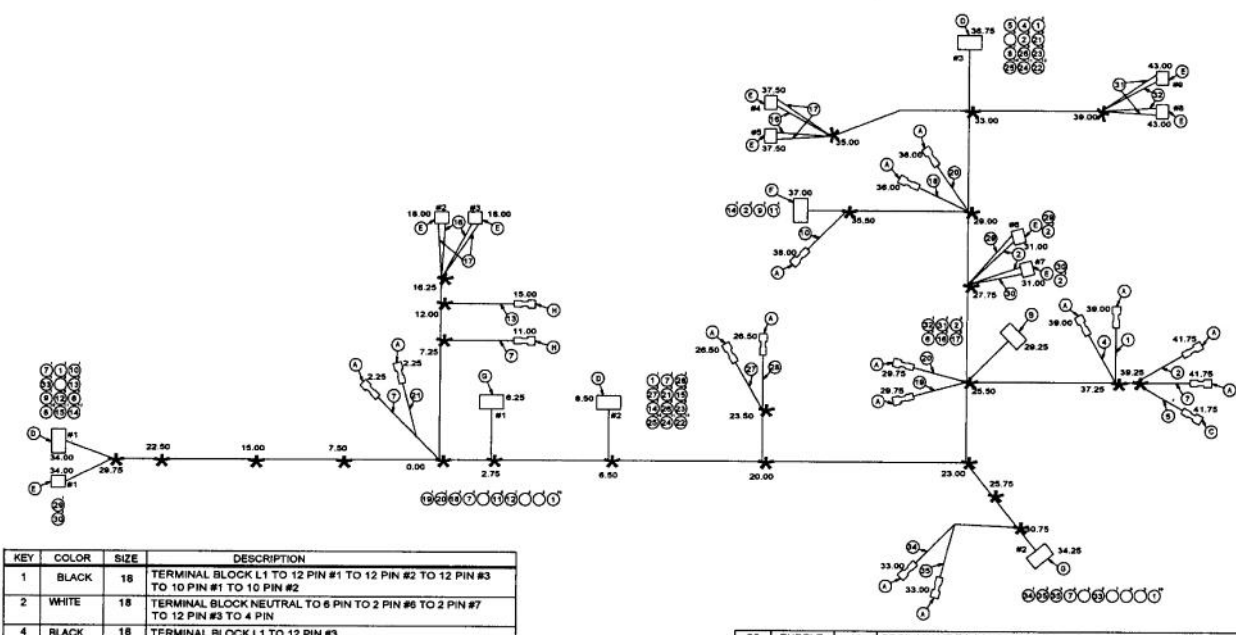
Ref #	Part Number	Qty.	Description
1	PE070390		TIMER BOARD HARNESS
2	PE070391		RELAY HARNESS
3	PE070392		TRANSFORMER HARNESS
4	PE070393		DOOR LOCK HARNESS





KEY	COLOR	SIZE	DESCRIPTION
1	BLACK	18	LIGHT SWITCH TO LH THERMOSTAT TO GRIDDLE THERMOSTAT #1 TO GRIDDLE THERMOSTAT #2 TO SELECTOR POS 5 TO THERMOSTAT POS 1 TO 12 PIN
2	WHITE	18	LH CYCLE LIGHT TO GRIDDLE LIGHT #1 TO GRIDDLE LIGHT #2 TO CLEAN LIGHT TO CYCLE LIGHT TO 12 PIN
3	WH/VIO	18	SEL POS 1 TO SEL POS 2 TO THERMOSTAT POS 2 TO CYCLE LIGHT
4	PURPLE	18	SEL POS 3 TO THERMOSTAT N.C.
5	WH/RED	18	SEL POS 4 TO THERMOSTAT N.O.
6	RED/WH	18	SEL POS 6 TO CLEAN LIGHT TO 12 PIN
7	WH/BLK	18	SEL POS 7 TO 12 PIN
8	RED	18	SEL POS 8 TO SEL POS 11 TO 12 PIN
9	YEL/RED	18	SEL POS 9 TO 12 PIN
10	YEL/ORG	18	SEL POS 10 TO 12 PIN
11	RED/BLU	18	LIGHT SWITCH TO 12 PIN
12	YEL/BLK	18	SEL POS 12 TO 12 PIN
13	YELLOW	18	THERMOSTAT COMMON TO 12 PIN
14	RED	18	GRIDDLE THERMOSTAT #1 TO GRIDDLE LIGHT #1 TO GRIDDLE IGNITOR #1
15	RED	18	GRIDDLE THERMOSTAT #2 TO GRIDDLE LIGHT #2 TO GRIDDLE IGNITOR #2
16	RED	18	GRIDDLE IGNITOR #1 TO 2 PIN
17	RED/WH	18	GRIDDLE IGNITOR #2 TO 2 PIN
22	YELLOW	18	LH THERMOSTAT TO LH CYCLE LIGHT TO 12 PIN

Ref #	Part Number	Qty.	Description
NI	PE070395		VGSC486-4G TOP HARNESS



KEY	COLOR	SIZE	DESCRIPTION
1	BLACK	18	TERMINAL BLOCK L1 TO 12 PIN #1 TO 12 PIN #2 TO 12 PIN #3 TO 10 PIN #1 TO 10 PIN #2
2	WHITE	18	TERMINAL BLOCK NEUTRAL TO 6 PIN TO 2 PIN #6 TO 2 PIN #7 TO 12 PIN #3 TO 4 PIN
4	BLACK	18	TERMINAL BLOCK L1 TO 12 PIN #3
5	BLACK	18	POWER CORD TO 12 PIN #3
6	RED/BLUE	18	12 PIN #1 TO 6 PIN
7	WHITE	18	TERMINAL BLOCK NEUTRAL TO 12 PIN #1 TO 12 PIN #2 TO 10 PIN #1 TO 10 PIN #2 TO COOLONG FAN TO CONV FAN
8	YELLOW	18	12 PIN #1 TO 12 PIN #3
9	YEL/RED	18	12 PIN #1 TO 4 PIN
10	YEL/BLK	18	12 PIN #1 TO AUTO RESET #1
11	YELLOW	18	10 PIN #1 TO 4 PIN
12	RED	18	12 PIN #1 TO 10 PIN #1
13	WH/BLK	18	12 PIN #1 TO CONVECTION FAN
14	RED/WH	18	12 PIN #1 TO 12 PIN #2 TO 4 PIN
15	YEL/ORG	18	12 PIN #1 TO 12 PIN #2
16	WH/BLU	18	6 PIN TO 2 PIN #2 TO 2 PIN #3 TO 2 PIN #4 TO 2 PIN #5
17	RED/WH	18	6 PIN TO 2 PIN #2 TO 2 PIN #3 TO 2 PIN #4 TO 2 PIN #5
18	BROWN	18	BROIL VALVE TO 10 PIN #1
19	GRAY	18	BAKE VALVE TO 10 PIN #1

20	PURPLE	18	BROIL VALVE TO BAKE VALVE TO 10 PIN #1
21	WH/RED	18	12 PIN #2 TO 12 PIN #3 TO COOLONG FAN
22	WH/ORG	18	12 PIN #2 TO 12 PIN #3
23	YEL/GRN	18	12 PIN #2 TO 12 PIN #3
24	WH/GRN	18	12 PIN #2 TO 12 PIN #3
25	RED/BLU	18	12 PIN #2 TO 12 PIN #3
26	WH/BLK	18	12 PIN #2 TO 12 PIN #3
27	WH/VIO	18	12 PIN #2 TO AUTO RESET #2
28	YEL/RED	18	12 PIN #2 TO AUTO RESET #2
29	RED	18	2 PIN #1 TO 2 PIN #6
30	YEL/RED	18	2 PIN #1 TO 2 PIN #7
31	WH/BLU	18	6 PIN TO 2 PIN #8 TO 2 PIN #9
32	RED/WH	18	6 PIN TO 2 PIN #8 TO 2 PIN #9
33	YELLOW	18	12 PIN #1 TO 10 PIN #2
34	GRAY	18	10 PIN #2 TO LH BACK VALVE
35	PURPLE	18	10 PIN #2 TO 10 PIN #2 TO LH BACK VALVE

Ref #	Part Number	Qty.	Description
NI	PE070389		VGSC486 REAR MAIN HARNESS