

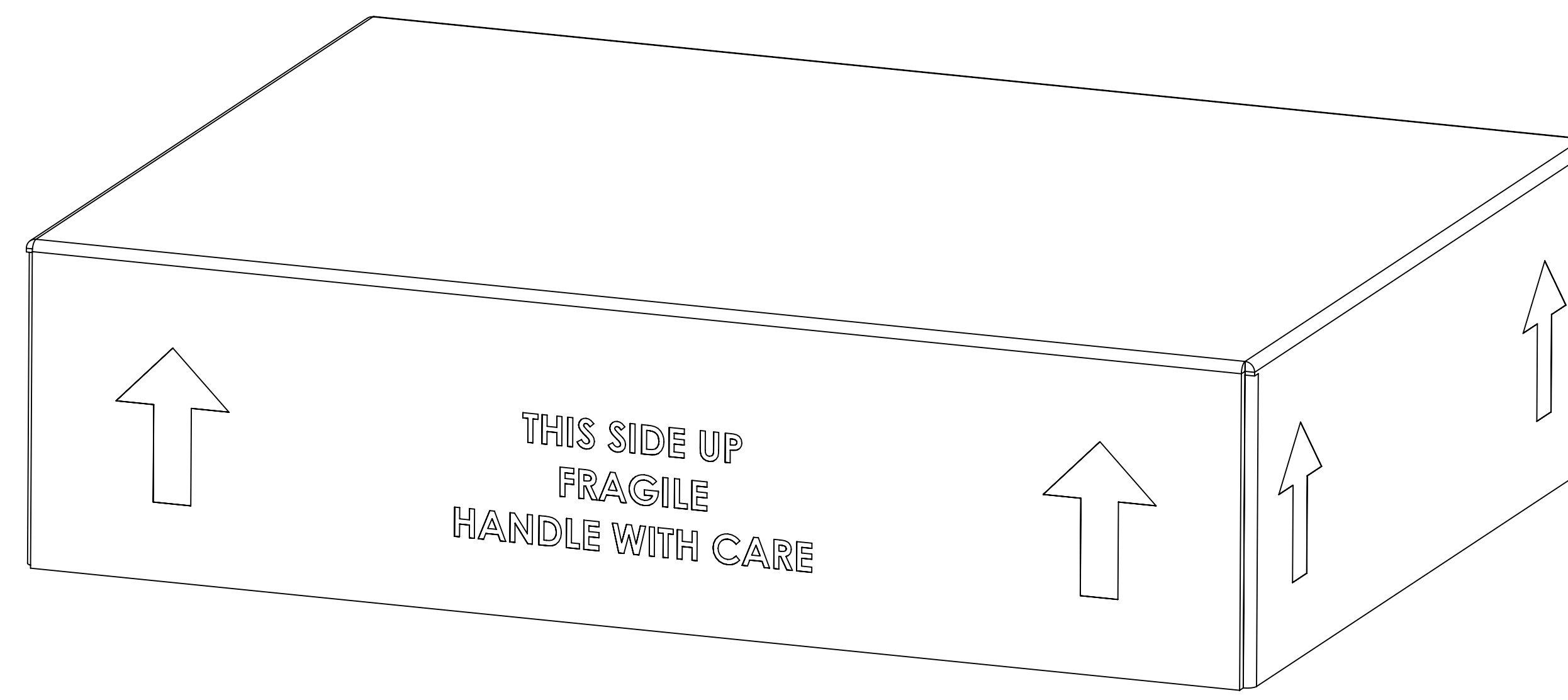
**Screw Legend**

<b>10403.00</b>	<b>Scr 8-32 X 1/4 PH PN T Zinc</b>	<b>20</b>
	Spark Module 10584.00 (2) ea	10
	Burner Bracket 12029.01 (2) ea	4
	Burner Bracket 11870.00 (2) ea	6
<b>10457.00</b>	<b>Scr 8-32 X 3/8 PH TF Zinc Wax</b>	<b>4</b>
	Hold Down Bracket 10605.00 (2) ea	4
<b>10546.00</b>	<b>Scr 8 x 3/8 PH PN TEK 400 SS</b>	<b>4</b>
	Manifold Pipe 11800.00 (4) ea	4
<b>10682.00</b>	<b>Scr 10-32 X 1" PH PN HD Zinc</b>	<b>2</b>
	Hold Down Bracket 10605.00 (1) ea	2
<b>11682.00</b>	<b>Scr 6-32 X 1/4 PH FI M/S Undercut 410 Stainless Type - F</b>	<b>6</b>
	Maintop 11866.03 (4) ea	4
	Valve Panel Cover 11871.01 (2) ea	2
<b>11931.00</b>	<b>Scr M4 X 0.7 X 8 PH FIL SII &amp; Dual Burner, Upper</b>	<b>10</b>
	Injector Holder Assy SII 132 (2) ea 11926.01	4
	Injector Holder Assy SII 155 (2) ea 11926.02	2
	Injector Holder Assy Dual 165 (2) ea 11935.01	2
	Injector Holder Assy Dual 195 (2) ea 11935.03	2
<b>11934.03</b>	<b>Scr M3 X .5 X .6 PH PN TAPTITE SII &amp; Dual Burner Lower</b>	<b>6</b>
	Injector Holder Assy SII 132 (2) ea 11926.01	4
	Injector Holder Assy SII 155 (2) ea 11926.02	2

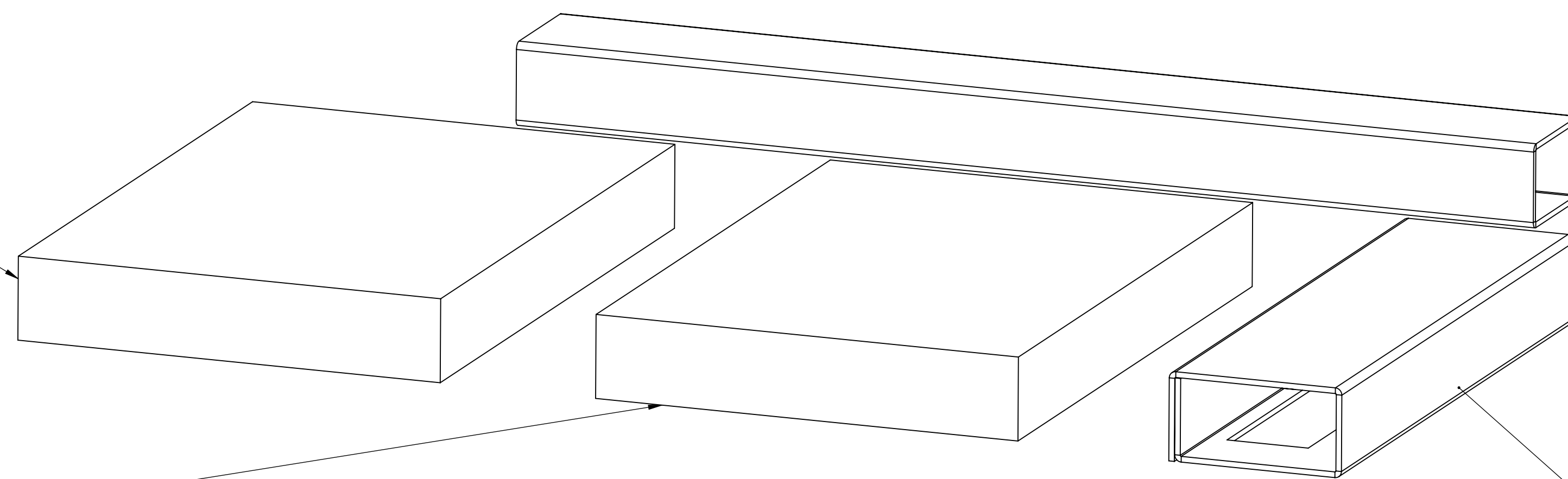
Tubing & Connector Legend

Item	Tubing	Injector Connector	Valve Connector
A	5/16 Dia 10584.00	11932.02	10586.00
		11933.01	10587.00
B	1/4 Dia 12009.00	11932.03	11932.02
		11933.02	11933.03
C	5/16 Dia 10584.00	11932.02	11932.01
		11933.01	11933.01





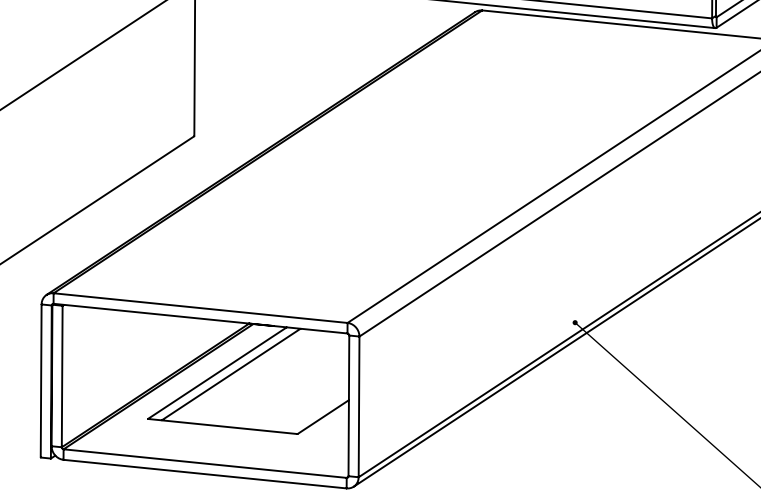
12019.00 Carton W\_Graphic



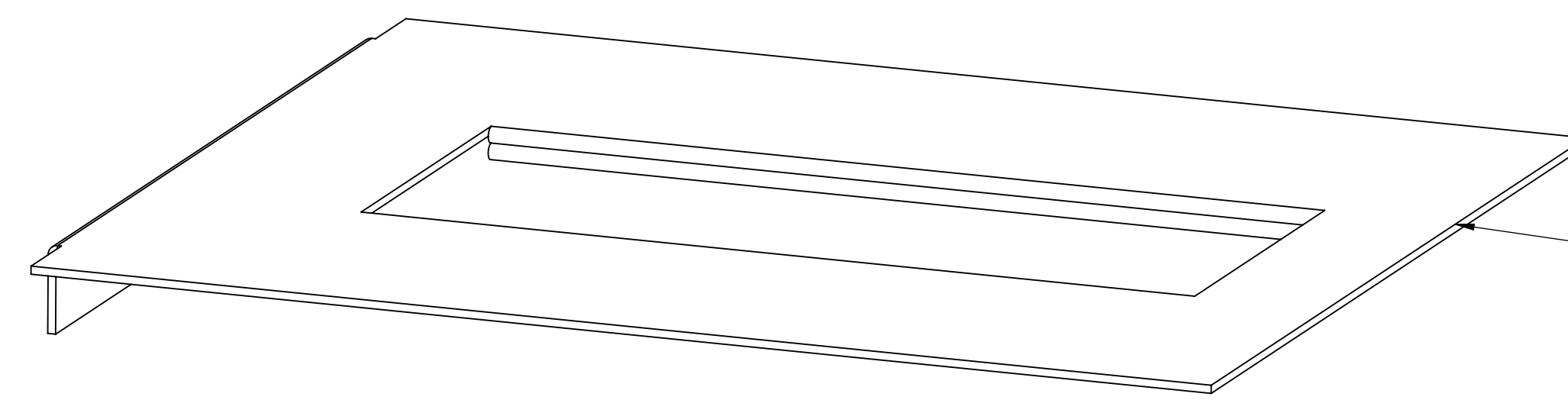
11704.00 Grate CTSG305DS

12023.00 Rear Filler CTSG305

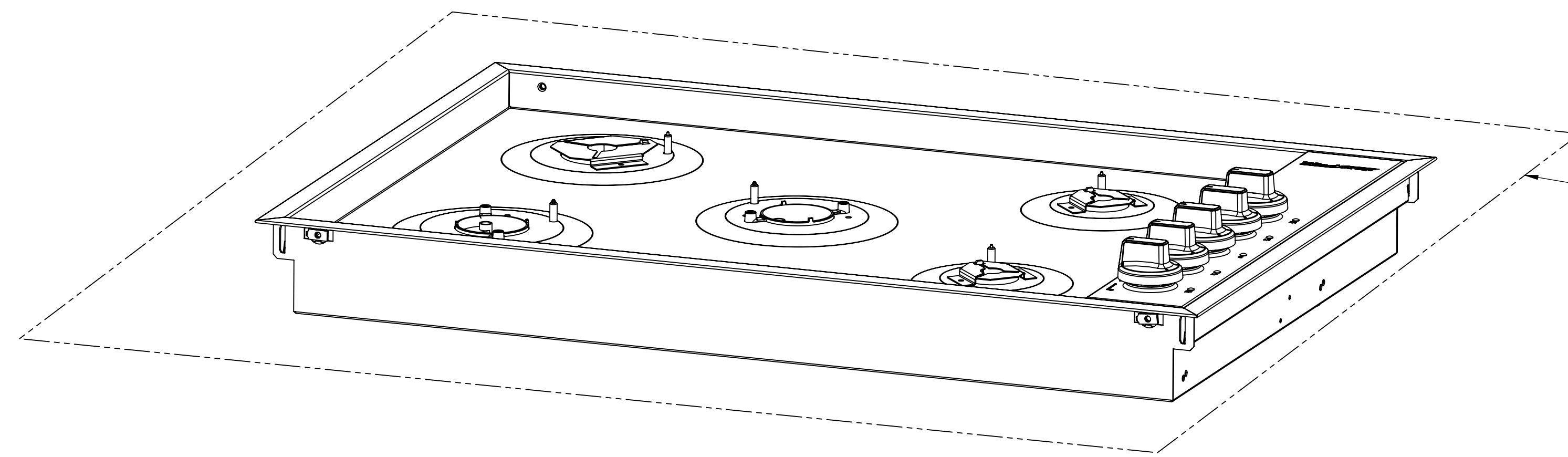
11704.00 Grate CTSG305DS



12024.00 Filler - Knob Cover Spacer CTSG305

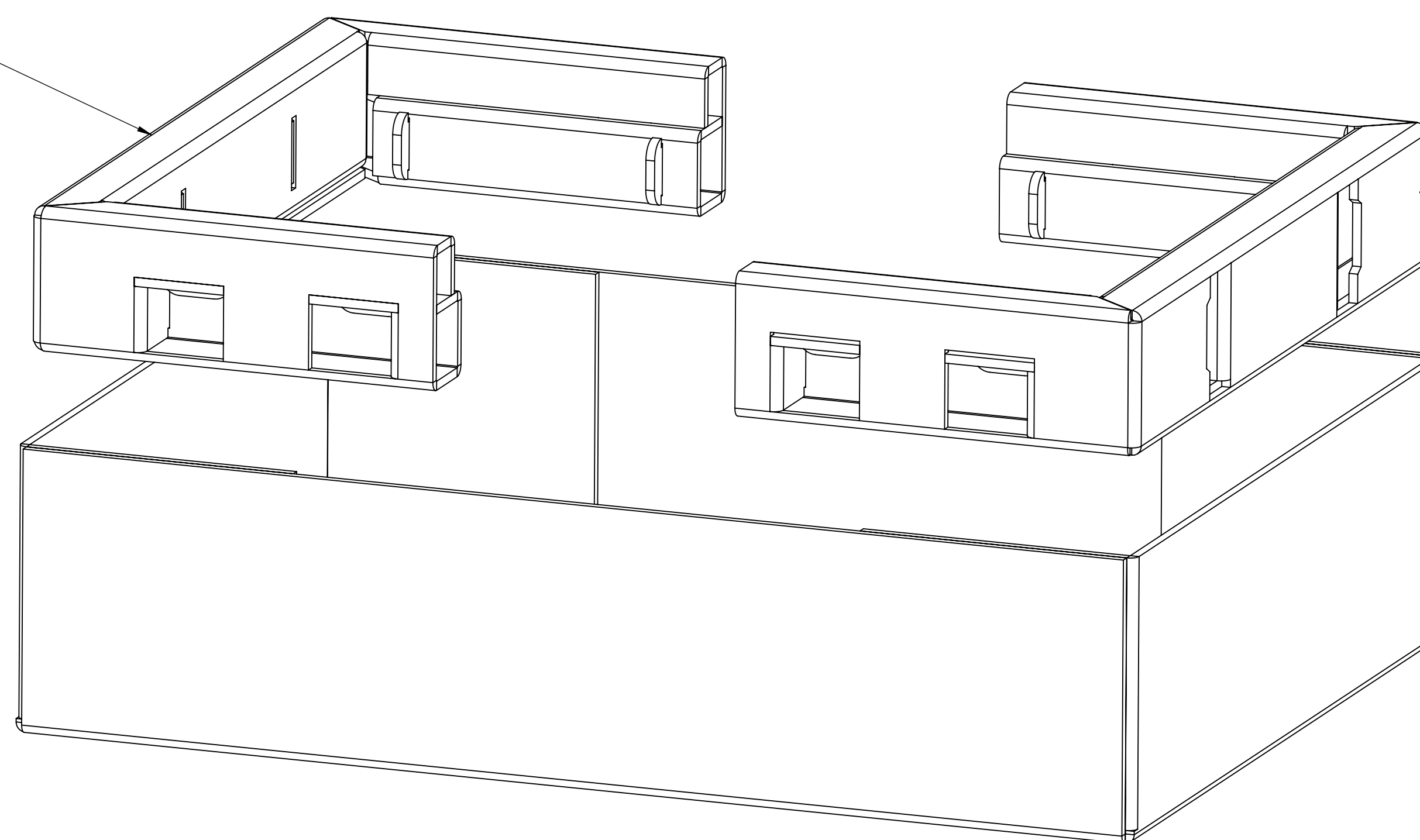


12025.00 Carton Top Filler CTSG305



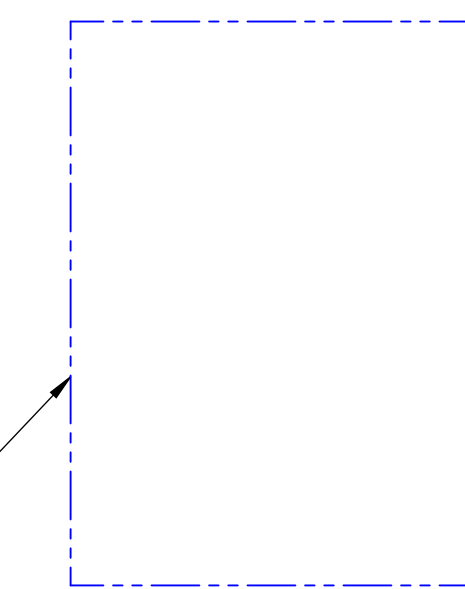
Plastic Sheet 10476.00

11775.00 End Filler CTSG



11775.00 End Filler CTSG

10626.00 Carton Bottom



- Literature Pack
- 1 - 10471.00 Poly Bag
  - 1 - 11485.00 Installation Instruction CTSG Models
  - 1 - 11484.00 Care & Use CTSG Models
  - 1 - 10964.00 Registration Card

- Accessory Pack
- 1 - 10731.00 Jiffy Bag
  - 1 - 10605.00 Hold Down Bracket, W/Screw
  - 1 - 11921.00 Regulator
  - 8.2 - 10581.00 Gasket, Frame

