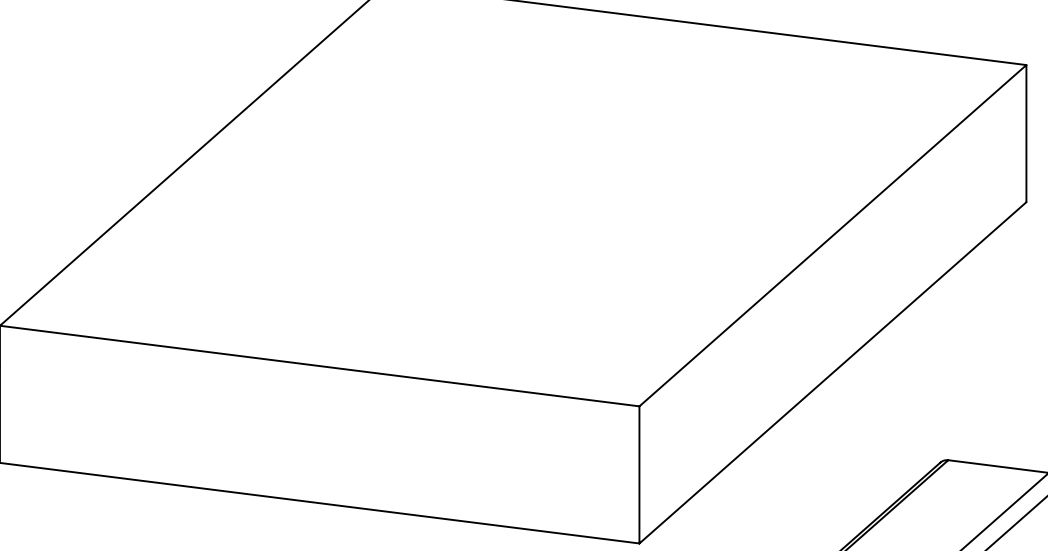
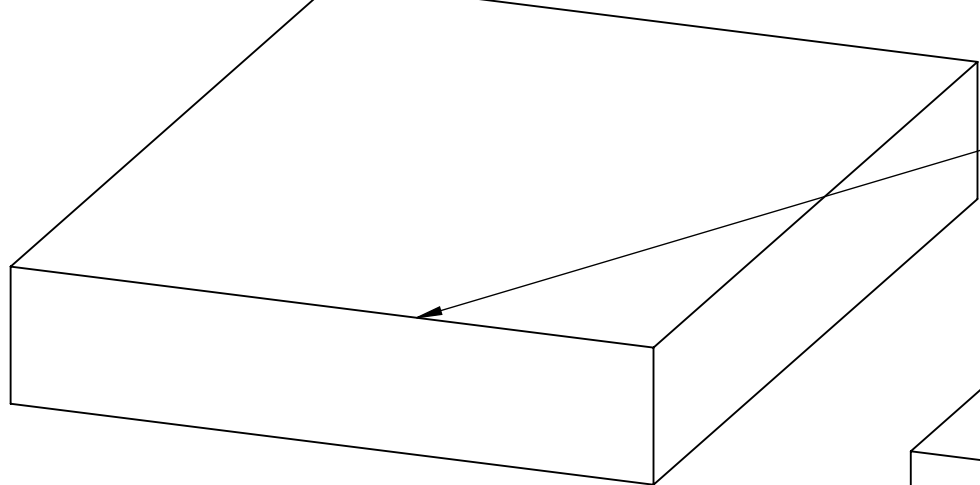


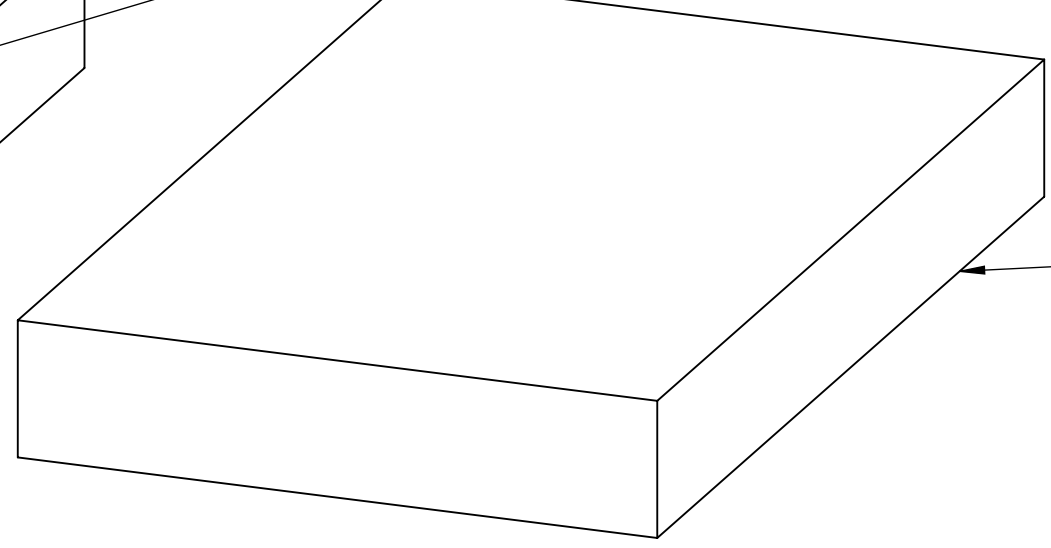
12020.00 Carton W-Graphic CTSG365



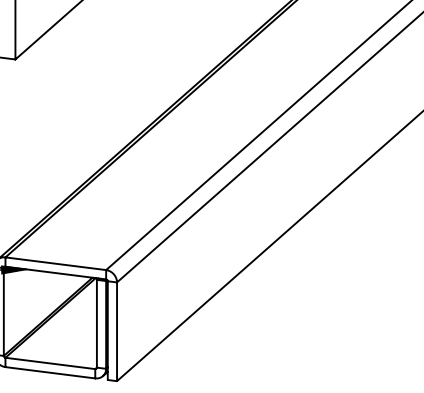
11702.00 Grate Side CTSG365



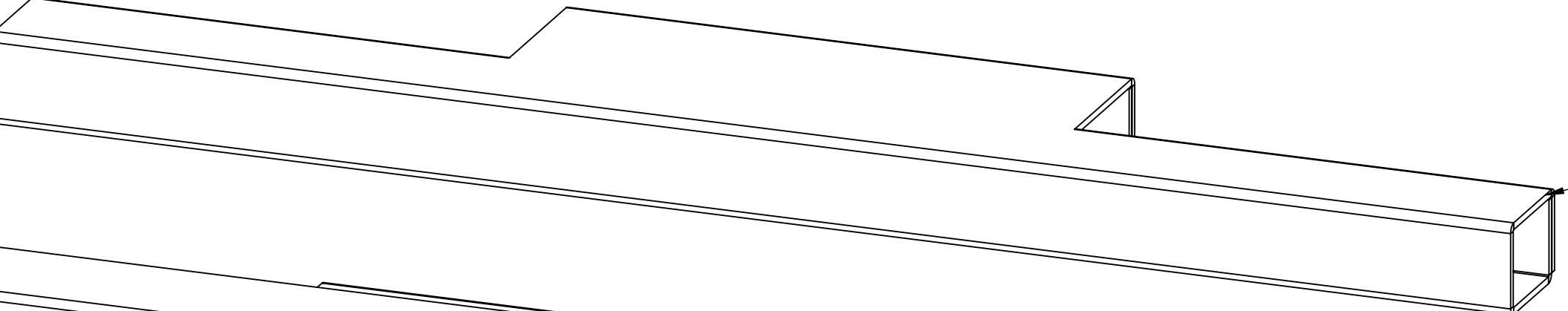
11703.00 Grate Center CTSG365



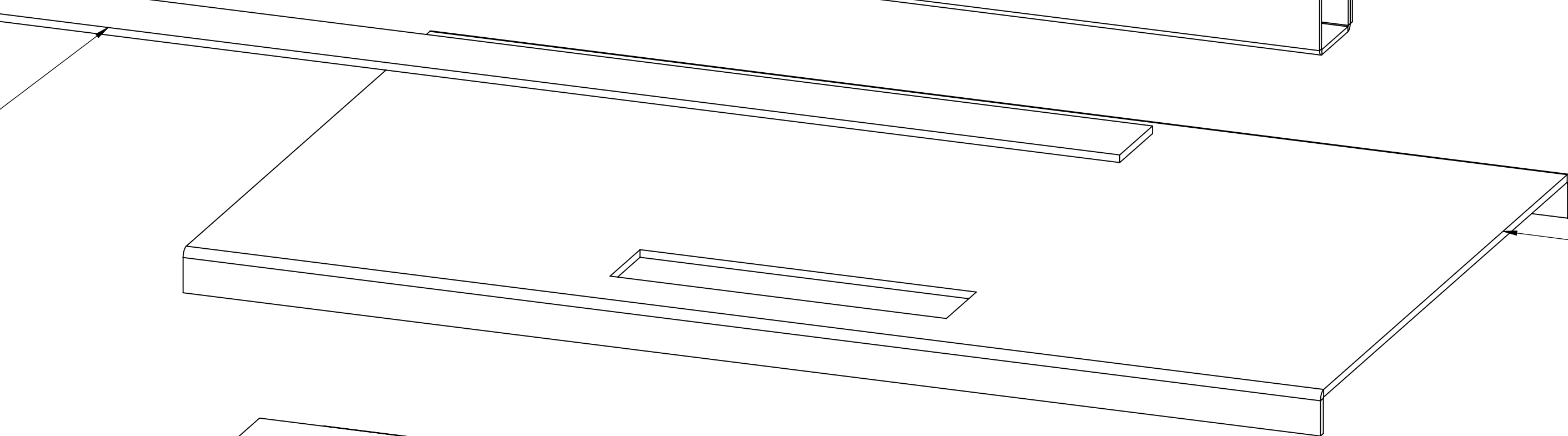
11702.00 Grate Side CTSG365



10616.00 Grate Spacer

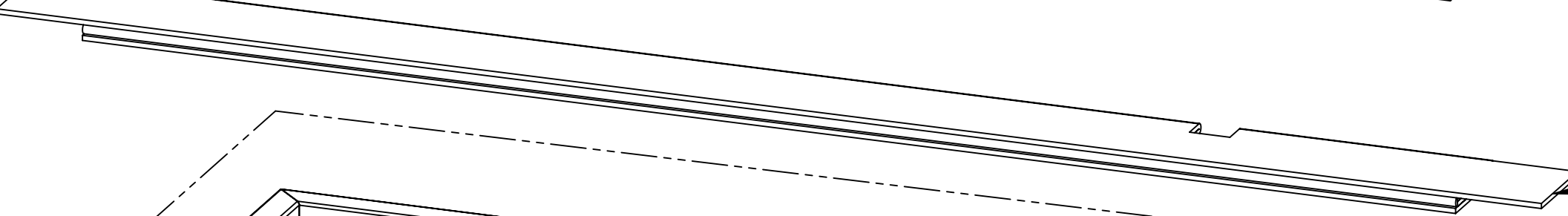


10610.00 Front Filler

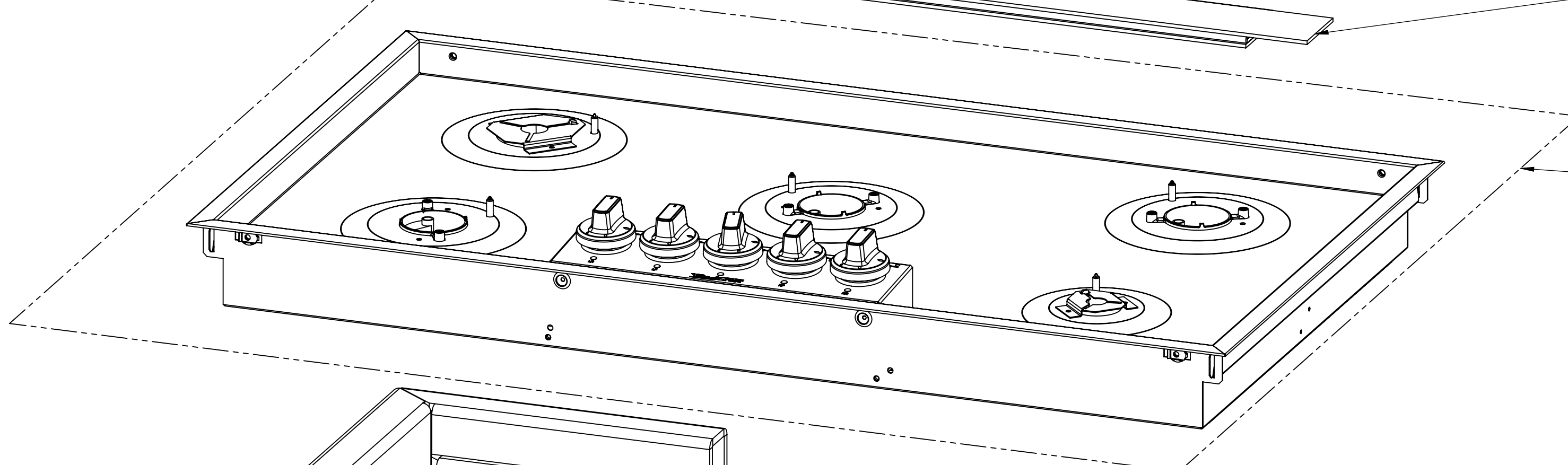


10612.00 Top Filler 36

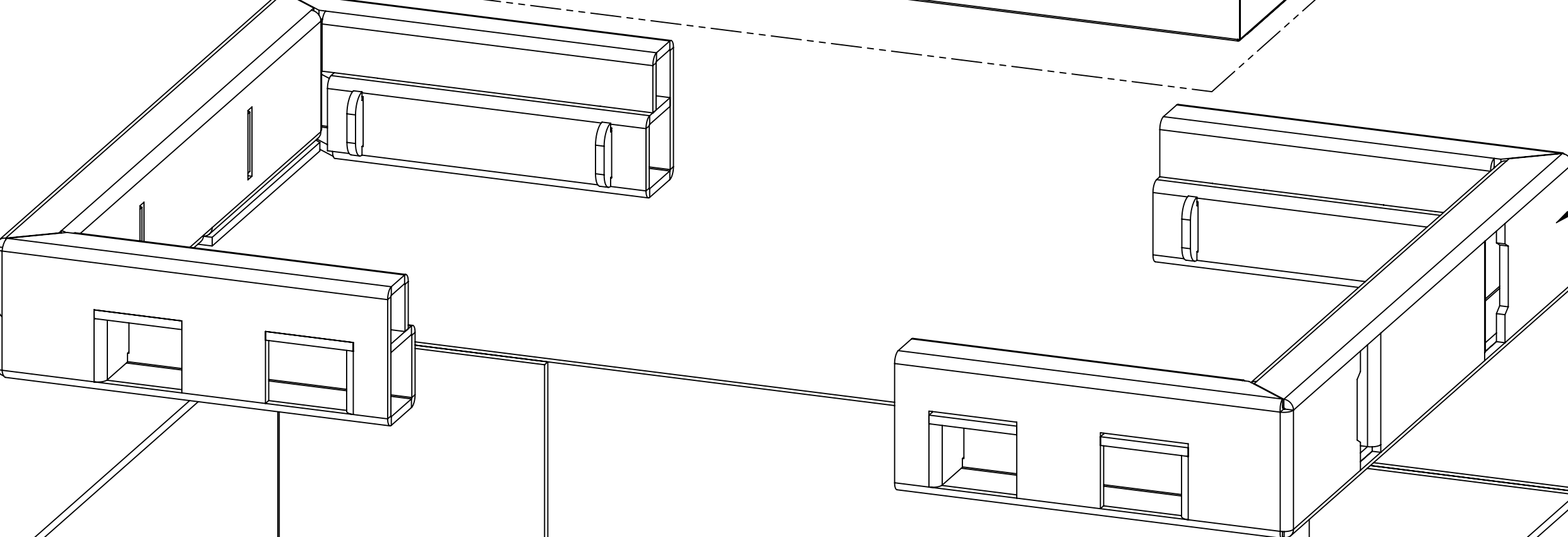
12022.00 Filler Control Knob Area



10685.00 Filler, Burner Head Supt, 36



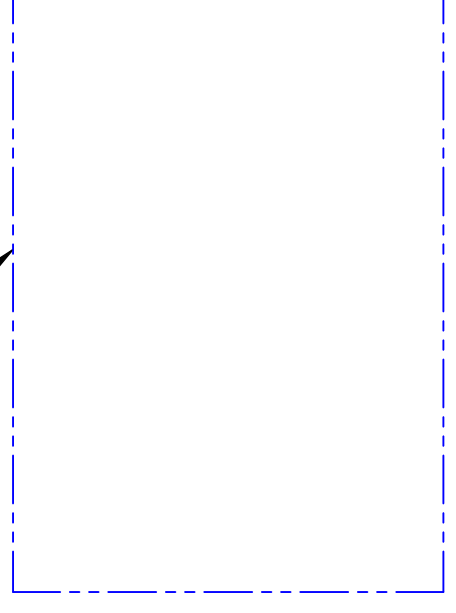
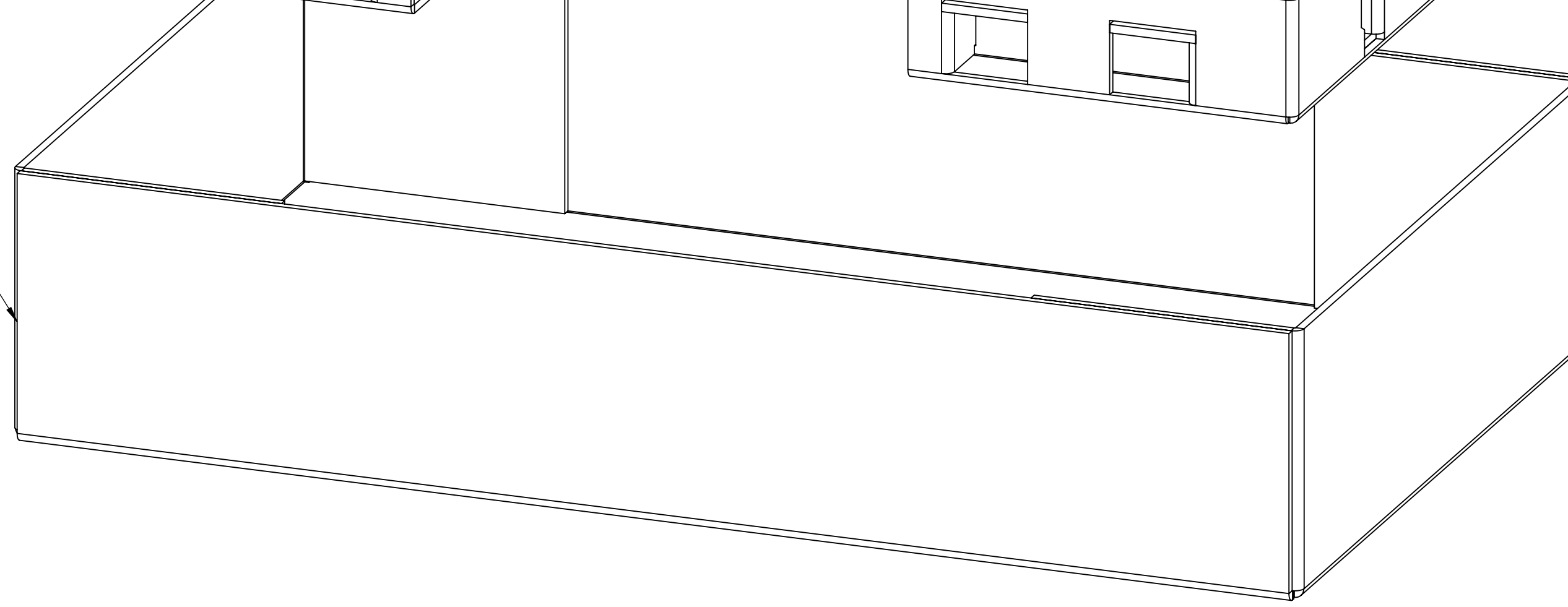
10476.00 Plastic Sheet



11775.00 End Filler CTSG

11775.00 End Filler CTSG

10614.00 Carton Bottom



- Literature Pack
- 1 - 10471.00 Poly Bag
- 1 - 11485.00 Installation Instruction CTSG Models
- 1 - 11484.00 Care & Use CTSG Models
- 1 - 10964.00 Registration Card

- Accessory Pack
- 1 - 10731.00 Jiffy Bag
- 1 - 10605.00 Hold Down Bracket W/Screw
- 1 - 11921.00 Regulator
- 9.5 - 10581.00 Gasket, Frame